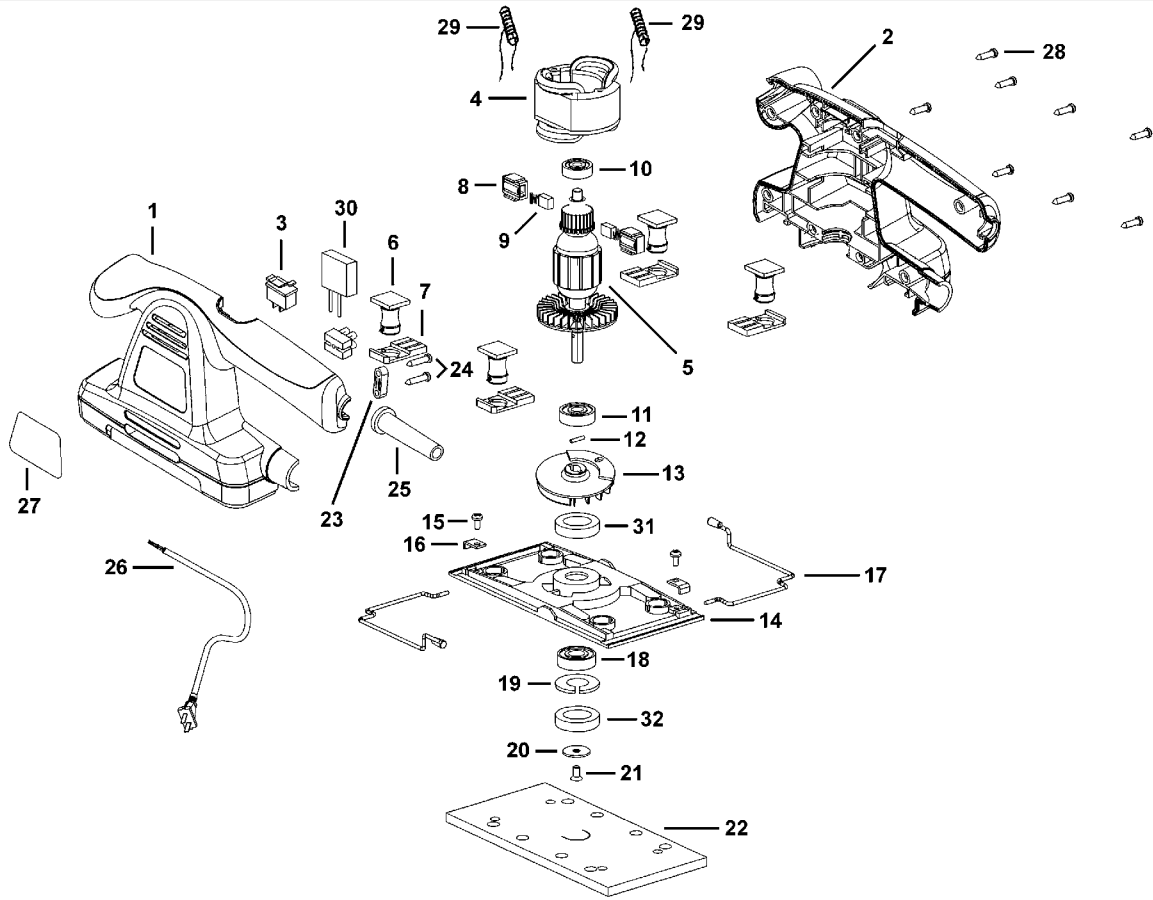


# EXZENTERSCHLEIFER

# KA197----B

## TYPE 1



©

# EXZENTERSCHLEIFER

# KA197-----B

## TYPE 1



| Pos. Nr | Ersatzteilnummer | Beschreibung | Preis                | Variants |
|---------|------------------|--------------|----------------------|----------|
| 1       | 1                | 1003295-00   | GEHAEUSE LINKS       |          |
| 2       | 1                | 1003296-00   | GEHAEUSE RECHTS      |          |
| 3       | 1                | 1003297-00   | SCHALTER             | KR       |
| 4       | 1                | 1003298-00   | FELD 230V            |          |
| 5       | 1                | 1003299-00   | ANKER ZSB            |          |
| 6       | 4                | 1003310-00   | GUMMIAUFLAGE         |          |
| 7       | 4                | 1003311-00   | LAGERHALTER,GUMMI    |          |
| 8       | 2                | 1003312-00   | KOHLEHALTER          |          |
| 9       | 2                | 1003300-00   | KOHLE                |          |
| 10      | 1                | 1003313-00   | KUGELLAGER           |          |
| 11      | 1                | 1003318-00   | KUGELLAGER           |          |
| 12      | 1                | 1003319-00   | STIFT                |          |
| 13      | 1                | 1003320-00   | LÜFTER AUSBALANCIERT |          |
| 14      | 1                | 1003301-00   | BRETT                |          |
| 15      | 2                | 1003321-00   | SCHRAUBE             |          |
| 16      | 2                | 1003322-00   | DICHTUNG             |          |
| 17      | 2                | 1003323-00   | HALTEKLAMMER         |          |
| 18      | 1                | 1003324-00   | KUGELLAGER           |          |
| 19      | 1                | 1003325-00   | RING                 |          |
| 20      | 1                | 1003326-00   | DICHTUNG             |          |
| 21      | 1                | 1003327-00   | SCHRAUBE             |          |
| 22      | 1                | 596444-00    | PLATTE               |          |
| 23      | 1                | 1003328-00   | KABELKLEMME          |          |
| 24      | 2                | 1003329-00   | SCHRAUBE             |          |
| 25      | 1                | 1003330-00   | KABELTUELLE          |          |
| 26      | 1                | 1003302-00   | KABELSATZ            | KR       |
| 27      | 1                | 1003303-00   | SCHILD               | KR       |
| 28      | 8                | 1003331-00   | SCHRAUBE             |          |
| 29      | 1                | 1003304-00   | INDUCTOR             | KR       |
| 30      | 1                | 1003332-00   | KONDENSATOR          |          |
| 31      | 1                | 1003333-00   | FILZDICHTUNG         |          |
| 32      | 1                | 1003334-00   | RING                 |          |