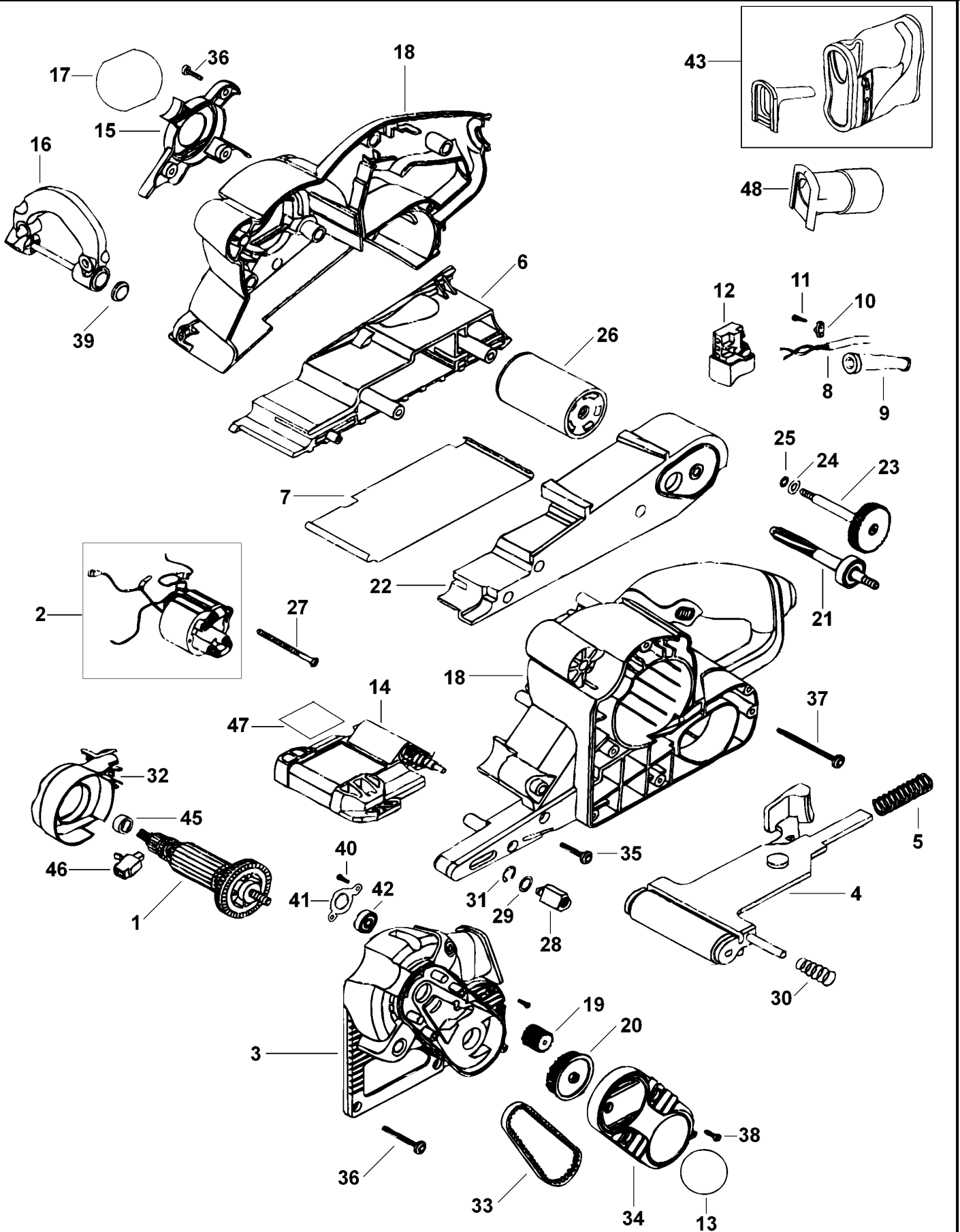


BANDSCHLEIFER

KA3000----A

TYPE 1



©

BANDSCHLEIFER

KA3000----A

TYPE 1



| Pos. Nr | Ersatzteilnummer | Beschreibung | Preis | Variants |
|---------|------------------|---------------------------|-------|----------|
| 1 | 1 | 590275-03 ANKER ZSB | | JP |
| 2 | 1 | 590276-03 FELD ZSB | | JP |
| 3 | 1 | 587202-00 ABDECKUNG | | |
| 4 | 1 | 589384-00 CARRIER SA | | |
| 5 | 1 | 587248-00 FEDER | | |
| 6 | 1 | 587207-00 ABDECKUNG | | |
| 7 | 1 | 587249-00 SCHLEIFPLATTE | | |
| 8 | 1 | 562226-47 KABELSATZ | | JP |
| 9 | 1 | 148481-00 KABELTUELLE | | |
| 10 | 1 | 329301-00 KABELKLEMME | | JP |
| 11 | 2 | 370748 SCHRAUBE | | |
| 12 | 1 | 587233-00 SCHALTER ZSB | | |
| 13 | 1 | 478715-00 AUFKLEBER | | JP |
| 14 | 1 | 590279-00 DECKEL ZSB | | |
| 15 | 1 | 587209-00 RAHMEN | | |
| 16 | 1 | 590280-00 GRIFF ZSB | | |
| 17 | 1 | 478974-00 TYPENSCHILD | | JP |
| 18 | 1 | 590278-00 GEHAEUSEPAAR | | |
| 19 | 1 | 587261-00 ANTRIEBSPULLEY | | |
| 20 | 1 | 587262-00 ANTRIEBSPULLEY | | |
| 21 | 1 | 588489-00 WELLE ZSB | | |
| 22 | 1 | 588478-00 ANBAUHALTERUNG | | |
| 23 | 1 | 588477-00 ANTRIEBSWELLE | | |
| 24 | 1 | 587230-00 WASHER THRUST | | |
| 25 | 1 | 587229-00 WASHER THRUST | | |
| 26 | 1 | 588491-00 ANTRIEBSROLLE | | |
| 27 | 2 | 330065-21 SCHRAUBE | | |
| 28 | 1 | 587224-00 KNOPF ZSB | | |
| 29 | 1 | 587226-00 UNTERLEGSCHEIBE | | |
| 30 | 1 | 588059-00 FEDER | | |
| 31 | 1 | 058836-00 HALTER | | |
| 32 | 1 | 587203-00 ABDECKUNG | | |
| 33 | 1 | 587263-00 RIEMEN | | |
| 34 | 1 | 587204-00 RIEMENDECKEL | | |
| 35 | 3 | 330065-16 SCHRAUBE | | |
| 36 | 11 | 330065-08 SCHRAUBE | | |
| 37 | 2 | 330065-12 SCHRAUBE | | |
| 38 | 5 | 330065-06 SCHRAUBE | | |
| 39 | 1 | 590465-00 EINSATZ | | |
| 40 | 2 | 330065-06 SCHRAUBE | | |
| 41 | 1 | 587260-00 CARRIER | | |
| 42 | 1 | 573119-02 KUGELLAGER | | |
| 43 | 1 | 588562-01 STAUBBEUTEL ZSB | | |
| 45 | 1 | 574853-04 KUGELLAGER | | |
| 46 | 2 | 588563-00 KOHLE ZSB | | JP |
| 47 | 1 | 587266-00 SCHILD | | |
| 48 | 1 | 587843-00 VAKUUMADAPTER | | |