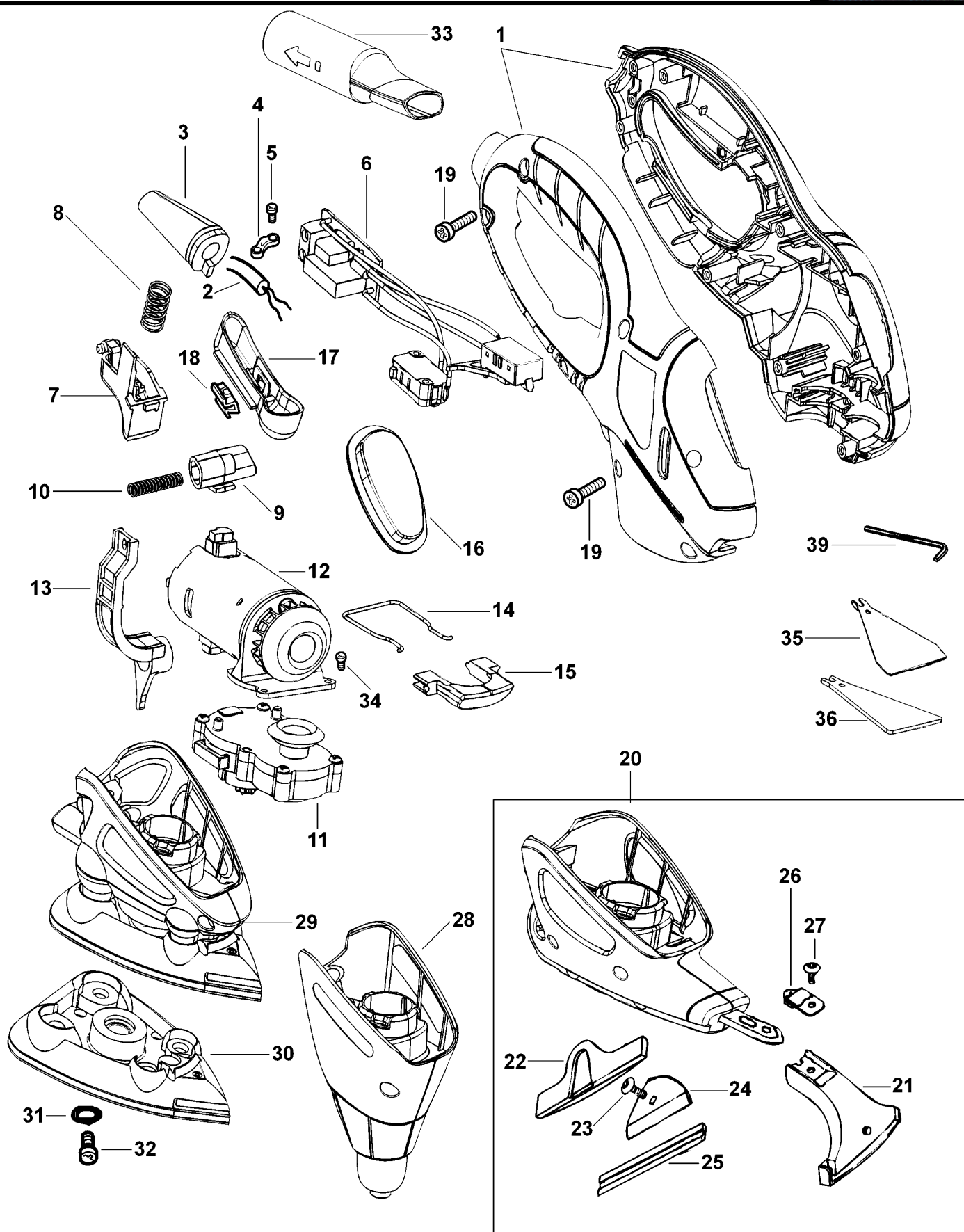


# TAPETENABLÖSER

# MT3000K---A

## TYPE 1



©

# TAPETENABLÖSER

# MT3000K---A

## TYPE 1



| Pos. Nr | Ersatzteilnummer | Beschreibung | Preis              | Variants         |
|---------|------------------|--------------|--------------------|------------------|
| 1       | 1                | 588995-00    | GEHAEUSEPAAR       |                  |
| 2       | 1                | 330080-03    | KABELSATZ (EURO)   | ZA               |
| 2       | 1                | 330080-03    | KABELSATZ (EURO)   | QS               |
| 2       | 1                | 589164-00    | KABELSATZ          | GB               |
| 3       | 1                | 588171-00    | KABELTUELLE        |                  |
| 4       | 1                | 329301-00    | KABELKLEMME        |                  |
| 5       | 2                | 370748       | SCHRAUBE           |                  |
| 6       | 1                | 488037-02    | SCHALTER + PCB ZSB |                  |
| 7       | 1                | 588170-00    | SCHALTGRIFF        |                  |
| 8       | 1                | 477682-00    | FEDER              |                  |
| 9       | 1                | 589108-00    | TRIGGER LOCK-ON    |                  |
| 10      | 1                | 477681-00    | FEDER              |                  |
| 11      | 1                | 588086-01    | GETR.GEH.          |                  |
| 12      | 1                | 477679-02    | MOTOR ZSB          |                  |
| 13      | 1                | 588242-00    | ANTRIEB            | UP TO DC 2005-24 |
| 13      | 1                | 588242-01    | ANTRIEB            | From DC 2005-25  |
| 14      | 1                | 588144-00    | FEDER              |                  |
| 15      | 1                | 588332-00    | KNOPF              |                  |
| 16      | 1                | 477918-00    | EINSATZ            |                  |
| 17      | 1                | 589366-00    | CARRIER            |                  |
| 18      | 1                | 148354-03    | HALTER             |                  |
| 19      | 7                | 747329       | SCHRAUBE           |                  |
| 20      | 1                | 588002-02    | KOPF ZSB           |                  |
| 21      | 1                | 588009-00    | KOPF               |                  |
| 22      | 1                | 477047-00    | ABDECKUNG          |                  |
| 23      | 1                | 478004-00    | SCHRAUBE           |                  |
| 24      | 1                | 588005-00    | MESSERKLEMME       |                  |
| 25      | 1                | 588010-00    | MESSER             |                  |
| 26      | 1                | 590103-00    | HALTER             |                  |
| 27      | 1                | 478004-00    | SCHRAUBE           |                  |
| 28      | 1                | 588518-00    | KOPF ZSB           |                  |
| 29      | 1                | 588113-00    | KOPF ZSB           |                  |
| 30      | 1                | 588788-00    | PLATTE             |                  |
| 31      | 1                | 477106-00    | UNTERLEGSCHLEIFE   |                  |
| 32      | 1                | 479504-00    | SCHR TORX          |                  |
| 33      | 1                | 589477-00    | VAKUUMADAPTER      |                  |
| 34      | 2                | 588469-00    | SCHRAUBE           |                  |
| 35      | 1                | 590102-00    | MESSER             |                  |
| 36      | 1                | 590133-00    | MESSER             |                  |
| 39      | 1                | 589222-00    | IMBUSSCHL. 2.5MM   |                  |