

Stand 01.02.2002

# ERSATZTEILLISTE

## ECHO Motorsäge CS-3500

ECHO-Motorgeräte  
Vertrieb Deutschland GmbH  
Otto-Schott-Str. 7

72555 Metzingen

Telefon 07123-1091  
Telefax 07123-2589  
<http://www.echo-shop.de>  
email: [info@echo-shop.de](mailto:info@echo-shop.de)

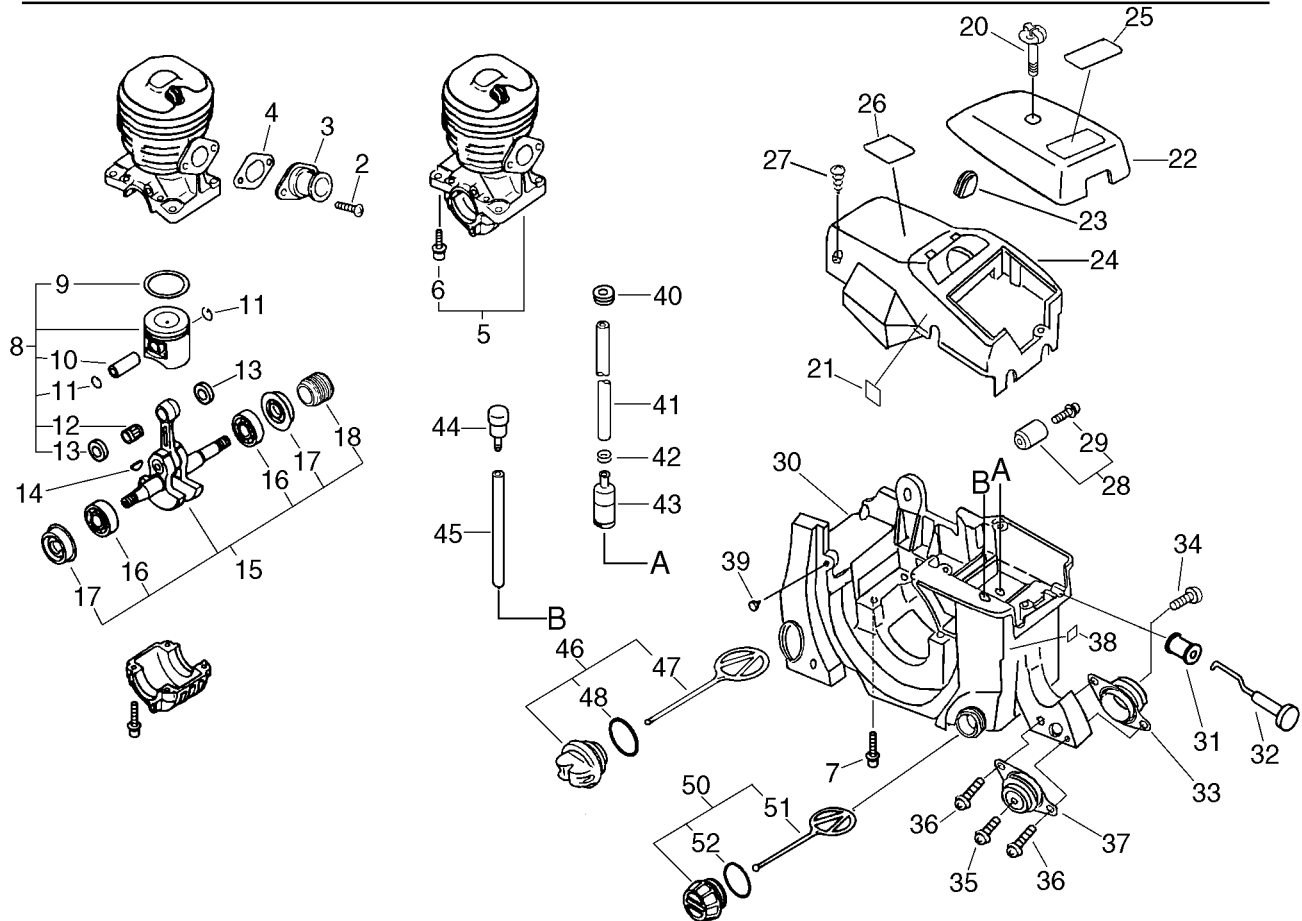


Bild	Artikelnummer	Anzahl	Beschreibung	Anmerkung
2	900238-05012	2	SCREW 5*12	
3	130510-39930	1	ADAPTER, INTAKE	Sus. by 130510-39932
3	130510-39931	1	ADAPTER, INTAKE	Sus. by 130510-39932
3	130510-39932	1	ADAPTER, INTAKE	
4	130016-39930	1	GASKET, INTAKE	
5	P021-000800	1	CRANKCASE SET	Sus. by P021-000802
5	P021-000802	1	CRANKCASE SET	
6 +	900162-05022	4	BOLT, H.S. 5*22	
7	900162-05030	4	BOLT, H.S. 5*30	
8	100000-60930	1	PISTON KIT	
9 +	100011-01110	1	RING, PISTON	
10 +	100013-15330	1	PIN, PISTON	
11 +	100015-04630	2	CIRCLIP, PISTON PIN	
12 +	100012-22330	1	BEARING, NEEDLE	
13 +	100014-60930	2	SPACER, PISTON PIN	
14	100142-12330	1	KEY, WOODRUFF	
15	100101-60931	1	CRANKSHAFT ASY	
16 +	900810-36201	2	BEARING, BALL 6201	Sus. by 94035-36201
16 +	94035-36201	2	BEARING, BALL	
17 +	100213-38330	2	OILSEAL	
18 +	437063-35630	1	GEAR, WORM	
20	A235-000010	1	KNOB,CLEANER LID	
21	890631-38130	1	LABEL, CAUTION	
22	A232-000010	1	LID,CLEANER	
23	130338-32430	1	PLUG, COVER	
24	101514-60931	1	COVER, CYLINDER	Sus. by 101514-60932
24	101514-60932	1	COVER, CYLINDER	

Bild	Artikelnummer	Anzahl	Beschreibung	Anmerkung
25	X503-000270	1	LABEL,MODEL	
26	890345-39230	1	LABEL,CAUTION	
27	900256-04016	3	SCREW 4*16	
28	433000-60930	1	CATCHER KIT, CHAIN	
29 +	900253-05020	1	SCREW 5*20	
30	104005-60932	1	COVER,ENGINE	
31	178810-60930	1	GROMMET, CHOKE	
32	178510-38330	1	ROD, CHOKE	
33	100905-35430	1	CUSHION	
34	900238-05025	1	SCREW 5*25	
35	900238-05014	1	SCREW 5*14	
36	900238-04022	2	SCREW 4*22	
37	100905-36030	1	CUSHION	
38	890157-39130	1	LABEL, SWITCH	
39	436114-13930	1	VALVE, CHECK	
40	132115-04920	1	GROMMET	
41	132010-38330	1	PIPE, FUEL	Sus. by 132010-38331
41	132010-38331	1	PIPE	
42	132013-26630	1	CLIP	
43	131205-14930	1	STRAINER,FUEL	
44	131300-56430	1	VALVE, CHECK	
45	132012-52030	1	PIPE 3*5*50	
46	436001-39131	1	CAP ASSY, TANK	
47 +	131051-19830	1	LINK	
48 +	900725-02025	1	O-RING	
50	131004-37931	1	CAP ASSY, FUEL TANK	
51 +	131051-19830	1	LINK	
52 +	900720-00022	1	O-RING 22	

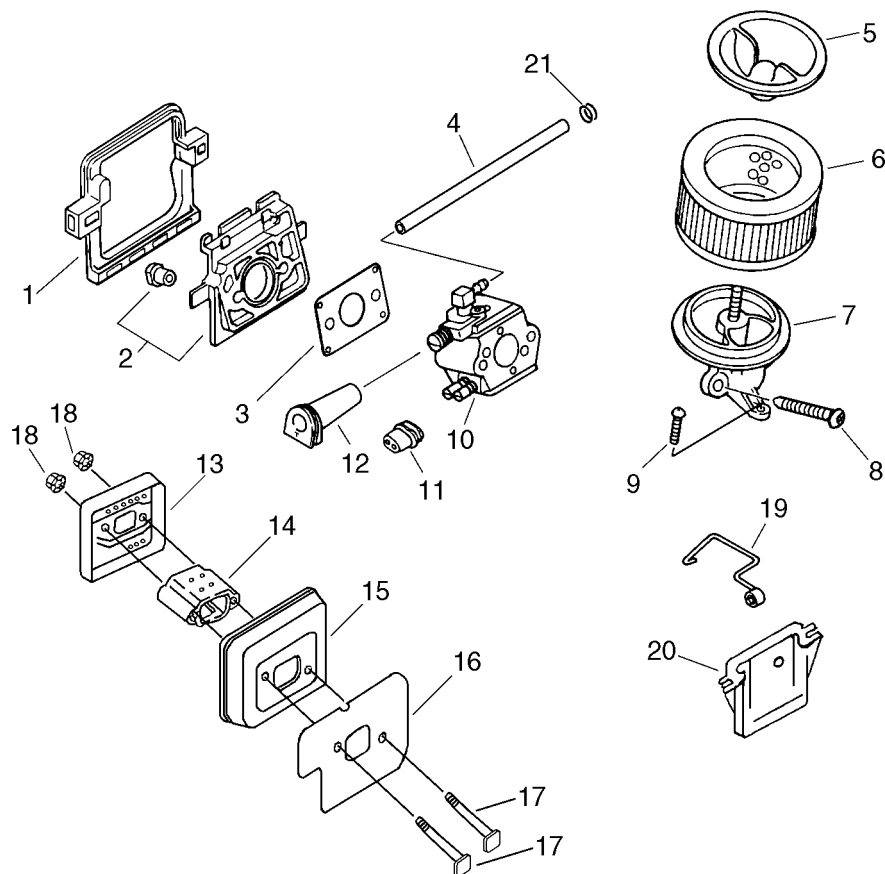


Bild	Artikelnummer	Anzahl	Beschreibung	Anmerkung
1	130366-39930	1	CUSHION	
2	130007-39930	1	INSULATOR	
3	130010-38330	1	GASKET, INTAKE	
4	130110-54430	1	PIPE, IMPULSE	
5	130405-38331	1	BRACKET, AIR CLEANER	
6	130300-39730	1	CLEANER ASM., AIR	
7	130301-39930	1	CASE, AIR CLEANER	Sus. by 130301-39931
7	130301-39931	1	ADAPTER, INTAKE	
8	900238-05050	2	SCREW 5*50	
9	900253-05020	1	SCREW 5*20	Sus. by 900253-05016
9	900253-05016	1	SCREW 5*16	
10	123000-60930	1	CARBURETOR ASSY	
11	129010-33330	1	GROMMET	
12	129015-60931	1	GROMMET	
13	145861-60930	1	LID, MUFFLER	
14	145614-60930	1	PLATE, MUFFLER	
15	145610-60930	1	MUFFLER	
16	145510-60930	1	GASKET, MUFFLER	
17	101023-60930	2	BOLT, 5 5*60	
18	900516-00005	2	NUT, FRANGE 5	
19	178011-61530	1	ROD, THROTTLE	
20	178112-60930	1	GUIDE, THROTTLE BL	Sus. by 178112-60931
20	178112-60931	1	GUIDE, THROTTLE	
21	132013-09820	1	CLIP	

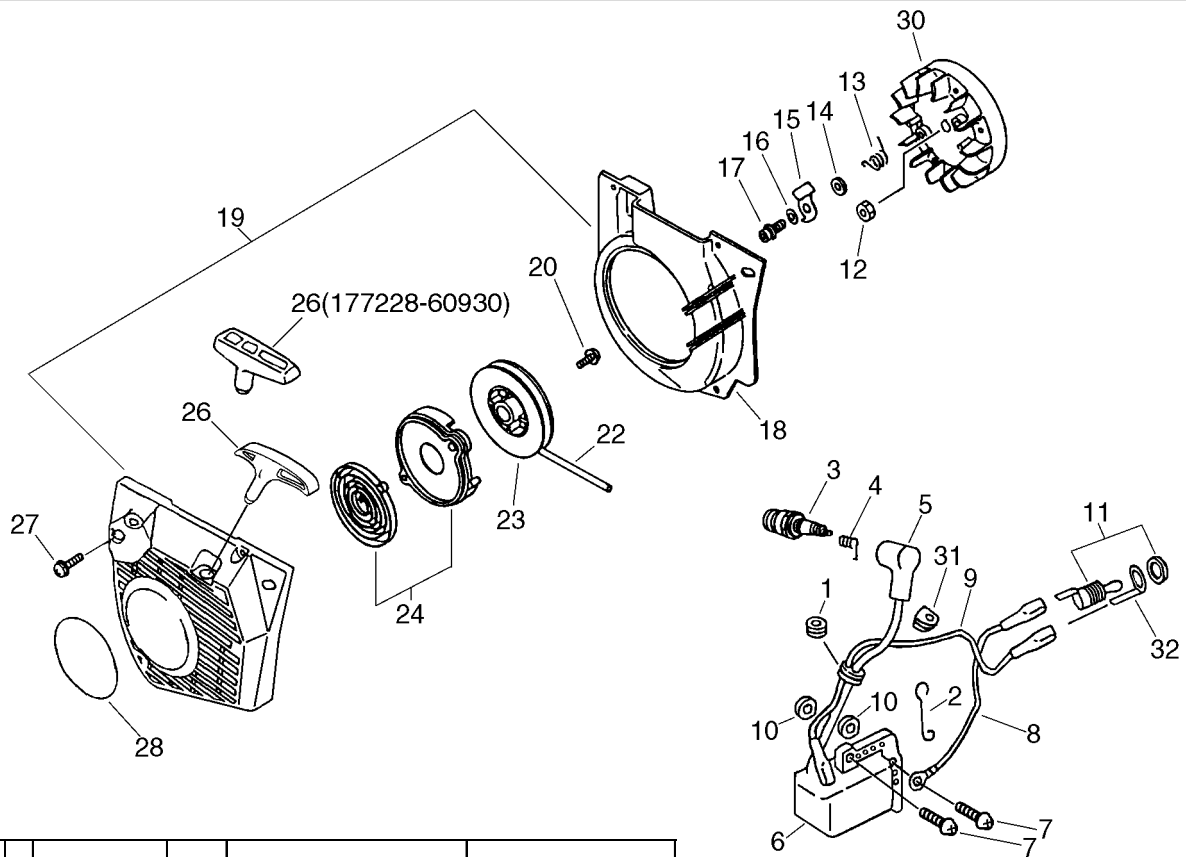


Bild	Artikelnummer	Anzahl	Beschreibung	Anmerkung
1	151112-04630	1	BUSHING	
2	159118-60930	1	GUIDE, CORD	
3	159010-10230	1	PLUG, SPARK (BPMR-7A	
4	159011-03432	1	COIL, SPARK PLUG CAP	
5	159012-01620	1	CAP, SPARK PLUG	
6	156626-60930	1	COIL, IGNITION	
7	900238-05025	2	SCREW 5*25	
8	162010-60930	1	LEAD	
9	162021-52130	1	LEAD	
10	150117-16430	2	SPACER	
11	163400-35430	1	SWITCH, IGNITION	
12	900515-00008	1	NUT, FLANGE 8	
13	177234-35430	2	SPRING, RETURN	
14	177247-04630	2	SPACER, RATCHET	
15	177218-35631	2	PAWL, STARTER	Sus. by A514-000000
15	A514-000000	2	PAWL	
16	900603-00005	2	WASHER 5	
17	900216-05012	2	SCREW 5*12	
18	101511-60930	1	COVER, FAN BL	
19	177200-60930	1	STARTER ASSY	Sus. by 177200-60931
19	177200-60931	1	STARTER, RECOIL	
20	+ 177236-44330	1	SCREW	
22	+ 177226-60930	1	ROPE, STARTER	
23	+ 177215-60930	1	DRUM, STARTER	
24	+ 177203-60930	1	SPRING KIT, REWIND	
26	+ 177228-60930	1	GRIP, STARTER	Nur mit 177200-60930
26	+ P022-001320	1	GRIP, STARTER	Nur mit 177200-60931
27	900256-04016	4	SCREW 4*16	
28	890118-49330	1	LABEL, ECHO	
30	156800-60930	1	ROTOR, MAGNETO	
31	150112-04930	1	BUSHING	
32	168114-60930	1	TERMINAL, LEAD	

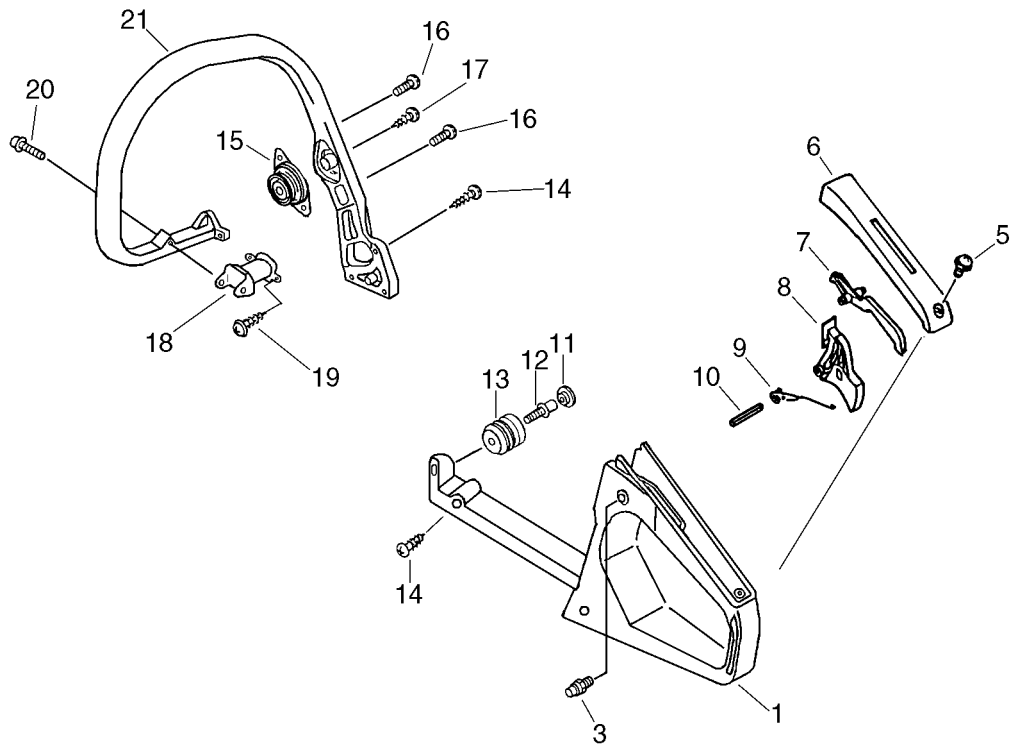


Bild	Artikelnummer	Anzahl	Beschreibung	Anmerkung
1	351110-60930	1	HANDLE, REAR	Sus. by 351110-60932
1	351110-60931	1	HANDLE, REAR	Sus. by 351110-60932
1	351110-60932	1	HANDLE, REAR	
3	178302-37930	1	LATCH, THROTTLE	
5	900253-04012	1	SCREW	
6	351155-35430	1	COVER, HANDLE (BL)	
7	178090-37930	1	LOCKOUT, T. CONTROL	
8	C450-000000	1	TRIGGER, THROTTLE	
9	178043-35430	1	SPRING, THR.RETURN	
10	900345-40030	1	PIN, SPRING 4*30SUS	
11	100918-19830	1	CAP, CUSHION	
12	100915-35430	1	SCREW	
13	100910-60030	1	CUSHION	
14	900253-05020	4	SCREW 5*20	
15	100922-35430	1	CUSHION, REARE HANDLE	
16	900238-04016	2	SCREW 4*16	
17	900253-05016	1	SCREW	
18	351105-60930	1	CUSHION	
19	900253-04012	2	SCREW	
20	900238-04022	1	SCREW 4*22	
21	351606-60931	1	HANDLE, FRONT	

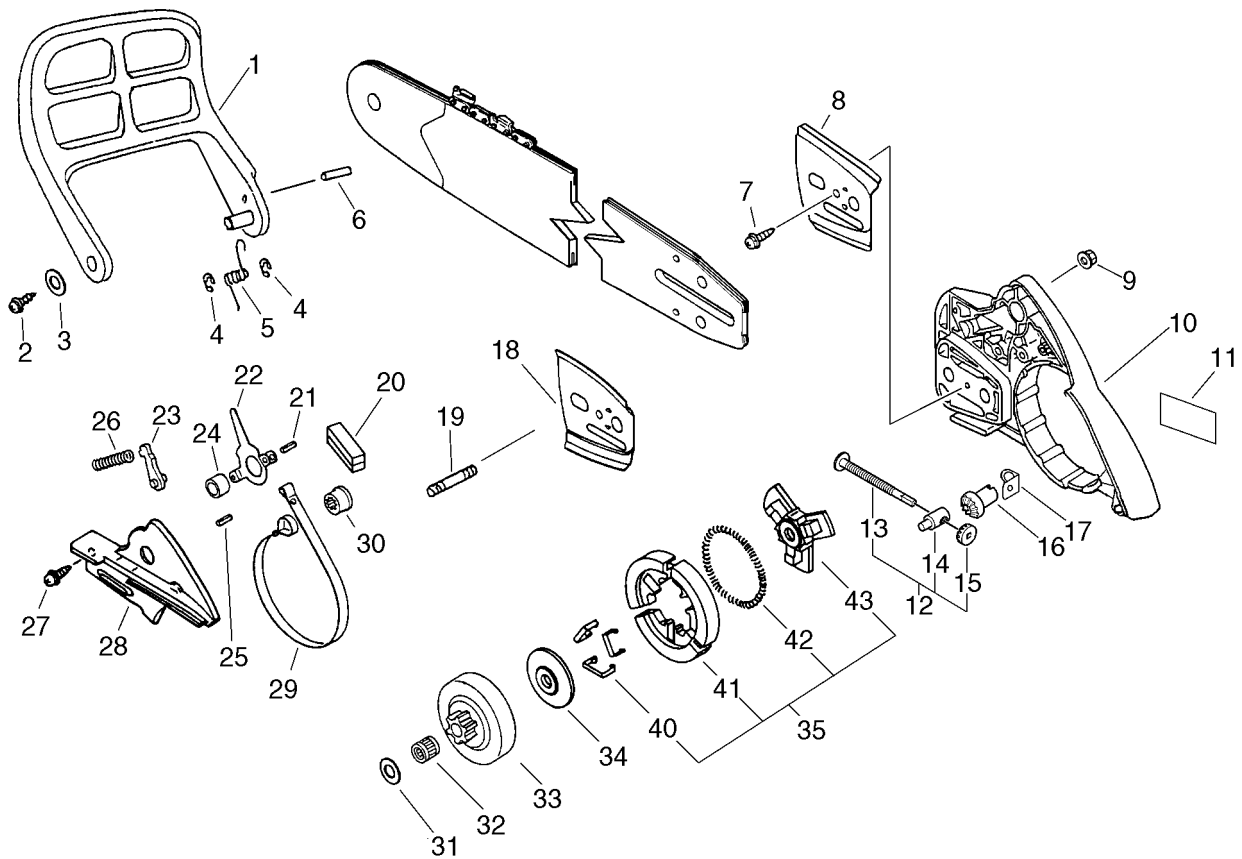


Bild	Artikelnummer	Anzahl	Beschreibung	Anmerkung
1	C320-000000	1	LEVER,BRAKE	
2	900253-04012	1	SCREW	
3	177214-04630	1	WASHER	
4	900700-00008	2	E-RING 8	
5	433122-60930	1	SPRING, BRAKE	
6	900330-30120	1	PIN	
7	900253-04010	1	SCREW 4*10	
8	433012-60930	1	PLATE, GUIDE	
9	433019-03933	2	NUT, FLANGE 6	
10	433010-60931	1	GUARD, SPROCKET	
11	X502-000000	1	LABEL,ECHO	
12	P021-000061	1	TENSIONER,CHAIN ASY	Sus. by P021-000062
12	P021-000061	1	TENSIONER,CHAIN ASY	Sus. by P021-000062
12	P021-000062	1	TENSIONER,CHAIN ASY	
13 +	V203-000020	1	BOLT,5	Sus. by V203-000021
13 +	V203-000021	1	BOLT,5	
14 +	433014-60930	1	TENSIONER, CHAIN	Sus. by C309-000030
14 +	C309-000030	1	TENSIONER, CHAIN	
15 +	V651-000010	1	GEAR,BEVEL	
16	V651-000000	1	GEAR,BEVEL	
17	V150-000030	1	PLATE,EYE	

Bild	Artikelnummer	Anzahl	Beschreibung	Anmerkung
18	433013-60930	1	PLATE, GUIDE	
19	433011-03931	2	STUD, GUIDE BAR	
20	433312-32630	1	COVER, SEAL	
21	900330-40088	1	ROLLER 4*8.8	
22	433117-60930	1	CONNECTOR, BRAKE	
23	433209-35430	1	STOPPER, BRAKE	
24	433116-35430	1	SPACER 8	
25	900342-25012	1	PIN, SPRING 2.5*12	
26	433122-35430	1	SPRING, BRAKE	
27	900253-04012	3	SCREW	
28	433310-60930	1	COVER, BRAKE BS	
29	433123-60930	1	BAND, BRAKE	
30	433142-35430	1	ADJUSTER, BRAKE	
31	175014-39130	1	WASHER, CLUTCH	
32	175012-35630	1	BEARING, NEEDLE	
33	175005-39131	1	DRUM, CLUTCH 3/8	Sus. by 175005-39132
33	175005-39132	1	DRUM, CLUTCH	
34	175019-39430	1	PLATE, CLUTCH	
35	A056-000010	1	CLUTCH	
40 +	175022-59530	3	SPRING,FLAT	
41 +	P021-000270	1	CLUTCH SHOE SET	
42 +	175018-39430	1	SPRING, CLUTCH	
43 +	A552-000000	1	HUB,CLUTCH	

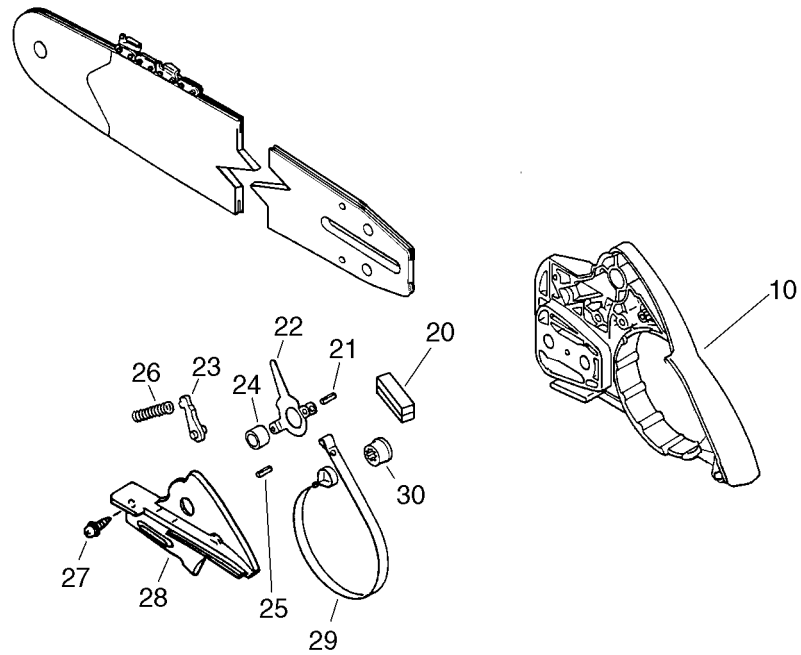


Bild		Artikelnummer	Anzahl	Beschreibung	Anmerkung
		C032-000020	1	BRAKE,ASM CHAIN	
10	+	433010-60931	1	GUARD, SPROCKET	
20	+	433312-32630	1	COVER, SEAL	
21	+	900330-40088	1	ROLLER 4*8.8	
22	+	433117-60930	1	CONNECTOR, BRAKE	
23	+	433209-35430	1	STOPPER, BRAKE	
24	+	433116-35430	1	SPACER 8	
25	+	900342-25012	1	PIN, SPRING 2.5*12	
26	+	433122-35430	1	SPRING, BRAKE	
27	+	900253-04012	3	SCREW	
28	+	433310-60930	1	COVER, BRAKE BS	
29	+	433123-60930	1	BAND, BRAKE	
30	+	433142-35430	1	ADJUSTER, BRAKE	

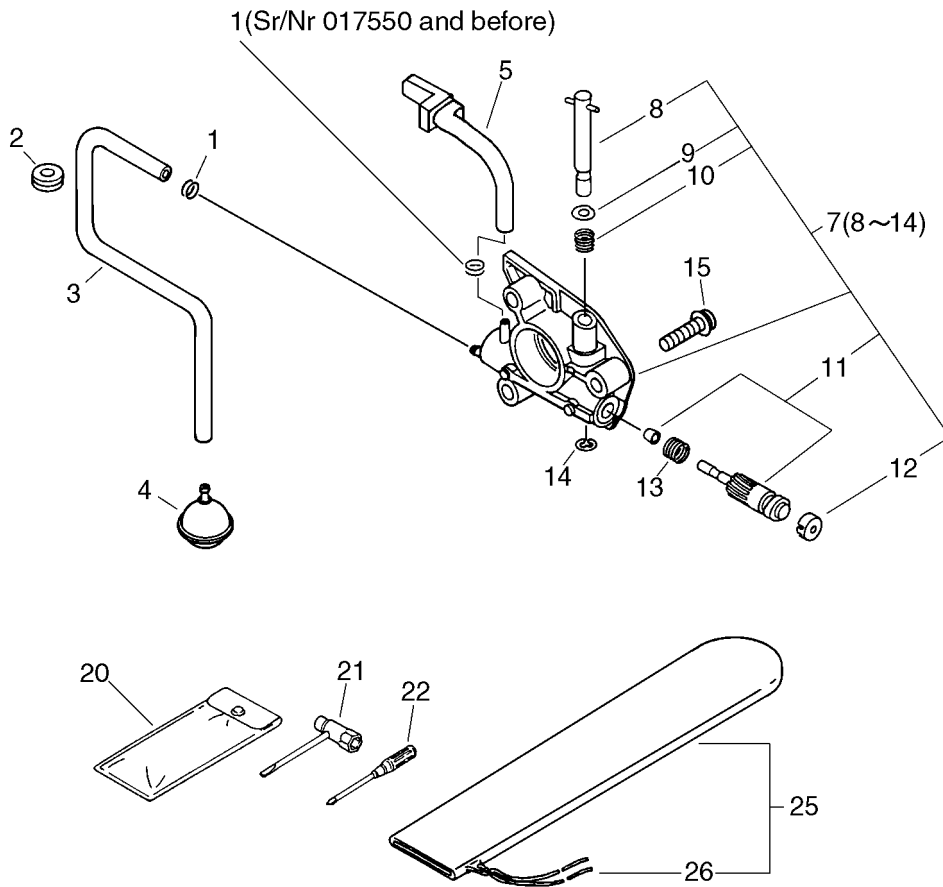


Bild	Artikelnummer	Anzahl	Beschreibung	Anmerkung
1	132013-26630	2	CLIP	Sr/Nr 017550 and before
1	132013-26630	1	CLIP	Sr/Nr 017551 and after
2	132115-12330	1	GROMMET	
3	437210-35430	1	PIPE	
4	436205-14730	1	STRAINER, OIL	
5	437211-39133	1	PIPE	
7	437002-38330	1	AUTO-OILER ASSY	
8	+ 437016-38330	1	NEEDLE, ADJUST	
9	+ 437029-37330	1	WASHER	
10	+ 437015-37330	1	SPRING	
11	+ 437024-37330	1	PLUNGER	
12	+ 437062-38330	1	CAP, OIL PUMP	
13	+ 437019-38330	1	SPRING	
14	+ 123127-15030	1	RING	
15	900223-04016	2	SCREW	
20	898510-39130	1	BAG, TOOL	
21	895410-03930	1	WRENCH, W/S. DRIVER	
22	895812-03930	1	DRIVER, SCREW 50	
25	898513-38330	1	SCABBARD, GUIDE BAR	
26	+ 898568-14530	1	ROPE	



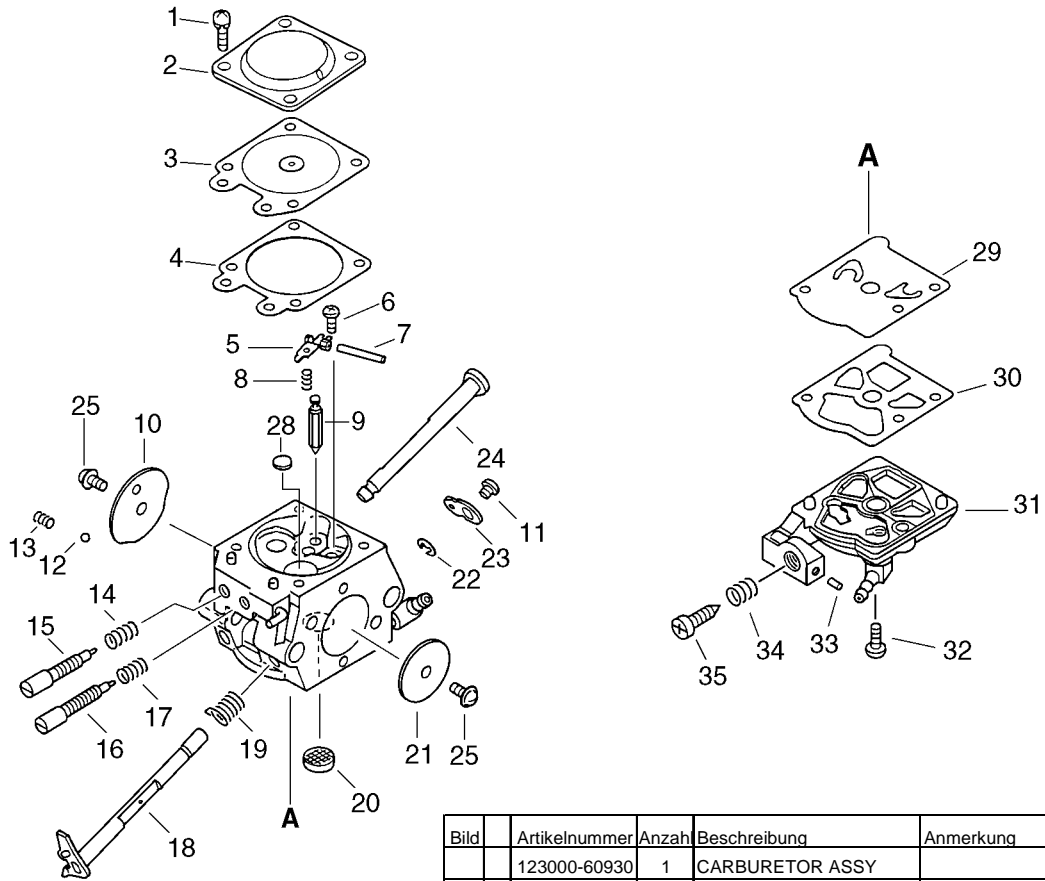


Bild	Artikelnummer	Anzahl	Beschreibung	Anmerkung
	123000-60930	1	CARBURETOR ASSY	
1 +	123130-02960	4	SCREW	
2 +	123142-03930	1	COVER, M. DIAPHRAGM	
3 +	123141-03930	1	DIAPHRAGM, METERING	
4 +	123140-03930	1	GASKET, M. DIAPHRAGM	
5 +	123123-03930	1	LEVER, METERING	
6 +	123139-03930	1	SCREW, M. LEVER PIN	
7 +	123138-03930	1	PIN, METERING LEVER	
8 +	123122-39330	1	SPRING, METER. LEVER	
9 +	123137-19830	1	VALVE, INLET NEEDLE	
10 +	123132-35430	1	VALVE, CHOKE	
11 +	123114-03930	1	SCREW	
12 +	123136-10630	1	BALL, CHOKE FRICTION	
13 +	123135-10630	1	SPRING, CHOKE FRICT.	
14 +	123119-22130	1	SPRING, NEEDLE	
15 +	123120-10860	1	NEEDLE, HIGH SPEED	
16 +	123118-38330	1	NEEDLE, IDLE	
17 +	123121-22130	1	SPRING, NEEDLE	
18 +	123117-37330	1	SHAFT, THROTTLE	
19 +	123113-37530	1	SPRING, THROTTLE RTN	
20 +	123126-10631	1	SCREEN, INLET	
21 +	123116-03930	1	VALVE, THROTTLE	
22 +	123127-15030	1	RING	
23 +	123150-38330	1	LEVER, THROTTLE	
24 +	123131-35430	1	SHAFT, CHOKE	
25 +	123114-38830	2	SCREW	
28 +	123146-10631	1	PLUG, WELCH	
29 +	123112-15030	1	DIAPHRAGM, FUEL PUMP	
30 +	123125-15030	1	GASKET, FUEL PUMP	
31 +	123124-38330	1	COVER, FUEL PUMP	
32 +	123110-03930	1	SCREW, PUMP COVER	
33 +	123178-15030	1	PLUG, FRICTION	
34 +	123133-04260	1	SPRING, IDLE ADJUST	
35 +	123134-04260	1	SCREW, IDLE ADJUST	





**ECHO**®

**Motorgeräte**

*die geh'n ran*