

Stand 04.02.2002

# ERSATZTEILLISTE

**ECHO Motorsäge**  
**CS-3600**  
**CS-3900**

ECHO-Motorgeräte  
Vertrieb Deutschland GmbH  
Otto-Schott-Str. 7

72555 Metzingen

Telefon 07123-1091  
Telefax 07123-2589  
<http://www.echo-shop.de>  
email: [info@echo-shop.de](mailto:info@echo-shop.de)

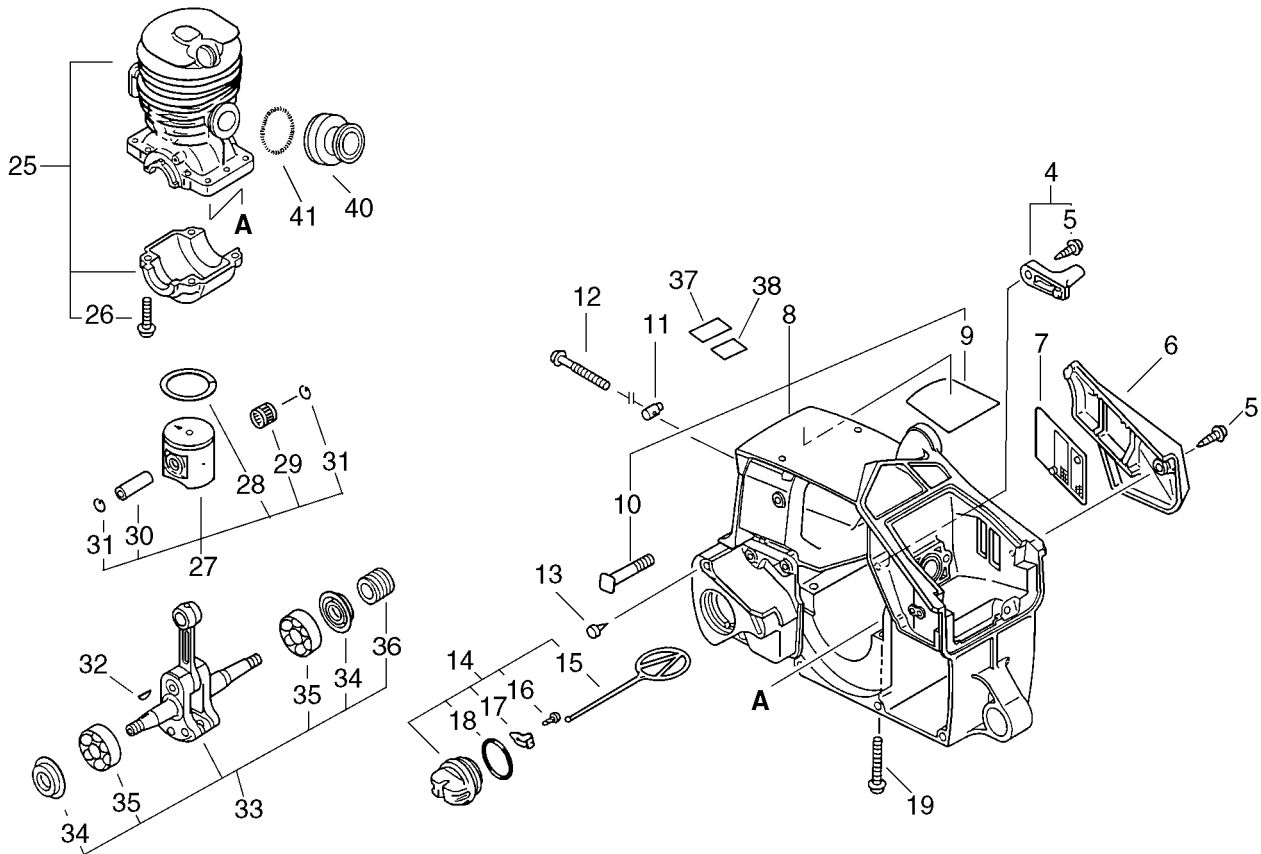


Bild	Artikelnummer	Anzahl	Beschreibung	Anmerkung
4	433000-35430	1	CATCHER KIT, CHAIN	
5 +	900252-05020	1	SCREW 5*20	
5	900252-05020	1	SCREW 5*20	
6	104012-35430	1	COVER, DUST (BS)	
7	104016-35430	1	PLATE, DUST	
8	104008-37330	1	COVER, ENGINE	
9 +	101520-35430	1	COVER	
10 +	433011-19830	2	STUD, GUIDE BAR	
11	433014-03931	1	TENSIONER	
12	433016-35430	1	SCREW, TENSIONER	
13	436114-13930	1	VALVE, CHECK	
14	436001-19832	1	CAP ASSY, OIL TANK	Sus. by 436001-19833
14	436001-19833	1	CAP ASSY, OIL TANK	
15 +	131051-19830	1	LINK	
16 +	900246-03008	1	SCREW 3*8	
17 +	131050-19830	1	RETAINER, LINK	
18 +	900725-02025	1	O-RING	
19	900162-05030	4	BOLT, H.S. 5*30	
25	100202-35431	1	CRANKCASE SET	CS-3600
26 +	900162-05025	4	BOLT, H.S. 5*25	CS-3600
27	100000-35430	1	PISTON KIT	Sus. by 100000-35431
27	100000-35431	1	PISTON KIT	CS-3600
28 +	100011-13330	1	RING, PISTON	CS-3600
29 +	100012-35430	1	BEARING, NEEDLE	CS-3600
30 +	100013-35430	1	PIN, PISTON	CS-3600
31 +	100015-03930	2	CIRCLIP, PISTON PIN	Sus. by 100015-03931

Bild	Artikelnummer	Anzahl	Beschreibung	Anmerkung
31 +	100015-03931	2	CIRCLIP, PISTON PIN	CS-3600
40	130510-35430	1	BELLOWS, INTAKE	CS-3600
25	100202-37331	1	CRANKCASE SET	CS-3900
26 +	900162-05025	4	BOLT, H.S. 5*25	CS-3900
27	100000-37330	1	PISTON KIT	Sus. by 100000-37331
27	100000-37331	1	PISTON KIT	CS-3900
28 +	100011-37330	1	RING, PISTON	CS-3900
29 +	100012-35430	1	BEARING, NEEDLE	CS-3900
30 +	100013-35430	1	PIN, PISTON	CS-3900
31 +	100015-03930	2	CIRCLIP, PISTON PIN	Sus. by 100015-03931
31 +	100015-03931	2	CIRCLIP, PISTON PIN	CS-3900
40	130510-37330	1	ADAPTER, INTAKE	CS-3900
32	100142-42030	1	KEY, WOODRUFF	Sus. by 100142-39130
32	100142-39130	1	KEY, WOODRUFF	
33	100101-35430	1	CRANKSHAFT ASSY	
34 +	100213-38330	2	OILSEAL	
35 +	900810-36201	2	BEARING, BALL 6201	Sus. by 94035-36201
35 +	94035-36201	2	BEARING, BALL	
36 +	437063-35430	1	WORM	
37	890345-39230	1	LABEL, CAUTION	
38	890316-39130	1	LABEL, CAUTION	
41	130516-35430	1	SPRING, TENSION	
*	104008-37330	1	COVER, ENGINE	KEY NO.1-8
+	101520-35430	1	COVER	KEY NO.1-9
+	433011-19830	2	STUD, GUIDE BAR	KEY NO.1-10
+	436114-13930	1	VALVE, CHECK	KEY NO.1-13
+	150640-37330	2	BOLT	KEY NO.3-31
+	156635-37330	1	PLATE, GROUND	KEY NO.3-32
+	132115-12330	1	GROMMET	KEY NO.5-20

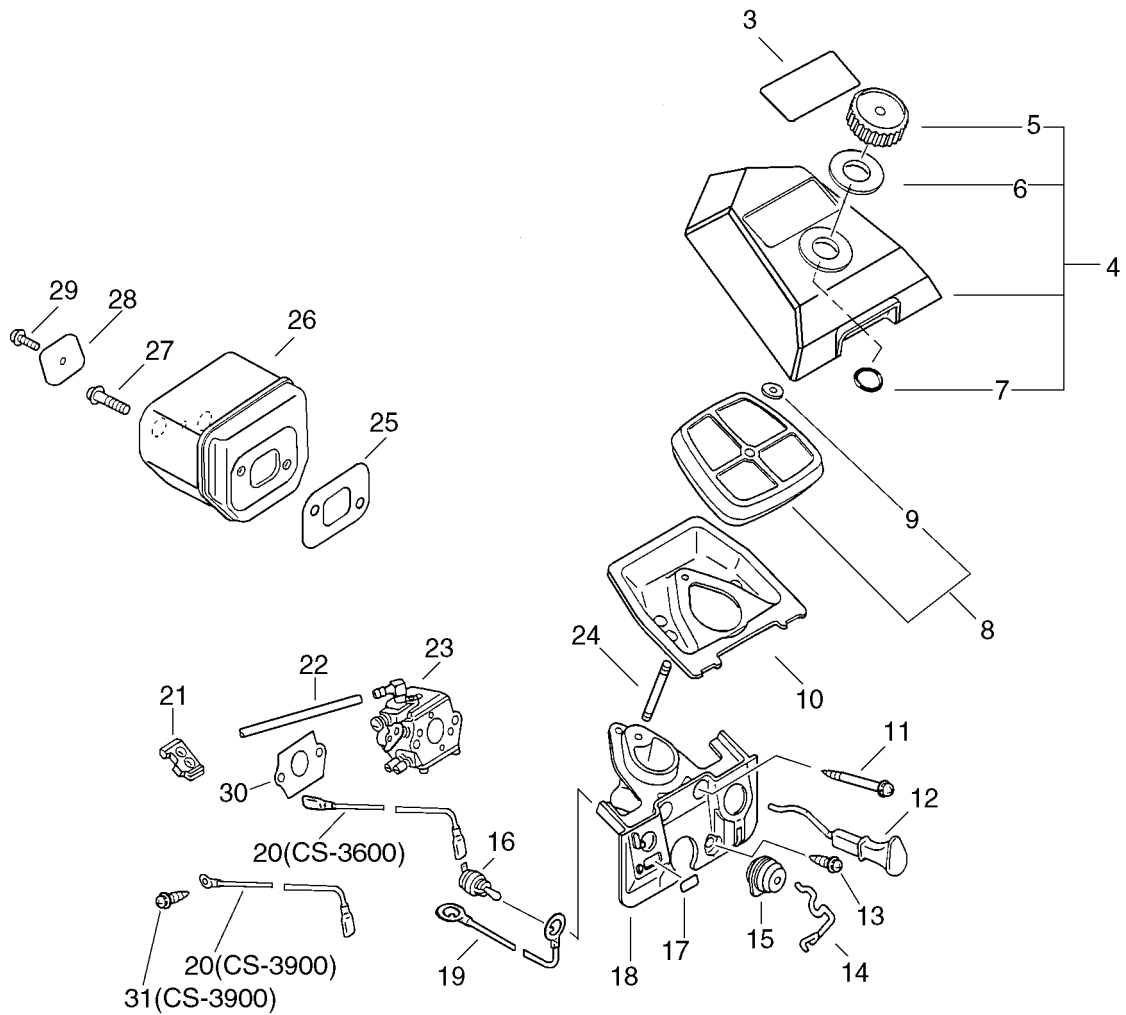


Bild	Artikelnummer	Anzahl	Beschreibung	Anmerkung	Bild	Artikelnummer	Anzahl	Beschreibung	Anmerkung
3	890370-35430	1	LABEL, MODEL	CS-3600	19	156621-35430	1	LEAD	
3	890370-38330	1	LABEL, MODEL	CS-3900	20	156630-35430	1	LEAD	CS-3600
4	130302-35430	1	COVER ASSY, AIR CLN.		20	156630-37330	1	LEAD	CS-3900
5 +	130406-33331	1	KNOB, CLEANER LID		21	132115-35430	1	GROMMET	
6 +	130414-37330	1	GASKET, CIRCULAR		22	437211-16431	1	PIPE	
7 +	900720-00011	1	O-RING P-11		23	123000-35430	1	CARBURETOR ASSY	CS-3600
8	130305-35430	1	FILTER, AIR		23	123000-37332	1	CARBURETOR ASSY	CS-3900
9 +	130414-35430	1	GASKET, CIRCULAR		24	130325-32330	1	BOLT, AIR CLEANER	
10	130320-35430	1	SEAL (BL)		25	145510-35431	1	GASKET, MUFFLER	
11	900252-05055	2	SCREW 5*55		26	145810-35430	1	MUFFLER (BL)	
12	178510-35430	1	ROD, CHOKE		27	900162-05020	2	BOLT, H.S. 5*20	CS-3600
13	900252-05020	1	SCREW 5*20		27	900162-05018	2	BOLT, H.S. 5*18	CS-3900
14	178011-35430	1	ROD, THROTTLE		28	145711-35430	1	PLATE (BL)	Sus. by 145711-60631
15	178114-35430	1	GROMMET		28	145711-60631	1	STAY, MUFFLER	
16	163400-35430	1	SWITCH, IGNITION		29	900238-04008	1	SCREW 4*8	
17	890157-39130	1	LABEL, SWITCH		30	130010-35430	1	GASKET, CARBURETOR	
18	130405-35430	1	BRACKET, AIR CLEANER		31	900242-04008	1	SCREW 4*8	CS-3900

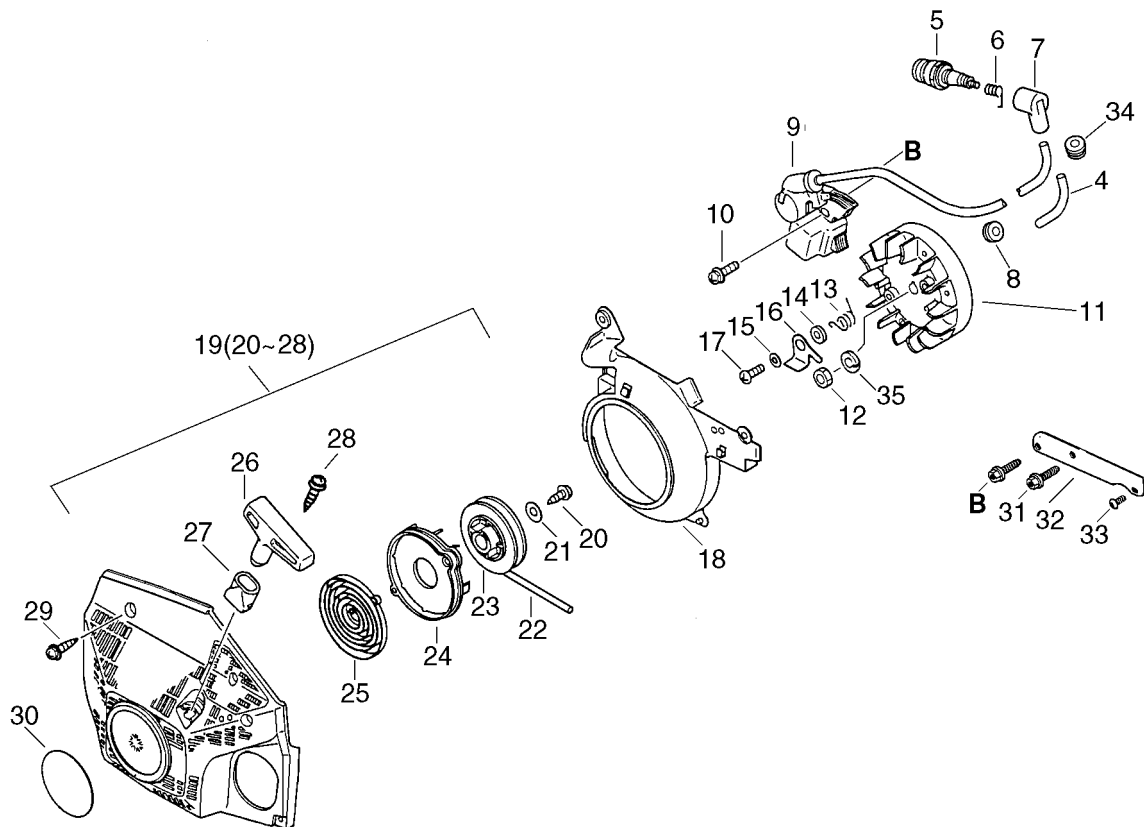


Bild	Artikelnummer	Anzahl	Beschreibung	Anmerkung
4	156613-13930	1	TUBE	
5	159017-10230	1	PLUG, SPARK (RCJ-7Y)	
6	159011-03432	1	COIL, SPARK PLUG CAP	
7	159012-01620	1	CAP, SPARK PLUG	
8	132115-01461	1	GROMMET, FUEL	
9	156601-35430	1	C.D IGNITION MODULE	CS-3600
9	156601-37330	1	C.D. IGNITION MODULE	CS-3900
10	900162-04012	2	BOLT, H.S. 4*12	
11	156800-35430	1	ROTOR, MAGNETO	CS-3600
11	156800-37330	1	ROTOR, MAGNETO	CS-3900
12	900500-00008	1	NUT 8	
13	177234-35430	2	SPRING, RETURN	
14	900603-00005	2	WASHER 5	
15	177247-04630	2	SPACER, RATCHET	
16	177218-35430	2	PAWL, STARTER	
17	900162-05014	2	BOLT, H.S. 5*14	
18	101535-37330	1	COVER, FAN	
19	177200-35434	1	STARTER,ASSY	
20	+ 900242-05012	1	SCREW 5*12	
21	+ 177214-02830	1	WASHER	
22	+ 177226-11130	1	ROPE, STARTER	
23	+ 177215-35430	1	DRUM, STARTER	
24	+ 177221-35430	1	PLATE, STARTER	
25	+ 177220-35430	1	SPRING, REWIND	
26	+ 177228-35430	1	GRIP, STARTER (BL)	
27	+ 177227-37930	1	GUIDE, ROPE	
28	+ 900296-03014	1	SCREW 3*14	
29	900252-05020	4	SCREW 5*20	
30	890118-35430	1	LABEL, ECHO	Sus. by 890118-49330
30	890118-49330	1	LABEL, ECHO	
31	150640-37330	2	BOLT	
32	156635-37330	1	PLATE, GROUND	
33	900220-04008	1	SCREW 4*8	
34	150110-35430	1	BUSHING	
35	900605-00008	1	WASHER, SPRING 8	

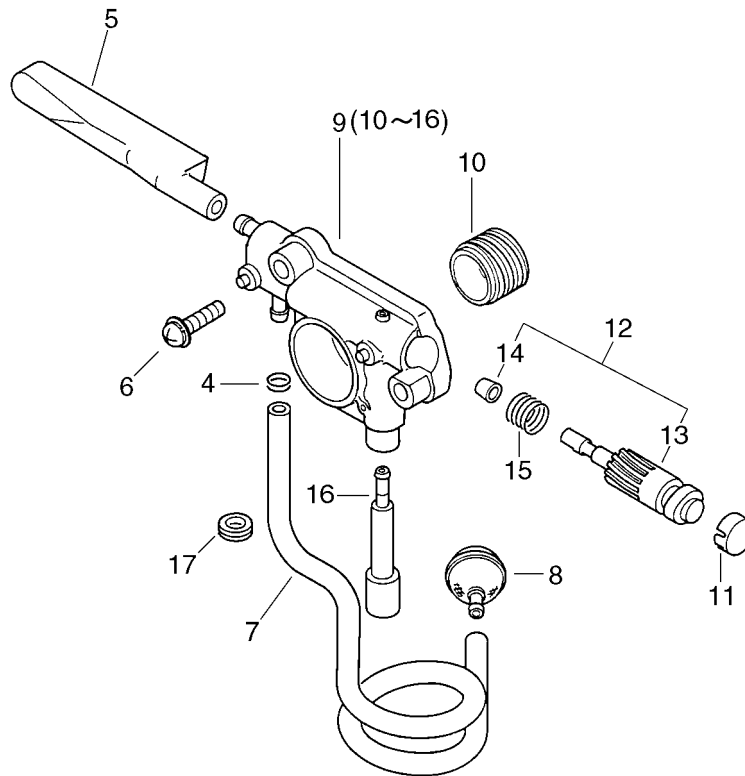


Bild	Artikelnummer	Anzahl	Beschreibung	Anmerkung
4	437411-19830	1	CLIP, OIL PIPE	
5	437211-35430	1	PIPE, OIL	
6	900162-04016	2	BOLT, H.S. 4*16	
7	437210-35430	1	PIPE	
8	436205-14730	1	STRAINER, OIL	
9	437000-35432	1	AUTO-OILER ASSY	
10	+ 437063-35430	1	WORM	
11	+ 437062-35431	1	PLUG	
12	+ 437006-35430	1	PLUNGER KIT	
13	++ 437803-35430	1	PLUNGER W/VRING	
14	++ 437020-35430	1	V-RING	
15	+ 437019-35430	1	SPRING, OILER	
16	+ 437009-35430	1	PIN, CONTROL	
17	132115-12330	1	GROMMET	

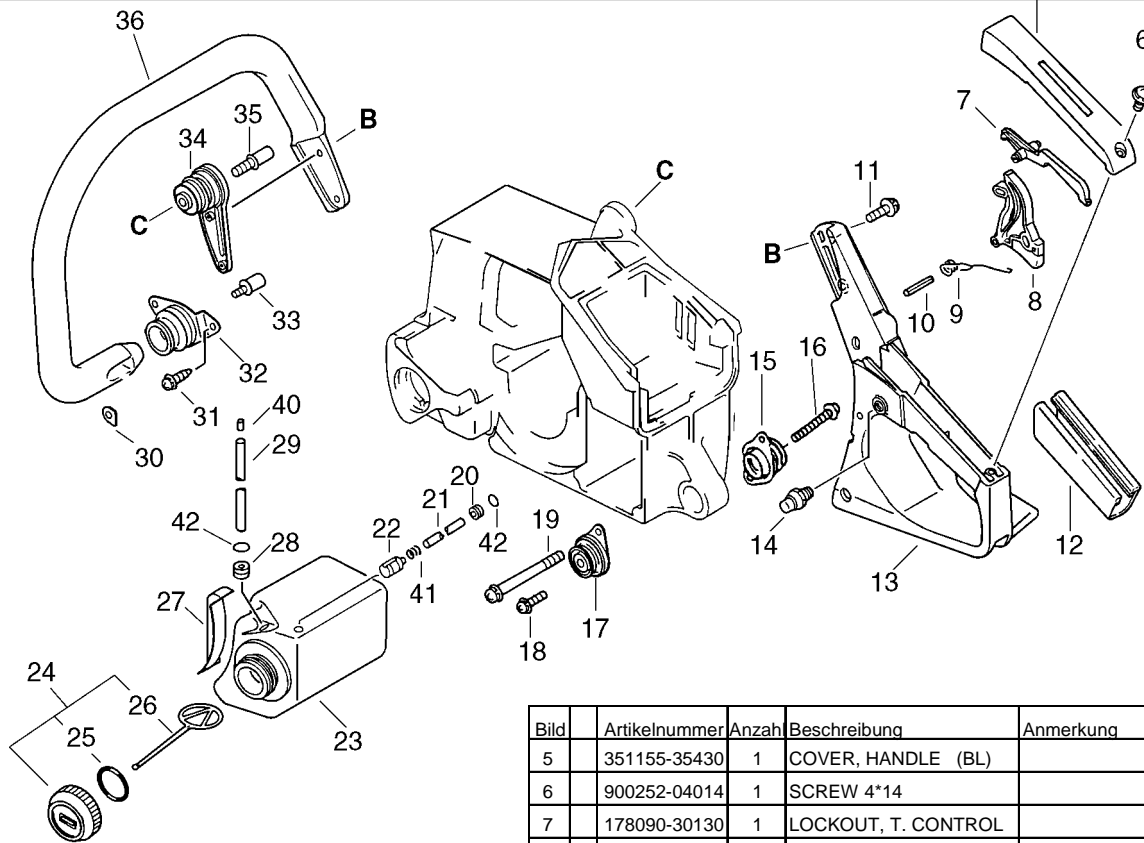


Bild	Artikelnummer	Anzahl	Beschreibung	Anmerkung
5	351155-35430	1	COVER, HANDLE (BL)	
6	900252-04014	1	SCREW 4*14	
7	178090-30130	1	LOCKOUT, T. CONTROL	
8	178005-35431	1	CONTROL, THROTTLE	
9	178043-35430	1	SPRING, THR.RETURN	
10	900345-40030	1	PIN, SPRING 4*30SUS	
11	900242-05022	2	SCREW 5*22	
12	351111-19830	1	GRIP, HANDLE	
13	351110-36030	1	HANDLE, REAR	
14	178302-12330	1	LATCH, THROTTLE	
15	100905-35430	1	CUSHION	
16	900162-05030	1	BOLT, H.S. 5*30	
17	100905-36030	1	CUSHION	
18	900162-05012	1	BOLT, H.S. 5*12	
19	900242-04028	2	SCREW 4*28	
20	132115-12330	1	GROMMET	
21	132010-35430	1	PIPE 3*6*230	
22	131205-30830	1	STRAINER, FUEL	Sus. by 131205-19830
22	131205-19830	1	STRAINER, FUEL	
23	131010-37331	1	TANK, FUEL	
24	131004-35430	1	CAP ASSY, FUEL TANK	Sus. by 131004-35431
24	131004-35431	1	CAP ASSY, FUEL TANK	
25	+ 900720-00022	1	O-RING 22	
26	+ 131051-19830	1	LINK	
27	131910-35430	1	BRACKET, FUEL TANK	
28	131329-35431	1	GROMMET, PULSE	
29	131312-35431	1	PIPE, VENT	
30	351611-35430	1	NUT 5MM	
31	900252-05020	1	SCREW 5*20	
32	100910-35430	1	CUSHION,FRONT HANDLE	
33	100915-35430	1	SCREW	
34	100921-35430	1	CUSHION,FRONT HANDLE	
35	100915-33930	1	SCREW	
36	351610-35430	1	HANDLE, FRONT	
40	131314-35430	1	VALVE, CHECK	
41	132013-26630	1	CLIP	
42	900720-00006	2	O-RING 6	

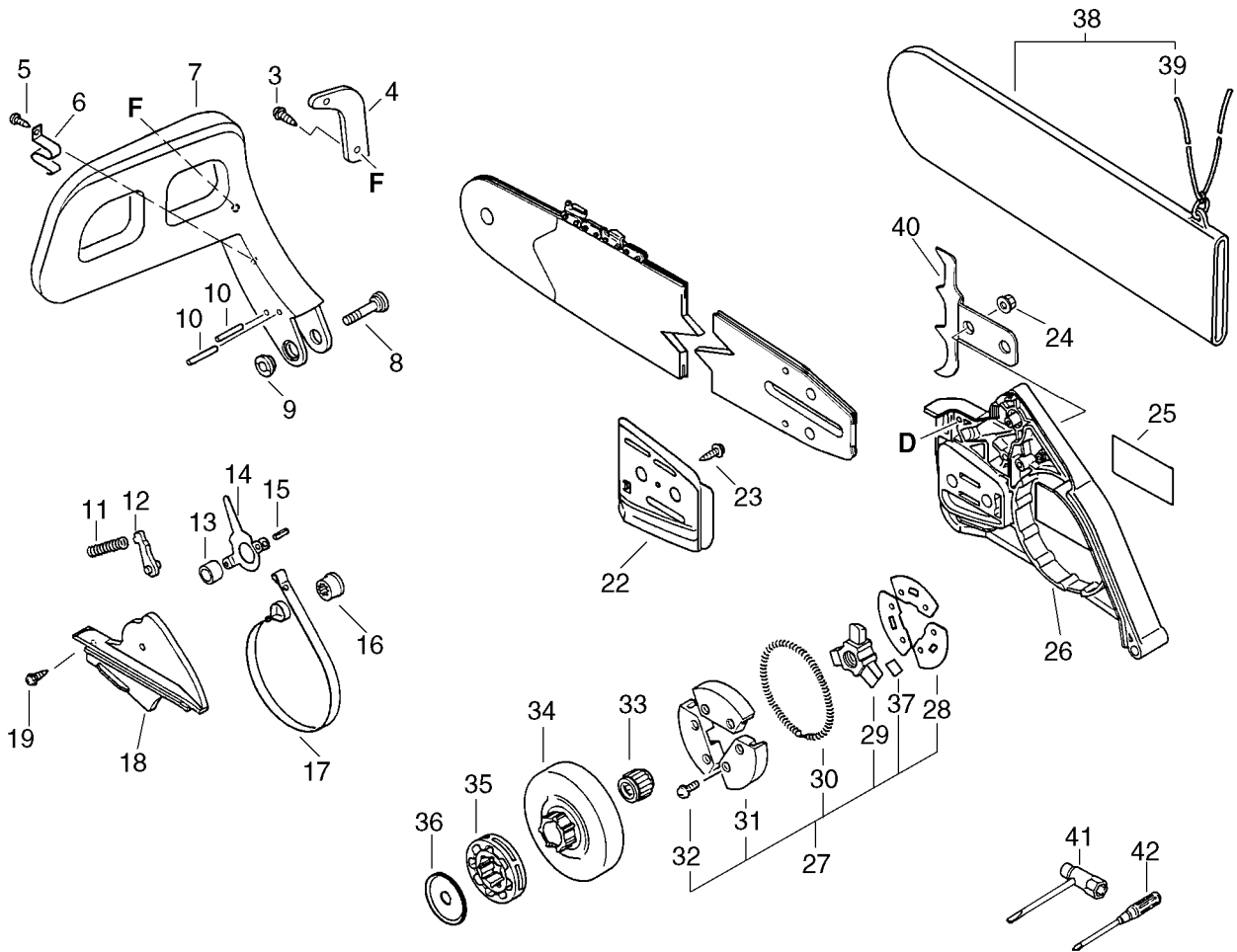


Bild	Artikelnummer	Anzahl	Beschreibung	Anmerkung
3	900267-04014	2	SCREW 4*14	
4	433171-35430	1	WEIGHT, BRAKE	
5	900252-04010	1	SCREW 4*10	
6	433114-35430	1	SPRING, RETURN	
7	433111-35430	1	LEVER, BRAKE	
8	433113-30130	1	SCREW	
9	433137-30130	1	NUT	
10	900330-30240	2	PIN 3*24	
11	433122-35430	1	SPRING, BRAKE	
12	433209-35430	1	STOPPER, BRAKE	
13	433116-35430	1	SPACER 8	
14	433208-35431	1	LEVER, BRAKE	
15 +	900330-40088	1	ROLLER 4*8.8	
16	433142-35430	1	ADJUSTER, BRAKE	
17	433123-35430	1	BAND, BRAKE	
18	433310-35430	1	COVER, BRAKE (BS)	
19	900252-04010	2	SCREW 4*10	
22	433013-35431	1	PLATE, GUIDE (INNER)	
23	900246-04008	1	SCREW 4*8	
24	433019-12330	2	NUT, FLANGE 8	

Bild	Artikelnummer	Anzahl	Beschreibung	Anmerkung
25	890118-38130	1	LABEL, ECHO	
26	433005-35430	1	GUARD, SPROCKET (BS)	
27	175000-35431	1	CLUTCH ASSY	
28 +	175019-19830	3	PLATE, CLUTCH	
29 +	175016-35430	1	HUB, CLUTCH	
30 +	175018-19830	1	SPRING, CLUTCH	
31 +	175002-19830	1	SHOE, CLUTCH	
32 +	900105-04006	6	BOLT, H.S. 4*6	
37 +	175062-35430	3	SPACER	
33	175012-14630	1	BEARING, NEEDLE	
34	175105-35430	1	DRUM, CLUTCH	
35	175114-12530	1	SPROCKET, RIM .325	
36	175015-35430	1	WASHER, CLUTCH	
38	898513-38330	1	SCABBARD, GUIDE BAR	
39 +	898568-14530	1	ROPE	
40	880210-36030	1	BUMPER, SPIKED	Sus. by 880210-36031
40	880210-36031	1	BUMPER, SPIKED	
41	895410-02830	1	WRENCH, W/S. DRIVER	
42	895812-03930	1	DRIVER, SCREW 50	

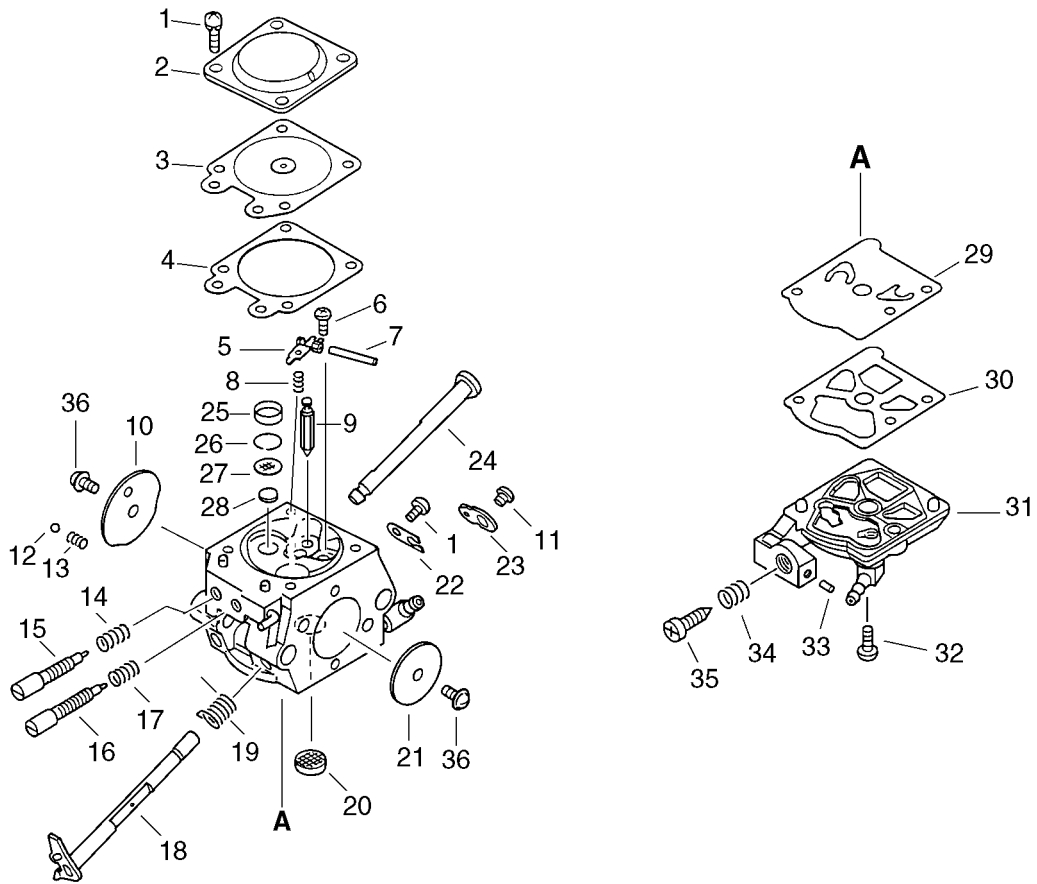


Bild	Artikelnummer	Anzahl	Beschreibung	Anmerkung	Bild	Artikelnummer	Anzahl	Beschreibung	Anmerkung
	123000-35430	1	CARBURETOR ASSY	CS-3600	16 +	123118-37330	1	NEEDLE, IDLE	CS-3900
	123000-37332	1	CARBURETOR ASSY	CS-3900	17 +	123121-22130	1	SPRING, NEEDLE	
1 +	123130-02960	5	SCREW		18 +	123117-35430	1	SHAFT, THROTTLE	
2 +	123142-03930	1	COVER, M. DIAPHRAGM		19 +	123113-37530	1	SPRING, THROTTLE RTN	
3 +	123141-03930	1	DIAPHRAGM, METERING		20 +	123126-10631	1	SCREEN, INLET	
4 +	123140-03930	1	GASKET, M. DIAPHRAGM		21 +	123116-10130	1	VALVE, THROTTLE	CS-3600
5 +	123123-03930	1	LEVER, METERING		21 +	123116-10530	1	VALVE, THROTTLE	CS-3900
6 +	123139-03930	1	SCREW, M. LEVER PIN		22 +	123127-03930	1	CLIP, THROTTLE SHAFT	
7 +	123138-03930	1	PIN, METERING LEVER		23 +	123150-35430	1	LEVER, THROTTLE	
8 +	123122-06530	1	SPRING, METER. LEVER	CS-3600	24 +	123131-35430	1	SHAFT, CHOKE	
8 +	123122-11130	1	SPRING, METER. LEVER	CS-3900	25 +	123146-17330	1	PLUG, CUP	CS-3900
9 +	123137-04260	1	VALVE, INLET NEEDLE	CS-3600	26 +	123169-10630	1	RING, RETAINING	CS-3900
9 +	123137-19830	1	VALVE, INLET NEEDLE	CS-3900	27 +	123168-10631	1	SCREEN	CS-3900
10 +	123132-35430	1	VALVE, CHOKE	CS-3600	28 +	123146-10631	1	PLUG, WELCH	CS-3900
10 +	123132-37330	1	VALVE, CHOKE	CS-3900	29 +	123112-15030	1	DIAPHRAGM, FUEL PUMP	
11 +	123114-03930	1	SCREW		30 +	123125-15030	1	GASKET, FUEL PUMP	
12 +	123136-10630	1	BALL, CHOKE FRICTION		31 +	123124-35430	1	COVER, FUEL PUMP	
13 +	123135-10630	1	SPRING, CHOKE FRICT.		32 +	123110-03930	1	SCREW, PUMP COVER	
14 +	123119-22130	1	SPRING, NEEDLE		33 +	123178-15030	1	PLUG, FRICTION	
15 +	123120-35430	1	NEEDLE, HIGH SPEED	CS-3600	34 +	123133-04260	1	SPRING, IDLE ADJUST	
15 +	123120-37330	1	NEEDLE, HIGH SPEED	CS-3900	35 +	123134-04260	1	SCREW, IDLE ADJUST	
16 +	123118-35430	1	NEEDLE, IDLE	CS-3600	36 +	123114-38830	2	SCREW	









**ECHO**®

**Motorgeräte**

*die geh'n ran*