

Stand 12.02.2001

# ERSATZTEILLISTE

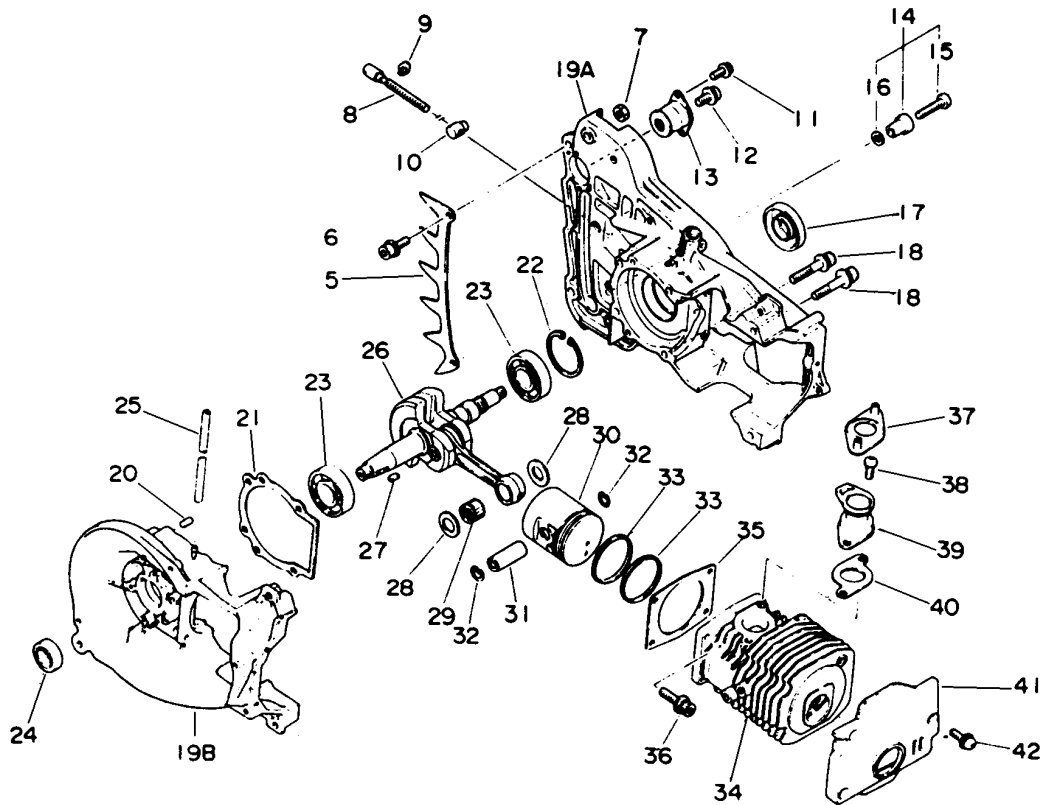
## Motorsäge CS-510EVL

ECHO-Motorgeräte  
Vertrieb Deutschland GmbH  
Otto-Schott-Str. 7

72555 Metzingen

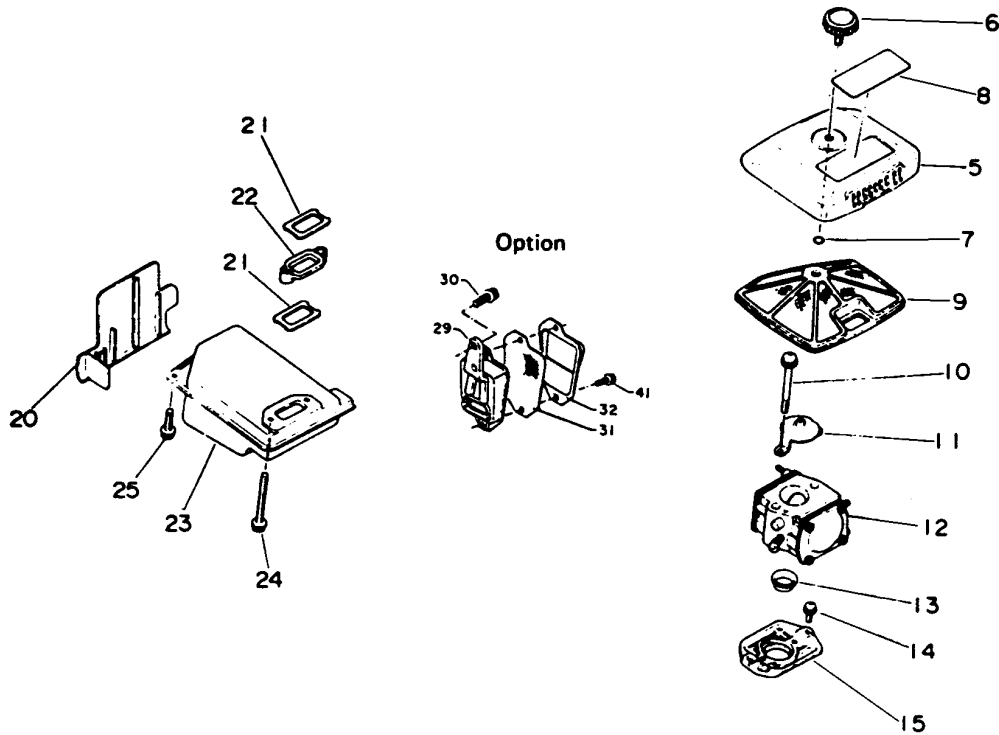
Telefon 07123-1091  
Telefax 07123-2589  
<http://www.echo-shop.de>  
email:info@echo-shop.de

## CS-510EVL 1



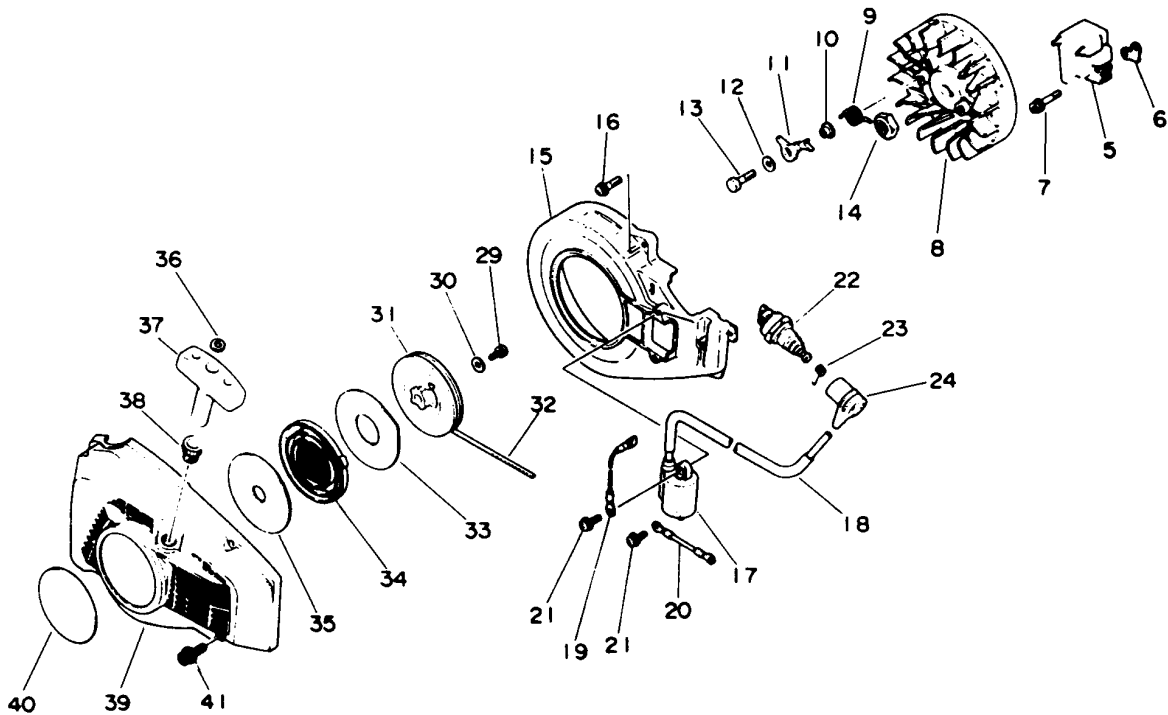
Key No.	Part Number	Q'ty	Description	Key No.	Part Number	Q'ty	Description		
1-	5	880 210-1433 0	1	Spike	1-	25	130 110-1233 0	1	Pipe, impulse
	6	900 106-0501 2	2	H.S.H. bolt 5x12		26	100 100-1733 0	1	Crankshaft ass'y
	7	433 020-0083 0	2	Lock nut 5		27	100 142-1233 0	1	Key, woodruff
	8	433 016-1103 1	1	Screw, adjustment		28	100 014-1733 0	2	Spacer
	9	433 028-1103 0	1	Clip		29	100 012-1233 0	1	Bearing, needle
	10	433 014-0283 0	1	Tensioner		30	100 010-1523 0	1	Piston
	11	900 242-0401 0	2	Screw 4x10		31	100 013-0041 0	1	Pin, piston
	12	900 242-0501 0	1	Screw 5x10		32	100 015-0012 0	2	Circlip, piston pin
	13	100 921-1233 1	1	Cushion		33	100 011-1233 0	2	Ring, piston
	14	<b>433 000-1283 0</b>	<b>1</b>	<b>Catcher, chain kit</b>		34	101 011-1523 0	1	Cylinder
	15	900 220 0502 5	1	Screw 5x25		35	101 010 1233 0	1	Gasket
	16	-900 600-0000 5	1	Washer 5		36	900 162-0502 0	4	H.S.H. bolt 5x20
	17	100 213-0283 0	1	Oil seal		37	130 034-1233 1	1	Seal
	18	900 162-0503 0	6	H.S.H. bolt 5x30		38	900 241-0501 0	2	Screw 5x10
	19	<b>100 200-1523 0</b>	<b>1</b>	<b>Crankcase set</b>		39	130 508-1233 1	1	Adapter, intake
	20	-100 215-0393 0	2	Knock		40	130 010-1233 0	1	Gasket
	21	100 242-1523 0	1	Gasket		41	101 514-1523 0	1	Cover, cylinder
	22	900 702-0003 5	1	Circlip		42	900 242-0401 4	3	Screw 4x14
	23	900 810-0620 2	2	Bearing, ball					
	24	100 213-0031 0	1	Oilseal					

**CS-510EVL 2**



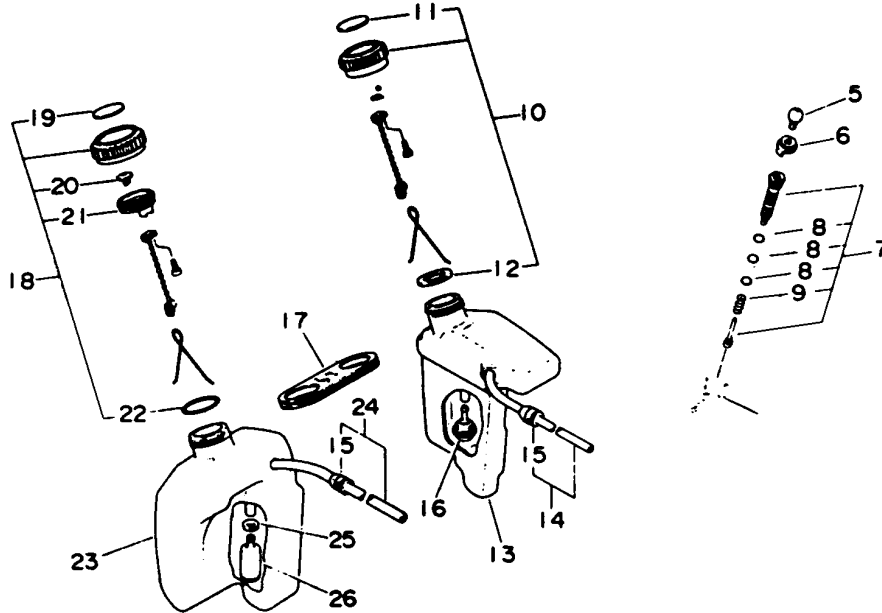
Key No.	Part Number	Q'ty	Description	Key No.	Part Number	Q'ty	Description
2- 5	130 313-1233 3	1	Cover, air cleaner	2- 15	130 013-1233.1	1	Adapter
6	130 406-1433 0	1	Nut, thumb	20	100 270-1523 0	1	Insulator
7	900 720-0000 3	1	O-ring 3	21	145 510-1523 0	2	Gasket
8	890 151-1833 0	1	Decal	22	145 511-1523 0	1	Adapter
9	130 310-1253 1	1	Filter, air	23	145 810-1233 0	1	Muffler
* 9	130 317-1233 0	1	Filter, air				
10	900 242-0504 5	2	Screw 5x45	24	900 162-0504 5	2	H.S.H. bolt 5x45
11	130 420-1233 2	1	Bracket, air cleaner	25	900 162-0502 0	1	H.S.H. bolt 5x20
12	123 000-1833 2	1	Carburetor HDA	29	145 806-1523 0	1	Adapter
13	130 511-1233 0	1	Holder, intake adapter	30	900 162-0501 4	2	H.S.H. bolt 5x14
14	900 242-0401 2	2	Screw 4x12	31	145 862-1523 0	1	Screen
* 9 Option				32	145 863-1523 0	1	Holder, screen
				41	900 242-0401 0	2	Screw 4x10

CS-510EVL 3



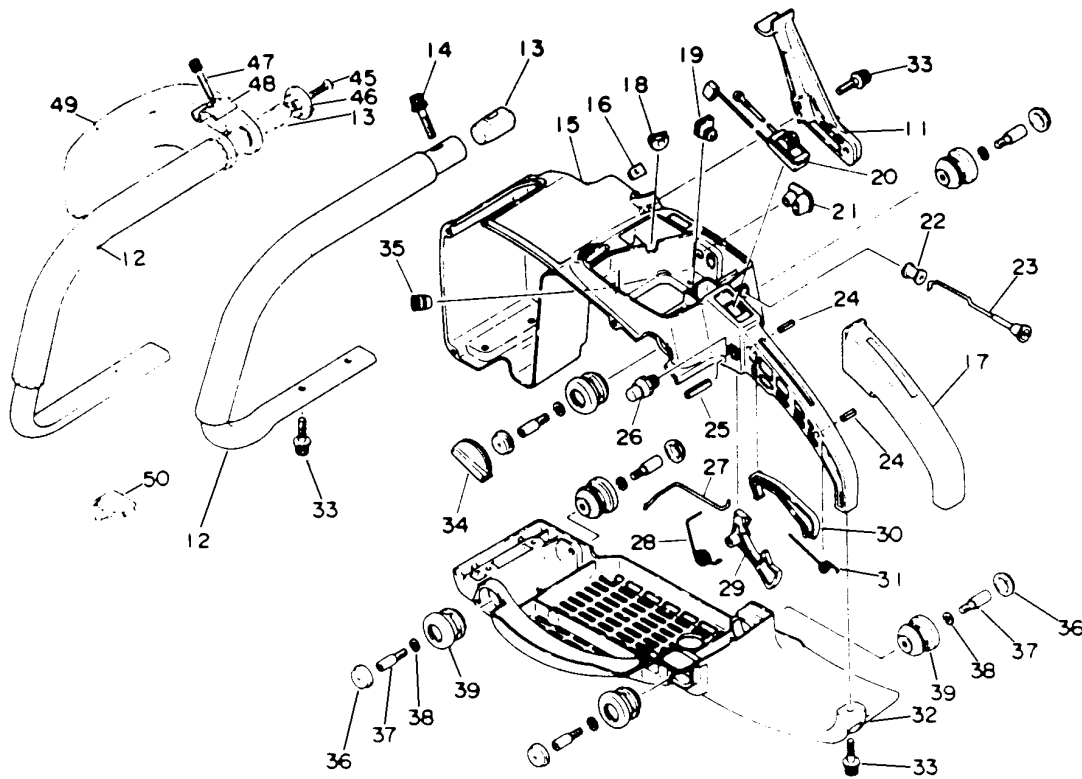
Key No.	Part Number	Q'ty	Description	Key No.	Part Number	Q'ty	Description
3- 5	156 601-1833 0	1	C.D. Ignition module	3- *	<b>177 200-1253 1</b>	1	<b>Starter ass'y</b>
6	150 117-1373 0	1	Spacer	29	-900 241-0501 0	1	Screw 5x10
7	900 162-0402 2	2	H.S.H. bolt 4x22	30	-900 603-0000 5	1	Washer 5
8	156 801-1833 0	1	Flywheel	31	-177 206-1233 1	1	Reel, starter
9	177 234-1233 0	2	Spring, pawl	32	-177 226-0283 0	1	Rope
10	177 247-1233 0	2	Spacer	33	-177 242-1233 0	1	Plate
11	177 218-1233 0	2	Pawl, starter	34	-177 220-0283 4	1	Spring, rewind
12	900 603-0000 5	2	Washer 5	35	-177 221-0283 0	1	Plate
13	900 100-0502 0	2	Bolt 5x20	36	-177 229-1433 0	1	Spacer
14	100 144-1233 1	1	Nut	37	-177 228-1233 0	1	Grip
15	101 535-1523 0	1	Cover, fan inner	38	-177 227-0023 0	1	Guide, rope
16	900 242-0402 0	4	Screw 4x20	39	-101 507-1253 1	1	Cover, fan
17	156 626-1833 0	1	Coil, ignition	40	890 112-1833 0	1	Decal
18	156 633-1523 0	1	Tube	41	900 162-0502 0	4	H.S.H. bolt 5x20
19	156 630-1523 0	1	Lead				
20	156 635-1523 0	1	Lead				
21	900 242-0401 4	2	Screw 4x14				
22	159 017-1393 0	1	Plug, spark CJ-7Y				
23	159 011-0343 2	1	Coil, plug cap				
24	159 012-0343 3	1	Cap, spark plug				

**CS-510EVL 4**



Key No.	Part Number	Q'ty	Description	Key No.	Part Number	Q'ty	Description
4- 5	900 220-0501 0	1	Screw 5x10	4- 20	-131 314-0033 0	1	Valve, check
6	437 059-1113 3	1	Stopper	21	-131 015-1453 1	1	Holder
7	<b>437 000-0343 0</b>	1	<b>Auto oiler ass'y</b>	22	-900 720-0002 2	1	O-ring 22
8	-437 020-0283 0	3	O-ring	23	131 010-1733 0	1	Tank, fuel
9	-437 019-0283 0	1	Spring	24	<b>132 007-1233 0</b>	1	<b>Pipe</b>
10	<b>436 002-1453 0</b>	1	<b>Cap ass'y, oil</b>	15	-132 115-1233 0	1	Grommet
11	-890 153-1143 0	1	Decal	25	900 603-0000 5	1	Washer 5
12	-436 012-1233 0	1	Gasket	26	131 205-0083 0	1	Strainer, fuel
13	436 010-1233 2	1	Tank, oil				
14	<b>437 205-1233 0</b>	1	<b>Pipe</b>				
15	-132 115-1233 0	1	Grommet				
16	436 205-1473 0	1	Strainer, Oil				
17	131 038-1233 1	1	Connector				
18	<b>131 600-1453 1</b>	1	<b>Cap ass'y, fuel</b>				
19	890 154-1513 0	1	Decal				

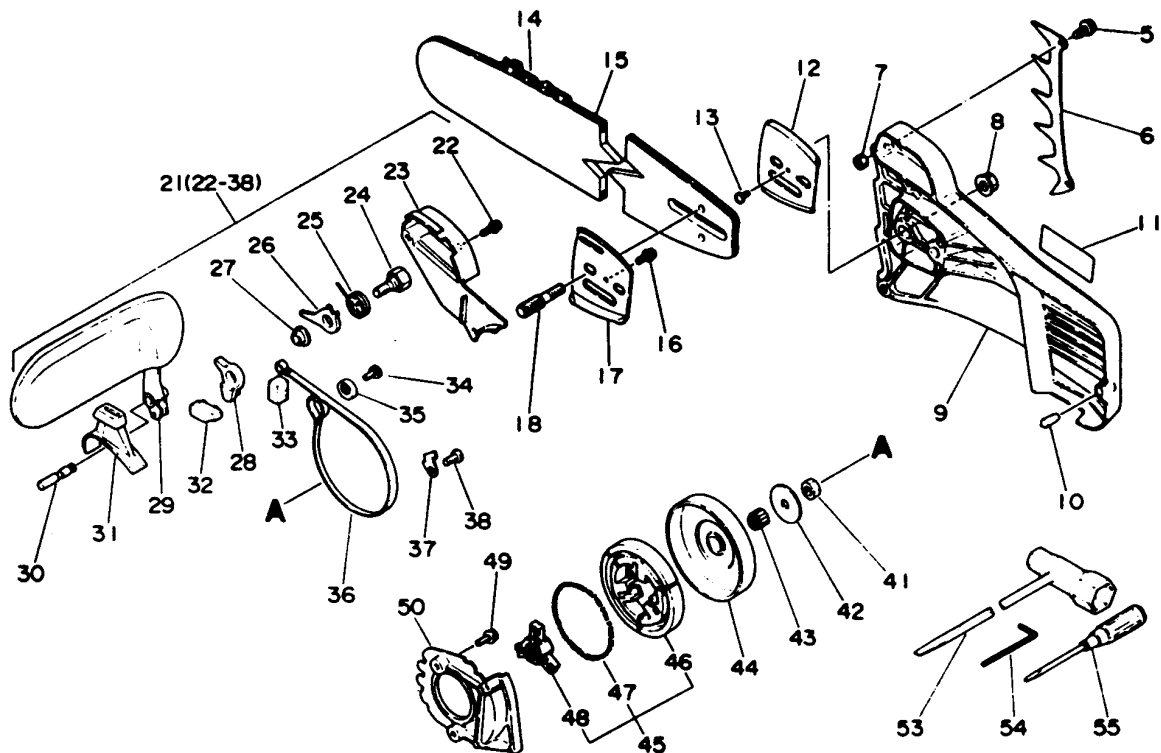
CS-510EVL 5



Key No.	Part Number	Q'ty	Description	Key No.	Part Number	Q'ty	Description
5-				5- 25	900 340 5002 5	1	Pin, spring
11	351 614-1733 0	1	Supporter	26	178 302-1233 0	1	Latch, throttle
12	<b>351 606-1733 0</b>	<b>1</b>	<b>Handle, front</b>	27	178 011-1233 1	1	Rod, throttle
13	351 617-1633 0	1	Insert	28	178 043-1513 0	1	Spring, return
14	900 162-0502 5	1	H.S.H. bolt 5x25	29	178 010 1233 3	1	Trigger, throttle
15	351 110-1233 1	1	Handle, rear	30	178 090-1233 0	1	Lockout, throttle
16	351 137-1233 0	1	Stopper	31	178 091-1053 1	1	Spring
17	351 111-1233 0	1	Grip, rear handle	32	351 123-1253 1	1	Supporter
18	130 114-1233 0	1	Grommet	33	900 162-0502 0	5	H S H bolt 5x20
19	178 210-1233 0	1	Grommet	34	351 138-1433 2	1	Cover, cushion
20	163 400-1523 0	1	Switch, stop	35	132 115-1233 0	1	Grommet
21	129 010-1233 0	1	Grommet	36	100 918-1433 0	6	Plug
22	178 810-1123 1	1	Grommet	37	100 915-1433 2	6	Screw
23	178 510-1233 0	1	Rod, choke	38	900 605-0000 5	6	Lock washer
24	900 340-4001 3	2	Pin, spring	39	100 910-1253 0	6	Cushion
				45	900 206-0501 6	1	Screw
				46	351 833-1023 0	1	Retainer
				47	900 162-0503 5	1	H S H bolt
				48	351 834-1433 0	1	Stopper
				49	351 826-1023 0	1	Hand guard, front
				50	100 612-1233 2	1	Cover

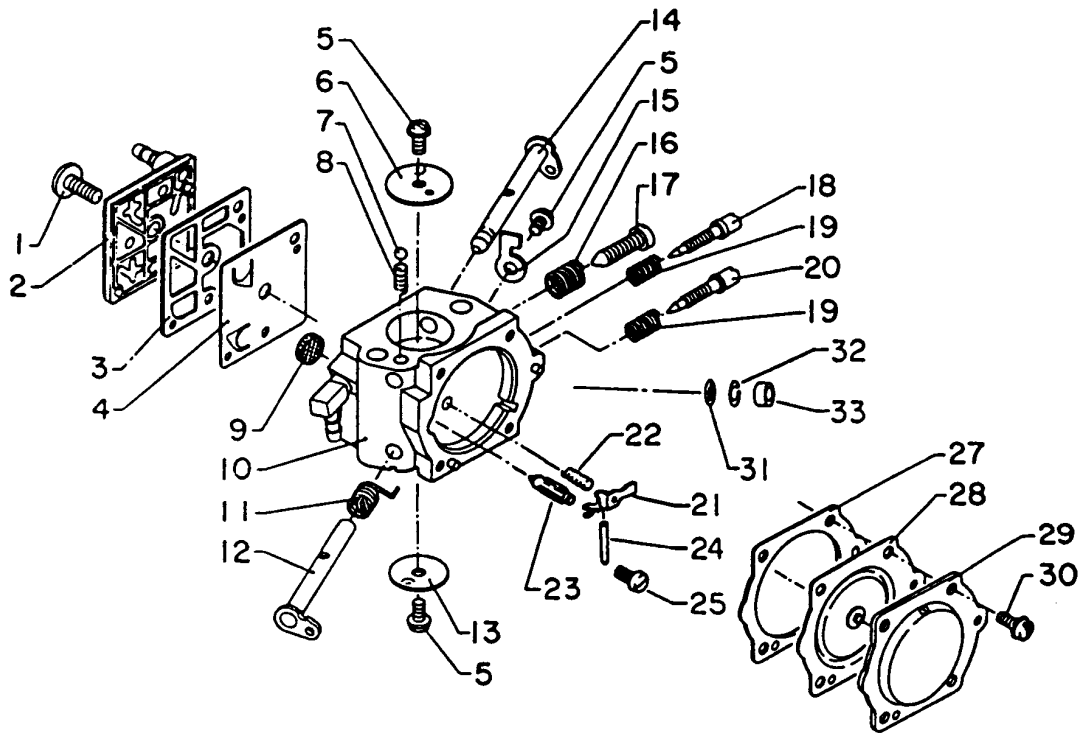
Remark: 12 Includes 13

CS-510EVL 6



Key No.	Part Number	Q'ty	Description	Key No.	Part Number	Q'ty	Description
6- 5	900 106-0501 2	2	H.S.H. bolt 5x12	6- 30	-433 113-1233 0	1	Shaft
6	880 210-1433 0	1	Spike	31	-433 312-1233 0	1	Cover. lever
7	433 020-0083 0	2	Nut, lock	32	-433 149-1253 0	1	Reset rubber
8	433 019-1233 0	2	Nut	33	-433 313-1233 0	1	Seal
9	433 010-1833 0	1	Guard, sprocket	34	-900 241-0501 0	1	Screw 5x10
10	433 030-1443 0	1	Knock	35	433 142 1233 0	1	Adjuster
11	890 118-1833 0	1	Decal, ECHO	36	433 123 1233 0	1	Band, brake
12	433 012-1233 2	1	Plate, outer	37	-433 144-1433 0	1	Retainer
13	900 220-0300 6	2	Screw 3x6	38	-900 220-0501 0	1	Screw 5x10
14	431 011-1233 0	1	Chain 76LP-60E	41	100 129-0343 0	1	Nut
15	430 211-1233 0	1	Bar, guide 40S50	42	175 015-0343 0	1	Washer
16	900 242-0401 0	1	Screw 4x10	43	100 012-1233 0	1	Bearing, needle
17	433 013-1233 2	1	Plate, inner	44	175 <del>005</del> -1433 0	1	Drum, clutch
18	433 011-1233 0	2	Stud	45	175 000-1233 0	1	Clutch ass'y
21	433 100-1733 0	1	Brake ass'y, chain	46	-175 017-0283 0	3	Shoe
22	-900 242-0401 0	3	Screw 4x10	47	-175 018-0283 0	1	Spring
23	-433 310-1233 0	1	Cover	48	-175 016-0343 0	1	Hub
24	-433 134-1233 0	1	Bolt	49	900 242-0401 4	2	Screw 4x14
25	-433 114-1233 0	1	Spring	50	175 310-1523 0	1	Seal plate
26	-433 119-1233 0	1	Stopper	53	895 410-0283 0	1	Wrench
27	-433 115-1233 0	1	Spacer	54	895 610-0013 0	1	L-wrench 4
28	-433 117-1233 0	1	Connector	55	895 812-0393 0	1	Screw driver
29	-433 105-1733 0	1	Handle				

## CS-510EVL 7



Key No.	Part Number	Q'ty	Description	Key No.	Part Number	Q'ty	Description
7- *	<b>123 000-1833 2</b>	1	<b>Carburetor ass'y HDA</b>	7- 21	-123 123-1833 0	1	Lever, metering
1	-123 110-0393 0	1	Screw, pump cover	22	-123 122-1613 1	1	Spring, m. lever
2	-123 124-1233 0	1	Cover, fuel pump	23	-123 137-1613 0	1	Valve, inlet needle
3	-123 125-1233 0	1	Gasket, fuel pump	24	-123 138-0393 0	1	Pin, metering lever
4	-123 112-1233 0	1	Diaphragm, f. pump	25	-123 139-0393 0	1	Screw, m. l. pin
5	-123 114-0393 0	3	Screw throttle valve	27	-123 140-1833 0	1	Gasket, m. diaphragm
6	-123 132-1733 0	1	Valve, choke	28	-123 141-1613 0	1	Diaphragm, metering
7	-123 136-1063 0	1	Ball, choke friction	29	-123 142-1733 0	1	Cover, m. diaphragm
8	-123 135-1063 0	1	Spring, choke friction	30	-123 130-0296 0	4	Screw
9	-123 126-1063 1	1	Screen, inlet	31	-123 168-1063 1	1	Screen, check valve
11	-123 113-1233 0	1	Spring, throttle return	32	-123 169-1063 0	1	Ring, screen
12	-123 117-1233 0	1	Shaft ass'y, throttle	33	-123 146-1733 0	1	Plug, cup
13	-123 116-0393 0	1	Valve, throttle	(10)	-Not Available	1	Body ass'y,
14	-123 131-1733 0	1	Shaft ass'y, choke				
15	-123 156-1233 0	1	Throttle stop				
16	-123 133-1113 0	1	Spring, idle screw				
17	-123 134-1113 0	1	Screw, idle adjust				
18	-123 118-1833 1	1	Needle, idle				
19	-123 121-0393 0	2	Spring, needle				
20	-123 120-1833 0	1	Needle, high speed				