

Stand 12.02.2001

ERSATZTEILLISTE

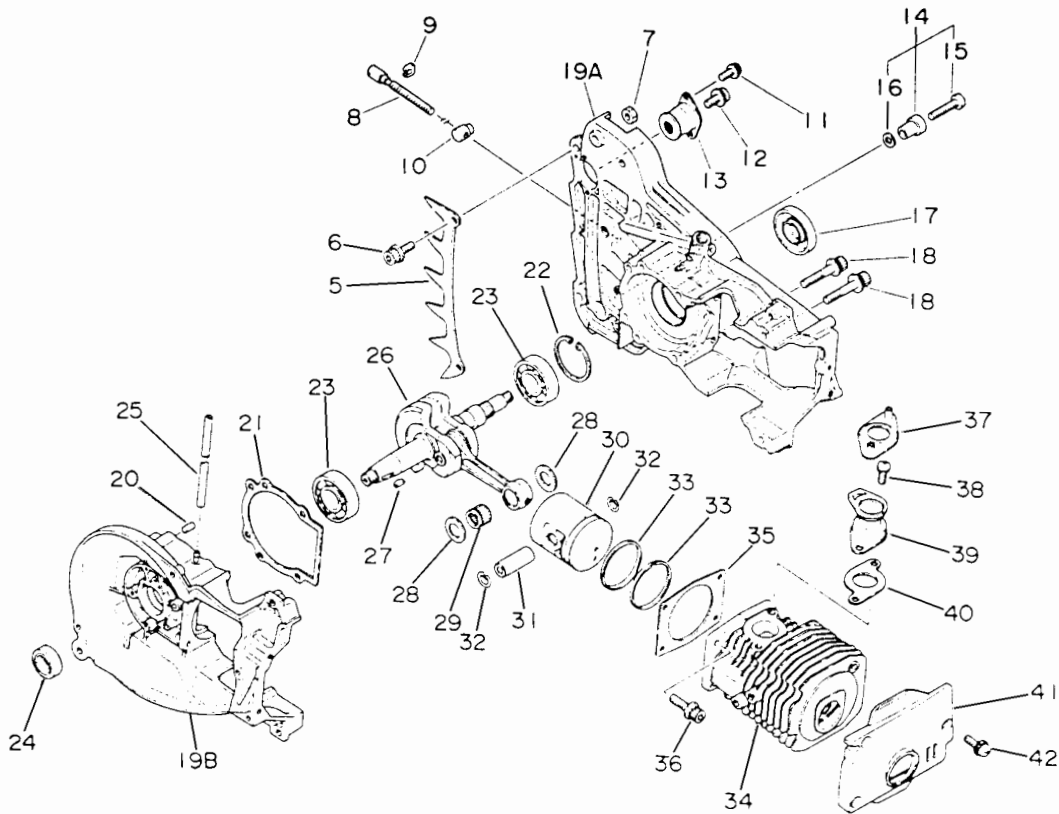
Motorsäge CS-550EVL

ECHO-Motorgeräte
Vertrieb Deutschland GmbH
Otto-Schott-Str. 7

72555 Metzingen

Telefon 07123-1091
Telefax 07123-2589
<http://www.echo-shop.de>
email: info@echo-shop.de

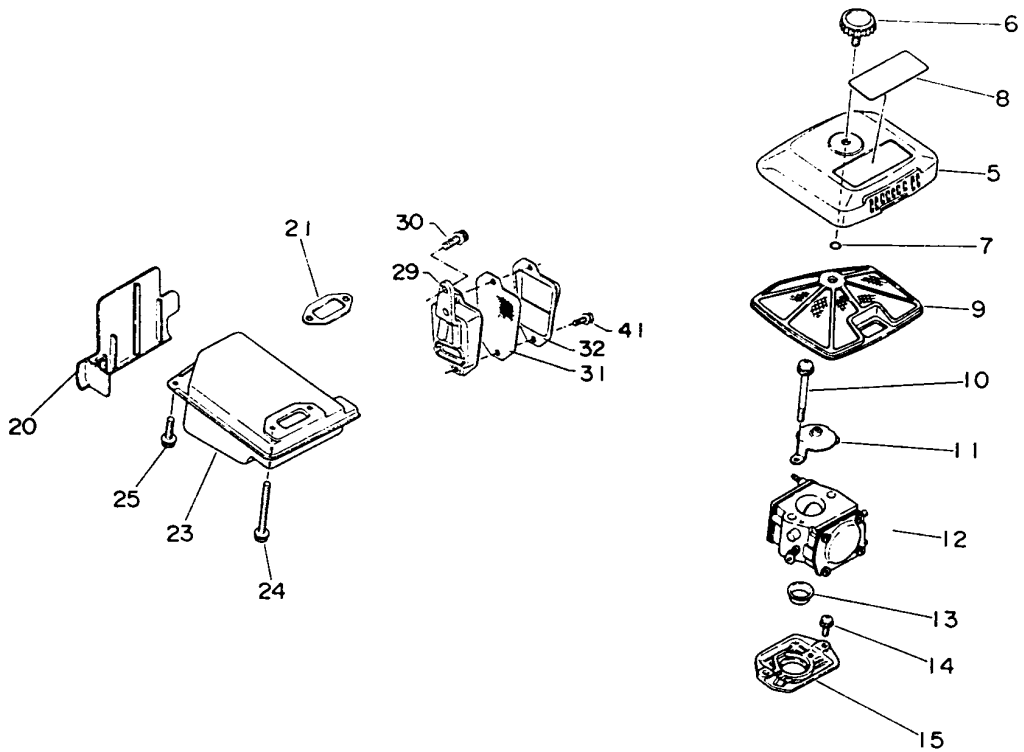
CS-550EVL 1



Key No.	Part Number	Q'ty	Description	Key No.	Part Number	Q'ty	Description	
1-	5	880 210-1433 0	1	Spike	25	130 110-1233 0	1	Pipe, impulse
	6	900 106-0501 2	2	H.S.H. bolt 5x12	26	100 100-1733 0	1	Crankshaft ass'y
	7	433 020-0083 0	2	Lock nut 5	27	100 142-1233 0	1	Key, woodruff
	8	433 016-1103 1	1	Screw, adjustment	28	100 014-1733 0	2	Spacer
	9	433 028-1103 0	1	Clip	29	100 012-1233 0	1	Bearing, needle
	10	433 014-0283 0	1	Tensioner	30	100 010-1733 0	1	Piston
	11	900 242-0401 0	2	Screw 4x10	31	100 013-0041 0	1	Pin, piston
	12	900 242-0501 0	1	Screw 5x10	32	100 015-0012 0	2	Crimp, piston pin
	13	100 921-1233 1	1	Cushion	33	100 011-1733 0	2	Ring, piston
	14	433 000-1283 0	1	Catcher, chain kit	34	101 011-1733 0	1	Cylinder
	15	-900 220-0502 5	1	Screw 5x25	35	101 010-1733 0	1	Gasket
	16	-900 600-0000 5	1	Washer 5	36	900 162-0502 0	4	H.S.H. bolt 8x20
	17	100 213-0283 0	1	Oil seal	37	130 034-1233 1	1	Seal
	18	900 162-0503 0	6	H.S.H. bolt 5x30	38	900 241-0501 0	2	Screw 8x10
	19	100 200-1523 0	1	Crankcase set	39	133 538-1233 1	1	Adapter, valve
	20	-100 215-0393 0	2	Knock	40	130 010-1233 0	1	Gasket
	21	100 242-1523 0	1	Gasket	41	101 514-1523 0	1	Cover, cylinder
	22	900 702-0003 5	1	Crimp	42	900 242-0401 4	3	Screw 4x14
	23	900 810-0620 2	2	Bearing, ball				
24	100 213-0031 0	1	Oil seal					

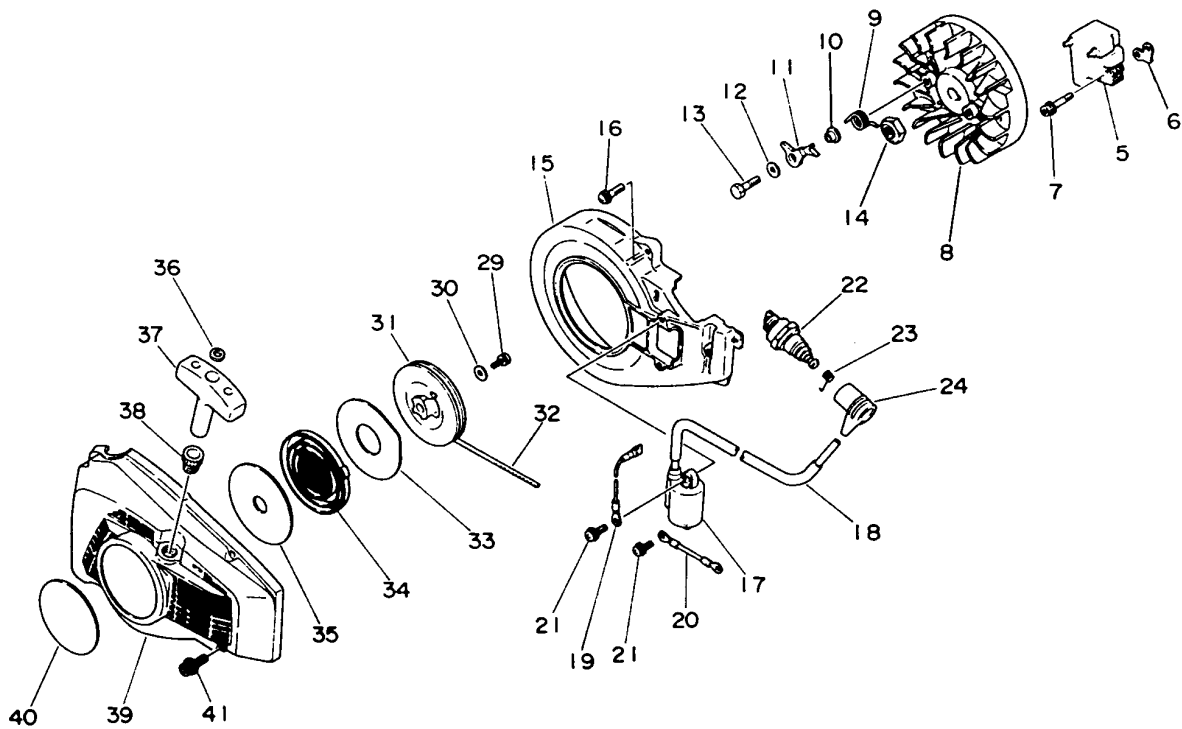
Remarks: 19 Includes 20.

CS-550EVL 2



Key No.	Part Number	Q'ty	Description	Key No.	Part Number	Q'ty	Description		
2-	5	130 313-1233 3	1	Cover, air cleaner	2-	20	100 270-1233 0	1	Insulator
	6	130 406-1433 0	1	Nut, thumb		21	145 510-1233 0	1	Gasket
	7	900 720-0000 3	1	O-ring 3		23	145 610-1733 0	1	Muffler
	8	890 151-1793 0	1	Decal		24	900 162-0504 5	2	H.S.H. bolt 5x45
	9	130 310-1253 1	1	Filter, air		25	900 162-0502 0	1	H.S.H. bolt 5x20
	(9)	130 317-1233 0	1	Filter, air		Option (29 thru 41)			
	10	900 242-0504 5	2	Screw 5x45		29	145 806-1523 0	1	Adapter
	11	130 420-1233 2	1	Bracket, air cleaner		30	900 162-0501 4	2	H.S.H. bolt 5x14
	12	123 000-1793 0	1	Carburetor HDA		31	145 862-1523 0	1	Screen
	13	130 511-1233 0	1	Holder, intake adapter		32	145 863-1523 0	1	Holder, screen
						41	900 242-0401 0	2	Screw 4x10
	14	900 242-0401 2	2	Screw 4x12					
	15	130 013-1233 1	1	Adapter					

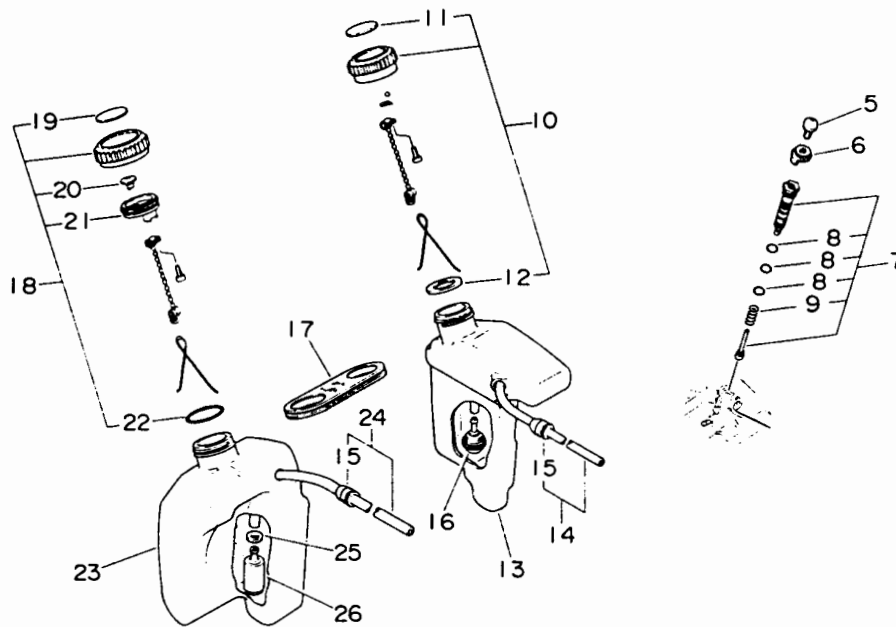
CS-550EVL 3



Key No.	Part Number	Q'ty	Description	Key No.	Part Number	Q'ty	Description
3-	5	1	C.D. Ignition module	24	159 012-0343 3	1	Cap. spark plug
	6	1	Spacer	*	177 200-1253 1	1	Starter ass'y
	7	2	H.S.H. bolt 4x22	29	-900-241-0501 0	1	Screw 5x10
	8	1	Flywheel	30	-900 603-0000 5	1	Washer 5
	9	2	Spring, pawl	31	-177 206-1233 1	1	Reel, starter
	10	2	Spacer	32	-177 226-0283 0	1	Rope
	11	2	Pawl, starter	33	-177 242-1233 0	1	Plate
	12	2	Washer 5	34	-177 220-0283 4	1	Spring, rewind
	13	2	Bolt 5x20	35	-177 221-0283 0	1	Plate
	14	1	Nut	36	-177 229-1433 0	1	Spacer
	15	1	Cover, fan inner	37	-177 228-1233 0	1	Grip
	16	4	Screw 4x20	38	-177 227-0023 0	1	Guide, rope
	17	1	Coil, ignition	39	-101 507-1253 1	1	Cover, fan
	18	1	Tube	40	890 112-1833 0	1	Decal
	19	1	Lead	41	900 162-0502 0	4	H.S.H. bolt 5x20
	20	1	Lead				
	21	2	Screw 4x14				
	22	1	Spark plug BPM7A				
	22	1	Plug, spark BPMR7A				
	23	1	Coil, plug cap				

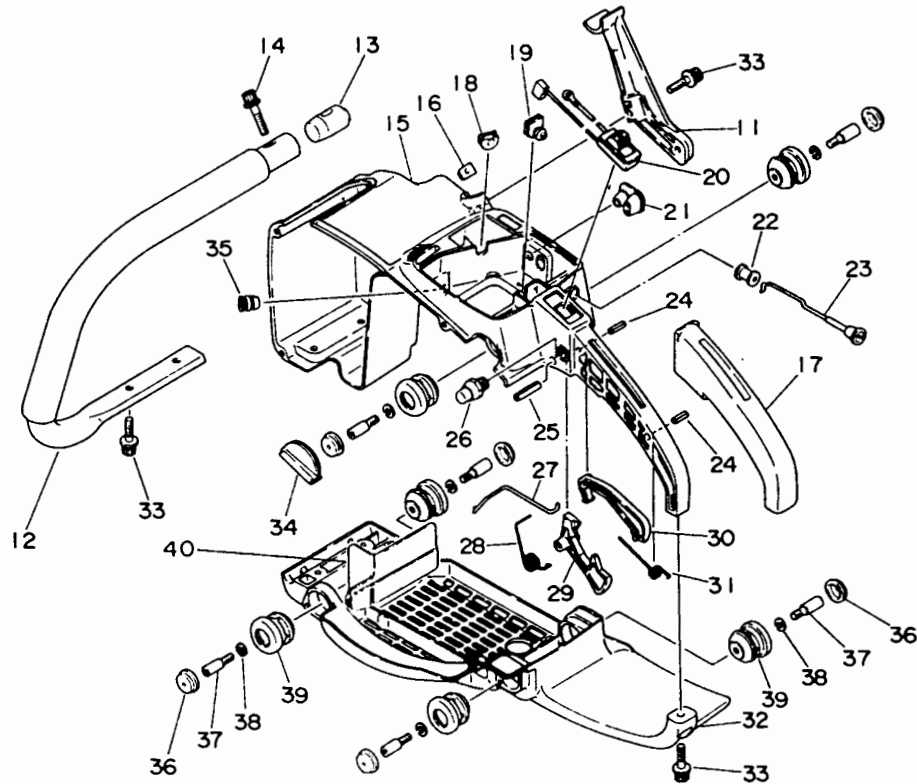
Remarks: * Consists of 29 thru 39.

CS-550EVL 4



Key No.	Part Number	Q'ty	Description	Key No.	Part Number	Q'ty	Description
4-	5	1	Screw 5x10	4-	20	1	Valve, check
	6	1	Stopper		21	1	Holder
	7	1	Auto oiler ass'y		22	1	O-ring 22
	8	3	O-ring		23	1	Tank, fuel
	9	1	Spring		24	1	Pipe
	10	1	Cap ass'y, oil		15	1	Grommet
	11	1	Decal		25	1	Washer 5
	12	1	Gasket		26	1	Strainer, fuel
	13	1	Tank, oil				
	14	1	Pipe				
	15	1	Grommet				
	16	1	Strainer, Oil				
	17	1	Connector				
	18	1	Cap ass'y, fuel				
	19	1	Decal				

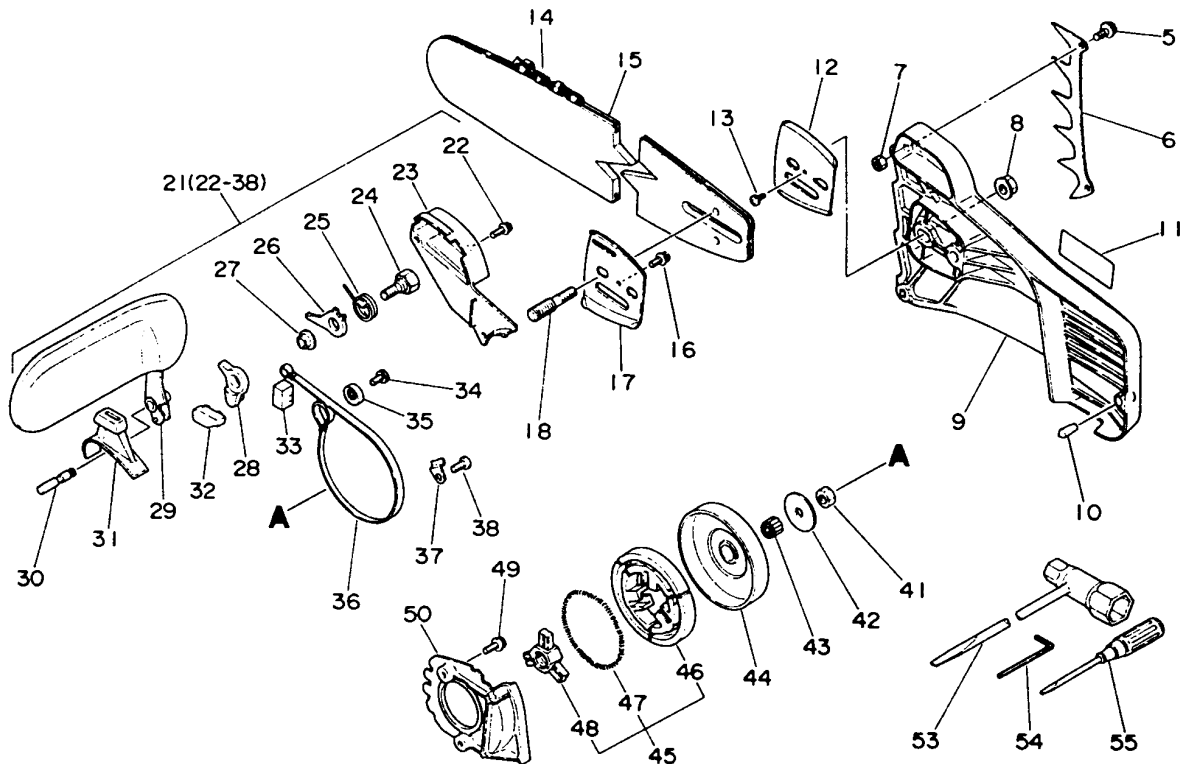
CS-550EVL 5



Key No.	Part Number	Q'ty	Description	Key No.	Part Number	Q'ty	Description
5-				5-	25	1	Pin, spring
11	351 614-1733 0	1	Supporter	26	178 302-1233 0	1	Latch, throttle
12	351 606-1733 0	1	Handle, front	27	178 011-1233 1	1	Rod, throttle
13	-351 617-1633 0	1	Insert	28	178 043-1513 0	1	Spring, return
14	900 162-0502 5	1	H.S.H. bolt 5x25	29	178 010-1233 2	1	Trigger, throttle
15	351 110-1233 1	1	Handle, rear	30	178 090-1233 0	1	Lockout, throttle
16	351 137-1233 0	1	Stopper	31	178 091-1053 1	1	Spring
17	351 111-1233 0	1	Grip, rear handle	32	351 123-1253 1	1	Supporter
18	130 114-1233 0	1	Grommet	33	900 162-0502 0	5	H.S.H. bolt 5x20
19	178 210-1233 0	1	Grommet	34	351 138-1433 2	1	Cover, cushion
20	163 400-1523 0	1	Switch, stop	35	132 115-1233 0	1	Grommet
21	129 010-1233 0	1	Grommet	36	100 918-1433 0	6	Plug
22	178 810-1123 1	1	Grommet	37	100 915-1433 2	6	Screw
23	178 510-1233 0	1	Rod, choke	38	900 605-0000 5	6	Lock washer
24	900 340-4001 3	2	Pin, spring	39	100 910-1253 0	6	Cushion
				40	351 147-1633 0	1	Insulator

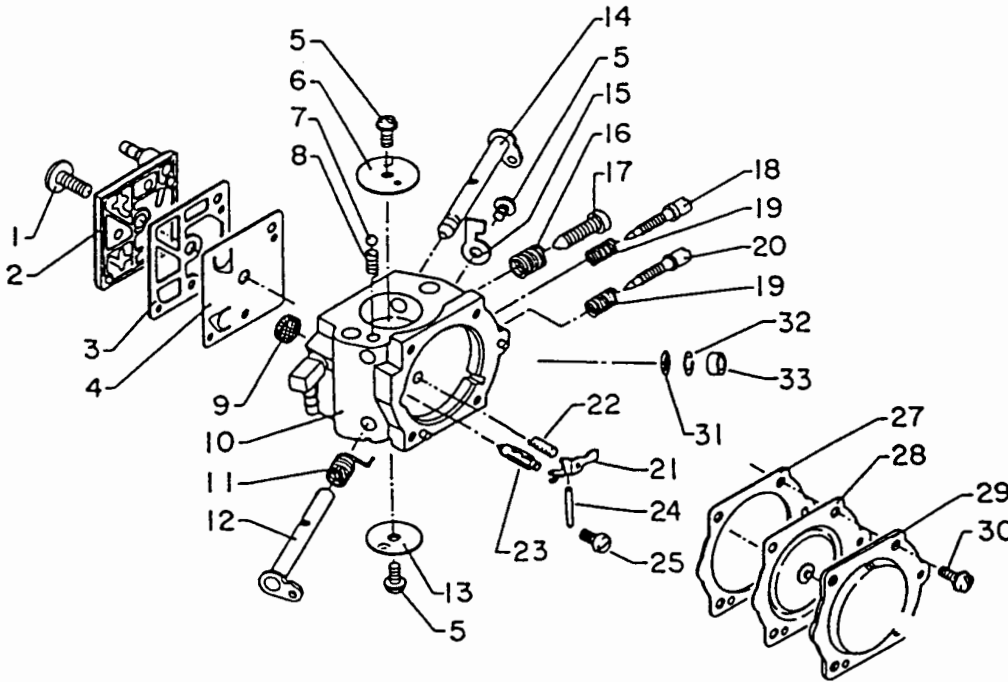
Remark: 12 Includes 13.

CS-550EVL 6



Key No.	Part Number	Q'ty	Description	Key No.	Part Number	Q'ty	Description
6-	5	2	H.S.H. bolt 5x12	6-	30	1	Shaft
	6	1	Spike	31	-433 312-1233 0	1	Cover, lever
	7	2	Nut, lock		32	1	Reset rubber
	8	2	Nut		33	1	Seal
	9	1	Guard, sprocket		34	1	Screw 5x10
	10	1	Knock		35	1	Adjuster
	11	1	Decal, ECHO		36	1	Band, brake
	12	1	Plate, outer		37	1	Retainer
	13	2	Screw 3x6		38	1	Screw 5x10
	14	1	Chain 76LP-60E		41	1	Nut
	15	1	Bar, guide 40S50		42	1	Washer
	16	1	Screw 4x10		43	1	Bearing, needle
	17	1	Plate, inner.		44	1	Drum, clutch
	18	2	Stud		45	1	Clutch ass'y
21	433 100-1733 0	1	Brake ass'y, chain		46	3	Shoe
	22	3	Screw 4x10		47	1	Spring
	23	1	Cover		48	1	Hub
	24	1	Bolt		49	2	Screw 4x14
	25	1	Spring		50	1	Seal plate
	26	1	Stopper		53	1	Wrench
	27	1	Spacer		54	1	L-wrench 4
	28	1	Connector		55	1	Screw driver
	29	1	Handle				

CS-550EVL 7



Key No.	Part Number	Q'ty	Description	Key No.	Part Number	Q'ty	Description	
7- *	123 000-1793 0	1	Carburetor ass'yHDA 14B	7- 21	-123 123-1613 0	1	Lever, metering	
1	-123 110-0393 0	1	Screw, pump cover	22	-123 122-1613 0	1	Spring, m. lever	
2	-123 124-1233 0	1	Cover, fuel pump	23	-123 137-1613 0	1	Valve, inlet needle	
3	-123 125-1233 0	1	Gasket, fuel pump	24	-123 138-0393 0	1	Pin, metering lever	
4	-123 112-1233 0	1	Diaphragm, f. pump	25	-123 139-0393 0	1	Screw, m. l. pin	
5	-123 114-0393 0	3	Screw throttle valve	27	-123 140-1613 0	1	Gasket, m. diaphragm	
6	-123 132-1613 0	1	Valve, choke	28	-123 141-1613 0	1	Diaphragm, metering	
7	-123 136-1063 0	1	Ball, choke friction	29	-123 142-1233 0	1	Cover, m. diaphragm	
8	-123 135-1063 0	1	Spring, choke friction	30	-123 130-0296 0	4	Screw	
9	-123 126-1063 1	1	Screen, inlet	31	-123 168-1063 1	1	Screen, check valve	
11	-123 113-1233 0	1	Spring, throttle return	32	-123 169-1063 0	1	Ring, screen	
12	-123 117-1233 0	1	Shaft ass'y, throttle	33	-123 146-1733 0	1	Plug, cup	
13	-123 116-0393 0	1	Valve, throttle	(10)	-Not Available	1	Body ass'y.	
14	-123 131-1733 0	1	Shaft ass'y, choke					
15	-123 156-1233 0	1	Throttle stop					
16	-123 133-1113 0	1	Spring, idle screw					
17	-123 134-0653 0	1	Screw, idle adjust					
18	-123 118-1733 0	1	Needle, idle					
19	-123 121-0393 0	2	Spring, needle					
20	-123 120-1733 0	1	Needle, high speed					
					Part Number		Description	
							Key No.	
					123 103-1733 0	1	Kit, gasket/diaphragm	3,4,27,28
					123 102-1733 0	1	Kit, kwik repair	3,4,5,7,8,9,19,22 23,27,28,30,31,32

Remarks:

- * Consists of 1 thru 33.