

# ERSATZTEILLISTE

## ECHO Motorsäge CS-8000

ECHO-Motorgeräte  
Vertrieb Deutschland GmbH  
Otto-Schott-Str. 7

72555 Metzingen

Telefon 07123-1091  
Telefax 07123-2589  
<http://www.echo-shop.de>  
email: [info@echo-shop.de](mailto:info@echo-shop.de)

# No.1

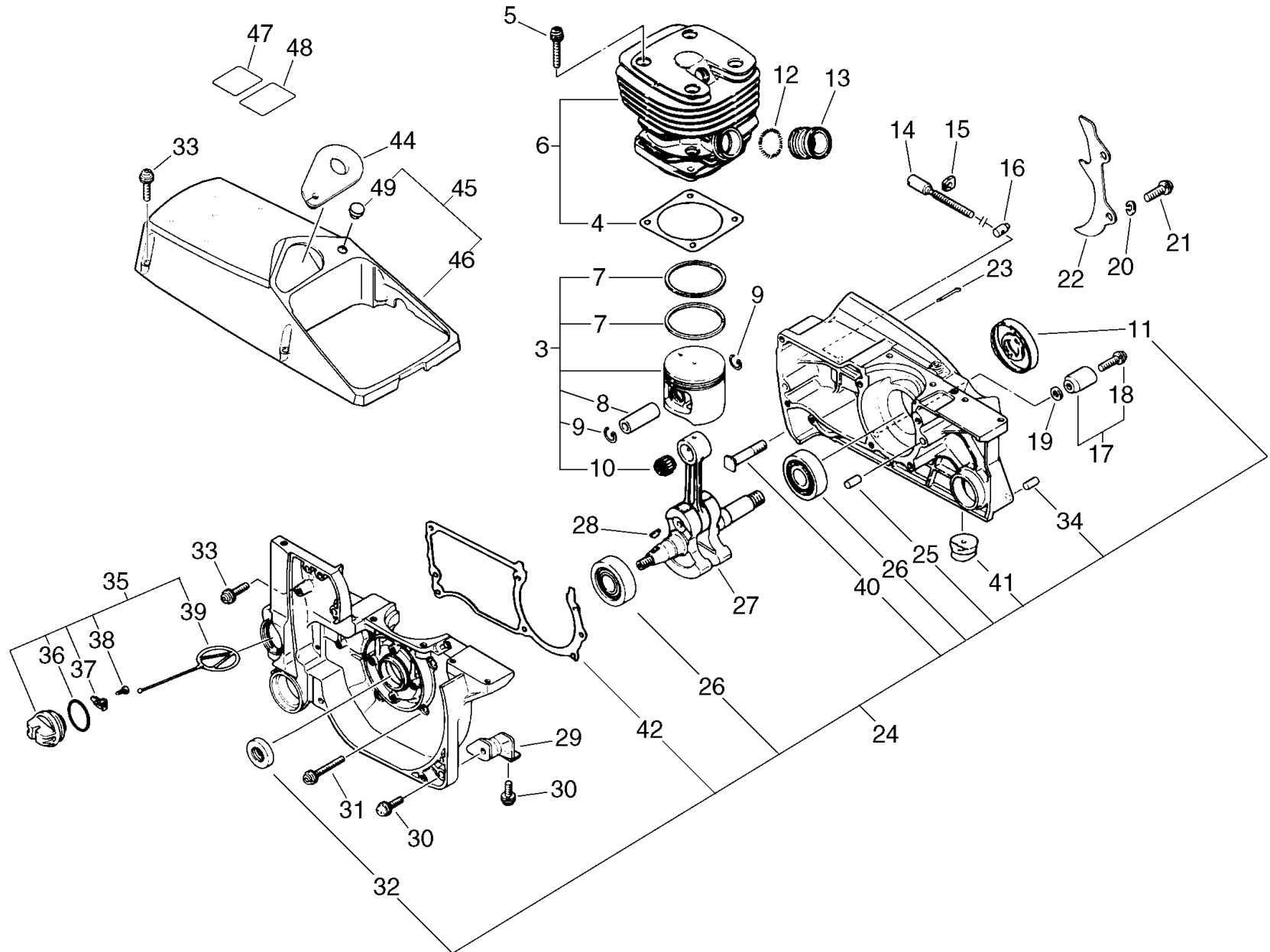


Bild		Artikelnummer	Anzahl	Bezeichnung
5		16-900162-06025	4	BOLT, H.S. 6*25
6		<b>16-101001-30833</b>	1	CYLINDER ASY
4	+	16-101010-30830	1	GASKET, CYL. BASE
3		<b>16-100000-30832</b>	1	PISTON KIT
7	+	16-100011-30831	2	RING, PISTON
8	+	16-100013-30830	1	PIN, PISTON
9	+	16-100015-30830	2	CIRCLIP, PISTON PIN
10	+	16-100012-30830	1	BEARING, NEEDLE
12		16-130516-30830	1	BAND
13		16-130510-30830	1	ADAPTER, INTAKE
14		16-433016-11031	1	SCREW, TENSIONER
15		16-433028-11030	1	CLIP
16		16-433014-02830	1	TENSIONER
17		<b>16-433000-19831</b>	1	CATCHER KIT, CHAIN
18	+	16-900162-05020	1	BOLT, H.S. 5*20
19		16-900600-00005	1	WASHER 5
20		16-900605-00006	2	WASHER, SPRING 6
21		16-900105-06020	2	BOLT, H.S. 6*20
22		16-880210-30830	1	BUMPER, SPIKED
24		<b>16-100204-30832</b>	1	CRANKCASE KIT
11	+	16-100213-30830	1	OILSEAL
23	+	16-436114-13930	1	VALVE, CHECK
25	+	16-100215-02830	2	PIN, DOWEL
26	+	16-900810-36203	2	BEARING, BALL
32	+	16-100212-19830	1	OILSEAL
34	+	16-900345-50010	1	PIN, SPRING 5*10SUS
40	+	16-433011-19830	2	STUD, GUIDE BAR
41	+	16-100251-19830	1	CUSHION
42	+	16-100242-30830	1	GASKET, CRANKCASE
27		16-100100-30830	1	CRANKSHAFT ASY
28		16-100142-30830	1	KEY, WOODRUFF
29		16-100921-30830	1	CUSHION
30		16-900162-05014	2	SCREW 5*14
31		16-900162-05035	4	SCREW 5*35
33		16-900162-05020	5	SCREW 5*20
35		<b>16-436001-19833</b>	1	CAP ASY, OIL
36	+	16-900721-00025	1	O-RING
37	+	16-131050-19830	1	RETAINER, LINK
38	+	16-900246-03008	1	SCREW 3*8
39	+	16-131051-19830	1	LINK
44		16-101514-30831	1	PLATE, GUIDE
45		<b>16-101501-31730</b>	1	COVER, CYLINDER
46	+	16-101514-30831	1	COVER, CYLINDER
49	+	16-101578-30830	1	PLUG
47		16-890623-13930	1	LABEL, NOISE
48		16-890162-14930	1	LABEL, CAUTION C.B.

## No.2

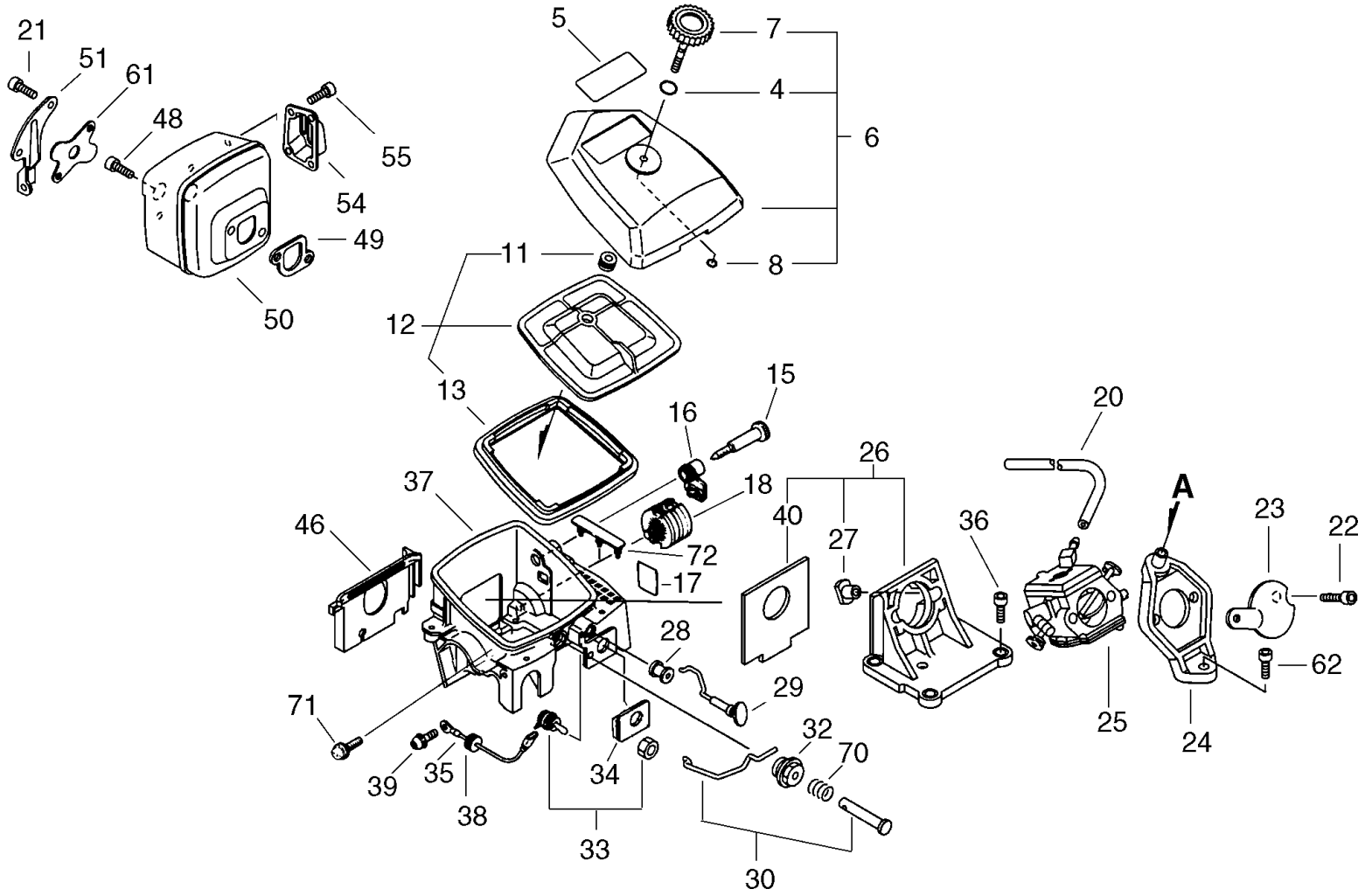


Bild		Artikelnummer	Anzahl	Bezeichnung
5		16-890151-31730	1	LABEL, MODEL
6		16-130302-30830	1	COVER SET, AIR CLN
4	+	16-900720-00010	1	O-RING 10
7	+	16-130406-30830	1	NUT, THUMB
8	+	16-900720-00003	1	O-RING 3
12		16-130303-30831	1	FILTER, AIR
11	+	16-130356-19830	1	GROMMET
13	+	16-130320-30831	1	SEAL
15		16-129013-30831	1	SCREW, IDLE SPEED
16		16-129010-19830	1	GROMMET
17		16-890169-30130	1	DECAL
18		16-100905-19830	1	CUSHION
20		16-130110-30830	1	PIPE, IMPULSE
21		16-900162-05014	2	BOLT, H.S. 5*14
22		16-900162-05055	2	BOLT, H.S. 5*55
23		16-129011-19831	1	PLATE
24		16-130405-30830	1	SUPPORTER, FILTER
25		16-123000-30832	1	CARBURETOR ASY
26		16-130007-30830	1	INSULATOR
27	+	16-130020-19830	2	NUT
40	+	16-130012-30830	1	SEAL, DUST
28		16-178810-11231	1	GROMMET
29		16-178510-30830	1	ROD, CHOKE
30		16-178307-30830	1	ROD, THROTTLE
32		16-178114-19830	1	HOLDER, THR. LEVER
33		16-163400-30830	1	SWITCH, IGNITION
34		16-890157-19830	1	LABEL, SWITCH
35		16-162021-30830	1	LEAD
36		16-900162-05025	4	BOLT, H.S. 5*25
37		16-130306-30830	1	CASE, CARBURETOR(BS)
38		16-156114-04920	1	GROMMET
39		16-900242-04008	1	SCREW 4*8
46		16-101529-30830	1	PLATE, GUIDE (A)
48		16-900162-06020	2	BOLT, H.S. 6*20
49		16-145510-30830	1	GASKET, MUFFLER
50		16-145610-30830	1	MUFFLER
51		16-145711-30830	1	BRACKET, MUFFLER
54		16-145861-30830	1	LID, MUFFLER
55		16-900162-04010	4	BOLT, H.S. 4*10
61		16-145813-31730	1	COVER, MUFFLER
62		16-900162-05020	1	BOLT, H.S. 5*20
70		16-178078-19830	1	SPRING
71		16-900220-04008	1	SCREW 4*8
72		16-130339-30830	1	PLUG

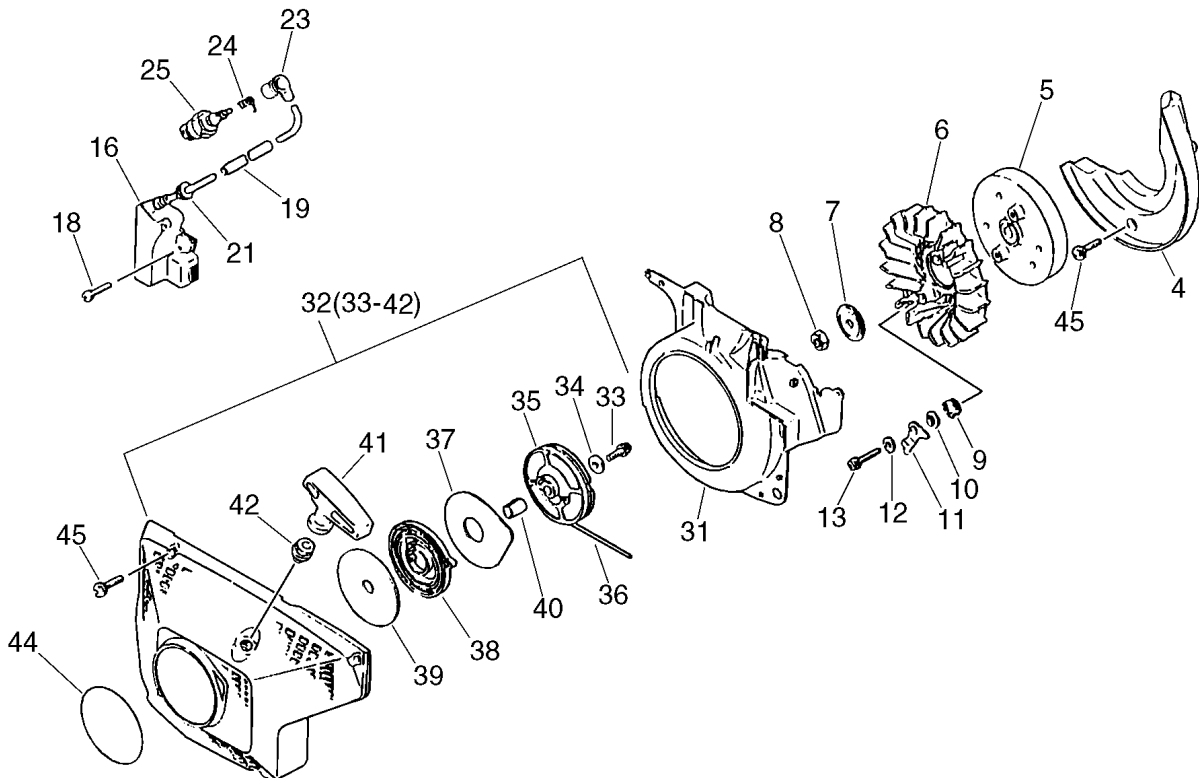


Bild	Artikelnummer	Anzahl	Bezeichnung
4	16-101534-30830	1	PLATE, GUIDE
5	16-156800-32631	1	ROTOR, MAGNETO
6	16-101521-30832	1	FAN, COOLING
7	16-100143-19830	1	WASHER
8	16-433019-12330	1	NUT, FLANGE 8
9	16-177234-30830	2	SPRING, RETURN
10	16-177247-12331	2	SPACER, RATCHET
11	16-177218-30830	2	PAWL, STARTER
12	16-900603-00005	2	WASHER 5
13	16-900162-05030	2	BOLT, H.S. 5*30
16	16-156601-30831	1	COIL, IGNITION
18	16-900162-04020	2	BOLT, H.S. 4*20
19	16-150611-30830	1	TUBE
21	16-152112-05730	1	BUSHING
23	16-159012-03433	1	CAP, SPARK PLUG
24	16-159011-03432	1	COIL, SPARK PLUG CAP
25	16-159017-16431	1	PLUG, SPARK (CJ-6Y)
31	16-101535-30830	1	COVER, FAN
32	<b>16-177200-30831</b>	1	STARTER ASY
33	+ 16-900162-05014	1	BOLT, H.S. 5*14
34	+ 16-177214-02830	1	WASHER
35	+ 16-177206-14330	1	DRUM, STARTER
36	+ 16-177226-07060	1	ROPE, STARTER
37	+ 16-177242-30830	1	PLATE, STARTER
38	+ 16-177220-02834	1	SPRING, REWIND
39	+ 16-177221-02830	1	PLATE, STARTER
40	+ 16-177216-12330	1	COLLAR
41	+ 16-177228-30830	1	GRIP, STARTER
42	+ 16-177227-07060	1	GUIDE, ROPE
44	16-890118-17930	1	LABEL, ECHO
45	16-900162-05020	6	BOLT, H.S. 5*20

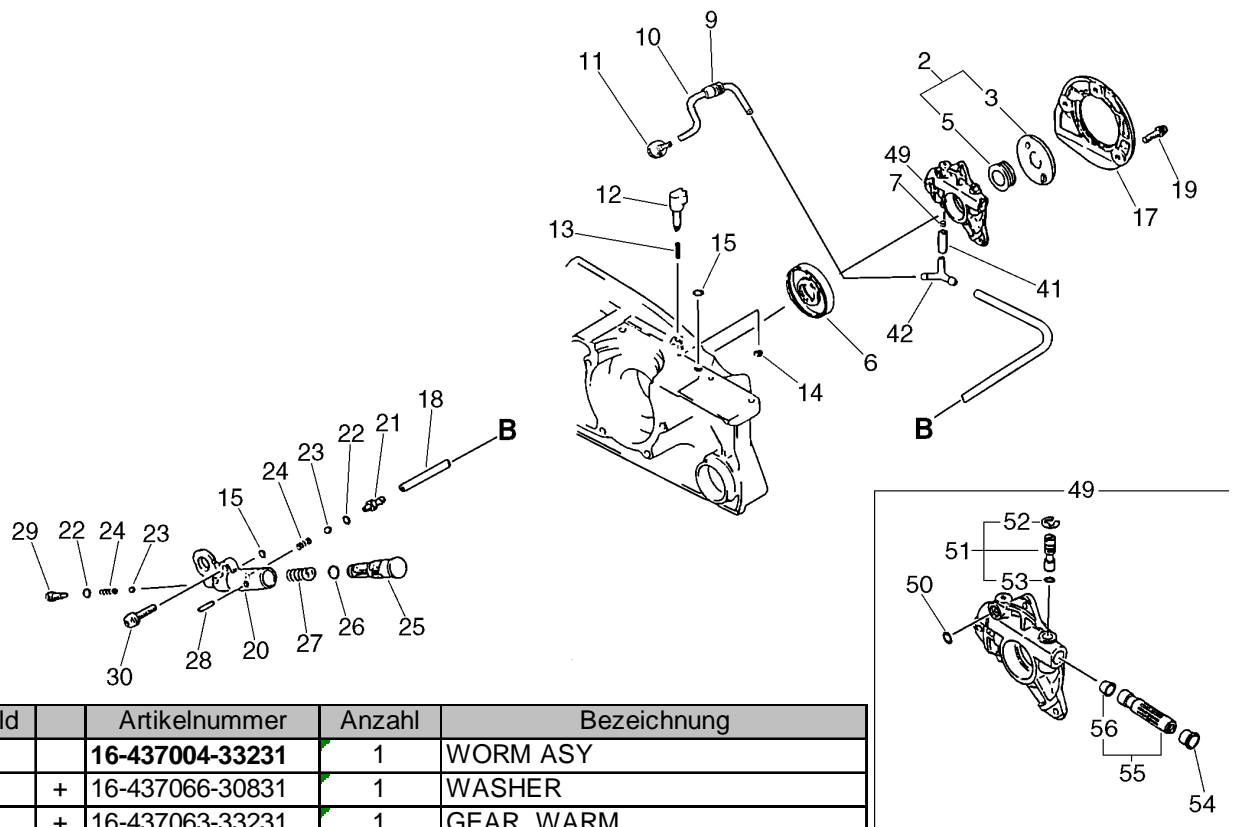


Bild		Artikelnummer	Anzahl	Bezeichnung
2		<b>16-437004-33231</b>	1	WORM ASY
3	+	16-437066-30831	1	WASHER
5	+	16-437063-33231	1	GEAR, WARM
6		16-100213-30830	1	OILSEAL
7		16-132013-26630	1	CLIP
9		16-132115-12330	1	GROMMET
10		16-437210-38330	1	PIPE, FUEL
11		16-436205-14730	1	STRAINER, OIL
12		16-437039-30830	1	KNOB
13		16-437015-19830	1	SPRING
14		16-900700-00003	1	E-RING 3
15		16-900720-00003	2	O-RING 3
17		16-437605-32430	1	COVER, OIL PUMP
18		16-437210-30830	1	PIPE, OIL
19		16-900162-04014	3	BOLT, H.S. 4*14
		<b>16-437100-19832</b>	1	OILER ASY, MANUAL
20	+	16-437110-19831	1	BODY, OIL PUMP
21	+	16-437118-19830	1	NIPPLE
22	+	16-437122-03430	2	O-RING
23	+	16-437012-00330	2	VALVE, BALL
24	+	16-V450-000290	2	SPRING, COMPRESSION
25	+	16-437112-19831	1	PISTON, MANUAL
26	+	16-900720-00007	1	O-RING 7
27	+	16-437111-19830	1	SPRING
28	+	16-900345-20016	1	PIN, SPRING 2*16SUS
29	+	16-437121-10130	1	ADAPTER, OIL PUMP
30		16-900162-05020	1	BOLT, H.S. 5*20
41		16-437211-32430	1	PIPE
42		16-437212-32430	1	CONNECTOR, OIL PIPE
49		<b>16-437002-37530</b>	1	AUTO-OILER ASSY
50	+	16-900720-00003	1	O-RING 3
51	+	16-437009-35430	1	PIN, CONTROL
52	++	16-437065-19830	1	CLIP
53	++	16-437030-19830	1	O-RING
54	+	16-437062-19830	1	CAP, PLUNGER
55	+	16-437006-32330	1	PLUNGER KIT
56	++	16-437020-32430	1	V-RING

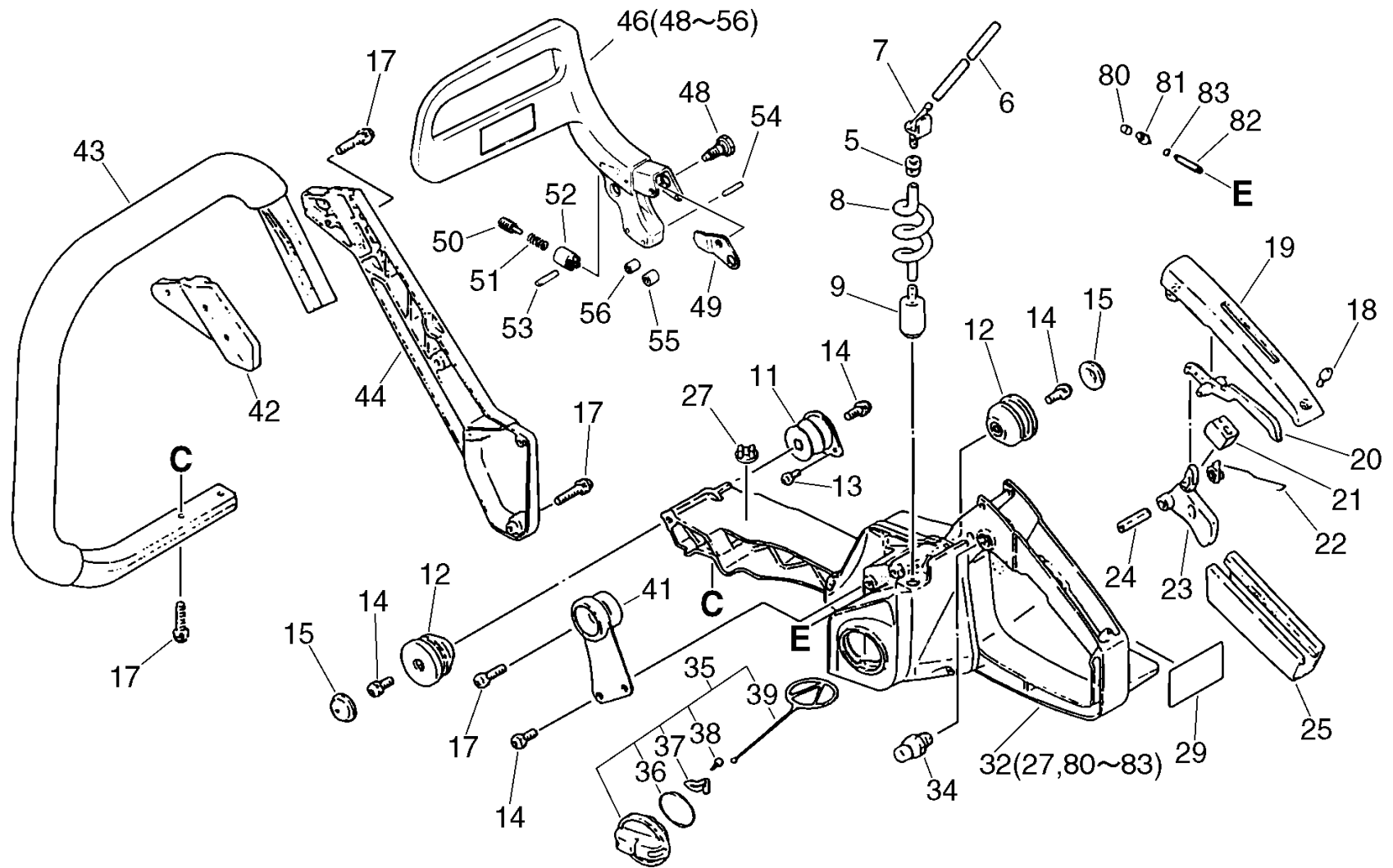




Bild		Artikelnummer	Anzahl	Bezeichnung
5		16-132115-01461	1	GROMMET
6		16-132012-02960	1	PIPE, FUEL
7		16-132011-19830	1	CONNECTOR, FUEL PIPE
8		16-132010-30830	1	PIPE
9		16-131205-19830	1	STRAINER, FUEL
11		16-100922-30830	1	CUSHION
12		16-100910-30830	2	CUSHION
13		16-900162-04010	2	BOLT, H.S. 4*10
14		16-900162-05014	5	BOLT, H.S. 5*14
15		16-100918-19830	2	CAP, CUSHION
17		16-900162-05020	9	BOLT, H.S. 5*20
18		16-900162-04014	1	BOLT, H.S. 4*14
19		16-351155-30131	1	COVER, HANDLE
20		16-178090-30130	1	LOCKOUT, T. CONTROL
21		16-178073-32430	1	CUSHION, THROTTLE
22		16-178043-19830	1	SPRING, THR. RETURN
23		16-178010-19830	1	CONTROL, THROTTLE
24		16-900342-50025	1	PIN, SPRING 5*25
25		16-351111-19830	1	GRIP, HANDLE
29		16-890155-30130	1	LABEL, CAUTION
32		<b>16-351103-30832</b>	1	HANDLE, W/FUEL TANK
27	+	16-100252-30830	1	CUSHION
80	+	16-131300-56430	1	VENT ASSEMBLY
81	+	16-131328-40630	1	COVER, VENT
82	+	16-437210-31730	1	PIPE 3*5*40
83	+	16-130111-00530	1	CLIP
34		16-178302-12330	1	LATCH, THROTTLE
35		<b>16-131004-19831</b>	1	CAP ASY, FUEL TANK
36	+	16-900720-20029	1	O-RING 29
37	+	16-131050-19830	1	RETAINER, LINK
38	+	16-900246-03008	1	SCREW 3*8
39	+	16-131051-19830	1	LINK
41		16-100917-30830	1	CUSHION
42		16-351614-30831	1	BRACKET, F. HANDLE
43		16-351606-30830	1	HANDLE, FRONT
44		16-351613-30831	1	SUPPORTER, F. HNDL(BS)
46		<b>16-433201-30830</b>	1	LEVER ASY, BRAKE
48	+	16-351344-19830	1	SCREW
49	+	16-433163-19930	1	STOPPER
50	+	16-433164-19930	1	BOLT
51	+	16-433165-19930	1	SPRING
52	+	16-433166-19930	1	SPACER
53	+	16-900330-20200	1	PIN 2*20
54	+	16-900330-30180	3	PIN 3*18
55	+	16-433167-19931	1	SPACER
56	+	16-433168-19930	1	SPACER (B)

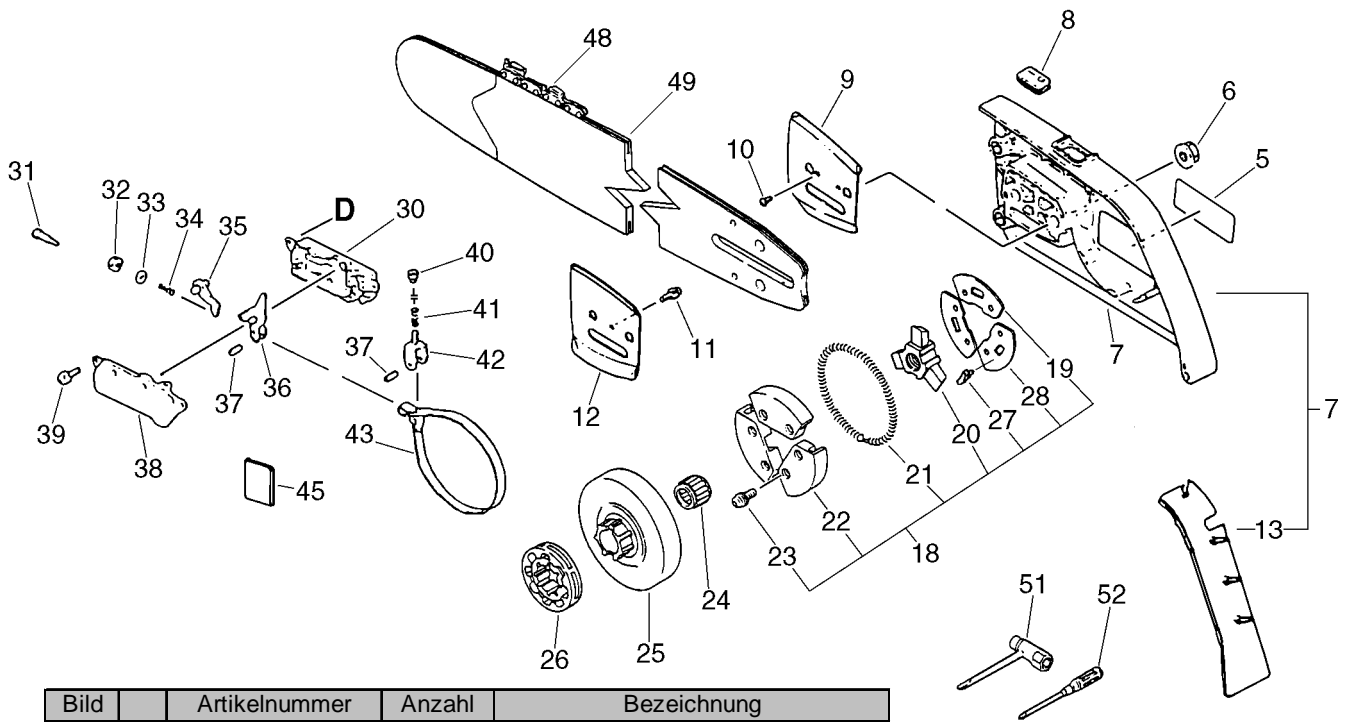


Bild	Artikelnummer	Anzahl	Bezeichnung
5	16-890118-38130	1	LABEL, ECHO
6	16-433019-12330	2	NUT, FLANGE 8
7	<b>16-433002-30831</b>	1	GUARD, SPROCKET (BS)
13	+ 16-433025-30830	1	PAD
8	16-433312-19930	1	COVER, SEAL
9	16-433012-30830	1	PLATE, GUIDE (OUTER)
10	16-900241-03006	2	SCREW 3*6
11	16-900241-04008	1	SCREW 4*8
12	16-433013-30830	1	PLATE, GUIDE (INNER)
18	<b>16-175000-30832</b>	1	CLUTCH ASY
19	+ 16-175019-30830	2	PLATE, CLUTCH
20	+ 16-175016-30830	1	HUB, CLUTCH
21	+ 16-175018-30830	1	SPRING, CLUTCH
22	+ 16-175002-30831	1	SHOE, CLUTCH
23	+ 16-900105-04008	6	BOLT, H.S. 4*8
27	+ 16-175059-30830	1	PLATE, SPRING
28	+ 16-175029-30830	1	PLATE, CLUTCH
24	16-175012-30831	1	BEARING, NEEDLE
25	16-175105-30830	1	DRUM, CLUTCH
26	16-175033-14731	1	SPROCKET, RIM 68210S
	<b>16-433202-30830</b>	1	BRAKE KIT, CHAIN
30	+ 16-433306-19930	1	COVER, BRAKE
31	+ 16-433133-19930	1	BOLT
32	+ 16-900502-00005	1	NUT 5 (3N)
33	+ 16-433162-19930	1	WASHER
34	+ 16-433122-19930	1	SPRING, BRAKE
35	+ 16-433209-19930	1	STOPPER
36	+ 16-433208-19930	1	LEVER, BRAKE
37	+ 16-900345-40010	2	PIN, SPRING 4*10
38	+ 16-433310-19931	1	COVER, BRAKE
39	+ 16-900162-04010	2	BOLT, H.S. 4*10
40	+ 16-433169-19931	1	NUT, ADJUSTING
41	+ 16-433161-19930	1	SPRING
42	+ 16-433142-19931	1	ADJUSTER, BRAKE
43	+ 16-433123-30830	1	BAND, BRAKE
45	+ 16-433313-19930	1	SEAL, DUST
48	16-431013-30830	1	CHAIN, SAW 73LG-84E
49	16-430213-30831	1	BAR, GUIDE 60RS58-3/8
51	16-895410-02830	1	WRENCH, W/S. DRIVER
52	16-895812-03930	1	DRIVER, SCREW 50

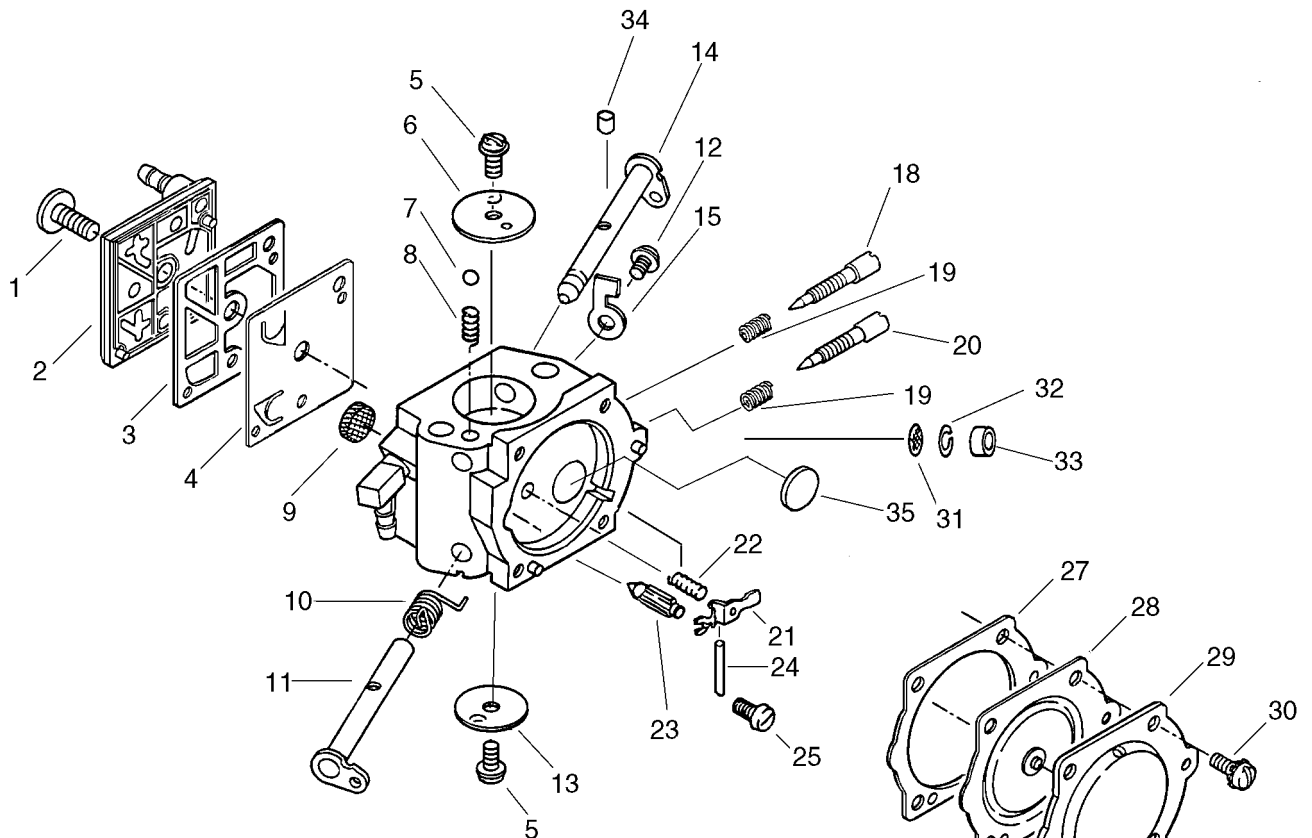
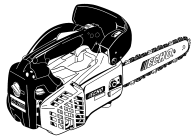
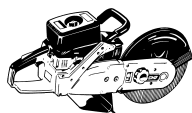
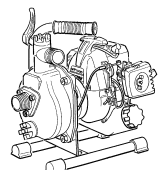

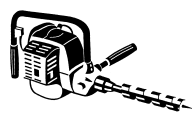
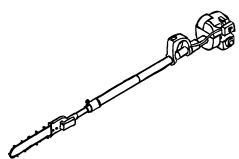
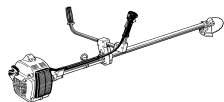
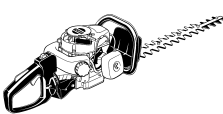


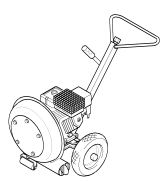

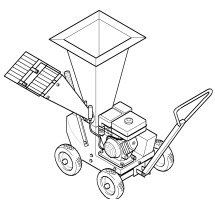
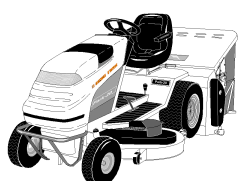



Bild		Artikelnummer	Anzahl	Bezeichnung
		16-123000-30832	1	CARBURETOR ASY
1	+	16-123110-16130	1	SCREW, PUMP COVER
2	+	16-123124-19830	1	COVER, FUEL PUMP
3	+	16-123125-12330	1	GASKET, FUEL PUMP
4	+	16-123112-12330	1	DIAPHRAGM, FUEL PUMP
5	+	16-123114-38830	2	SCREW
6	+	16-123132-17330	1	VALVE, CHOKE
7	+	16-123136-10630	1	BALL, CHOKE FRICTION
8	+	16-123135-10630	1	SPRING, CHOKE FRICT.
9	+	16-123126-10631	1	SCREEN, INLET
10	+	16-123113-16130	1	SPRING, THRT. RETURN
11	+	16-123117-32430	1	SHAFT, THROTTLE
12	+	16-123114-38830	1	SCREW
13	+	16-123116-16130	1	VALVE, THROTTLE
14	+	16-123131-19830	1	SHAFT, CHOKE
15	+	16-123156-12330	1	STOP, THROTTLE
18	+	16-123120-30830	1	NEEDLE, HIGH SPEED
19	+	16-123121-16130	2	SPRING, NEEDLE
20	+	16-123118-30830	1	NEEDLE, IDLE
21	+	16-123123-18330	1	LEVER, METERING
22	+	16-123122-16130	1	SPRING, METER. LEVER
23	+	16-123137-19830	1	VALVE, INLET NEEDLE
24	+	16-123138-03930	1	PIN, METERING LEVER
25	+	16-123139-03930	1	SCREW, M. LEVER PIN
27	+	16-123140-16131	1	GASKET, M. DIAPHRAGM
28	+	16-123141-16131	1	DIAPHRAGM, METERING
29	+	16-123142-17330	1	COVER, M. DIAPHRAGM
30	+	16-123130-02960	4	SCREW
31	+	16-123168-10631	1	SCREEN
32	+	16-123169-10630	1	RING, RETAINING
33	+	16-123146-17330	1	PLUG, CUP
34	+	16-123178-15030	1	PLUG, FRICTION
35	+	16-123146-10631	1	PLUG, WELCH

**Wir bezeichnen uns als die besten Spezialisten für Pflageotechnik im Aussenbereich zwischen 1.000 m<sup>2</sup> und 20.000 m<sup>2</sup> mit einer hervorragenden Serviceorganisation.**

 <b>Motorsägen</b>	 <b>Trennschneider</b>	 <b>Wasserpumpen</b>	 <b>Rückenspritze</b>	 <b>Bohrgerät</b>
 <b>Hochentaster</b>	 <b>Motorsensen</b>	 <b>Heckenscheren</b>	 <b>Blasgeräte</b>	 <b>Laubsauger</b>
 <b>Großbläser</b>	 <b>Stumpenfräse</b>	 <b>Häckselwölfe</b>	 <b>Rasentraktoren</b>	 <b>Kehrmaschinen</b>

**Grundstückspflege ist unsere Stärke**

überreicht durch: