

Stand 05.02.2002

ERSATZTEILLISTE

ECHO Saug-Häcksler ES-1000

ECHO-Motorgeräte
Vertrieb Deutschland GmbH
Otto-Schott-Str. 7

72555 Metzingen

Telefon 07123-1091
Telefax 07123-2589
<http://www.echo-shop.de>
email: info@echo-shop.de

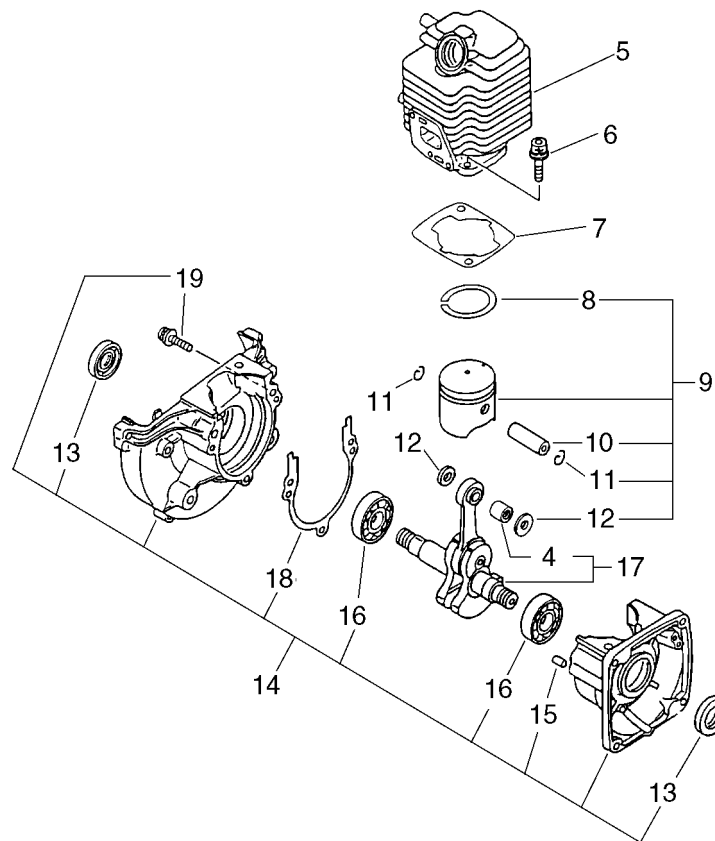


Bild	Artikelnummer	Anzahl	Beschreibung	Anmerkung
5	101011-45230	1	CYLINDER	
6	900162-05022	2	BOLT, H.S. 5*22	
7	101010-44331	1	GASKET, CYL. BASE	Sus. by 101010-44332
7	101010-44332	1	GASKET, CYL. BASE	
9	100000-44330	1	PISTON KIT	Sus. by 100000-44331
9	100000-44331	1	PISTON KIT	
8	+ 100011-05330	1	RING, PISTON	
10	+ 100013-11520	1	PIN, PISTON	
11	+ 100015-04630	2	CIRCLIP, PISTON PIN	
12	+ 100014-11520	2	SPACER, PISTON PIN	
14	100204-51030	1	CRANKCASE KIT	
13	+ 100212-42030	2	OILSEAL	
15	+ 100215-03930	2	PIN, DOWEL	
16	+ 900810-36201	2	BEARING, BALL 6201	Sus. by 94035-36201
16	+ 94035-36201	2	BEARING, BALL	
18	+ 100242-42030	1	GASKET, CRANKCASE	
19	+ 900162-05028	3	BOLT, H.S. 5*28	
17	100100-44732	1	CRANKSHAFT ASSY	Sus. by 100100-44733
17	100100-44733	1	CRANKSHAFT	
4	+ 100012-51230	1	BEARING, NEEDLE	

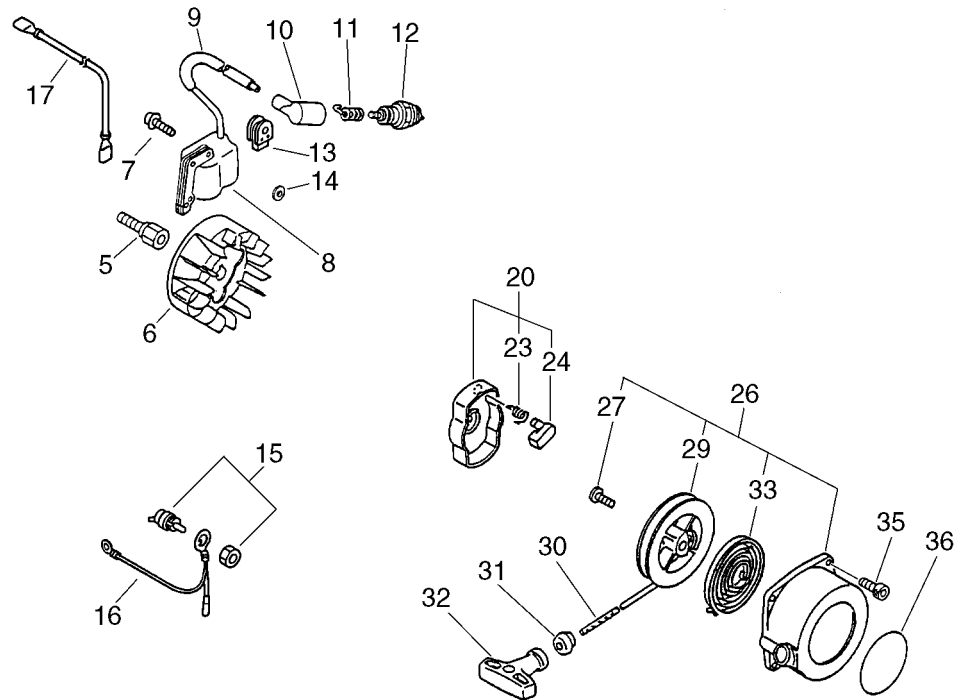


Bild	Artikelnummer	Anzahl	Beschreibung	Anmerkung
5	200011-05661	1	HUB, FAN	
6	158800-06360	1	ROTOR, MAGNETO	Sus. by 158800-20560
6	158800-20560	1	ROTOR, MAGNETO	
7	900162-04022	2	BOLT, H.S. 4*22	
8	158626-06360	1	COIL, IGNITION	Sus. by 158626-06361
8	158626-06361	1	COIL, IGNITION	
9	156611-05060	1	TUBE	
10	159012-03433	1	CAP, SPARK PLUG	
11	159011-03432	1	COIL, SPARK PLUG CAP	
12	159017-10230	1	PLUG, SPARK (RCJ-7Y)	
13	150112-05060	1	BUSHING	
14	101531-54330	2	COLLAR	
15	163400-03460	1	SWITCH, IGNITION	
16	162010-08760	1	LEAD, GROUND	
17	162021-08760	1	LEAD	
20	177202-44330	1	PAWL ASSY, STARTER	
23	+ 177234-42030	1	SPRING, RETURN	
24	+ 177218-44330	1	PAWL, STARTER	
26	177200-42032	1	STARTER ASSY	Sus. by 177200-42033
26	177200-42033	1	STARTER ASSY	
27	+ 177236-44330	1	SCREW	
29	+ 177215-42030	1	DRUM, STARTER	Sus. by 177215-44430
29	+ 177215-44430	1	DRUM, STARTER	
30	+ 177226-10120	1	ROPE, STARTER	
31	+ 177227-42030	1	GUIDE, ROPE	
32	+ 177228-06530	1	GRIP, STARTER	
33	+ 177220-42030	1	SPRING, REWIND	
35	900238-04018	2	SCREW 4*18	Sus. by 900162-04018
35	900162-04018	2	BOLT, H.S. 4*18	
36	890118-49130	1	LABEL, ECHO	

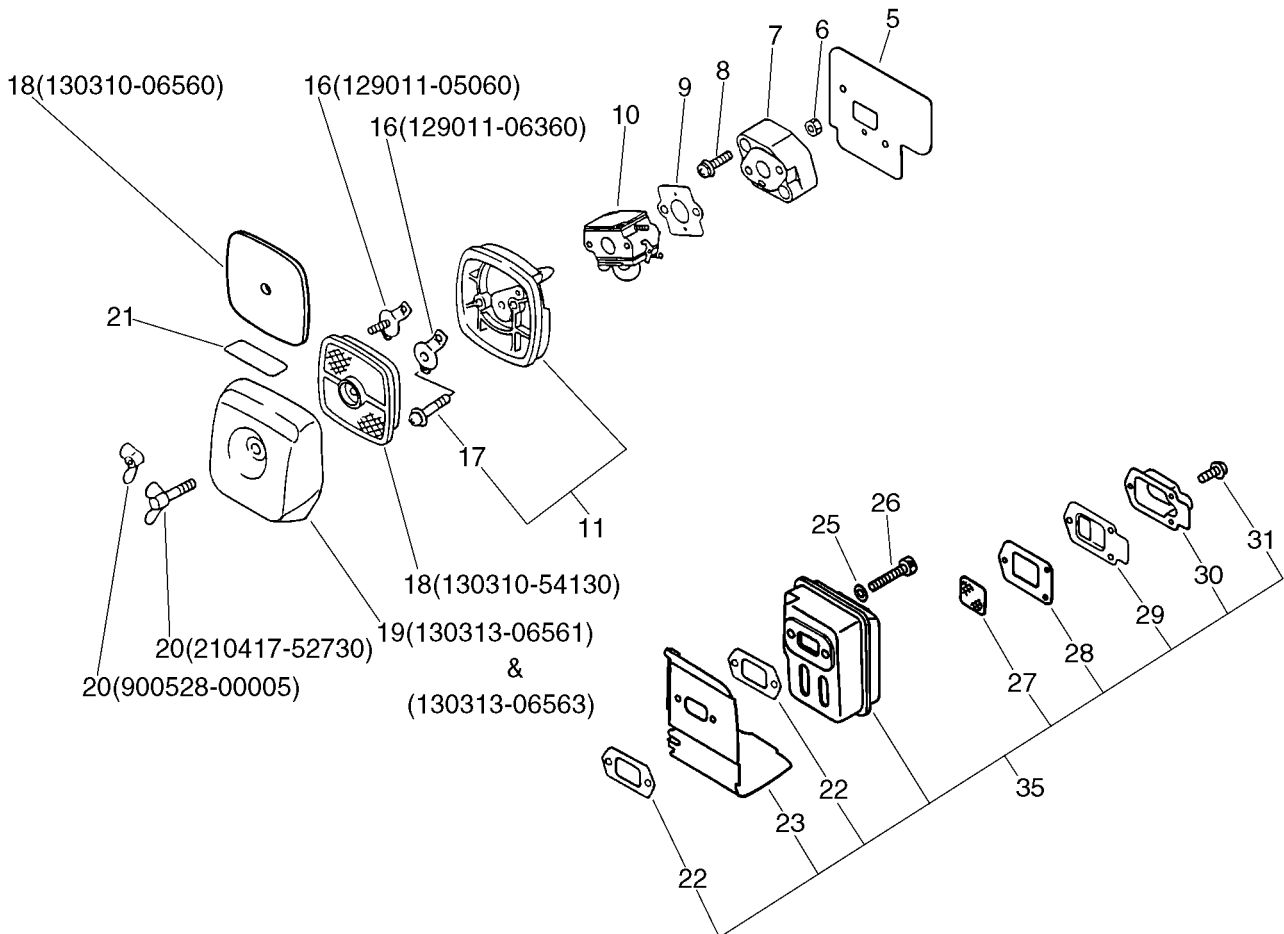


Bild	Artikelnummer	Anzahl	Beschreibung	Anmerkung	Bild	Artikelnummer	Anzahl	Beschreibung	Anmerkung
5	130010-05062	1	GASKET, INTAKE		19	130313-06563	1	LID, AIR CLEANER	Sr/Nr 083905 and after
6	900500-00005	2	NUT 5		20	900528-00005	1	NUT	Sr/Nr 066434 to 083904
7	130017-05061	1	INSULATOR	Sus. by 130017-05062	20	210417-52730	1	BOLT, WING	Sr/Nr 083905 and after
7	130017-05062	1	INSULATOR, INTAKE		21	890121-05360	1	LABEL, METERING	
8	900238-05022	2	SCREW 5*22		35	145800-05062	1	MUFFLER ASSY	Sus. by 145800-05063
9	130016-42031	1	GASKET, INTAKE	Sus. by V103-000111	35	145800-05063	1	MUFFLER ASSY	
9	V103-000111	1	GASKET,INTAKE		22 +	145510-42031	2	GASKET, MUFFLER	Sus. by V104-000160
10	125200-06861	1	CARBURETOR ASSY		22 +	V104-000160	2	GASKET,EXHAUST	
11	130307-06561	1	CASE, AIR CLEANER	Sus. by P021-002921	23 +	145871-05760	1	COVER, MUFFLER	
11	P021-002921	1	CASE, AIR CLEANER		27 +	145862-40630	1	SCREEN, MUFFLER	
17 +	900242-05065	2	SCREW 5*65		28 +	145866-42031	1	GASKET, MUFFLER LID	
16	129011-05060	1	PLATE	Sr/Nr 066434 to 083904	29 +	145876-42030	1	LID, MUFFLER (B)	
16	129011-06360	1	PLATE, PREVENT	Sr/Nr 083905 and after	30 +	145876-05060	1	PLATE	Sus. by 145876-05061
18	130310-06560	1	FILTER, AIR	Sr/Nr 027688 to 083904	30 +	145876-05061	1	PLATE	
18	130310-54130	1	FILTER, AIR	Sr/Nr 083905 and after	31 +	900242-04010	3	SCREW 4*10	
19	130313-06560	1	COVER, AIR CLEANER	Sus. by 130313-06561	25	900600-00005	2	WASHER 5	
19	130313-06561	1	COVER, AIR CLEANER	Sr/Nr 066434 to 083904	26	900105-05055	2	BOLT, H.S. 5*55	

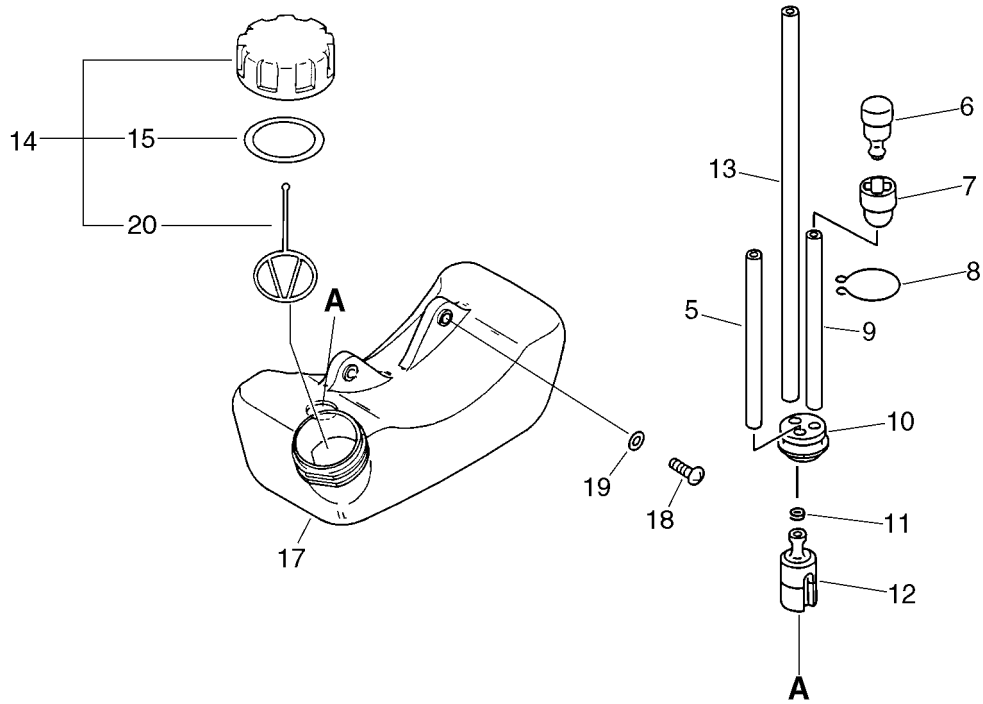


Bild	Artikelnummer	Anzahl	Beschreibung	Anmerkung
5	132012-51030	1	PIPE 3*5* 90	Sus. by 132010-56330
5	132010-56330	1	PIPE 3*6*90	
6	131300-40630	1	VALVE, CHECK	Sus. by 131300-56430
6	131300-56430	1	VALVE, CHECK	
7	131328-40630	1	COVER, VENT	
8	132013-05060	1	CLIP, PIPE	
9	131312-44330	1	PIPE, 3*5*70L	
10	132115-46730	1	GROMMET, FUEL	
11	132013-09820	1	CLIP	
12	131205-07320	1	STRAINER, FUEL	
13	132010-13930	1	PIPE, FUEL	
14	131004-06560	1	CAP ASSY,FUEL TANK	Sus. by 131004-55530
14	131004-56330	1	CAP ASSY, FUEL TANK	Sus. by 131004-55530
14	131004-55530	1	CAP ASSY, FUEL TANK	
15	+ 131016-40930	1	GASKET, FUEL CAP	Nur mit 131004-56330
15	+ 131016-55830	1	GASKET, FUEL CAP	Nur mit 131004-55530
16	+ 131051-52430	1	CONNECTOR, CAP	Nur mit 131004-56330
16	+ 131051-56030	1	CLIP, FUEL CAP	Nur mit 131004-55530
17	131005-05760	1	TANK, FUEL WH	
18	900238-05016	2	SCREW 5*16	
19	900603-00005	2	WASHER 5	

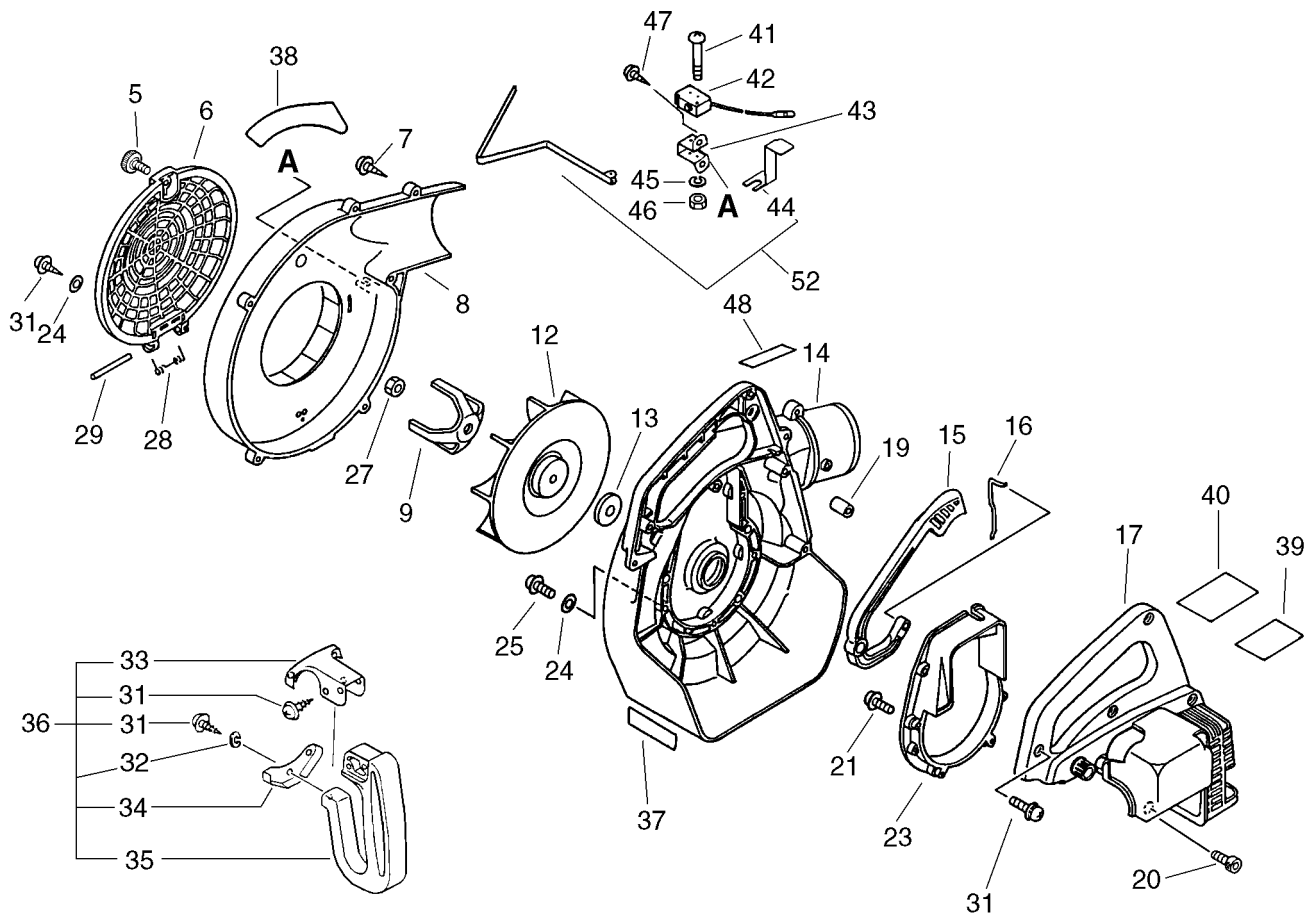


Bild	Artikelnummer	Anzahl	Beschreibung	Anmerkung	Bild	Artikelnummer	Anzahl	Beschreibung	Anmerkung
5	130406-05060	1	BOLT, THUMB (BL)	Sus. by 130406-20660	29	200150-05060	1	SHAFT, GRID	
5	130406-06360	1	KNOB, FASTENER	Sus. by 130406-20660	36	351000-05060	1	HANDLE ASSY, REAR	
5	130406-20660	1	THUMB		31 +	900253-05014	3	SCREW 5*14	
6	200124-05061	1	GRID, FAN CAS		32 +	900605-00005	1	WASHER, SPRING 5	
7	900253-05020	6	SCREW 5*20		33 +	351011-05060	1	SUPPORTER HANDLE	
8	200111-08761	1	CASE, FAN		34 +	351028-05060	1	SUPPORTER, HANDLE	
9	200180-08761	1	CUTTER, SHREDDER		35 +	351010-05060	1	HANDLE (BL)	
12	200010-06362	1	FAN	Sus. by 200010-06363	31	900253-05014	6	SCREW 5*14	
12	200010-06363	1	FAN		37	890160-06360	1	LABEL, CAUTION	Sus. by 890160-06361
13	100132-05660	1	WASHER		37	890160-06361	1	LABEL, CAUTION	
14	200110-06361	1	CASE, FAN		38	890112-08761	1	LABEL, MODEL	
15	178010-06360	1	CONTROL, THROTTLE		39	890157-06560	1	LABEL, SWITCH	
16	178011-05060	1	ROD, THROTTLE		40	890160-09460	1	LABEL, CAUTION	Sus. by 890160-09461
17	104008-06360	1	COVER SET, ENGINE		40	890160-09461	1	LABEL, CAUTION	
19	163895-08760	1	COLLAR		41	163894-08760	2	SCREW 2-56*0.625	
20	900238-04018	2	SCREW 4*18	Sus. by 900162-04018	42	163400-08761	1	SWITCH, IGNITION	
20	900162-04018	2	BOLT, H.S. 4*18		43	163810-09260	1	BRACKET, SWITCH	
21	900238-04018	4	SCREW 4*18		52	163335-09260	1	LEVER, ACTUATOR	Sus. by 163800-09460
23	104930-05061	1	BASE, ENGINE		52	163335-09460	1	LEVER, ACTUATOR	Sus. by 163800-09460
24	104032-05060	6	WASHER		52	163800-09460	1	LEVER KIT, SWITCH	
25	900238-04022	5	SCREW 4*22	Sus. by 900162-04022	44 +	163810-09460	1	BRACKET, SWITCH	
25	900162-04022	5	BOLT, H.S. 4*22		45	163892-08760	2	WASHER SPRING	
27	900500-00008	1	NUT 8		46	163893-08760	2	NUT	
28	200152-05060	1	SPRING, GRID		47	900253-05010	2	SCREW 5*10	
					48	890348-05060	1	LABEL, SPEED	

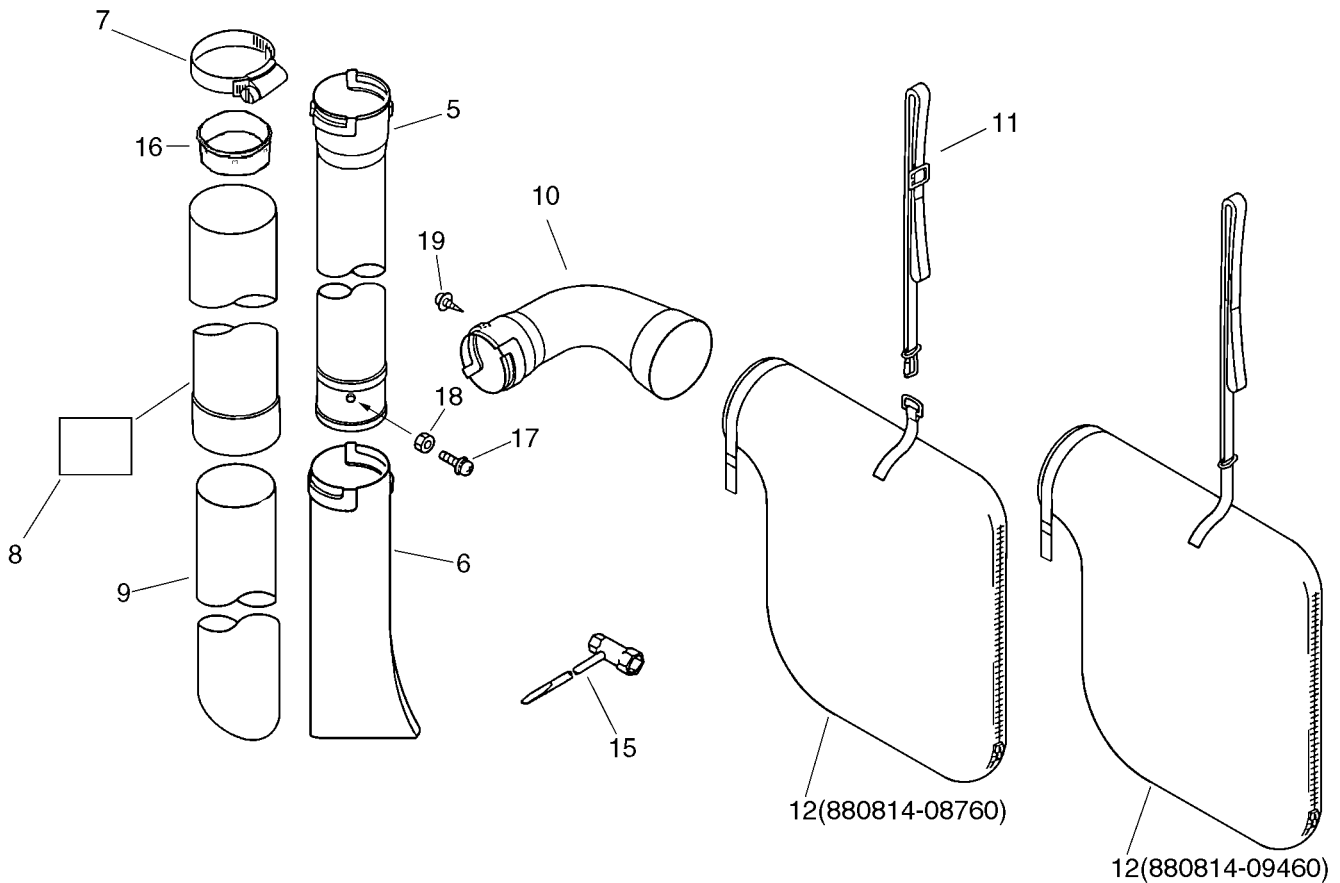


Bild	Artikelnummer	Anzahl	Beschreibung	Anmerkung
5	210015-05060	1	PIPE, STRAIGHT (BL)	Sus. by 210007-20660
5	210007-20660	1	PIPE,BLOWER	
17	+ 900238-05010	1	SCREW 5*10	
18	+ 900500-00005	1	NUT 5	
6	210031-05060	1	NOZZLE, FAN HEAD	
7	210413-05060	1	CLAMP, FLEXIBLE PIPE	
8	890135-08760	2	LABEL, MODEL	
9	210027-06561	1	PIPE, SUCTION	Sus. by 210027-06562
9	210027-06562	1	PIPE, SUCTION	
10	215012-05060	1	CONNECTOR (BL)	Sus. by 215012-20110
10	215012-20110	1	PIPE,MAIN	
11	301005-05060	1	HARNESS	Sr/Nr 081312 and before
12	880814-08760	1	BAG, DUST 60L	Sr/Nr 081312 and before
12	880814-09460	1	BAG, DUST(W/HARNESS)	Sus. by X692-000020
12	X692-000020	1	BAG,DUST	Sr/Nr 081313 and after
15	895410-09630	1	WRENCH, W/S. DRIVER	Sus. by 895410-07630
15	895410-07630	1	WRENCH, W/S. DRIVER	
16	385155-09660	1	SLEEVE	OPTION
19	900256-05010	1	SCREW, TAPPING	

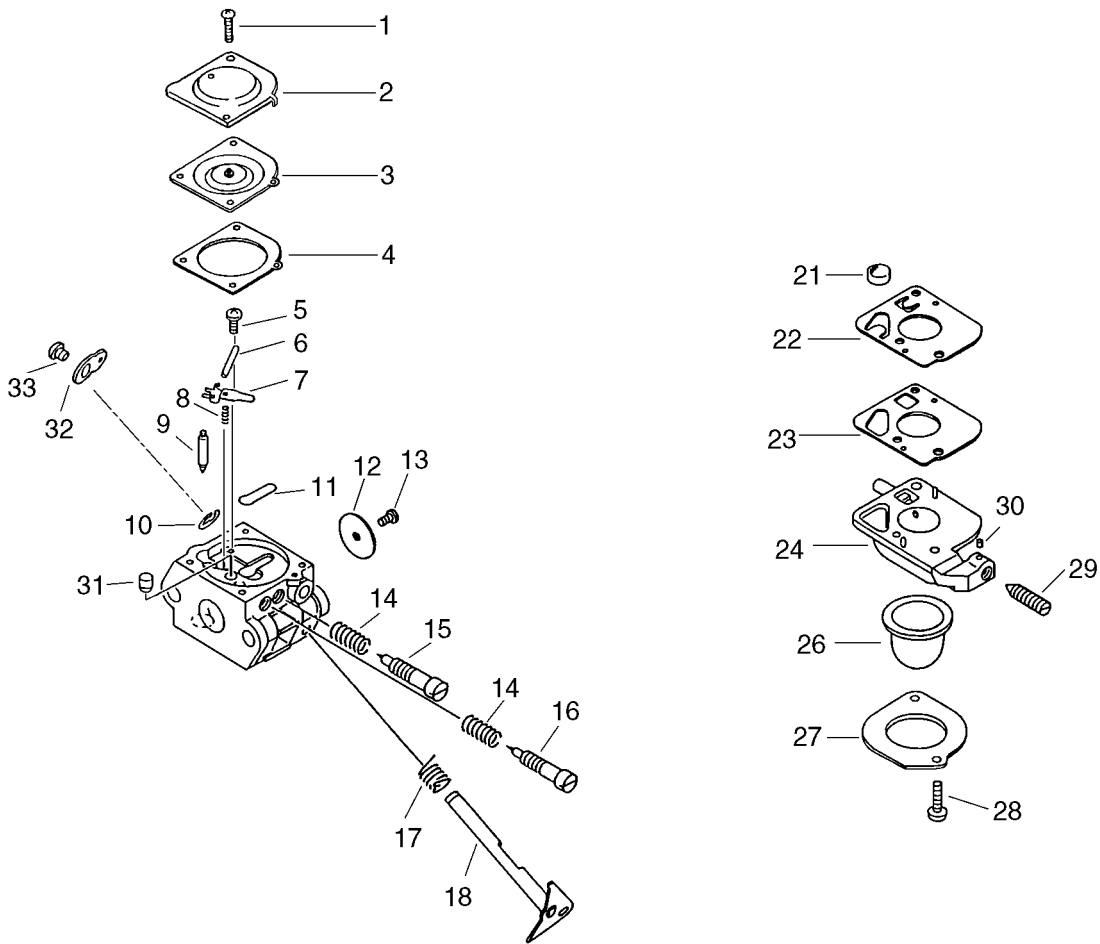


Bild	Artikelnummer	Anzahl	Beschreibung	Anmerkung	Bild	Artikelnummer	Anzahl	Beschreibung	Anmerkung
	125200-06861	1	CARBURETOR ASSY		16 +	125320-06860	1	NEEDLE, HIGH SPEED	
1 +	125344-52130	2	SCREW		17 +	125313-42030	1	SPRING, THRT. RETURN	
2 +	125342-52130	1	COVER, DIAPHRAGM	Sus. by 125342-13210	18 +	125317-06860	1	SHAFT, THROTTLE	
2 +	125342-13210	1	COVER, DIAPHRAGM		21 +	125326-42030	1	STRAINER	
3 +	125341-42030	1	DIAPHRAGM		22 +	125312-12820	1	DIAPHRAGM, FUEL PUMP	
4 +	125340-42030	1	GASKET, DIAPHRAGM		23 +	125325-42030	1	GASKET, FUEL PUMP	Sus. by 125325-13310
5 +	125339-42030	1	SCREW		23 +	125325-13310	1	GASKET, PUMP	
6 +	125338-13930	1	PIN, METERING ARM		24 +	125383-13310	1	BASE, PRIMER	
7 +	125323-42030	1	LEVER, METERING		26 +	125381-46730	1	PUMP, PRIMING	Sus. by 125381-08660
8 +	125322-07260	1	SPRING, COIL		26 +	125381-08660	1	PUMP, PRIMING	
9 +	125337-06960	1	VALVE, INLET NEEDLE		27 +	125363-11610	1	RING	
10 +	125327-13930	1	CLIP		28 +	125310-11610	2	SCREW	
11 +	125345-15130	1	PLUG, WELCH		29 +	125334-06860	1	SCREW, IDLE ADJUST	
12 +	125316-42030	1	VALVE, THROTTLE		30 +	125378-13930	1	PIECE, FRICTION	
13 +	125314-13930	1	SCREW		31 +	125376-06360	1	NOZZLE, CHECK VALVE	
14 +	125319-42030	2	SPRING, COIL		32 +	125350-05060	1	LEVER, THROTTLE	
15 +	125318-42030	1	NEEDLE, IDLE		33 +	125348-13930	1	SCREW	

Bild		Artikelnummer	Anzahl	Beschreibung	Anmerkung
		889000-05063	1	Dichtungssatz	
	+	145631-42030	1	COVER, MUFFLER	
	+	101010-44331	1	GASKET, CYL. BASE	Sus. by 101010-44332
	+	101010-44332	1	GASKET, CYL. BASE	
	+	100242-42030	1	GASKET, CRANKCASE	
	+	130010-05062	1	GASKET, INTAKE	
	+	130016-42031	1	GASKET, INTAKE	
	+	130010-42032	1	GASKET,INTAKE	
	+	145510-42031	2	GASKET, MUFFLER	Sus. by V104-000160
	+	V104-000160	2	GASKET,EXHAUST	
		125303-42030	1	Membransatz	
	+	125312-42030	1	DIAPHRAGM, FUEL PUMP	
	+	125325-42030	1	GASKET, FUEL PUMP	Sus. by 125325-13310
7-23	+	125325-13310	1	GASKET, PUMP	
7-4	+	125340-42030	1	GASKET, DIAPHRAGM	
7-3	+	125341-42030	1	DIAPHRAGM	
		125300-06860	1	Reparatursatz	
7-9	+	125337-06960	1	VALVE,INLET NEEDLE	
7-8	+	125322-07260	1	SPRING, COIL	
7-7	+	125323-42030	1	LEVER, METERING	
7-6	+	125338-13930	1	PIN, METERING ARM	
7-21	+	125326-42030	1	STRAINER	
7-11	+	125345-15130	1	PLUG, WELCH	
	+	125312-42030	1	DIAPHRAGM, FUEL PUMP	
	+	125325-42030	1	GASKET, FUEL PUMP	Sus. by 125325-13310
7-23	+	125325-13310	1	GASKET, PUMP	
7-3	+	125341-42030	1	DIAPHRAGM	
7-4	+	125340-42030	1	GASKET, DIAPHRAGM	

ECHO®

Motorgeräte

die geh'n ran