

Stand 05.02.2002

ERSATZTEILLISTE

ECHO Saug-Häcksler ES-2100

ECHO-Motorgeräte
Vertrieb Deutschland GmbH
Otto-Schott-Str. 7

72555 Metzingen

Telefon 07123-1091
Telefax 07123-2589
<http://www.echo-shop.de>
email: info@echo-shop.de

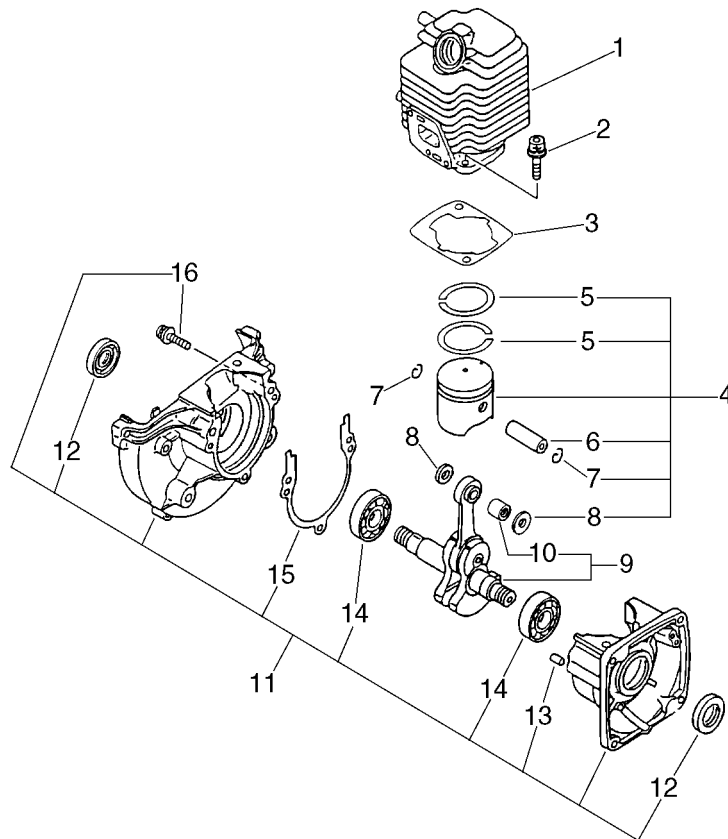


Bild	Artikelnummer	Anzahl	Beschreibung	Anmerkung
1	101011-06560	1	CYLINDER	Sus. by 101011-06562
1	101011-06561	1	CYLINDER	Sus. by 101011-06562
1	101011-06562	1	CYLINDER	Sr/Nr 023553 and before
1	A130-000020	1	CYLINDER	Sus. by A130-000021
1	A130-000021	1	CYLINDER	Sr/Nr 023554 and after
2	900162-05022	2	BOLT, H.S. 5*22	
3	101010-44332	1	GASKET, CYL. BASE	
4	100000-48730	1	PISTON KIT	Sus. by 100000-11520
4	100000-48731	1	PISTON KIT	Sus. by 100000-11520
4	100000-11520	1	PISTON KIT	Sr/Nr 023553 and before
4	P021-000410	1	PISTON KIT	Sus. by P021-001101
4	P021-000411	1	PISTON KIT	Sus. by P021-001101
4	P021-001101	1	PISTON KIT	Sr/Nr 023554 and after
5 +	100011-05330	2	RING, PISTON	Sr/Nr 023553 and before
5 +	A101-000000	2	RING,PISTON	Sr/Nr 023554 and after
6 +	100013-11520	1	PIN, PISTON	
7 +	100015-04630	2	CIRCLIP, PISTON PIN	
8 +	100014-11520	2	SPACER, PISTON PIN	
9	100100-54130	1	CRANKSHAFT ASSY	Sus. by 100100-44732
9	100100-44732	1	CRANKSHAFT ASSY	Sr/Nr 035783 and before
9	A011-000150	1	CRANKSHAFT,ASM	Sr/Nr 035784 and after
10 +	100012-51230	1	BEARING, NEEDLE	
11	100204-52130	1	CRANKCASE KIT	
12 +	100212-42030	2	OILSEAL	
13 +	100215-03930	2	PIN, DOWEL	
14 +	900810-36201	2	BEARING, BALL 6201	Sus. by 94035-36201
14 +	94035-36201	2	BEARING, BALL	
15 +	100242-42030	1	GASKET, CRANKCASE	
16 +	900162-05028	3	BOLT, H.S. 5*28	

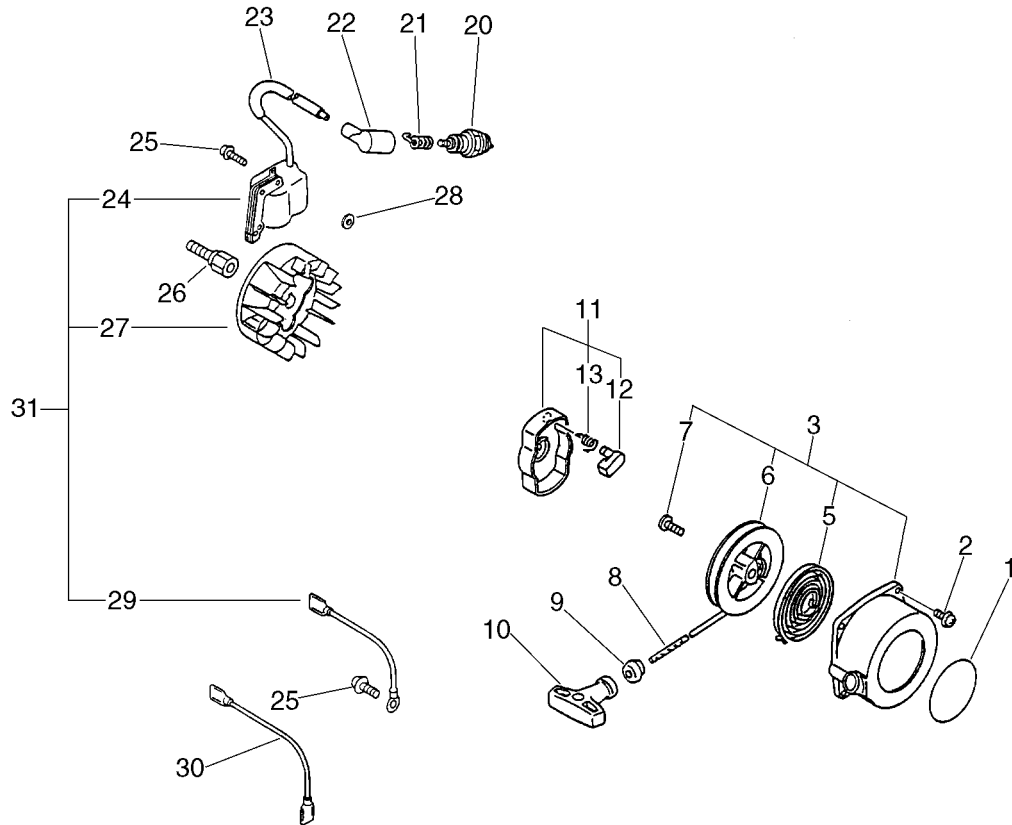


Bild	Artikelnummer	Anzahl	Beschreibung	Anmerkung
1	890118-49130	1	LABEL, ECHO	
2	900162-04016	4	BOLT, H.S. 4*16	Sus. by 900163-04016
2	900163-04016	4	BOLT HSH	
3	177200-42033	1	STARTER ASSY	
5	+ 177220-42030	1	SPRING, REWIND	
6	+ 177215-44430	1	DRUM, STARTER	
7	+ 177236-44330	1	SCREW	
8	+ 177226-10120	1	ROPE, STARTER	
9	+ 177227-42030	1	GUIDE, ROPE	
10	+ 177228-06530	1	GRIP, STARTER	
11	177202-44330	1	PAWL ASSY, STARTER	
11	A052-000061	1	PULLEY,ASM STARTER	Next Production
12	+ 177218-44330	1	PAWL, STARTER	
13	+ 177234-42030	1	SPRING, RETURN	
20	159017-10230	1	PLUG, SPARK (RCJ-7Y)	
21	159011-03432	1	COIL, SPARK PLUG CAP	
22	159012-03433	1	CAP, SPARK PLUG	
23	156611-05060	1	TUBE	
24	158626-06360	1	COIL, IGNITION	Sus. by P021-001181
24	158626-06361	1	COIL, IGNITION	Sus. by P021-001181
25	900162-04022	2	BOLT, H.S. 4*22	
26	200011-05661	1	HUB, FAN	
27	158800-20560	1	ROTOR, MAGNETO	Sus. by P021-001181
28	101531-54330	2	COLLAR	
29	162010-20660	1	LEAD, GROUND	Sr/Nr 025404 and before
30	162021-20660	1	LEAD	
31	P021-001180	1	MAGNETO ASY	Sus. by P021-001181
31	P021-001181	1	MAGNETO ASY	
24	+ A411-000020	1	COIL,IGNITION	Sr/Nr 025405 and after
27	+ A409-000000	1	ROTOR,MAGNETO	Sus. by A409-000100
27	+ A409-000100	1	ROTOR,MAGNETO	Sr/Nr 025405 and after
29	+ V485-000040	1	LEAD	Sr/Nr 025405 and after

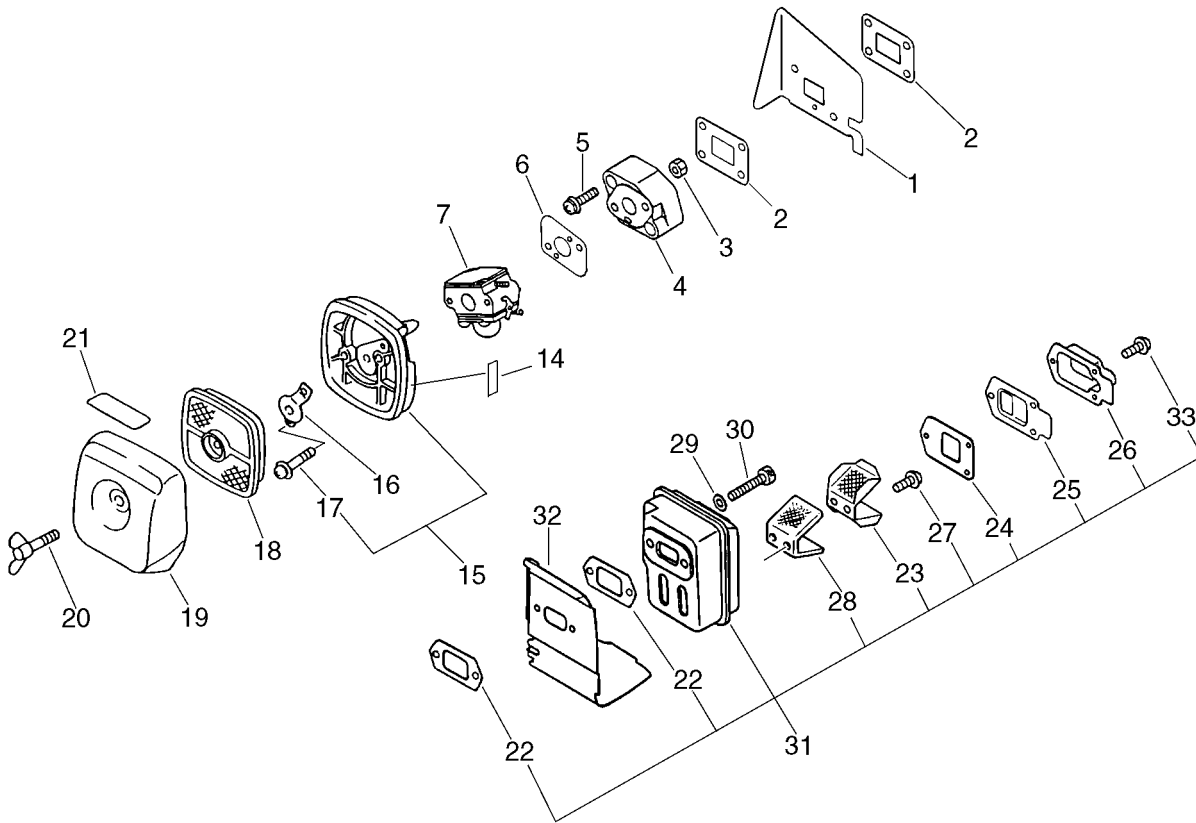


Bild	Artikelnummer	Anzahl	Beschreibung	Anmerkung	Bild	Artikelnummer	Anzahl	Beschreibung	Anmerkung
1	101514-20560	1	COVER, CYLINDER		31	P021-000971	1	MUFFLER ASY	Sus. by P021-000972
2	130010-09561	2	GASKET, INTAKE		31	P021-000972	1	MUFFLER ASY	Sr/Nr 023554 and after
3	900500-00005	2	NUT 5		22 +	145510-42031	2	GASKET, MUFFLER	Sus. by V104-000160
4	130017-05062	1	INSULATOR, INTAKE		22 +	V104-000160	2	GASKET, EXHAUST	
5	900238-05022	2	SCREW 5*22		23 +	145862-52130	1	SCREEN, MUFFLER	
6	130010-20560	1	GASKET, INTAKE		24 +	145866-42031	1	GASKET, MUFFLER LID	Sr/Nr 023553 and before
7	125200-20660	1	CARBURETOR ASSY	Sus. by 125200-20661	24 +	V104-000000	1	GASKET, EXHAUST	Sus. by V104-000003
7	125200-20661	1	CARBURETOR		24 +	V104-000001	1	GASKET, EXHAUST	Sus. by V104-000003
14	890560-90660	1	LABEL, PRIMING		24 +	V104-000002	1	GASKET, EXHAUST	Sus. by V104-000003
15	130307-06561	1	CASE, AIR CLEANER	Sus. by P021-002921	24 +	V104-000003	1	GASKET, EXHAUST	Sr/Nr 023554 and after
15	P021-002921	1	CASE, AIR CLEANER		25 +	145876-42030	1	LID, MUFFLER (B)	
17 +	900242-05065	2	SCREW 5*65		26 +	145874-20560	1	ADAPTER	Sr/Nr 023553 and before
16	129011-52730	1	PLATE, PREVENT		26 +	A313-000020	1	GUIDE, EXH	Sr/Nr 023554 and after
18	130310-54130	1	FILTER, AIR		27 +	900238-04010	2	SCREW 4*10	
19	130313-06563	1	LID, AIR CLEANER		28 +	145820-52130	1	CATALYST	
20	210417-52730	1	BOLT, WING		33 +	900242-04010	3	SCREW 4*10	
21	890121-05360	1	LABEL, METERING		29	900603-00005	2	WASHER 5	
31	145803-20660	1	MUFFLER ASY	Sr/Nr 023553 and before	30	900105-05055	2	BOLT, H.S. 5*55	
31	P021-000970	1	MUFFLER ASY	Sus. by P021-000972	32	145871-05760	1	COVER, MUFFLER	

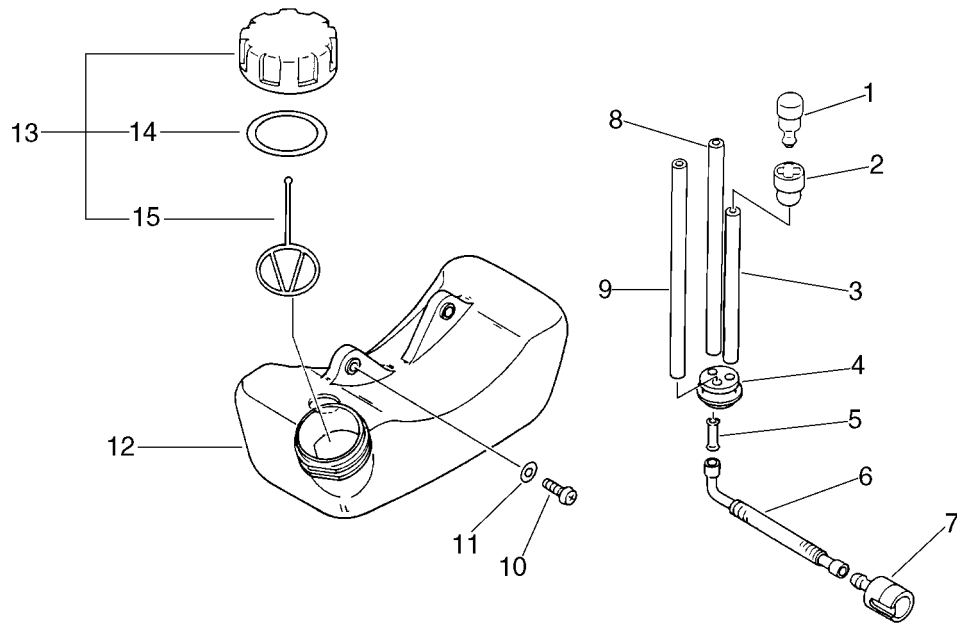


Bild	Artikelnummer	Anzahl	Beschreibung	Anmerkung
1	131300-56430	1	VALVE, CHECK	
2	131328-40630	1	COVER, VENT	
3	131312-44330	1	PIPE, 3*5*70L	Sus. by 131312-39130
3	131312-39130	1	PIPE	
4	132115-46730	1	GROMMET, FUEL	
5	132011-03360	1	CONNECTOR, FUEL PIPE	
6	132012-12360	1	PIPE, FUEL	
7	131205-07320	1	STRAINER, FUEL	
8	437210-11131	1	PIPE 3*5*90 NBR	
9	132010-56330	1	PIPE 3*6*90	
10	900238-05016	2	SCREW 5*16	
11	900603-00005	2	WASHER 5	
12	131005-20560	1	TANK, FUEL	
13	131004-55530	1	CAP ASSY, FUEL TANK	
14	+ 131016-55830	1	GASKET, FUEL CAP	
15	+ 131051-56030	1	CLIP, FUEL CAP	

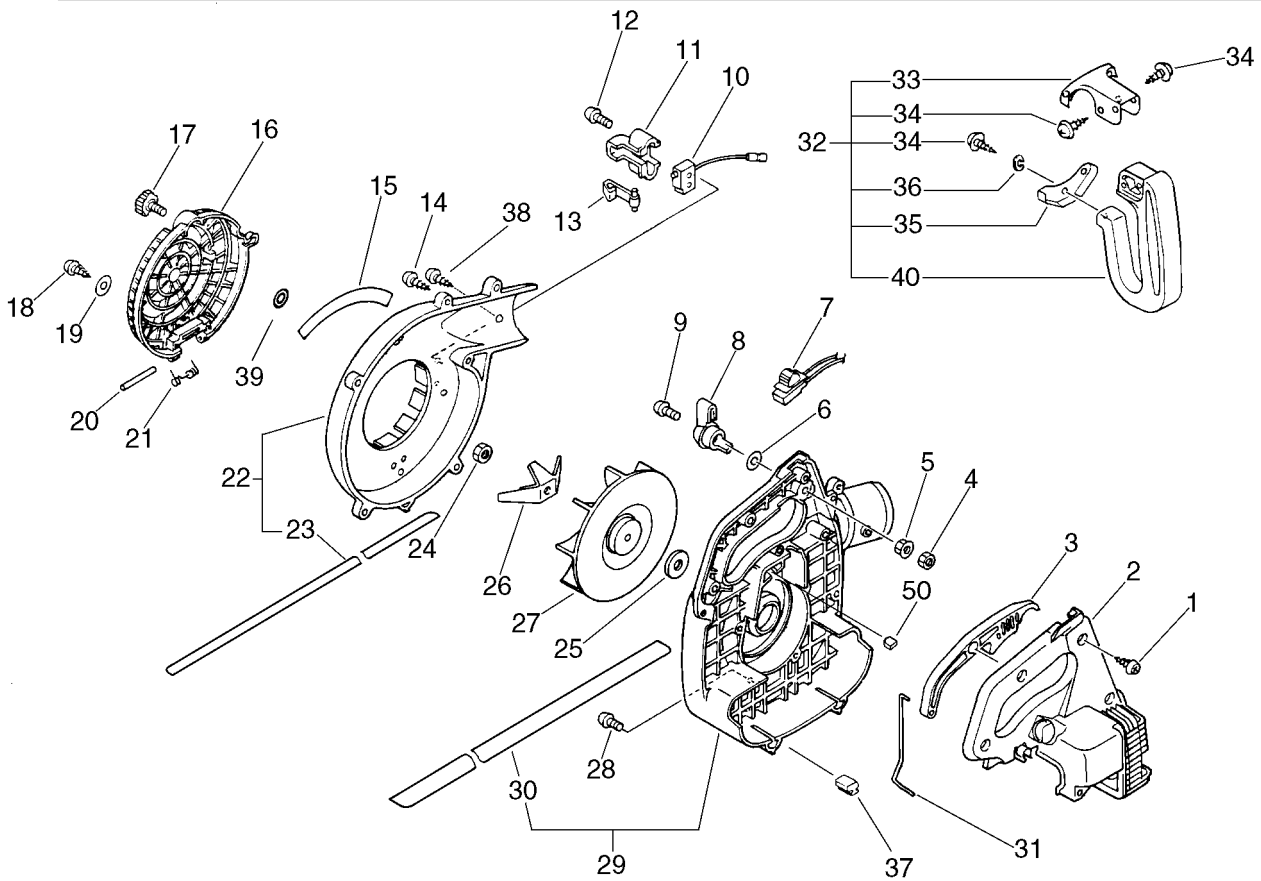


Bild	Artikelnummer	Anzahl	Beschreibung	Anmerkung	Bild	Artikelnummer	Anzahl	Beschreibung	Anmerkung
1	900253-05020	5	SCREW 5*20		22	200109-20660	1	CASE, FAN	Sus. by 200109-20661
2	104012-20560	1	COVER		22	200109-20661	1	CASE, FAN	
3	178010-20560	1	CONTROL, THROTTLE		23 +	220120-20560	1	CUSHION	Sus.by 220120-20561
4	900502-00005	1	NUT 5 (3N)		23 +	220120-20561	1	CUSHION	
5	900516-00005	1	NUT, FRANGE 5		24	900500-00008	1	NUT 8	
6	900603-00005	1	WASHER 5		25	100132-05660	1	WASHER	
7	163400-20560	1	SWITCH, IGNITION	Sus. by 163401-20561	26	200180-08761	1	CUTTER, SHREDDER	
7	163401-20560	1	SWITCH, IGNITION	Sus. by 163401-20561	27	200010-06362	1	FAN	Sus. by 200010-06363
7	163401-20561	1	SWITCH, IGNITION		27	200010-06363	1	FAN	
8	178054-20560	1	CONTROL, THROTTLE		28	900162-04022	4	BOLT, H.S. 4*22	
9	900238-05025	1	SCREW 5*25		29	200108-20661	1	CASE, FAN	Sus. by P021-003700
10	163400-20660	1	SWITCH, IGNITION		29	200108-20662	1	CASE, FAN	Sus. by P021-003700
11	163810-20660	1	BRACKET, SWITCH		29	P021-003700	1	CASE,FAN(W/PLUG)	
12	900256-04022	2	SCREW 4*22		30 +	220120-20660	1	CUSHION	Sus.by 220120-20661
13	163335-20660	1	LEVER, ACTUATOR	Sus. by 163335-20560	30 +	220120-20661	1	CUSHION	
13	163335-20560	1	LEVER, ACTUATOR		50 +	101538-28230	1	GROMMET,PLUG	
14	900253-05020	6	SCREW 5*20		31	178011-20560	1	ROD, THROTTLE	
15	890115-20660	1	LABEL, MODEL		32	351000-05060	1	HANDLE ASSY, REAR	
16	200124-20660	1	GRID, FAN CASE	Sus. by 200124-20661	33 +	351011-05060	1	SUPPORTER HANDLE	
16	200124-20661	1	GRID, FAN CASE		34 +	900253-05014	3	SCREW 5*14	Sus. by 900253-05016
17	130406-06360	1	KNOB, FASTENER	Sus. by 130406-20660	34 +	900253-05016	3	SCREW	
17	130406-20660	1	THUMB		35 +	351028-05060	1	SUPPORTER, HANDLE	
18	900253-05014	1	SCREW 5*14		36 +	900605-00005	1	WASHER, SPRING 5	
19	900603-00005	1	WASHER 5		40 +	351010-05060	1	HANDLE (BL)	
20	200150-05060	1	SHAFT, GRID		37	351335-20560	2	CUSHION	
21	200152-05060	1	SPRING, GRID		38	900256-05010	1	SCREW, TAPPING	
					39	900580-00004	1	PUSH, RING	

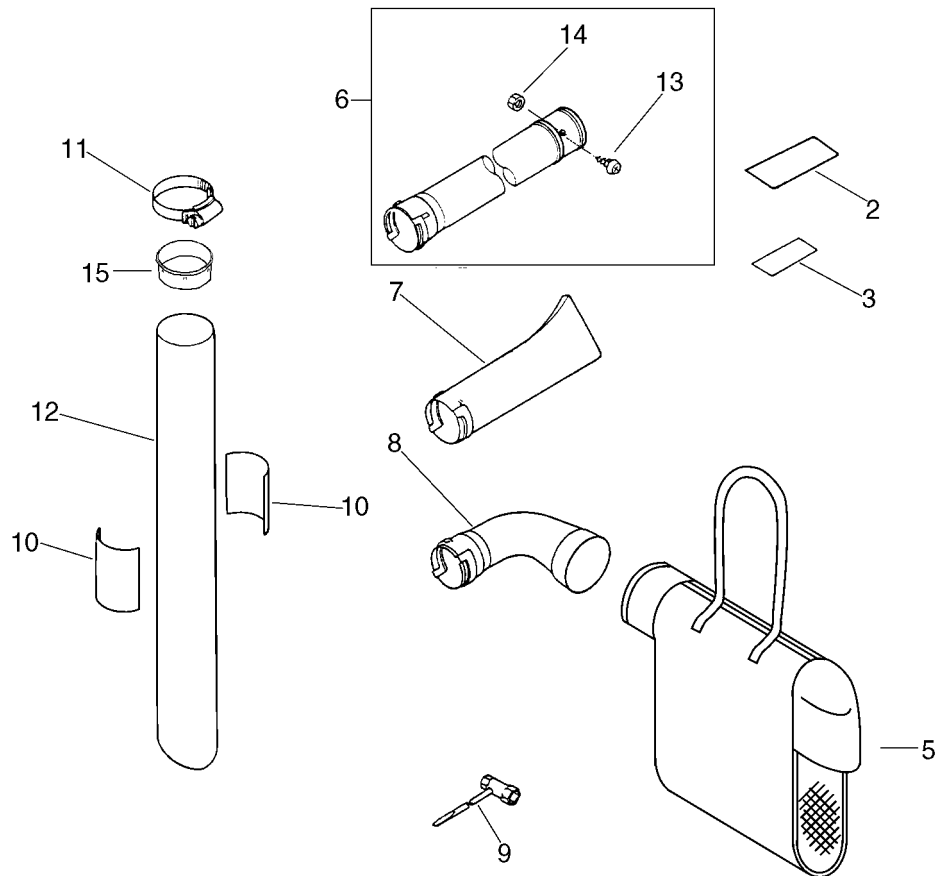


Bild	Artikelnummer	Anzahl	Beschreibung	Anmerkung
2	890160-09460	1	LABEL, CAUTION	Sus. by 890160-09461
2	890160-09461	1	LABEL, CAUTION	
3	890160-06360	1	LABEL, CAUTION	Sus. by 890160-06361
3	890160-06361	1	LABEL, CAUTION	
5	880814-09460	1	BAG, DUST(W/HARNESS)	Sus. by X692-000020
5	X692-000020	1	BAG,DUST	
6	210015-05060	1	PIPE, STRAIGHT (BL)	Sus. by 210007-20660
6	210007-20660	1	PIPE,BLOWER	
13	+ 900238-05010	1	SCREW 5*10	
14	+ 900500-00005	1	NUT 5	
7	210014-20560	1	PIPE, BLOWER	Sus. by 210014-20660
7	210014-20660	1	PIPE, STRAIGHT	
8	215012-05060	1	CONNECTOR (BL)	Sus. by 215012-20110
8	215012-20110	1	PIPE,MAIN	
9	895410-06960	1	WRENCH, W/S-DRIVER	
10	890135-08760	2	LABEL, MODEL	
11	210413-05060	1	CLAMP, FLEXIBLE PIPE	
12	210027-06562	1	PIPE, SUCTION	
15	385155-09660	1	SLEEVE	

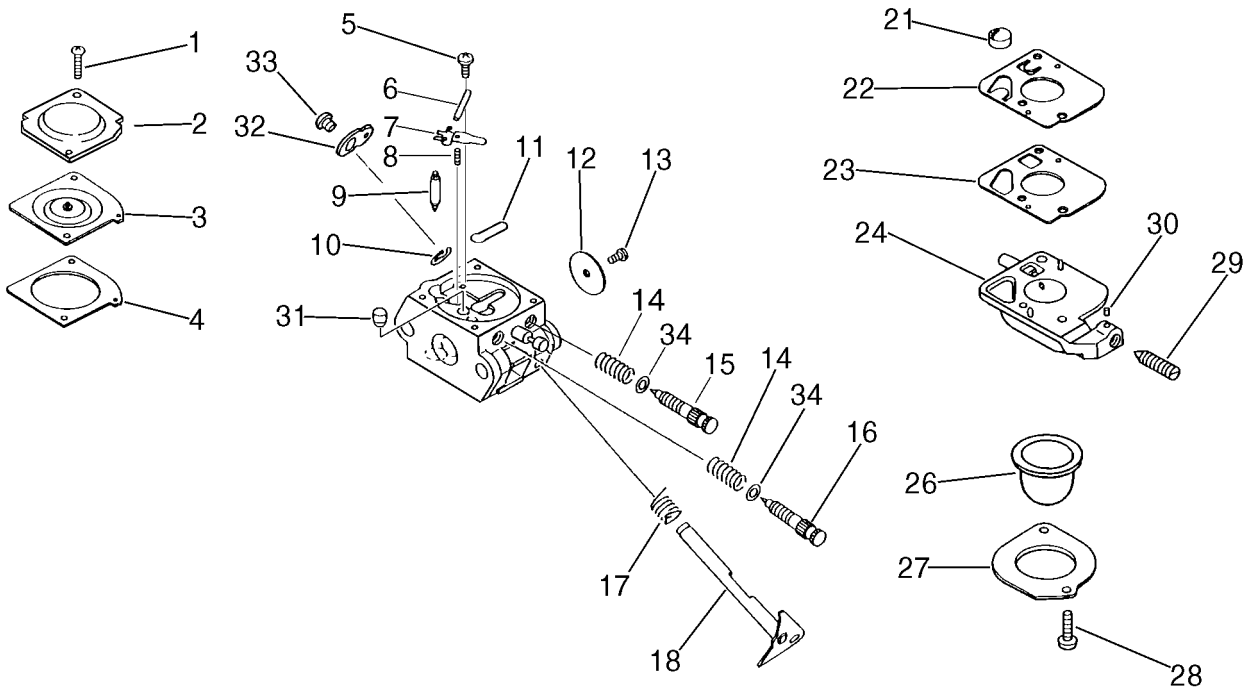


Bild	Artikelnummer	Anzahl	Beschreibung	Anmerkung	Bild	Artikelnummer	Anzahl	Beschreibung	Anmerkung
	125200-20660	1	CARBURETOR ASSY	Sus. by 125200-20661	18 +	125317-06860	1	SHAFT, THROTTLE	
	125200-20661	1	CARBURETOR		21 +	125326-42030	1	STRAINER	
1 +	125344-52130	2	SCREW		22 +	125312-12820	1	DIAPHRAGM, FUEL PUMP	
2 +	125342-07360	1	COVER, DIAPHRAGM		23 +	125325-42030	1	GASKET, FUEL PUMP	Sus. by 125325-13310
3 +	125341-34530	1	DIAPHRAGM		23 +	125325-13310	1	GASKET, PUMP	
4 +	125340-20560	1	GASKET, DIAPHRAGM		24 +	125324-11610	1	COVER, PUMP	Sus. by 125383-13310
5 +	125339-42030	1	SCREW		24 +	125383-13310	1	BASE, PRIMER	
6 +	125338-13930	1	PIN, METERING ARM		26 +	125381-46730	1	PUMP, PRIMING	Sus. by 125381-08660
7 +	125323-42030	1	LEVER, METERING		26 +	125381-08660	1	PUMP, PRIMING	
8 +	125322-07260	1	SPRING, COIL		27 +	125363-11610	1	RING	
9 +	125337-06960	1	VALVE, INLET NEEDLE		28 +	125310-11610	1	SCREW	
10 +	125327-13930	1	CLIP		29 +	125334-06860	1	SCREW, IDLE ADJUST	
11 +	125345-15130	1	PLUG, WELCH		30 +	125378-13930	1	PIECE, FRICTION	
12 +	125316-20560	1	VALVE, THROTTLE		31 +	125376-20660	1	NOZZLE, CHECK VALVE	
13 +	125314-51230	1	SCREW		32 +	125350-20560	1	LEVER, THROTTLE	
14 +	125319-42030	2	SPRING, COIL	Sr/Nr 018861 and before	33 +	125348-13930	1	SCREW	
15 +	125318-20560	1	NEEDLE, IDLE	Sr/Nr 018861 and before	34 +	125353-20560	2	WASHER	Sr/Nr 018861 and before
15 +	P005-000440	1	SCREW ASY IDLE MIX.	Sr/Nr 018862 and after		125303-20560	1	Membransatz	
16 +	125320-20560	1	NEEDLE, HIGH SPEED	Sr/Nr 018861 and before		125300-20560	1	Reparatursatz	
16 +	125320-13310	1	NEEDLE, HIGH SPEED	Sr/Nr 018862 and after					
17 +	125313-08560	1	SPRING, THRT. RETURN						

		125303-20560	1	Membransatz	
	+	125312-42030	1	DIAPHRAGM, FUEL PUMP	
	+	125325-42030	1	GASKET, FUEL PUMP	Sus. by 125325-13310
7-23	+	125325-13310	1	GASKET, PUMP	
7-3	+	125341-34530	1	DIAPHRAGM	
7-4	+	125340-20560	1	GASKET, DIAPHRAGM	
		125300-20560	1	Reparatursatz	
7-9	+	125337-06960	1	VALVE, INLET NEEDLE	
7-8	+	125322-07260	1	SPRING, COIL	
7-7	+	125323-42030	1	LEVER, METERING	
7-6	+	125338-13930	1	PIN, METERING ARM	
7-21	+	125326-42030	1	STRAINER	
7-11	+	125345-15130	1	PLUG, WELCH	
	+	125312-42030	1	DIAPHRAGM, FUEL PUMP	
	+	125325-42030	1	GASKET, FUEL PUMP	Sus. by 125325-13310
7-23	+	125325-13310	1	GASKET, PUMP	
7-3	+	125341-34530	1	DIAPHRAGM	
7-4	+	125340-20560	1	GASKET, DIAPHRAGM	

ECHO®

Motorgeräte

die geh'n ran