

Stand 05.02.2002

# ERSATZTEILLISTE

## ECHO Saug-Häcksler ES-2400

ECHO-Motorgeräte  
Vertrieb Deutschland GmbH  
Otto-Schott-Str. 7

72555 Metzingen

Telefon 07123-1091  
Telefax 07123-2589  
<http://www.echo-shop.de>  
email: [info@echo-shop.de](mailto:info@echo-shop.de)

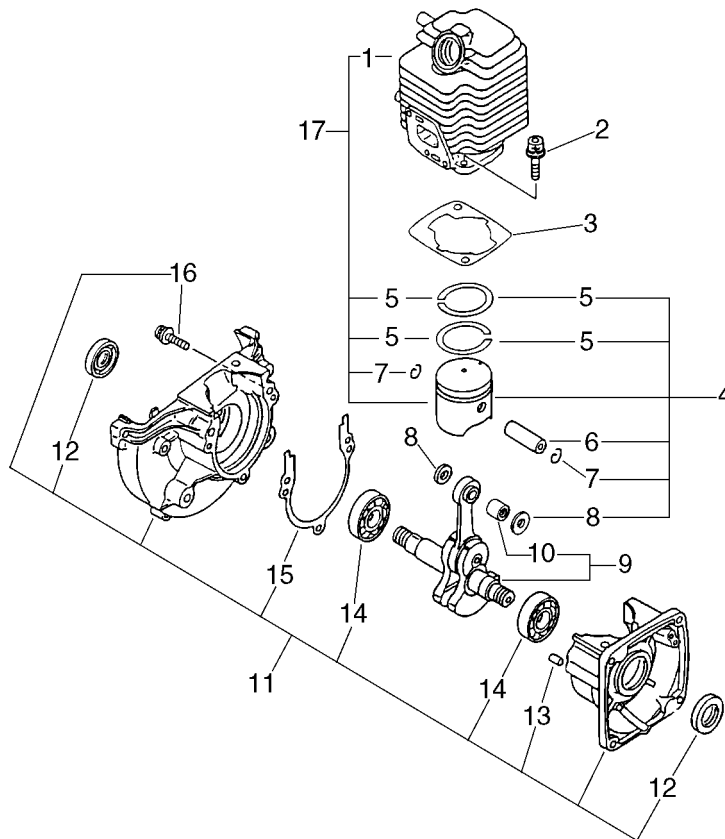


Bild	Artikelnummer	Anzahl	Beschreibung	Anmerkung
1	101011-08960	1	CYLINDER (CR)	Sus. by 101003-08960
17	101003-08960	1	CYLINDER PISTON KIT	
1	+ 101011-08961	1	CYLINDER (CR)	Sr/Nr 006687 and after
5	+ 100011-09560	2	RING, PISTON	
7	+ 100015-04630	2	CIRCLIP, PISTON PIN	
2	900162-05022	2	BOLT, H.S. 5*22	
3	101010-44332	1	GASKET, CYL. BASE	
4	100000-09562	1	PISTON KIT	Sus. by 100000-09563
4	100000-09563	1	PISTON KIT	
5	+ 100011-09560	2	RING, PISTON	
6	+ 100013-11520	1	PIN, PISTON	
7	+ 100015-04630	2	CIRCLIP, PISTON PIN	
8	+ 100014-11520	2	SPACER, PISTON PIN	
9	100100-44732	1	CRANKSHAFT ASSY	Sus. by A011-000160
9	A011-000100	1	CRANKSHAFT ASM	Sus. by A011-000160
9	A011-000160	1	CRANKSHAFT,ASM	
10	+ 100012-51230	1	BEARING, NEEDLE	Sus. by V553-000010
10	+ V553-000010	1	BEARING, NEEDLE 8	
11	100204-52130	1	CRANKCASE KIT	
12	+ 100212-42030	2	OILSEAL	
13	+ 100215-03930	2	PIN, DOWEL	
14	+ 900810-36201	2	BEARING, BALL 6201	Sus. by 94035-36201
14	+ 94035-36201	2	BEARING, BALL	
15	+ 100242-42030	1	GASKET, CRANKCASE	
16	+ 900162-05028	3	BOLT, H.S. 5*28	

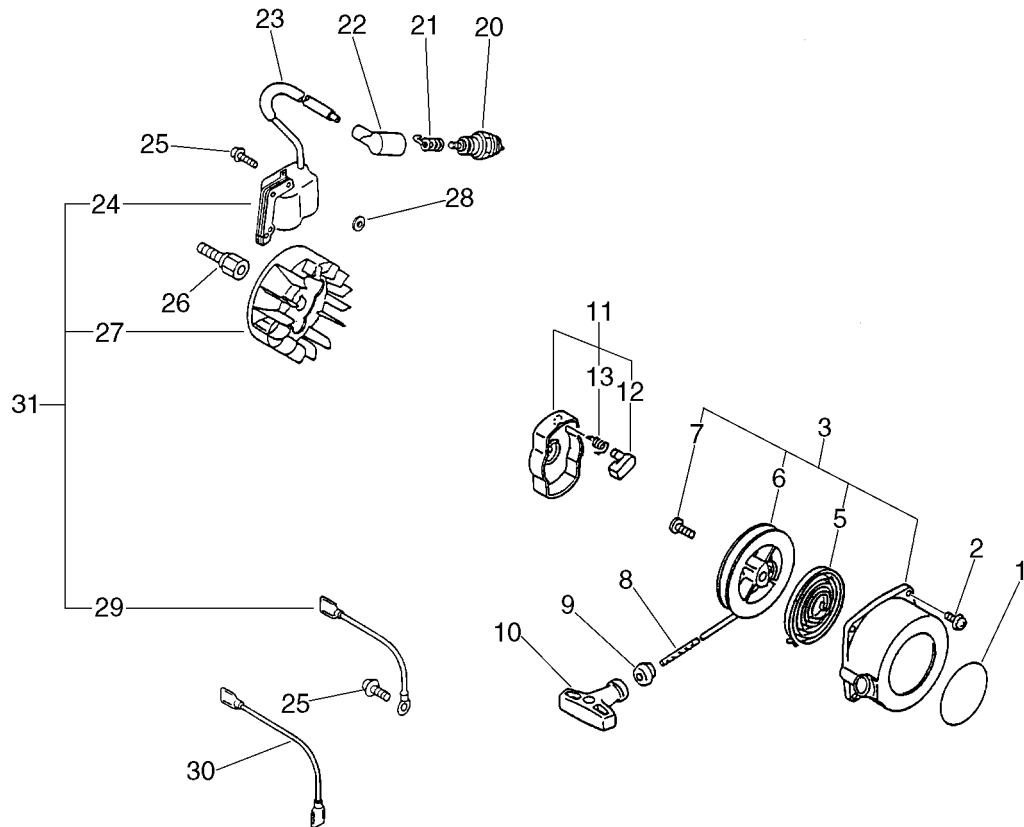


Bild	Artikelnummer	Anzahl	Beschreibung	Anmerkung
1	890118-49130	1	LABEL, ECHO	
2	900162-04016	4	BOLT, H.S. 4*16	Sus. by 900163-04016
2	900163-04016	4	BOLT HSH	
3	177200-42033	1	STARTER ASSY	
5 +	177220-42030	1	SPRING, REWIND	
6 +	177215-44430	1	DRUM, STARTER	
7 +	177236-44330	1	SCREW	
8 +	177226-10120	1	ROPE, STARTER	
9 +	177227-42030	1	GUIDE, ROPE	
10 +	177228-06530	1	GRIP, STARTER	
11	177202-44330	1	PAWL ASSY, STARTER	
11	A052-000061	1	PULLEY,ASM STARTER	Next Production
12 +	177218-44330	1	PAWL, STARTER	
13 +	177234-42030	1	SPRING, RETURN	
20	159017-10230	1	PLUG, SPARK (RCJ-7Y)	
21	159011-03432	1	COIL, SPARK PLUG CAP	
22	159012-03433	1	CAP, SPARK PLUG	
23	156611-05060	1	TUBE	
24	158626-06360	1	COIL, IGNITION	Sus. by P021-001181
24	158626-06361	1	COIL, IGNITION	Sus. by P021-001181
31	P021-001180	1	MAGNETO ASY	Sus. by P021-001181
31	P021-001181	1	MAGNETO ASY	
24 +	A411-000020	1	COIL,IGNITION	Sr/Nr 026783 and after
27 +	A409-000000	1	ROTOR,MAGNETO	Sus. by A409-000100
27 +	A409-000100	1	ROTOR,MAGNETO	Sr/Nr 026783 and after
29 +	V485-000040	1	LEAD	Sr/Nr 026783 and after
25	900162-04022	2	BOLT, H.S. 4*22	
26	200011-05661	1	HUB, FAN	
27	158800-20560	1	ROTOR, MAGNETO	Sus. by P021-001181
28	101531-54330	2	COLLAR	Sr/Nr 026782 and before
29	162010-20660	1	LEAD, GROUND	Sr/Nr 026782 and before
30	162021-20660	1	LEAD	

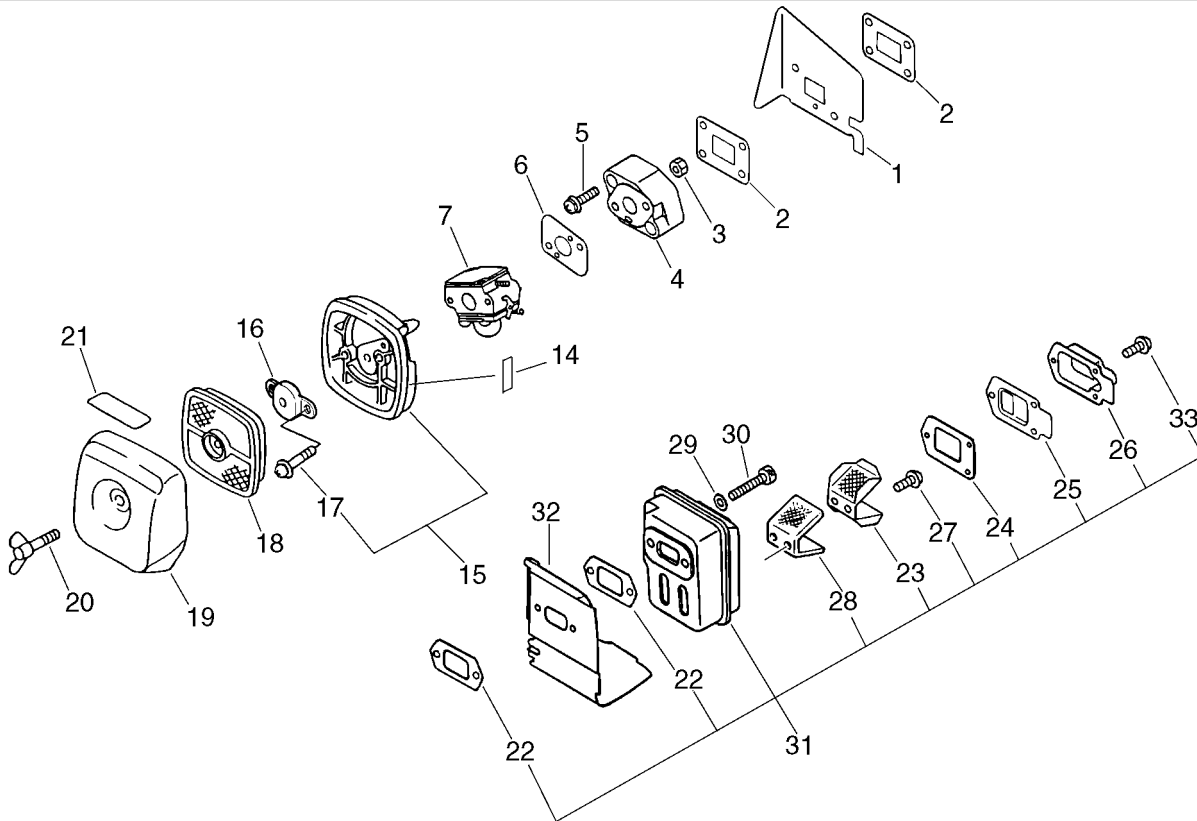


Bild	Artikelnummer	Anzahl	Beschreibung	Anmerkung
1	101514-20560	1	COVER, CYLINDER	
2	130010-09561	2	GASKET, INTAKE	
3	900500-00005	2	NUT 5	
4	130017-05062	1	INSULATOR, INTAKE	
5	900238-05022	2	SCREW 5*22	
6	130010-20560	1	GASKET, INTAKE	
7	125200-09560	1	CARBURETOR ASSY	Sus. by 125200-09561
7	125200-09561	1	CARBURETOR	
14	890560-90660	1	LABEL, PRIMING	
15	130307-06561	1	CASE, AIR CLEANER	Sus. by P021-002921
15	P021-002921	1	CASE, AIR CLEANER	
17	+ 900242-05065	2	SCREW 5*65	
16	129011-52730	1	PLATE, PREVENT	
18	130310-54130	1	FILTER, AIR	
19	130313-06563	1	LID, AIR CLEANER	
20	210417-52730	1	BOLT, WING	
21	890121-05360	1	LABEL, METERING	
31	145803-09660	1	MUFFLER ASSY	
22	+ 145510-42031	2	GASKET, MUFFLER	Sus. by V104-000160
22	+ V104-000160	2	GASKET, EXHAUST	
23	+ 145862-52130	1	SCREEN, MUFFLER	
24	+ 145866-42031	1	GASKET, MUFFLER LID	
25	+ 145876-42030	1	LID, MUFFLER (B)	
26	+ 145876-05061	1	PLATE	
27	+ 900238-04010	2	SCREW 4*10	
28	+ 145820-52130	1	CATALYST	
33	+ 900242-04010	3	SCREW 4*10	
29	900603-00005	2	WASHER 5	
30	900105-05055	2	BOLT, H.S. 5*55	
32	145871-05760	1	COVER, MUFFLER	

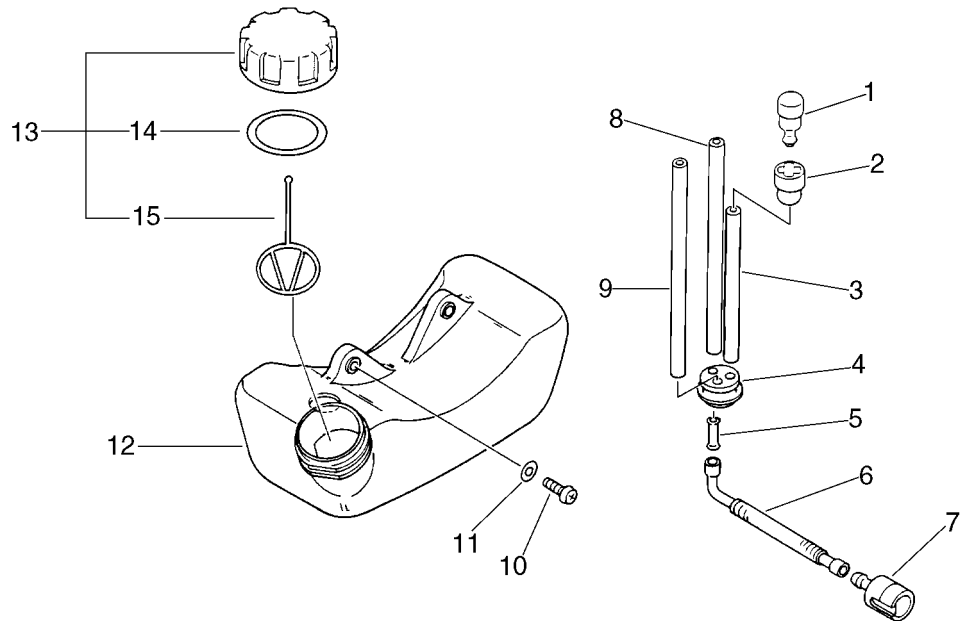


Bild		Artikelnummer	Anzahl	Beschreibung	Anmerkung
1		131300-56430	1	VALVE, CHECK	
2		131328-40630	1	COVER, VENT	
3		131312-44330	1	PIPE, 3*5*70L	Sus. by 131312-39130
3		131312-39130	1	PIPE	
4		132115-46730	1	GROMMET, FUEL	
5		132011-03360	1	CONNECTOR, FUEL PIPE	
6		132012-12360	1	PIPE, FUEL	
7		131205-07320	1	STRAINER, FUEL	
8		437210-11131	1	PIPE 3*5*90 NBR	
9		132010-56330	1	PIPE 3*6*90	
10		900238-05016	2	SCREW 5*16	
11		900603-00005	2	WASHER 5	
12		131005-20560	1	TANK, FUEL	
13		131004-55530	1	CAP ASSY, FUEL TANK	
14	+	131016-55830	1	GASKET, FUEL CAP	
15	+	131051-56030	1	CLIP, FUEL CAP	

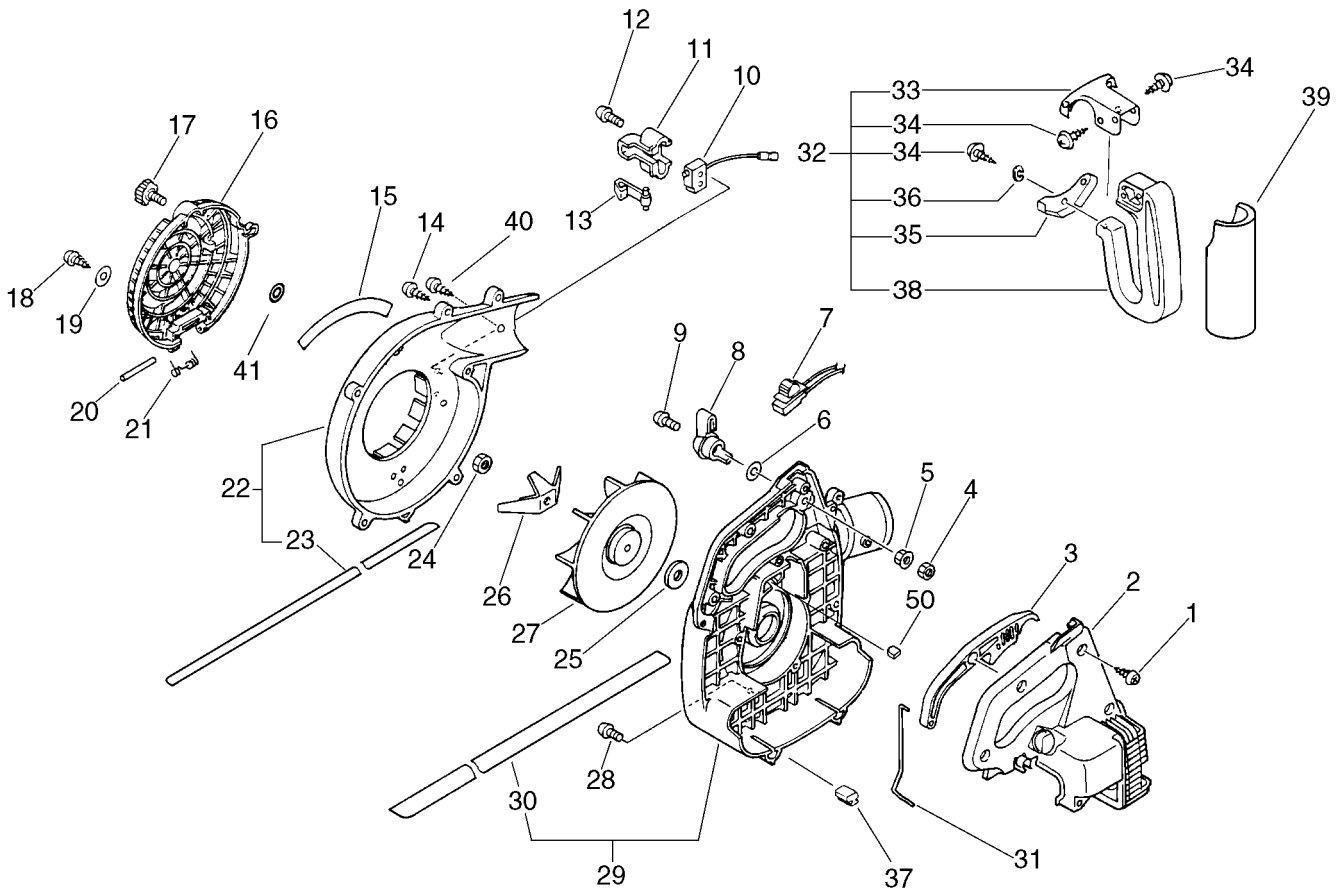


Bild	Artikelnummer	Anzahl	Beschreibung	Anmerkung	Bild	Artikelnummer	Anzahl	Beschreibung	Anmerkung
1	900253-05020	5	SCREW 5*20		22	200109-20661	1	CASE, FAN	Sus. by 200109-20662
2	104012-20560	1	COVER		22	200109-20662	1	CASE, FAN	
3	178010-20560	1	CONTROL, THROTTLE		23 +	220120-20560	1	CUSHION	Sus. by 220120-20561
4	900502-00005	1	NUT 5 (3N)		23 +	220120-20561	1	CUSHION	
5	900516-00005	1	NUT, FRANGE 5		24	900500-00008	1	NUT 8	
6	900603-00005	1	WASHER 5		25	100132-05660	1	WASHER	
7	163400-20560	1	SWITCH, IGNITION	Sus. by 163401-20561	26	200180-08761	1	CUTTER, SHREDDER	
7	163401-20560	1	SWITCH, IGNITION	Sus. by 163401-20561	27	200010-06362	1	FAN	Sus. by 200010-06363
7	163401-20561	1	SWITCH, IGNITION		27	200010-06363	1	FAN	
8	178054-20560	1	CONTROL, THROTTLE		28	900162-04022	4	BOLT, H.S. 4*22	
9	900238-05025	1	SCREW 5*25		29	200108-20661	1	CASE, FAN	Sus. by P021-003700
10	163400-20660	1	SWITCH, IGNITION		29	200108-20662	1	CASE, FAN	Sus. by P021-003700
11	163810-20660	1	BRACKET, SWITCH		29	P021-003700	1	CASE, FAN(W/PLUG)	
12	900256-04022	2	SCREW 4*22		30 +	220120-20660	1	CUSHION	Sus. by 220120-20661
13	163335-20660	1	LEVER, ACTUATOR	Sus. by 163335-20560	30 +	220120-20661	1	CUSHION	
13	163335-20560	1	LEVER, ACTUATOR		30 +	101538-28230	1	GROMMET, PLUG	
14	900253-05020	6	SCREW 5*20		31	178011-20560	1	ROD, THROTTLE	
15	890115-09560	1	LABEL, MODEL		32	351000-05060	1	HANDLE ASSY, REAR	
16	200124-20660	1	GRID, FAN CASE	Sus. by 200124-20661	33 +	351011-05060	1	SUPPORTER HANDLE	
16	200124-20661	1	GRID, FAN CASE		34 +	900253-05014	3	SCREW 5*14	Sus. by 900253-05016
17	130406-06360	1	KNOB, FASTENER	Sus. by 130406-20660	34 +	900253-05016	3	SCREW	
17	130406-20660	1	THUMB		35 +	351028-05060	1	SUPPORTER, HANDLE	
18	900253-05014	1	SCREW 5*14		36 +	900605-00005	1	WASHER, SPRING 5	
19	900603-00005	1	WASHER 5		38 +	351010-05060	1	HANDLE (BL)	
20	200150-05060	1	SHAFT, GRID		37	351335-20560	2	CUSHION	
21	200152-05060	1	SPRING, GRID		39	351213-54330	1	GRIP, HANDLE	
22	200109-20660	1	CASE, FAN	Sus. by 200109-20662	40	900256-05010	1	SCREW, TAPPING	
					41	900580-00004	1	PUSH, RING	

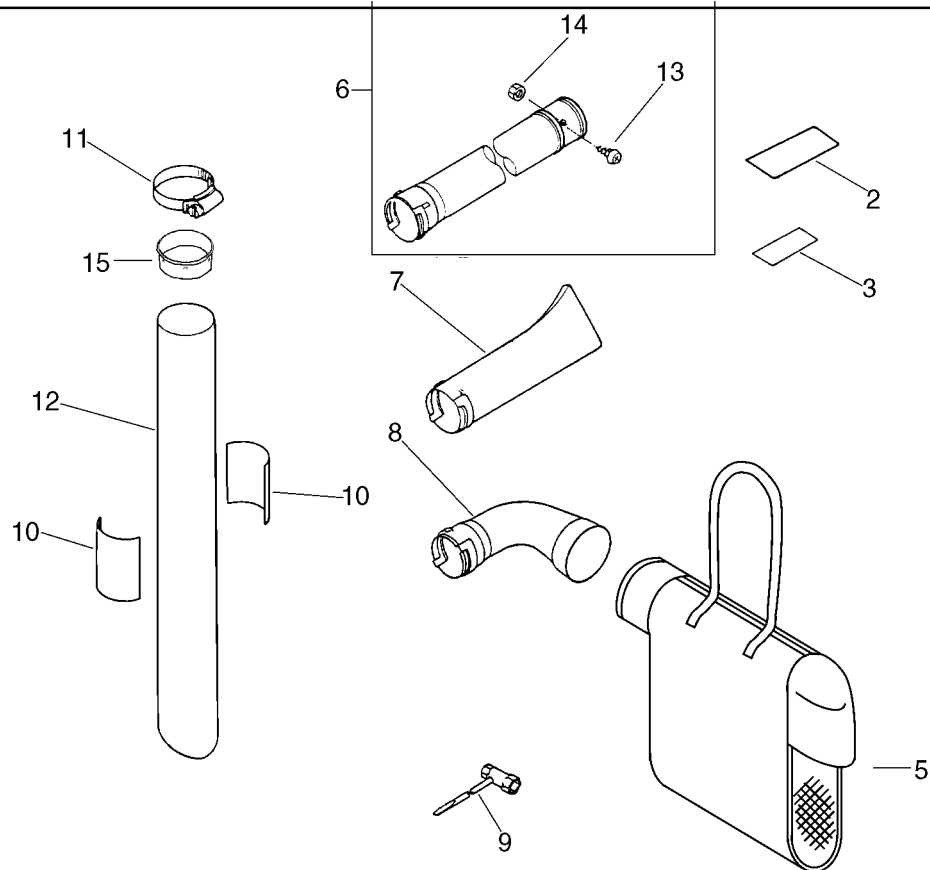


Bild	Artikelnummer	Anzahl	Beschreibung	Anmerkung
2	890160-09460	1	LABEL, CAUTION	Sus. by 890160-09461
2	890160-09461	1	LABEL, CAUTION	
3	890160-06360	1	LABEL, CAUTION	Sus. by 890160-06361
3	890160-06361	1	LABEL, CAUTION	
5	880814-09460	1	BAG, DUST(W/HARNESS)	Sus. by X692-000020
5	X692-000020	1	BAG,DUST	
6	210015-05060	1	PIPE, STRAIGHT (BL)	Sus. by 210007-20660
6	210007-20660	1	PIPE,BLOWER	
13	+ 900238-05010	1	SCREW 5*10	
14	+ 900500-00005	1	NUT 5	
7	210014-20560	1	PIPE, BLOWER	Sus. by 210014-20660
7	210014-20660	1	PIPE, STRAIGHT	
8	215012-05060	1	CONNECTOR (BL)	Sus. by 215012-20110
8	215012-20110	1	PIPE,MAIN	
9	895410-00430	1	WRENCH, W/S. DRIVER	
10	890118-09460	2	LABEL, MODEL	
11	210413-05060	1	CLAMP, FLEXIBLE PIPE	
12	210027-06562	1	PIPE, SUCTION	
15	385155-09660	1	SLEEVE	

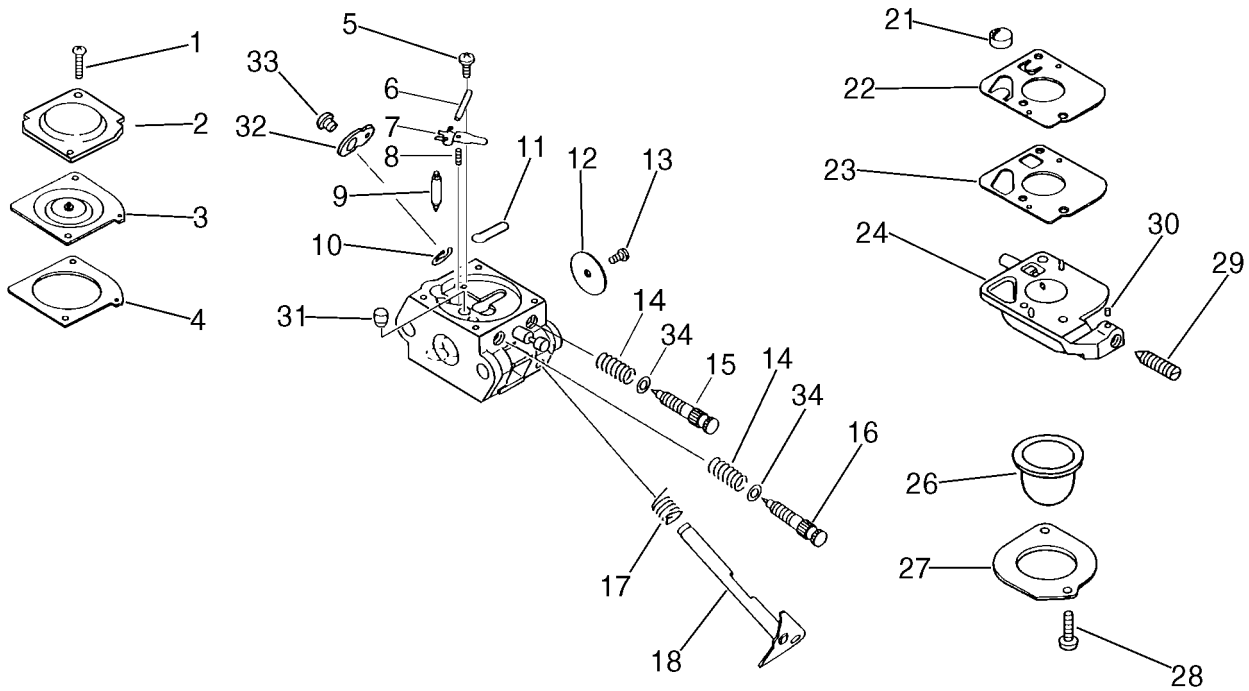


Bild	Artikelnummer	Anzahl	Beschreibung	Anmerkung	Bild	Artikelnummer	Anzahl	Beschreibung	Anmerkung
	125200-09560	1	CARBURETOR ASSY	Sus. by 125200-09561	17 +	125313-08560	1	SPRING, THRT. RETURN	
	125200-09561	1	CARBURETOR		18 +	125317-06860	1	SHAFT, THROTTLE	
1 +	125344-52130	2	SCREW		21 +	125326-42030	1	STRAINER	
2 +	125342-07360	1	COVER, DIAPHRAGM		22 +	125312-12820	1	DIAPHRAGM, FUEL PUMP	
3 +	125341-34530	1	DIAPHRAGM		23 +	125325-42030	1	GASKET, FUEL PUMP	Sus. by 125325-13310
4 +	125340-20560	1	GASKET, DIAPHRAGM		23 +	125325-13310	1	GASKET, PUMP	
5 +	125339-42030	1	SCREW		24 +	125324-11610	1	COVER, PUMP	Sus. by 125383-13310
6 +	125338-13930	1	PIN, METERING ARM		24 +	125383-13310	1	BASE, PRIMER	
7 +	125323-42030	1	LEVER, METERING		26 +	125381-46730	1	PUMP, PRIMING	Sus. by 125381-08660
8 +	125322-07260	1	SPRING, COIL		26 +	125381-08660	1	PUMP, PRIMING	
9 +	125337-06960	1	VALVE, INLET NEEDLE		27 +	125363-11610	1	RING	
10 +	125327-13930	1	CLIP		28 +	125310-11610	1	SCREW	
11 +	125345-15130	1	PLUG, WELCH		29 +	125334-06860	1	SCREW, IDLE ADJUST	
12 +	125316-20560	1	VALVE, THROTTLE	Sr/Nr 029298 and before	30 +	125378-13930	1	PIECE, FRICTION	
12 +	125316-53130	1	VALVE, THROTTLE	Sr/Nr 029299 and after	31 +	125376-07360	1	NOZZLE, CHECK VALVE	
13 +	125314-13930	1	SCREW		32 +	125350-20560	1	LEVER, THROTTLE	
14 +	125319-42030	2	SPRING, COIL	Sr/Nr 029298 and before	33 +	125348-13930	1	SCREW	
15 +	125318-09560	1	NEEDLE, IDLE	Sr/Nr 029298 and before	34 +	125353-07760	2	WASHER	Sus. by 125353-20560
15 +	P005-000450	1	SCREW ASY IDLE MIX.	Sr/Nr 029299 and after	34 +	125353-20560	2	WASHER	Sr/Nr 029298 and before
16 +	125320-20560	1	NEEDLE, HIGH SPEED	Sr/Nr 029298 and before		125303-20560	1	<b>Membransatz</b>	
16 +	125320-13310	1	NEEDLE, HIGH SPEED	Sr/Nr 029299 and after		125300-20560	1	<b>Reparatursatz</b>	
17 +	125313-20560	1	SPRING, THRT.RETURN	Sus. by 125313-08560					



		125303-20560	1	<b>Membransatz</b>	
	+	125312-42030	1	DIAPHRAGM, FUEL PUMP	
	+	125325-42030	1	GASKET, FUEL PUMP	Sus. by 125325-13310
7-23	+	125325-13310	1	GASKET, PUMP	
7-3	+	125341-34530	1	DIAPHRAGM	
7-4	+	125340-20560	1	GASKET, DIAPHRAGM	
		125300-20560	1	<b>Reparatursatz</b>	
7-9	+	125337-06960	1	VALVE, INLET NEEDLE	
7-8	+	125322-07260	1	SPRING, COIL	
7-7	+	125323-42030	1	LEVER, METERING	
7-6	+	125338-13930	1	PIN, METERING ARM	
7-21	+	125326-42030	1	STRAINER	
7-11	+	125345-15130	1	PLUG, WELCH	
	+	125312-42030	1	DIAPHRAGM, FUEL PUMP	
	+	125325-42030	1	GASKET, FUEL PUMP	Sus. by 125325-13310
7-23	+	125325-13310	1	GASKET, PUMP	
7-3	+	125341-34530	1	DIAPHRAGM	
7-4	+	125340-20560	1	GASKET, DIAPHRAGM	





**ECHO**®

**Motorgeräte**

*die geh'n ran*