

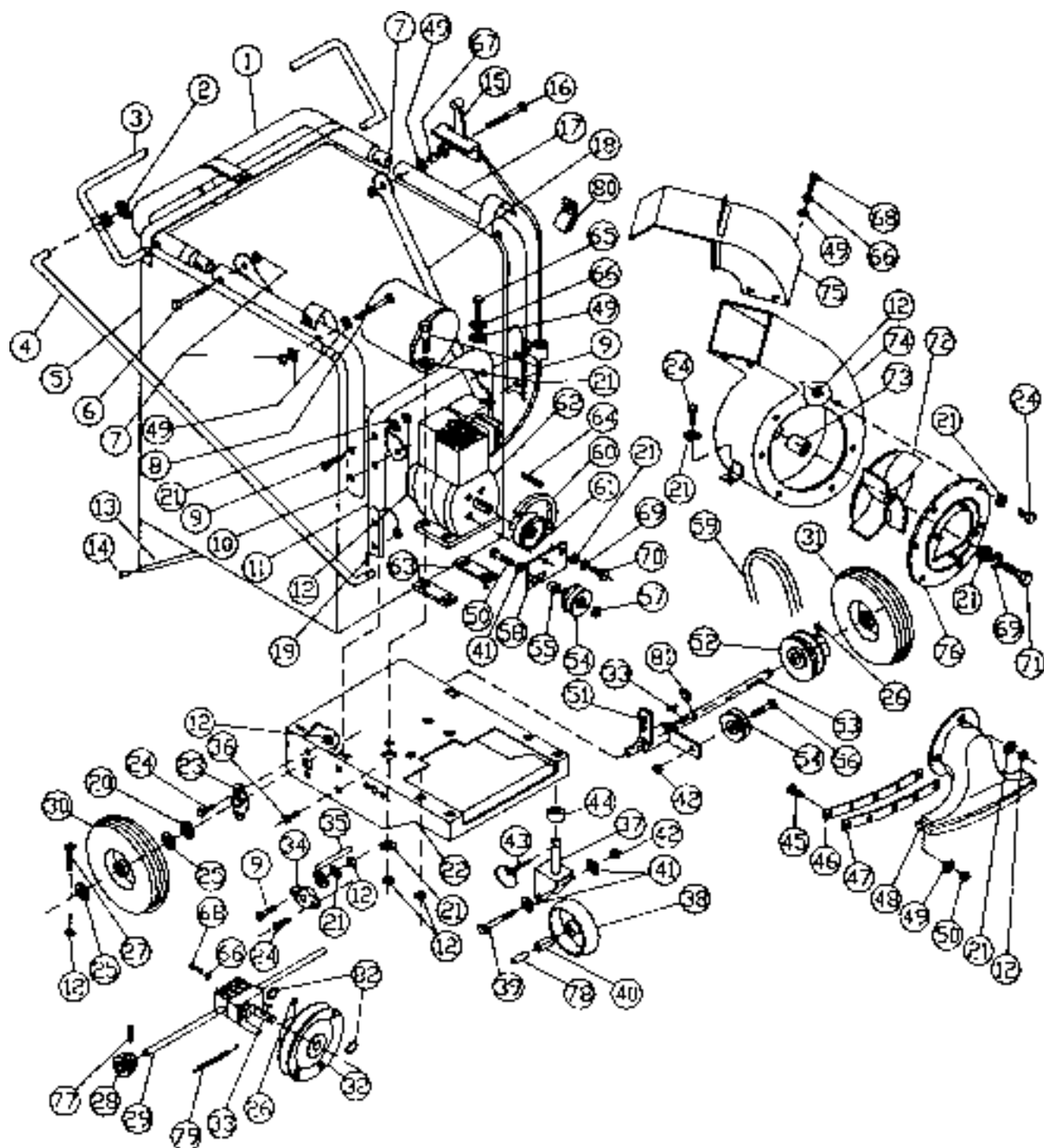
ERSATZTEILLISTE

Laubsauger ES-336SP

ECHO-Motorgeräte
Vertrieb Deutschland GmbH
Otto-Schott-Str. 7

72555 Metzingen

Telefon 07123-1091
Telefax 07123-2589
<http://www.echo-shop.de>
email: info@echo-shop.de

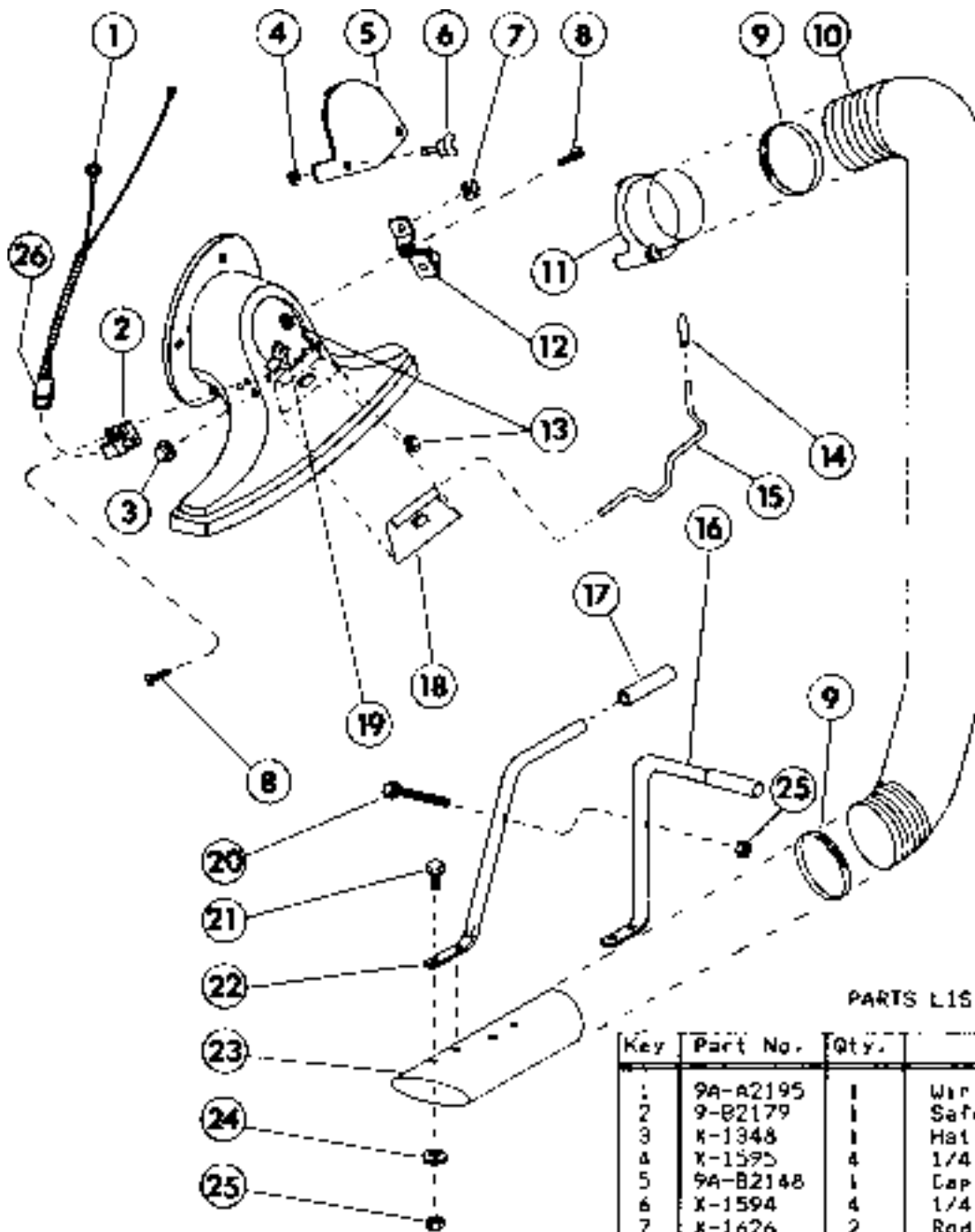


PARTS LIST

KEY	PART NUMBER	QTY	DESCRIPTION
1	9-C2355	1	HANDLE TUBE
2	X-1412	1	3/8 PUSH-ON
3	9A-A2368	1	CLUTCH ARM ASSY
4	9-A2356	1	CLUTCH ROD
5	9A-C2378	1	DEBRIS BAG
6	L-278	1	1/4-20 X 1-1/2 HHCS
7	X-1821	9	1/4-20 NYLOC NUT
8	X-1178	2	1/4-20 X 2 HHCS
9	X-1027	9	5/16-18 X 1 3/4 HHCS
10	9-D2354R	1	R.H. HANDLE SUPPORT TUBE
11	9-D2353	1	HANDLE MTC. TUBE
12	X-1822	54	5/16-18 NYLOC NUT
13	9-A2357	2	BAG ROD
14	1-1287	4	RUBBER CAP
15	9-B2342	1	THRITTLE
16	X-1831	1	1/4-20 X 2-1/4 HHCS
17	9-D2354L	1	L.H. HANDLE SUPPORT TUBE
18	9-2428	2	HANDLE BRACE
19	L-298	1	HARPIN
20	X-1478	2	3/4 WASHER
21	L-99	28	5/16 FLAT WASHER
22	9A-C2375	1	FRAME ASSY
23	9-A2270	2	3/4 FLANGE BUSHING
24	L-307	15	5/16-18 X 5/8 HHCS
25	X-1048	4	3/4 FLAT WASHER
26	X-2018	2	1/4-20 X 1/4 SET SCREW
27	L-81	2	5/16-18 X 1-1/4 HHCS
28	9-B2409	1	PULLEY
29	9-B2340	1	GEAR BOX
30	9A-A2425	1	WHEEL ASSY, RIGHT
31	9A-A2426	1	WHEEL ASSY, LEFT
32	9-B2343	1	6" O.D. PULLEY
33	X-1378	2	#6 (50S) WOODRUFF KEY
34	9-A2424	1	BELT RETAINER
35	9-A2289	2	1/2 FLANGE BEARING
36	L-58	4	5/16-18 X 3/4 HHCS
37	9A-A2373	2	CASTER YDKE ASSY
38	9-A2203-1	2	CASTER WHEEL
39	X-1484	2	5/8-16 X3 HHCS
40	9-A2203-2	2	WHEEL SPACER
41	L-64	5	3/8 FLAT WASHER
42	X-1823	3	3/8-18 NYLOC NUT
43	X-A1661	2	LYNCH PIN
44	9-A2374	8	CASTER STEM SPACERS
45	L-172	5	1/4-20 X 3/4 HHCS
46	9-B2106	1	RETAINER
47	9-B2105	1	SCRAPER
48	9-D2104	1	INTAKE NOZZLE
49	X-1099	18	1/4 FLAT WASHER
50	X-1020	1	3/8-18 X 1-3/4 HHCS
51	9A-B2418	1	IDLER PIVOT ASSY
52	9-A2410	1	5" PULLEY
53	9-B2344	1	DRIVE AXLE
54	4-10289	2	IDLER PULLEY
55	9-A2348	1	IDLER SPACER
56	X-1028	1	3/8-18 X 1-1/2 HHCS
57	X-1852	1	3/8-18 THIN NYLOC NUT
58	9-A2347	1	BELT IDLER BRACKET
59	9-A2411	1	TRANSMISSION DRIVE BELT
60	9-A2381	1	FINAL DRIVE BELT
61	9-A2394	1	ENGINE PULLEY
62	9-19008	1	5 H.P. ENGINE
63	9-A2376	2	ENGINE MTC RUBBER

PARTS LIST CONTINUED NEXT PAGE

64	X-1599	1	3/16 SD X 1-3/4 KEY
65	X-2020	1	1/4-20 X 1 HHCS
66	X-1000	6	1/4 SPLIT LOCK WASHER
67	1-1528	1	SPACER
68	X-1001	5	1/4-20 X 1/2 HHCS
69	X-1025	5	5/16 SPLIT LOCK WASHER
70	X-1087	2	5/16-24 X 3/4 HHCS
71	X-1087	1	5/16-24 X 2-3/4 Gr 5 HHCS
72	9A-D2279	1	IMPELLER ASSY
73	B-A2364	1	HUB SPACER
74	9A-C2370	1	IMPELLER HOUSING ASSY
75	9A-D2382	1	ELBOW ASSY
76	9A-D2103	1	NOZZLE ADAPTOR ASSY
77	X-1665	1	ROLL PIN
78	B-A2203-3	2	WHEEL SPACER
79	B-A2309	1	SPRING
80	1-1627	2	WIRE CLIP
81	X-1003	1	"E" RING
82	X-1649	2	1/2 EXT RET RING



PARTS LIST

Key	Part No.	Qty.	Description
1	9A-A2195	1	Wiring Harness
2	9-B2179	1	Safety Switch
3	K-1348	1	Hot Push On
4	X-1595	4	1/4 Turn Split Retainer
5	9A-B2148	1	Cap Weldment
6	X-1594	4	1/4 Turn Stud
7	X-1626	2	Rod Clip
8	L-242A	4	#10-24 x 1/2 Rd.-Hd. H.S.
9	9-1371	2	6" Hose Clamp
10	9-1399	1	6" Hose
11	9A-C2180	1	Hose Collar Weldment
12	9-A2185	1	Damper Adj. Brkt.
13	L-242B	4	#10-24 Hex. Kep Nut
14	9-A2186	1	Grip
15	9-C2183	1	Nozzle Damper Rod
16	9-D2182	1	Rear Tube
17	16-3080B	2	Hand Grip
18	9-B2184	1	Nozzle Damper
19	X-1593	2	1/4 Turn Receptacle
20	X-1631	1	1/4-20 x 2 1/4 H.H.C.S.
21	K-1001	4	1/4-20 x 1/2 H.H.C.S.
22	9-D2181	1	Front Tube
23	9-B2177	1	Hose Nozzle
24	K-1099	4	1/4 Flat Washer
25	K-1633	5	1/4-20 Lock Nut



ECHO®

Motorgeräte

die geh'n ran