

Stand 12.11.2001

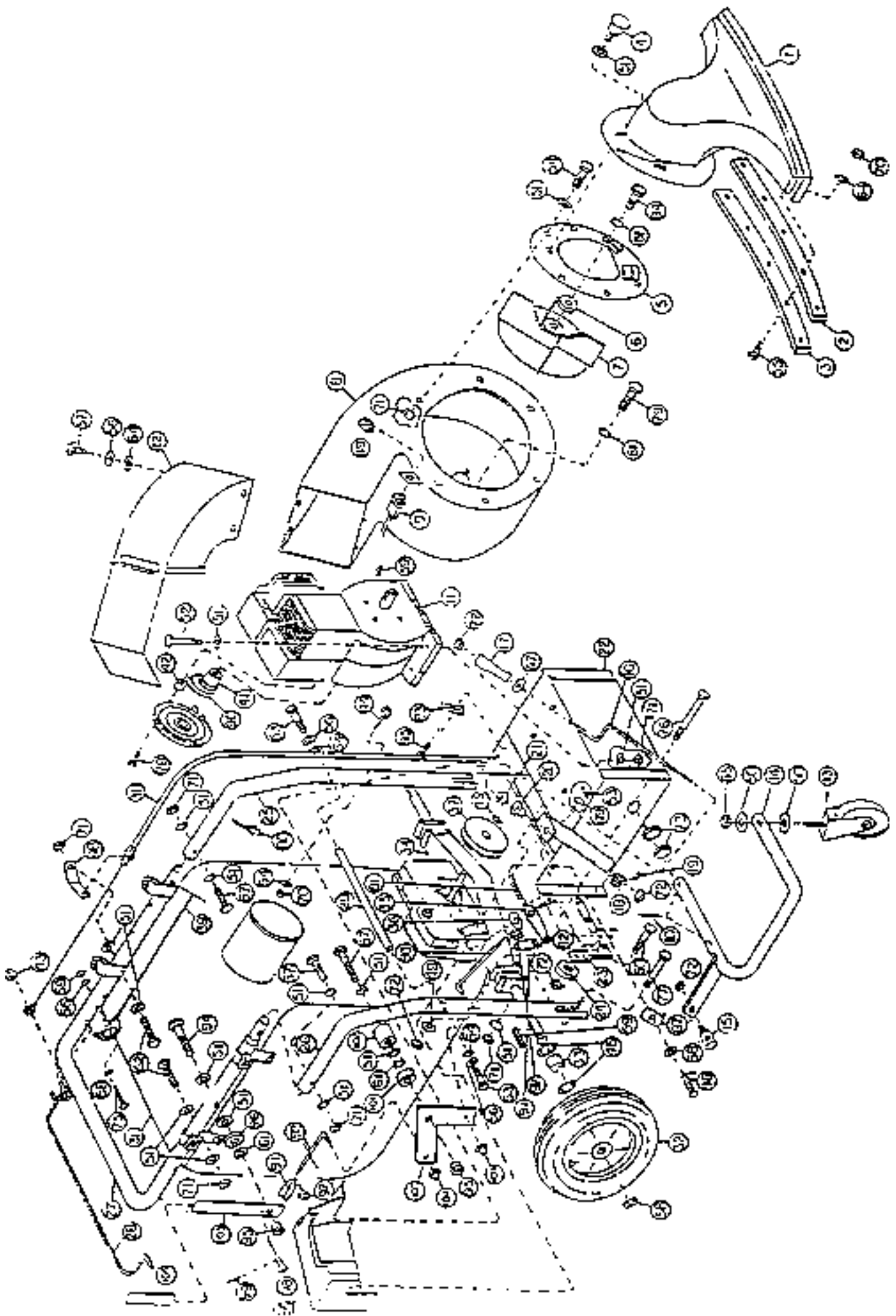
ERSATZTEILLISTE

Laubsauger ES-337SP mit Schaltgestänge

ECHO-Motorgeräte
Vertrieb Deutschland GmbH
Otto-Schott-Str. 7

72555 Metzingen

Telefon 07123-1091
Telefax 07123-2589
<http://www.echo-shop.de>
email: info@echo-shop.de



Key	Part No.	Qty.	Description	Key	Part No.	Qty.	Description
1	9A-02504	1	Intake Nozzle Assy.	54	L-307	6	5/16-18 x 5/8 HHCS
2	9-02105	1	Rubber Scraper	55	L-172	3	1/4-20 x 3/4 HHCS
3	9-02106	1	Retainer	56	X-1000	6	1/4 Split Lock Washer
4	9-A2550	1	Nozzle Knob	57	X-1001	4	1/4-20 x 1/2 HHCS
5	9A-02545	1	Adaptor Plate Assy.	58	X-1003	2	3/4 PB Key® Retainer
6	9-A2122	1	Impeller Spacer	59	X-1009	3	3/16 Sq. x 1 7/8 Key
7	9A-02430	1	Impeller Assy.	60	X-1020	1	3/8-16 x 1 3/4 HHCS
8	9A-C2538	1	Impeller Housing Assy.	61	X-1025	6	5/16 Split Lock Washer
9	9A-2575	1	Switch Assy.	62	K-1028	2	5/16-18 x 2 HHCS
10	X-1374	2	1/8 Dia. x 1 3/4 Cotter Pin	63	X-1072	2	1/4-20 x 1 3/4 HHCS
11	9-2502	1	Engine	64	X-1099	12	1/4 Flat Washer
12	9A-02382	1	Elbow Assy.	65	X-1353	1	1/2-13 Center-Loc Nut
13	9-A2517	1	Caster Assy.	66	X-1419	1	#10 Flat Washer
14	9A-C2537	1	Caster Tube Assy.	67	X-1545	3	5/16-18 x 2 3/4 HHCS
15	9A-2441	1	Pivot Bolt	68	X-1617	3	#10 x 3/4 Flat Washer
16	9-02526	1	Height Adjustment Rod	69	X-1620	1	10-24 Nyloc Nut
17	9-A2543	1	Height Adjustment Knob	70	L-303	6	1/4-20 center-loc nut
18	X-02016	1	3/8 I.D. Rod Collar	71	X-1107	18	5/16-18 center-loc nut
19	X-2018	1	1/4-20 x 1/4 Set Screw	72	X-1199	8	3/8-16 center-loc nut
20	9-A2539	1	Shoulder Bushing	73	K-1651	2	1.275 x 2 Nylon Flatwasher
21	1-A2684	1	Spacer	74	X-1683	2	10-24 x 2 HHCS
22	9A-02536	1	Frame Assy.	75	X-1684	1	10-24 x 2 1/4 HHCS
23	9A-A2528	1	Idle Pulley Assy.	76	X-1685	4	3/8-16 x 2 3/4 HHCS
24	4-A10269	1	Idle Pulley	77	X-1686	4	5/16-18 x 2 1/2 HHCS
25	9-02519	1	Left Upright Tube	78	X-1687	4	10-32 x 5/8 Washer Hd. Bolt
26	9-02520	1	Right Upright Tube	79	X-1688	4	5/16-24 x 1 1/4 HHCS
27	9-02518	1	Steering Handle	80	X-1689	2	7" Black Wire Tie
28	9A-C2531	1	Clutch Bail Assy.	81	1-1645	1	Return Spring
29	9A-A2495	1	Support Tube Assembly	82	X-1691	1	1/4-28x1/2 Washer Hd. Bolt
31	9A-2572	1	Debris Bag Assy.	83	X-1692	2	Cable Clamp
32	9-2532	2	Wheel/Tire Assy.	84	X-1694	1	5/16-24 x 1 1/2 HHCS
33	9-A2509	2	Wheel Spacer	85	X-1695	1	10-24x5/8 Self Tapping Sc.
34	9-2535	1	Transaxle	86	9-2559	1	Transaxle/Belt Cover
35	9-A2510	1	Shift Lever	87	X-1515	2	10-24 Timmerman Nut Clip
36	9-A2548	1	Shift Lever Spacer	88	X-1659	2	10-24 x 5/8 Stotted Bolt
37	9-02525	1	Input Pulley	89	9-2573	1	Plastic Nut
38	9-A2516	1	Clutch Cable Assy.	90	9-2503	1	Drive Belt
39	9-A2557	1	Throttle Control Assy.	91	9-2596	2	Yoke
41	9A-2524	1	Engine Pulley Assy.	92	9-2589	1	UPPER SHIFT ROD
42	9-A2540	4	Starter Spacers	93	9-2590	1	LOWER SHIFT ROD
43	X-1348	1	5/16 I.D. Push-on Retainer	94	X-1027	1	3/16-18 x 1 3/4 HHCS
44	X-1696	1	1/4-20 x 1 1/4 Eye Bolt	95	L-5552	2	5/16-18 PILET NUT
45	X-3030	1	5/8 Snap Ring	96	9-2599	1	.312 x .75 x .125 NYLON SPACER
46	X-A1048	4	3/4 I.D. x 1/40 I.D. Flatwasher	97	X-1697	2	1/4-28 REGULAR NUT
47	X-1693	1	3/8 I.D. Nylon Spacer	98	X-1167	2	YORK PIN
48	9-A2553	1	Tube Bracket	99	C-212	2	COTTER PIN
49	L-64	5	3/8 Flat Washer	100	9-2592	1	PIVOT BRACKET
50	L-64A	2	1/2 Flat Washer	101	9-2594	2	.440 x .75 x .093 NYLON SPACER
51	L-99	31	5/16 Flat Washer	102	9-2593	1	.400 x .675 x .625 NYLON SPACER
52	L-127	4	5/16-18 x 1 1/2 HHCS	103	9-2591	1	SHIFT HANDLE
53	L-1318	1	.003 x 3/4 Cotter Pin	104	X-1670	2	1/4 DIA. "PAT" RETAINER
				105	1-2768	1	HAND GRIP

ECHO®

Motorgeräte

die geh'n ran