

Stand 12.11.2001

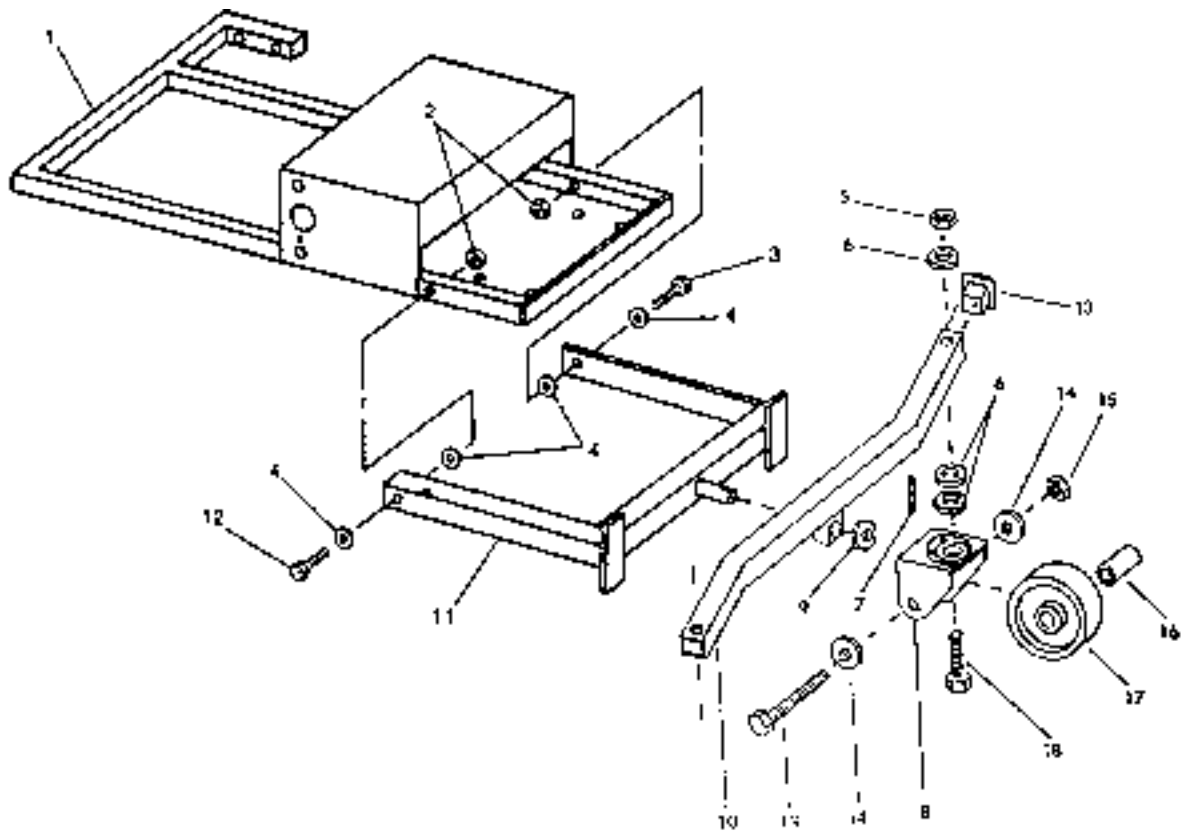
ERSATZTEILLISTE

Laubsauger ES-370

ECHO-Motorgeräte
Vertrieb Deutschland GmbH
Otto-Schott-Str. 7

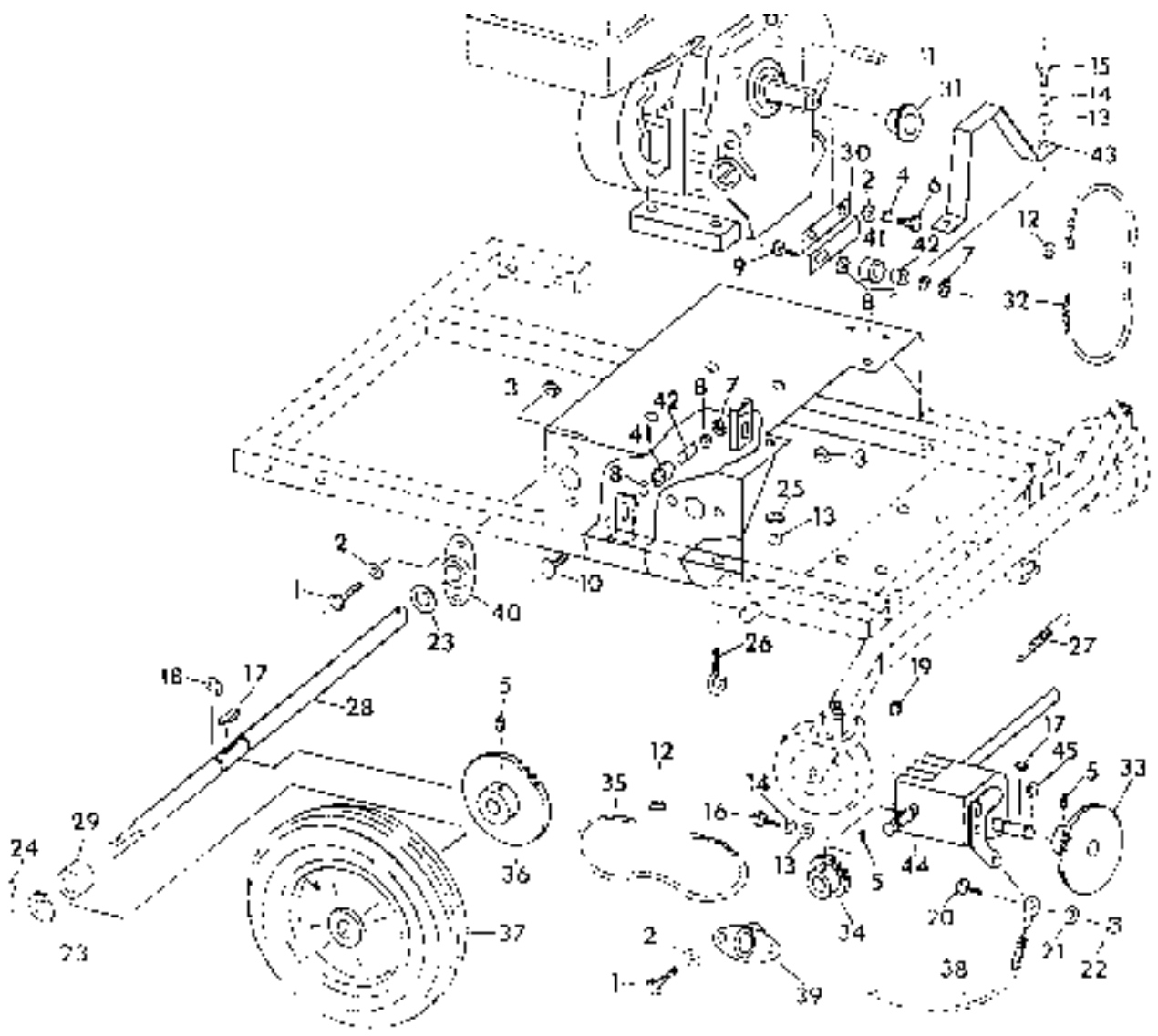
72555 Metzingen

Telefon 07123-1091
Telefax 07123-2589
<http://www.echo-shop.de>
email: info@echo-shop.de



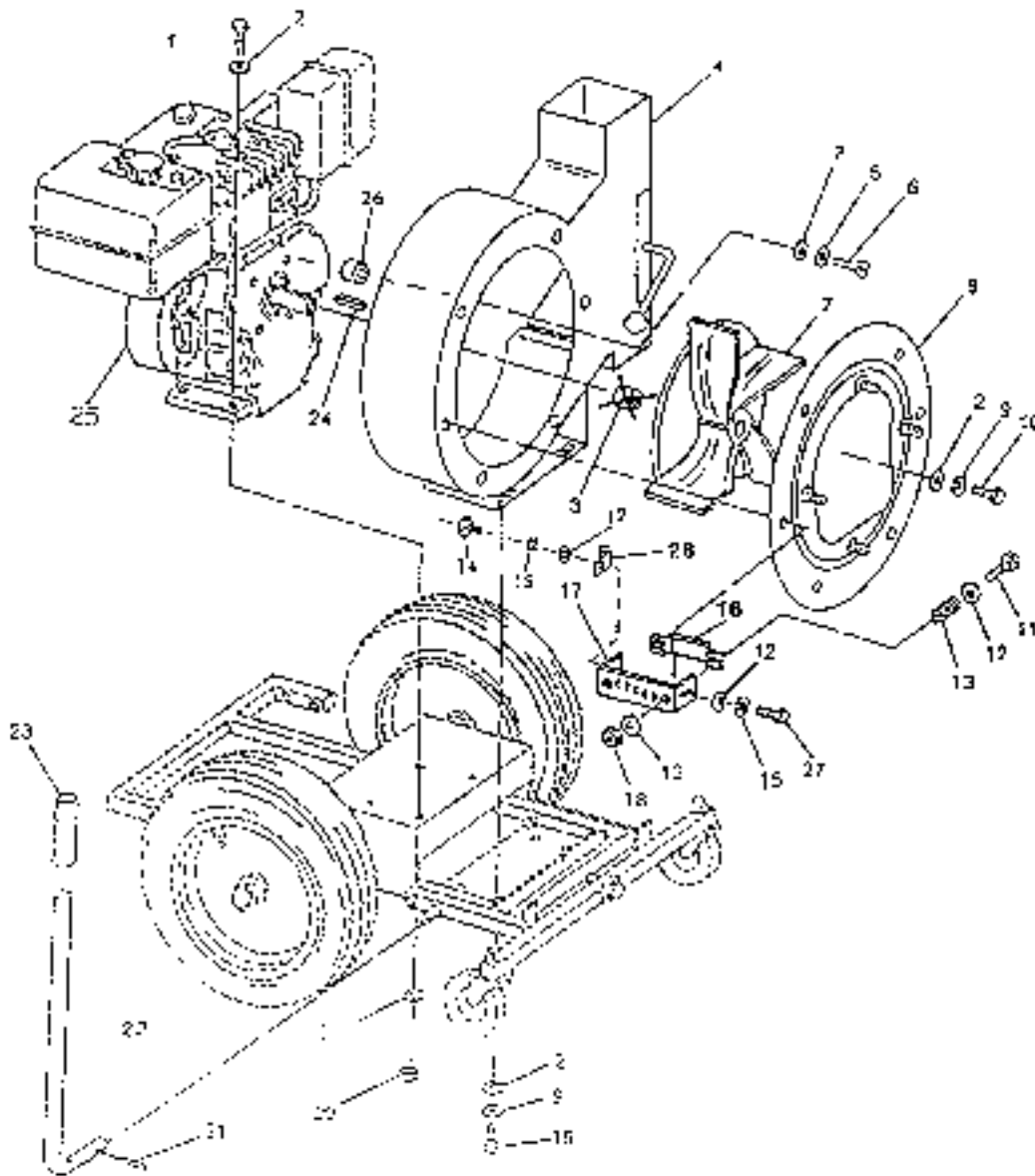
CASTER WHEELS AND FRAME

KEY	PART NO.	QTY.	DESCRIPTION	KEY	PART NO.	QTY.	DESCRIPTION
1	9A-0227A	1	CHASSIS ASSEMBLY	11	9A-C2044	1	CASTER LIFT AND PIVOT ASSEMBLY
2	X-1527	2	5/16-18 HEX NYLOC NUT	12	X-1511	1	5/16-18 x 2 3/4 HEX HD. CAP SC
3	X-1027	1	5/16-18 x 1 3/4 H.H.C.S.	13	9-A2204	2	FOOD CAP
4	L-99	4	1/2" FLAT WASHER	14	L-20	4	2/8 H.H. WASHER
5	X-1253	2	1/2-13 HEX LOCK NUT	15	X-1423	2	3/8 16 HEX NYLOC NUT
6	L-646	6	1/2 FLAT WASHER	16	9-A2203-2	2	JEFFI SPACER
7	L-93	1	1/2 x 1 1/4 SPLIT COYTEX PIN	17	9-A2205-1	2	CASTER WHEEL
8	9A-22202	2	CASTER FORK ASSEMBLY	18	X-1635	2	1/2-13 x 2 3/4 H.H. C.S.
9	X-1043	1	1/2" J.D. FLAT WASHER	19	X-1494	2	3/8 16 x 3 HEX HD. CAP SC.
10	9A-C2203	1	CASTER PIVOT AXLE ASSEMBLY				



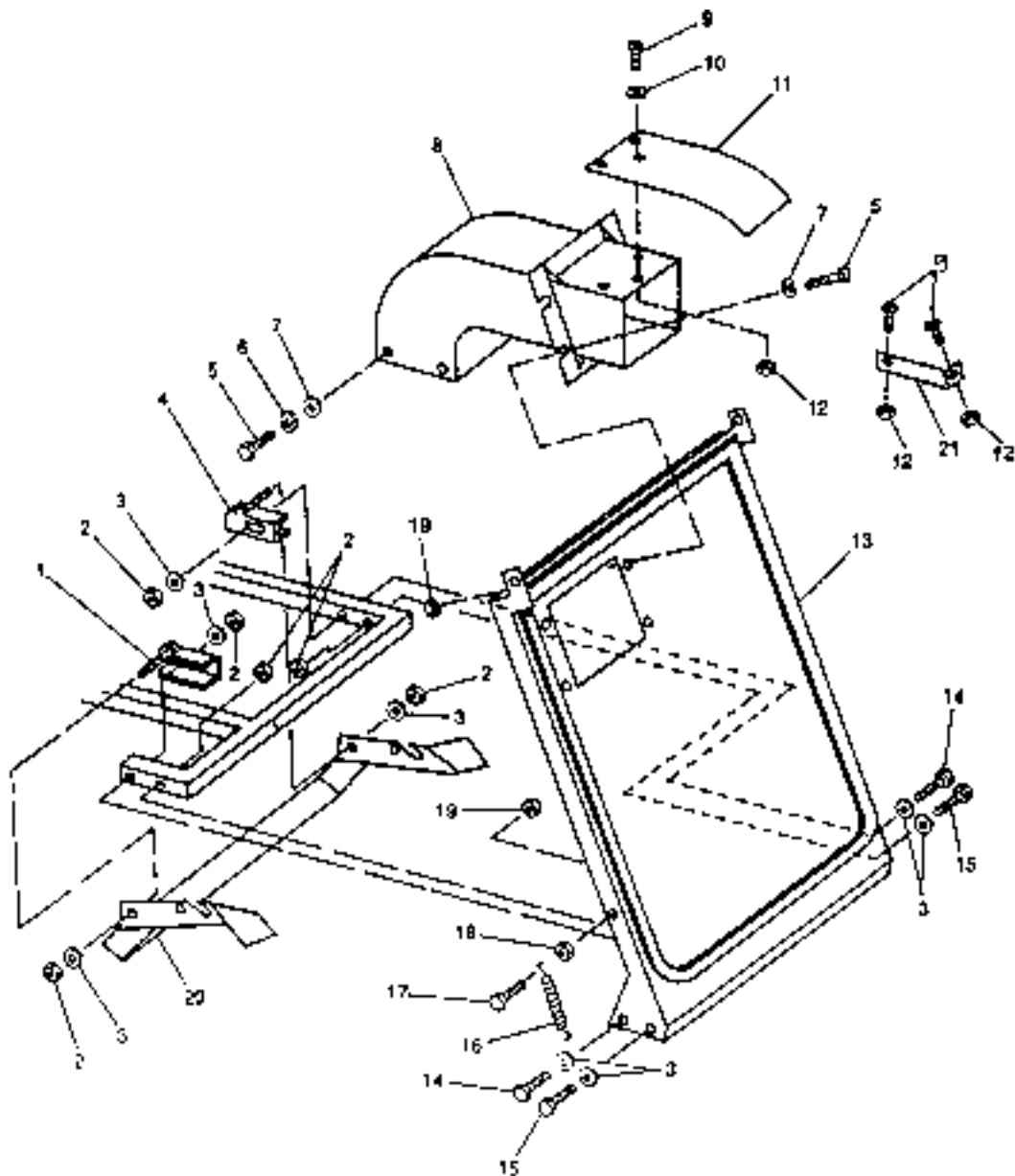
DRIVE SYSTEM

KEY	PART NO.	QTY	DESCRIPTION
1	X-1000	1	1/2" DIA. RETAINING RING
2	X-1000	1	1/2" DIA. RETAINING RING
3	X-1000	1	1/2" DIA. RETAINING RING
4	X-1000	1	1/2" DIA. RETAINING RING
5	X-1000	1	1/2" DIA. RETAINING RING
6	X-1000	1	1/2" DIA. RETAINING RING
7	X-1000	1	1/2" DIA. RETAINING RING
8	X-1000	1	1/2" DIA. RETAINING RING
9	X-1000	1	1/2" DIA. RETAINING RING
10	X-1000	1	1/2" DIA. RETAINING RING
11	X-1000	1	1/2" DIA. RETAINING RING
12	X-1000	1	1/2" DIA. RETAINING RING
13	X-1000	1	1/2" DIA. RETAINING RING
14	X-1000	1	1/2" DIA. RETAINING RING
15	X-1000	1	1/2" DIA. RETAINING RING
16	X-1000	1	1/2" DIA. RETAINING RING
17	X-1000	1	1/2" DIA. RETAINING RING
18	X-1000	1	1/2" DIA. RETAINING RING
19	X-1000	1	1/2" DIA. RETAINING RING
20	X-1000	1	1/2" DIA. RETAINING RING
21	X-1000	1	1/2" DIA. RETAINING RING
22	X-1000	1	1/2" DIA. RETAINING RING
23	X-1000	1	1/2" DIA. RETAINING RING
24	X-1000	1	1/2" DIA. RETAINING RING
25	X-1000	1	1/2" DIA. RETAINING RING
26	X-1000	1	1/2" DIA. RETAINING RING
27	X-1000	1	1/2" DIA. RETAINING RING
28	X-1000	1	1/2" DIA. RETAINING RING
29	X-1000	1	1/2" DIA. RETAINING RING
30	X-1000	1	1/2" DIA. RETAINING RING
31	X-1000	1	1/2" DIA. RETAINING RING
32	X-1000	1	1/2" DIA. RETAINING RING
33	X-1000	1	1/2" DIA. RETAINING RING
34	X-1000	1	1/2" DIA. RETAINING RING
35	X-1000	1	1/2" DIA. RETAINING RING
36	X-1000	1	1/2" DIA. RETAINING RING
37	X-1000	1	1/2" DIA. RETAINING RING
38	X-1000	1	1/2" DIA. RETAINING RING
39	X-1000	1	1/2" DIA. RETAINING RING
40	X-1000	1	1/2" DIA. RETAINING RING
41	X-1000	1	1/2" DIA. RETAINING RING
42	X-1000	1	1/2" DIA. RETAINING RING
43	X-1000	1	1/2" DIA. RETAINING RING
44	X-1000	1	1/2" DIA. RETAINING RING
45	X-1000	1	1/2" DIA. RETAINING RING
46	X-1000	1	1/2" DIA. RETAINING RING
47	X-1000	1	1/2" DIA. RETAINING RING
48	X-1000	1	1/2" DIA. RETAINING RING
49	X-1000	1	1/2" DIA. RETAINING RING
50	X-1000	1	1/2" DIA. RETAINING RING
51	X-1000	1	1/2" DIA. RETAINING RING
52	X-1000	1	1/2" DIA. RETAINING RING
53	X-1000	1	1/2" DIA. RETAINING RING
54	X-1000	1	1/2" DIA. RETAINING RING
55	X-1000	1	1/2" DIA. RETAINING RING
56	X-1000	1	1/2" DIA. RETAINING RING
57	X-1000	1	1/2" DIA. RETAINING RING



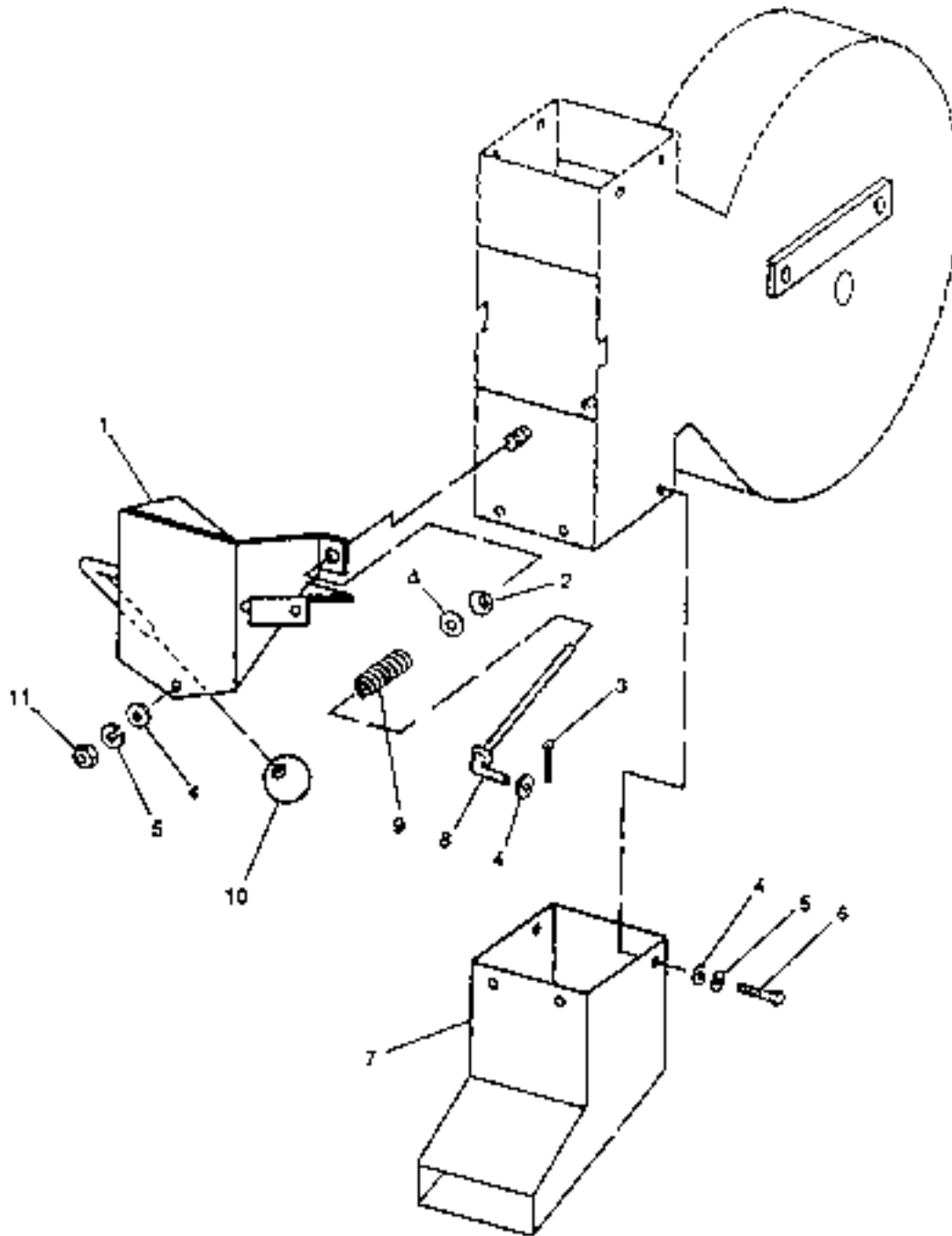
IMPELLER AND IMPELLER HOUSING

KEY	PART NO.	QTY.	DESCRIPTION	KEY	PART NO.	QTY.	DESCRIPTION
1	L-127	4	5/16-18 x 1 1/2 HEX HD. CAP SC.	15	X-1000	2	1/4 HD. SPLIT LOCK WASHER
2	L-99	10	3/16 FLAT WASHER	16	9-R2107	1	FRONT BRACKET
3	X-1657	1	3/16 CONDUIT LIP	17	9-D2101	1	REARV ADJUSTMENT BRKT.
4	9A-02075	1	IMPELLER HOUSING ASSEMBLY	18	X-1648	2	1/4-20 HEX NYLOC NUT
5	L-203	2	5/16 EXT. 100TH LOCK WASHER	19	L-59	4	5/16-18 x 3/4 HEX HD. CAP SC.
6	X-1650	2	5/16-24 x 2 HEX HD. CAP SC.	20	X-1622	4	5/16-18 HEX NYLOC NUT
7	9A-02279	1	IMPELLER ASSEMBLY	21	X-1009	1	1/4 x 1 1/4 SCLL PIN
8	9A-02109	1	ADAPTER ASSEMBLY	22	9A-12109	1	ADJUSTMENT HANDLE ASSY.
9	X-1075	5	5/16 SPLIT LOCK WASHER	23	14-30800	1	HAND GRIP
10	X-1648	1	5/16-24 x 2 3/8 HEX HD. CAP SC.	24	X-1599	1	3/16 50. x 1 3/4 LG. KEY
11	X-1072	2	1/4-20 x 1 3/4 HEX HD. CAP SC.	25	9-A2248	1	5 H.P. B/S ENGINE
12	X-1099	12	1/4 FLAT WASHER	26	9-A2266	2	HOUSING SPACER
13	9-A2108	2	SPACER	27	X-1061	1	1/4-20 x 5/8 HEX HD. CAP SC.
14	X-1001	7	1/4-20 x 1/2 HEX HD. CAP SC.	28	X-1657	1	3/16 CONDUIT LIP



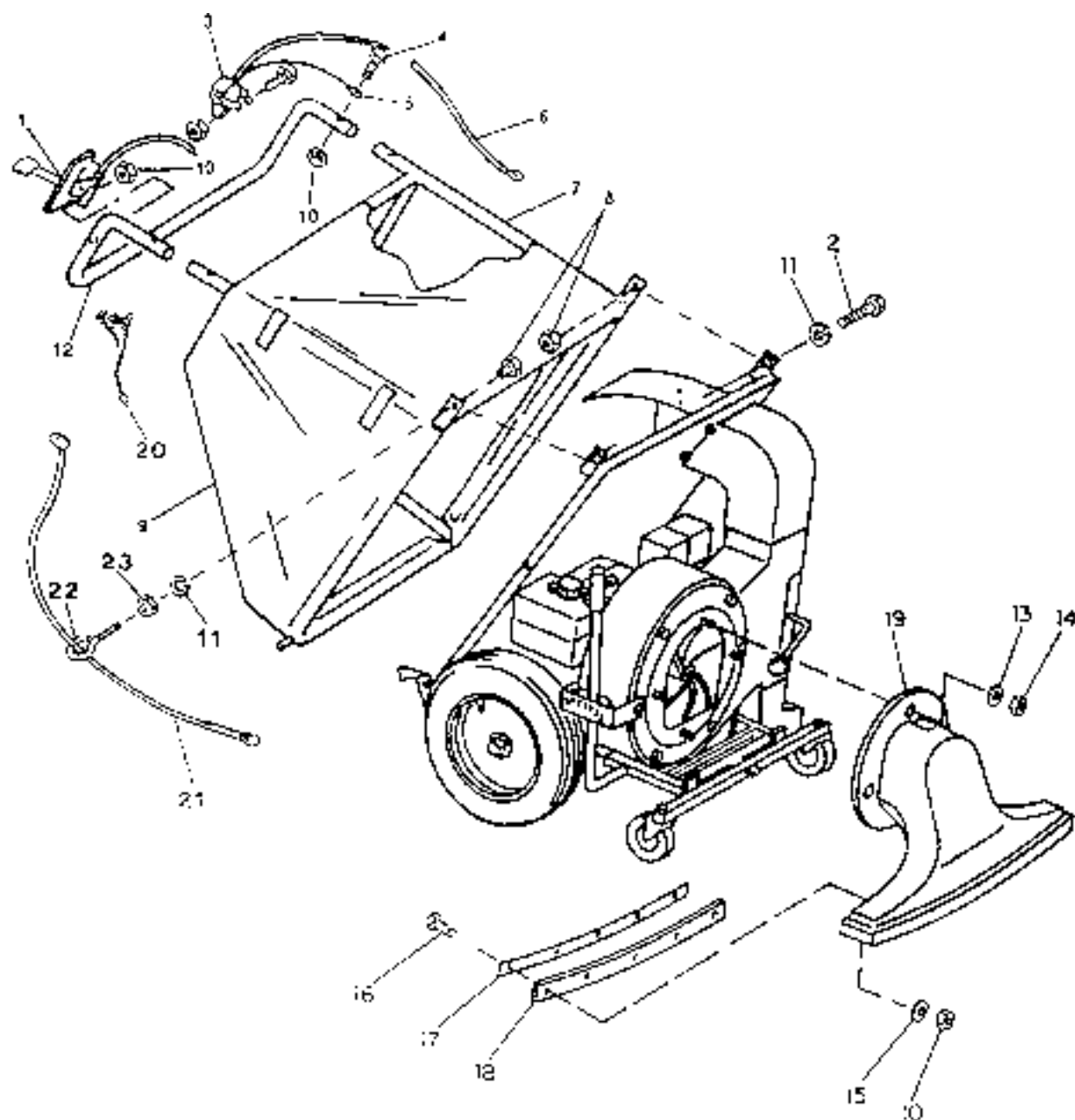
FRAME AND CHUTE

KEY	PART NO.	QTY.	DESCRIPTION	KEY	PART NO.	QTY.	DESCRIPTION
1	9A-A2073	1	LEFT SIDE ADJUSTER	12	X-2009	5	M10-32 HEX LOCKNUT
2	K-1622	6	5/16-18 x 1 NYLOC NUT	13	9A-02014	1	PANEL ASSEMBLY
3	L-99	2	5/16 FLAT WASHER	14	X-1027	2	5/16-18 x 1 3/4 HEX HD. CAP SC
4	9A-A2072	1	RIGHT SIDE ADJUSTER	15	L-127	2	5/16-18 x 1 1/2 HEX HD. CAP SC
5	X-1001	4	1/4-20 x 1/2 HEX HD. CAP SC.	16	9-A2115	1	LATCH SPRING
6	K-1000	4	1/4 HEX. SPICT LOCK WASHER	17	X-2020	1	1/4-20 x 1 HEX HD. CAP SC.
7	X-1099	3	1/4 FLAT WASHER	18	L-309	1	1/4-20 STANDARD HEX NUT
8	9A-02092	1	EXHAUST ELBOW	19	X-1621	5	1/4-20 HEX NYLOC NUT
9	K-1425	5	M10-32 x 1/16 HD. R. HD. S.	20	9A-02068	1	LATCH ASSEMBLY
10	X-1464	3	7/32 FLAT WASHER	21	9-A2181	1	BRACE
11	9-02100	1	DEFLECTOR				



DAMPER AND BLOWER NOZZLE

Key	Part No.	Qty	Description
1	9A-D2082	1	Damper Assembly
2	9-A2113	1	Spring Pivot
3	L-212	1	1/16 x 3/4 Cotter Pin
4	X-1099	7	1/4 Flat Washer
5	X-1000	5	1/4 Split Lock Washer
6	X-1001	4	1/4-20 x 1/2 H.H.C.S.
7	9A-C2088	1	Blower Nozzle Assy.
8	9A-A2116	1	Damper Rod Assy.
9	9-A2117	1	Damper Spring
10	9-A2086	1	Knob
11	L-364	1	1/4-20 Hex Nut



SAW CHAIN & NOZZLE

QTY	PART NO.	DESCRIPTION	QTY	PART NO.	DESCRIPTION
1	94-02104	CHAIN	1	1-54	SPR. PLATE WASHER
1	94-02105	CHAIN LINK	1	8-1621	SPR. PLATE WASHER
1	94-02106	CHAIN GUIDE	1	7-02107	SLINGER
1	94-02107	CHAIN EYE BOLT	1	7-02108	SLINGER
1	94-02108	CHAIN EYE NUT	1	94-02109	NOZZLE
1	94-02109	CHAIN EYE WASHER	1	94-02110	TRIGGER GUN
1	94-02110	TRIGGER GUN	1	94-02111	TRIGGER GUN EYE BOLT
1	94-02111	TRIGGER GUN EYE BOLT	1	94-02112	TRIGGER GUN EYE NUT
1	94-02112	TRIGGER GUN EYE NUT	1	94-02113	TRIGGER GUN EYE WASHER
1	94-02113	TRIGGER GUN EYE WASHER	1	94-02114	STANDARD HEX BOLT
1	94-02114	STANDARD HEX BOLT	1	94-02115	STANDARD HEX NUT

ECHO®

Motorgeräte

die geh'n ran