

Stand 07.02.2002

ERSATZTEILLISTE

ECHO Bläser PB-2405

ECHO-Motorgeräte
Vertrieb Deutschland GmbH
Otto-Schott-Str. 7

72555 Metzingen

Telefon 07123-1091
Telefax 07123-2589
<http://www.echo-shop.de>
email: info@echo-shop.de

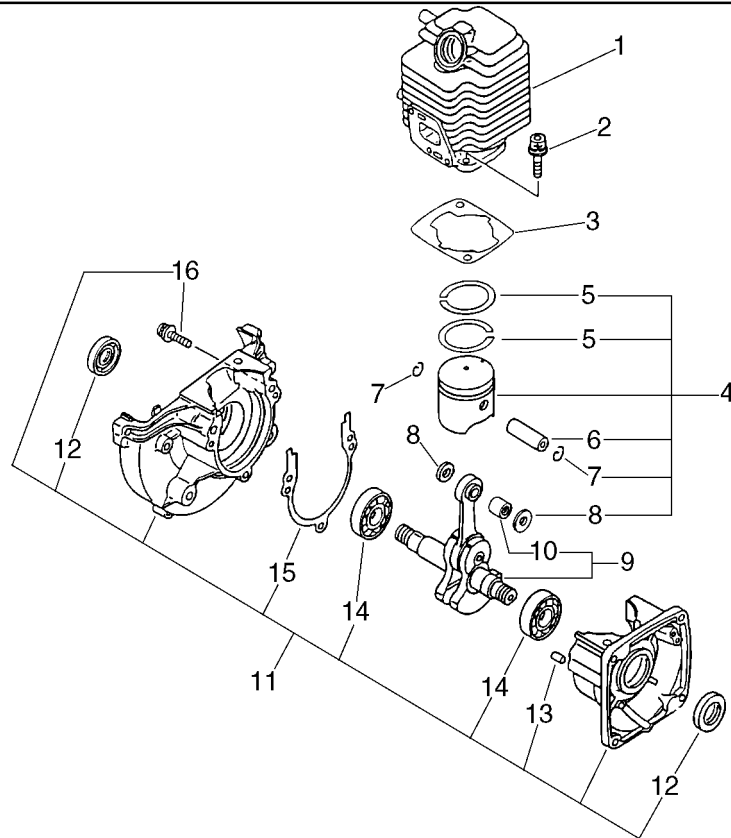


Bild	Artikelnummer	Anzahl	Beschreibung	Anmerkung
1	101011-08961	1	CYLINDER (CR)	
2	900162-05022	2	BOLT, H.S. 5*22	
3	101010-44332	1	GASKET, CYL. BASE	
4	100000-09563	1	PISTON KIT	
5 +	100011-09560	2	RING, PISTON	
6 +	100013-11520	1	PIN, PISTON	
7 +	100015-04630	2	CIRCLIP, PISTON PIN	
8 +	100014-11520	2	SPACER, PISTON PIN	
9	100100-44732	1	CRANKSHAFT ASSY	Sus. by A011-000100
9	A011-000100	1	CRANKSHAFT,ASM	Sr/Nr 009346 and before
9	A011-000160	1	CRANKSHAFT,ASM	Sr/Nr 009347 and after
10 +	100012-51230	1	BEARING, NEEDLE	Sus. by V553-000010
10 +	V553-000010	1	BEARING,NEEDLE 8	
11	100204-52130	1	CRANKCASE KIT	
12 +	100212-42030	2	OILSEAL	
13 +	100215-03930	2	PIN, DOWEL	
14 +	900810-36201	2	BEARING, BALL 6201	Sus. by 94035-36201
14 +	94035-36201	2	BEARING BALL	
15 +	100242-42030	1	GASKET, CRANKCASE	
16 +	900162-05028	3	BOLT, H.S. 5*28	

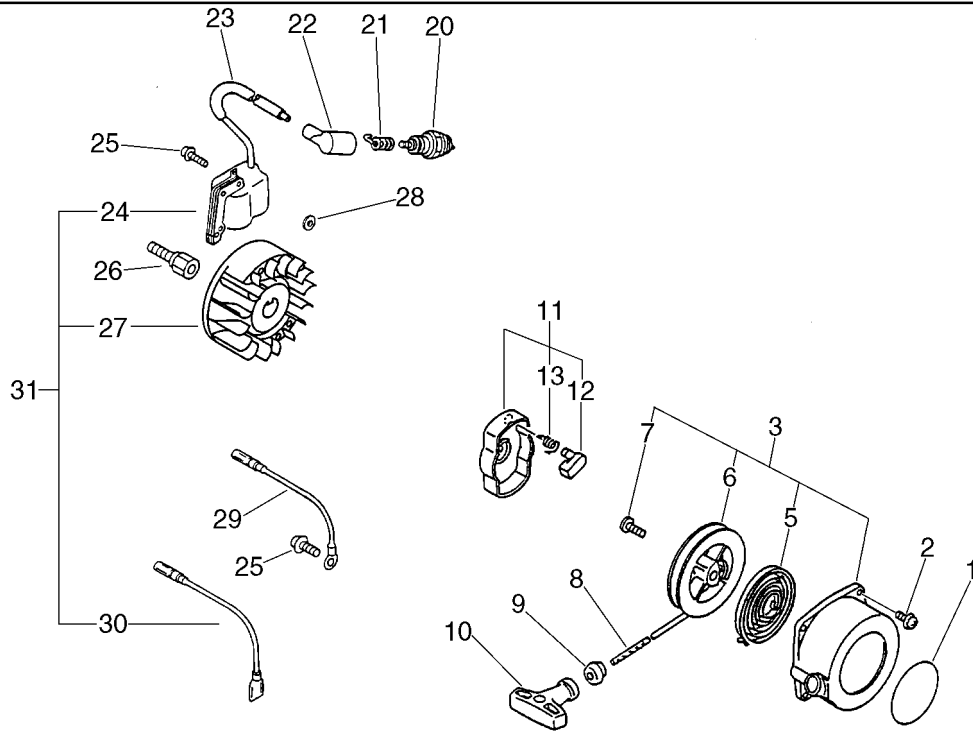


Bild	Artikelnummer	Anzahl	Beschreibung	Anmerkung
1	890118-49130	1	LABEL, ECHO	
2	900162-04016	4	BOLT, H.S. 4*16	Sus. by 900163-04016
2	900163-04016	4	BOLT, H.S. 4*16	
3	177200-42033	1	STARTER ASSY	
5	+ 177220-42030	1	SPRING, REWIND	
6	+ 177215-44430	1	DRUM, STARTER	
7	+ 177236-44330	1	SCREW	
8	+ 177226-10120	1	ROPE, STARTER	
9	+ 177227-42030	1	GUIDE, ROPE	
10	+ 177228-06530	1	GRIP, STARTER	
11	177202-44330	1	PAWL ASSY, STARTER	
11	A052-000060	1	PULLEY,ASM STARTER	Next Production
12	+ 177218-44330	1	PAWL, STARTER	
13	+ 177234-42030	1	SPRING, RETURN	
13	+ 177234-12220	1	SPRING, PAWL	Can be used on the A052-000060 on
20	159017-10230	1	PLUG, SPARK (RCJ-7Y)	
21	159011-03432	1	COIL, SPARK PLUG CAP	
22	159012-03433	1	CAP, SPARK PLUG	
23	156611-05060	1	TUBE	
24	158626-06361	1	COIL, IGNITION	Sr/Nr 005672 and before
25	900162-04022	2	BOLT, H.S. 4*22	
26	200011-05661	1	HUB, FAN	
27	158800-20560	1	ROTOR, MAGNETO	Sr/Nr 005672 and before
28	101531-54330	2	COLLAR	Sr/Nr 005672 and before
29	162021-20560	1	LEAD	
30	162010-20560	1	LEAD, GROUND	Sr/Nr 005672 and before
31	P021-001180	1	MAGNETO ASY	
24	+ A411-000020	1	COIL, IGNITION	Sr/Nr 005673 and after
27	+ A409-000000	1	ROTOR, MAGNETO	Sus. by A409-000100
27	+ A409-000100	1	ROTOR,MAGNETO	Sr/Nr 005673 and after
30	+ V485-000040	1	LEAD, GROUND	Sr/Nr 005673 and after

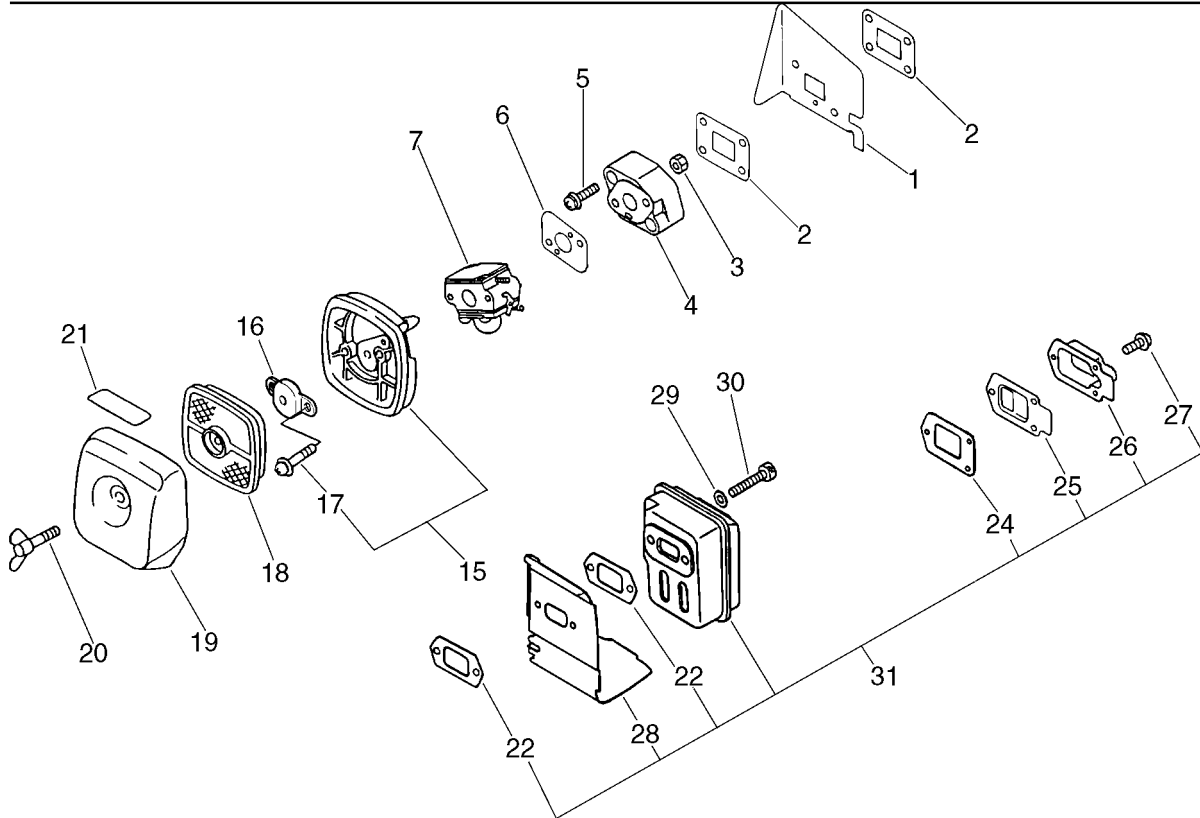


Bild	Artikelnummer	Anzahl	Beschreibung	Anmerkung
1	101514-20560	1	COVER, CYLINDER	
2	130010-09561	2	GASKET, INTAKE	
3	900500-00005	2	NUT 5	
4	130017-05062	1	INSULATOR, INTAKE	
5	900238-05022	2	SCREW 5*22	
6	130010-20560	1	GASKET, INTAKE	
7	125200-09560	1	CARBURETOR ASSY	Sus. by 125200-09561
7	125200-09561	1	CARBURETOR	
15	130307-06561	1	CASE, AIR CLEANER	Sus. by P021-002921
15	P021-002921	1	CASE, AIR CLEANER	
17	+ 900242-05065	2	SCREW 5*65	
16	129011-52730	1	PLATE, PREVENT	
18	130310-54130	1	FILTER, AIR	
19	130313-06563	1	LID, AIR CLEANER	
20	210417-52730	1	BOLT, WING	
21	890121-05360	1	LABEL, METERING	
31	145802-05063	1	MUFFLER ASSY (SAM)	
22	+ 145510-42031	2	GASKET, MUFFLER	Sus. by V104-000160
22	+ V104-000160	2	GASKET,EXHAUST	
24	+ 145866-42031	1	GASKET, MUFFLER LID	
25	+ 145876-42030	1	LID, MUFFLER (B)	
26	+ 145876-05061	1	PLATE	
27	+ 900242-04010	3	SCREW 4*10	
28	+ 145871-05760	1	COVER, MUFFLER	
29	900603-00005	2	WASHER 5	
30	900105-05055	2	BOLT, H.S. 5*55	

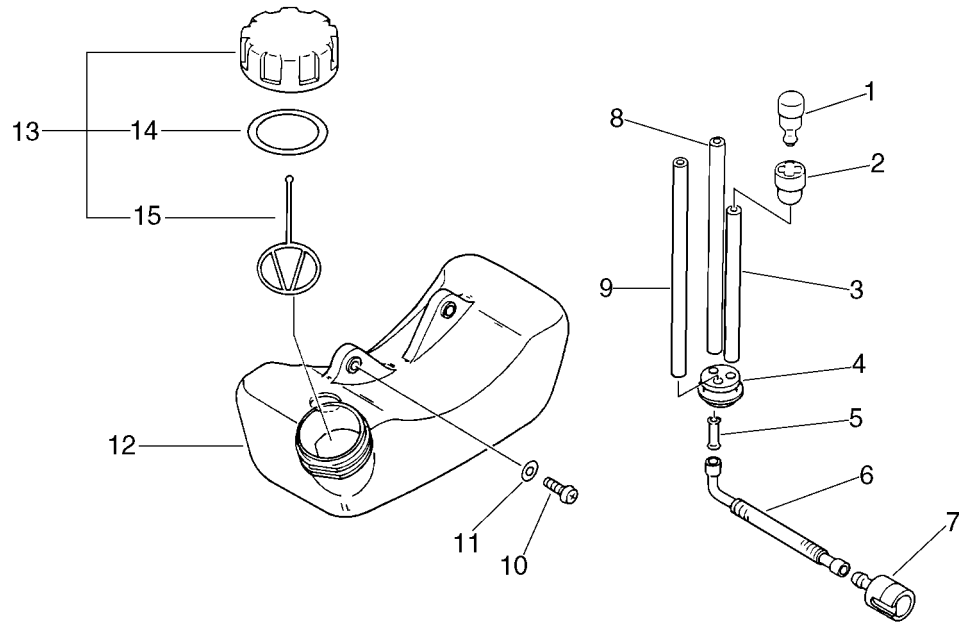


Bild	Artikelnummer	Anzahl	Beschreibung	Anmerkung
1	131300-56430	1	VALVE, CHECK	
2	131328-40630	1	COVER, VENT	
3	131312-39130	1	PIPE	
4	132115-46730	1	GROMMET, FUEL	
5	132011-03360	1	CONNECTOR, FUEL PIPE	
6	132012-12360	1	PIPE, FUEL	
7	131205-07320	1	STRAINER, FUEL	
8	437210-11131	1	PIPE 3*5* 90	
9	132010-56330	1	PIPE 3*6*90	
10	900238-05016	2	SCREW 5*16	
11	900603-00005	2	WASHER 5	
12	131005-20560	1	TANK, FUEL	
13	131004-55530	1	CAP ASSY, FUEL TANK	
14	+ 131016-55830	1	GASKET, FUEL CAP	
15	+ 131051-56030	1	CLIP, FUEL CAP	

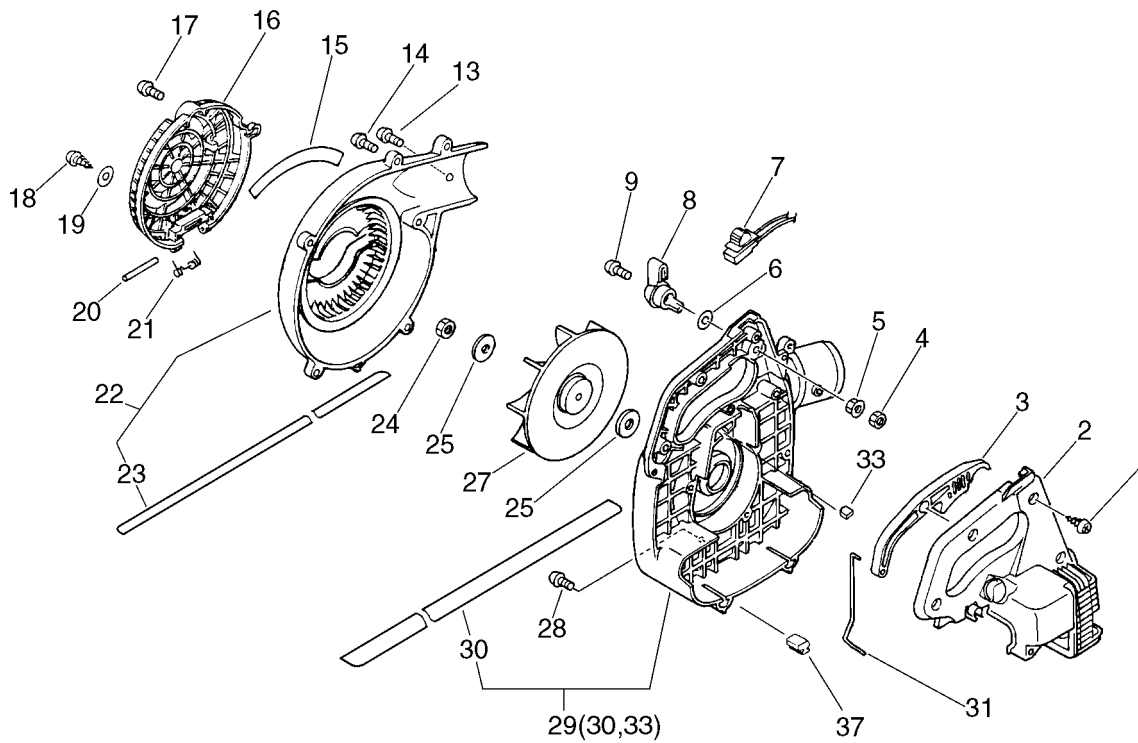


Bild	Artikelnummer	Anzahl	Beschreibung	Anmerkung	Bild	Artikelnummer	Anzahl	Beschreibung	Anmerkung
1	900253-05020	5	SCREW 5*20		19	900603-00005	1	WASHER 5	
2	104012-20560	1	COVER		20	200150-05060	1	SHAFT, GRID	
3	178010-20560	1	CONTROL, THROTTLE		21	200152-05060	1	SPRING, GRID	
4	900502-00005	1	NUT 5 (3N)		22	200109-20661	1	CASE, FAN	Sus. by 200109-20662
5	900516-00005	1	NUT, FRANGE 5		22	200109-20662	1	CASE, FAN	
6	900603-00005	1	WASHER 5		23 +	220120-20560	1	CUSHION	Sus. by 220120-20561
7	163401-20560	1	SWITCH, IGNITION	Sus. by 163401-20561	23 +	220120-20561	1	CUSHION	
7	163401-20561	1	SWITCH, IGNITION		24	900500-00008	1	NUT 8	
8	178054-20560	1	CONTROL, THROTTLE		25	100132-05660	2	WASHER	
9	900238-05025	1	SCREW 5*25		27	200010-06362	1	FAN	Sus. by 200010-06363
13	900256-05010	1	SCREW, TAPPING		27	200010-06363	1	FAN	
14	900253-05020	6	SCREW 5*20		28	900162-04022	4	BOLT, H.S. 4*22	
15	890034-09560	1	LABEL, MODEL		29	200108-20661	1	CASE, FAN	Sus. by P021-003700
16	200124-20660	1	GRID, FAN CASE	Sus. by 200124-20661	29	200108-20662	1	CASE, FAN	Sus. by P021-003700
16	200124-20661	1	GRID, FAN CASE		29	P021-003700	1	CASE, FAN(W/PLUG)	
17	900238-05022	1	SCREW 5*22		30 +	220120-20660	1	CUSHION	Sus. by 220120-20661
18	900253-05014	1	SCREW 5*14		30 +	220120-20661	1	CUSHION	
					33 +	101538-28230	1	GROMMET, PLUG	
					31	178011-20560	1	ROD, THROTTLE	
					37	351335-20560	2	CUSHION	

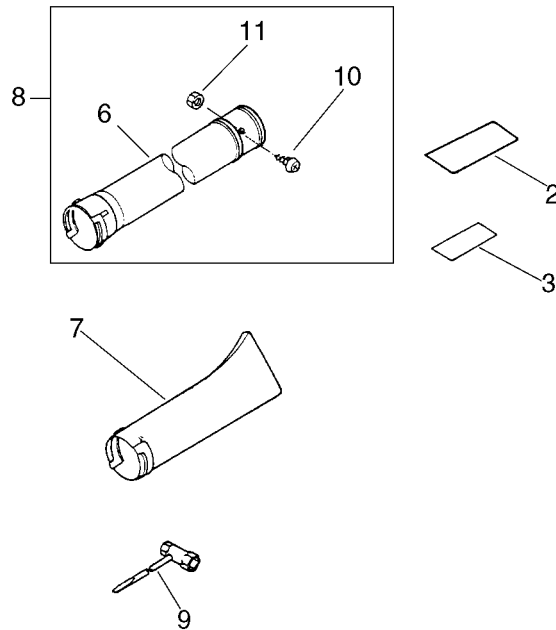


Bild	Artikelnummer	Anzahl	Beschreibung	Anmerkung
2	890160-09460	1	LABEL, CAUTION	Sus. by 890160-09461
2	890160-09461	1	LABEL, CAUTION	
3	890160-06360	1	LABEL, CAUTION	Sus. by 890160-06361
3	890160-06361	1	LABEL, CAUTION	
6	210015-05060	1	PIPE, STRAIGHT (BL)	Sus. by 210007-20660
8	210007-20660	1	PIPE, BLOWER	
10	+ 900238-05010	1	SCREW 5*10	
11	+ 900500-00005	1	NUT 5	
7	210014-20560	1	PIPE, BLOWER	Sus. by 210014-20660
7	210014-20660	1	PIPE, BLOWER	
9	895410-00430	1	WRENCH, W/S. DRIVER	

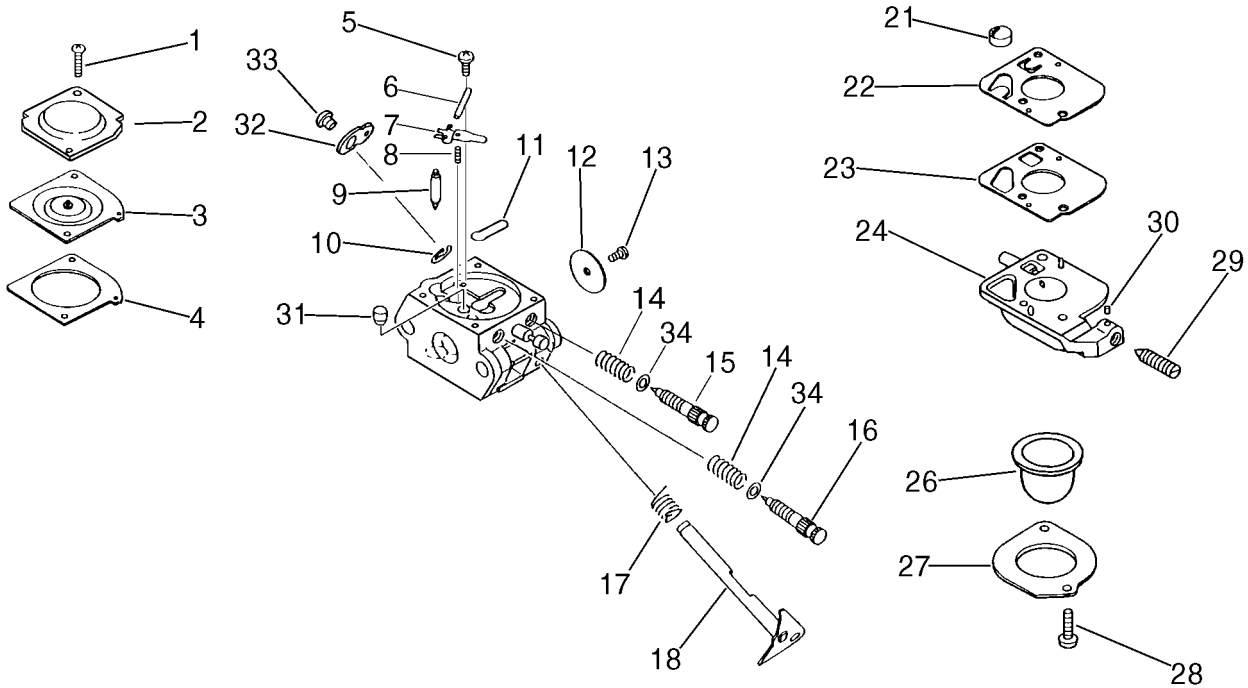


Bild	Artikelnummer	Anzahl	Beschreibung	Anmerkung
	125200-09560	1	CARBURETOR ASSY	Sus. by 125200-09561
	125200-09561	1	CARBURETOR	
1	+ 125344-52130	2	SCREW	
2	+ 125342-07360	1	COVER, DIAPHRAGM	
3	+ 125341-34530	1	DIAPHRAGM	
4	+ 125340-20560	1	GASKET, DIAPHRAGM	
5	+ 125339-42030	1	SCREW	
6	+ 125338-13930	1	PIN, METERING ARM	
7	+ 125323-42030	1	LEVER, METERING	
8	+ 125322-07260	1	SPRING, COIL	
9	+ 125337-06960	1	VALVE, INLET NEEDLE	
10	+ 125327-13930	1	CLIP	
11	+ 125345-15130	1	PLUG, WELCH	
12	+ 125316-20560	1	VALVE, THROTTLE	Sr/Nr 007111 and before
12	+ 125316-53130	1	VALVE, THROTTLE	Sr/Nr 007112 and after
13	+ 125314-13930	1	SCREW	
14	+ 125319-42030	2	SPRING, COIL	Sr/Nr 007111 and before
15	+ 125318-09560	1	NEEDLE, IDLE	Sr/Nr 007111 and before
15	+ P005-000450	1	SCREW ASY IDLE MIX.	Sr/Nr 007112 and after
16	+ 125320-20560	1	NEEDLE, HIGH SPEED	Sr/Nr 007111 and before
16	+ 125320-13310	1	NEEDLE, HIGH SPEED	Sr/Nr 007112 and after
17	+ 125313-08560	1	SPRING, THRT. RETURN	
18	+ 125317-06860	1	SHAFT, THROTTLE	
21	+ 125326-42030	1	STRAINER	
22	+ 125312-12820	1	DIAPHRAGM, FUEL PUMP	
23	+ 125325-13310	1	GASKET, PUMP	
24	+ 125383-13310	1	BASE, PRIMER	
26	+ 125381-08660	1	PUMP, PRIMING	
27	+ 125363-11610	1	RING	
28	+ 125310-11610	1	SCREW	
29	+ 125334-06860	1	SCREW, IDLE ADJUST	
30	+ 125378-13930	1	PIECE, FRICTION	
31	+ 125376-07360	1	NOZZLE, CHECK VALVE	
32	+ 125350-20560	1	LEVER, THROTTLE	
33	+ 125348-13930	1	SCREW	
34	+ 125353-20560	2	WASHER	Sr/Nr 007111 and before
	125303-20560	1	Membransatz	
	125300-20560	1	Reparatursatz	

Bild	Artikelnummer	Anzahl	Beschreibung	Anmerkung
	125303-20560	1	Membransatz	
+	125312-42030	1	DIAPHRAGM, FUEL PUMP	
+	125325-13310	1	GASKET, PUMP	
+	125341-34530	1	DIAPHRAGM	
+	125340-20560	1	GASKET, DIAPHRAGM	
	125300-20560	1	Reparatursatz	
+	125337-06960	1	VALVE, INLET NEEDLE	
+	125322-07260	1	SPRING, COIL	
+	125323-42030	1	LEVER, METERING	
+	125338-13930	1	PIN, METERING ARM	
+	125326-42030	1	STRAINER	
+	125345-15130	1	PLUG, WELCH	
+	125312-42030	1	DIAPHRAGM, FUEL PUMP	
+	125325-13310	1	GASKET, PUMP	
+	125341-34530	1	DIAPHRAGM	
+	125340-20560	1	GASKET, DIAPHRAGM	

ECHO®

Motorgeräte

die geh'n ran