

Stand 09.07.2002

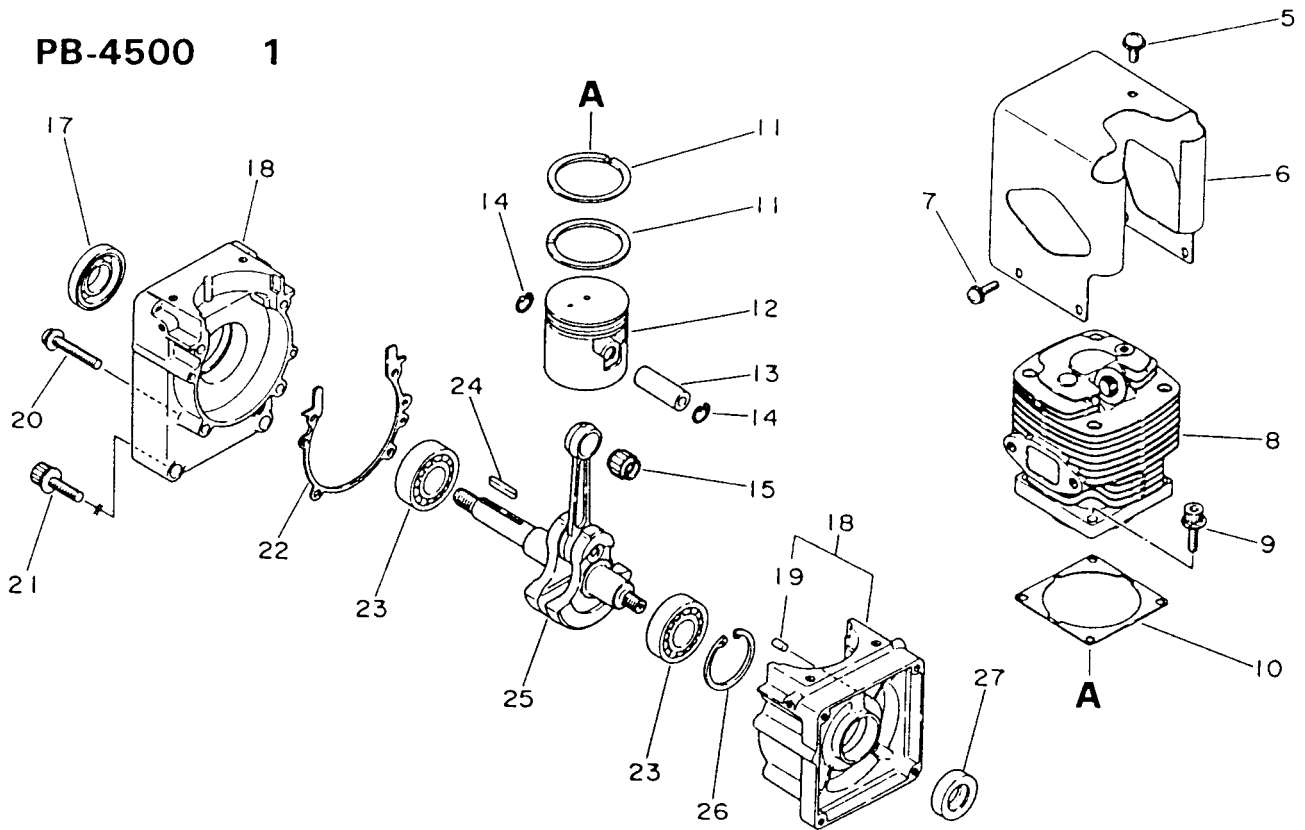
ERSATZTEILLISTE

ECHO Bläser
PB-4500 mit Zubehör

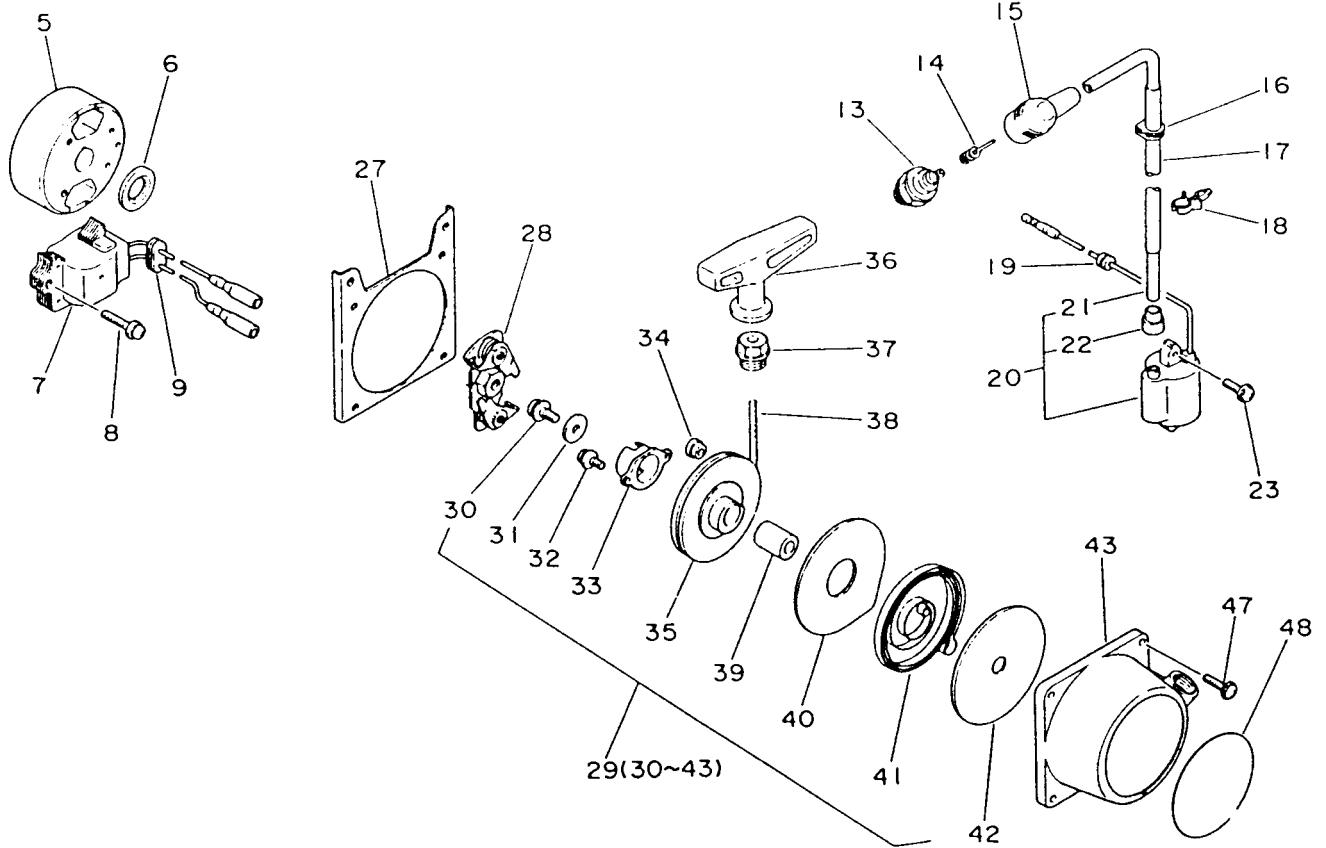
ECHO-Motorgeräte
Vertrieb Deutschland GmbH
Otto-Schott-Str. 7

72555 Metzingen

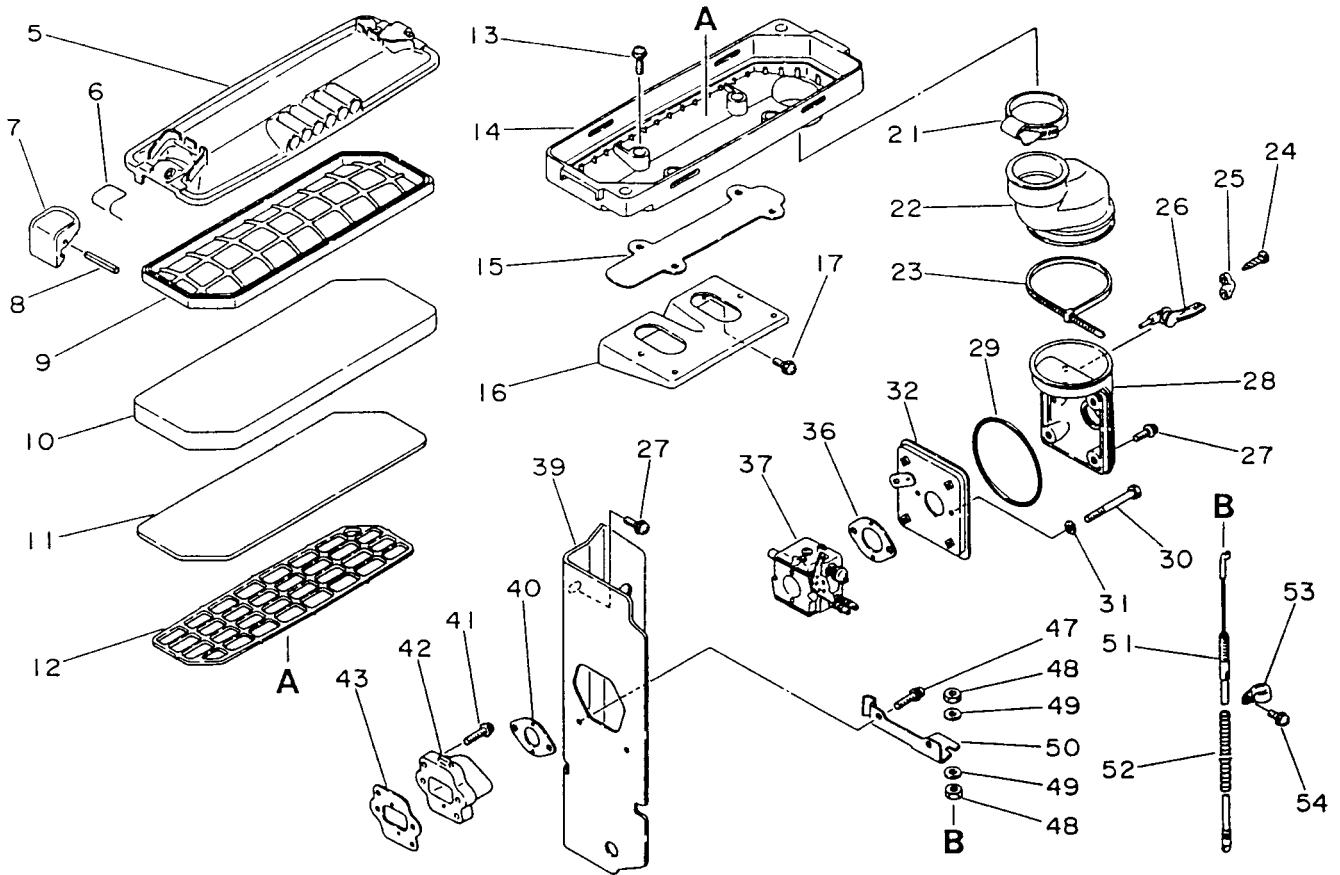
Telefon 07123-1091
Telefax 07123-2589
<http://www.echo-shop.de>
email: info@echo-shop.de

PB-4500 1


Key No.	Part Number	Q'ty	Description	Key No.	Part Number	Q'ty	Description
1- 5	900 242-0501 0	1	Screw 5x10	1- 21	900 162-0602 0	4	Bolt, H.S. 6x20
6	101 514-0426 0	1	Cover, cylinder (BL)	22	100 242-1072 0	1	Gasket, crankcase
7	900 242-0401 0	2	Screw 4x10	23	900 810-3620 2	2	Bearing, ball 6202
8	101 011-0426 0	1	Cylinder	24	900 325-0302 5	1	Key
9	900 162-0502 0	4	Bolt, H.S. 5x20	25	100 100-0426 0	1	Crankshaft assembly
10	101 010-1072 1	1	Gasket	26	900 702-0003 5	1	Circlip 35
11	100 011-1053 0	2	Ring, piston	27	100 213-0031 0	1	Oilseal
12	100 010-0321 0	1	Piston				
13	100 013-0041 0	1	Pin, piston				
14	100 015-0012 0	2	Circlip, piston pin				
15	100 012-1233 0	1	Bearing, needle				
17	100 213-0283 0	1	Oilseal				
18	100 200-0426 0	1	Crankcase set				
19	-100 215-0393 0	2	Pin, dowel				
20	900 242-0503 0	4	Screw 5x30				

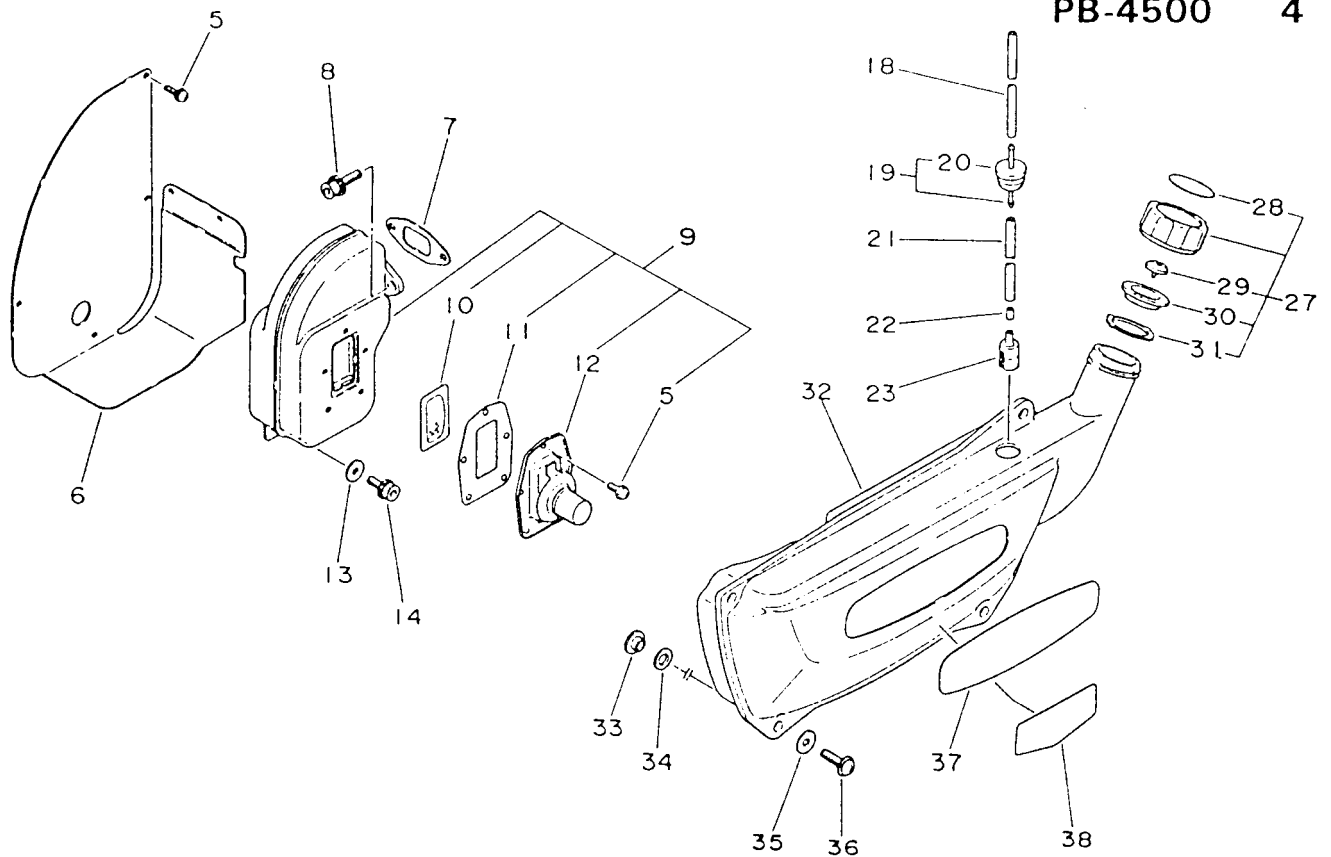


Key No.	Part Number	Q'ty	Description	Key No.	Part Number	Q'ty	Description
2-	5	1	Flywheel	2-	31	1	Washer
	6	1	Washer		32	2	Screw 4x8
	7	1	C.D. ignition module		33	1	Catcher, pawl
	8	2	Screw 4x20		34	1	Clip, starter rope
	9	1	Grommet		35	1	Drum, starter
	13	1	Plug, spark		36	1	Grip, starter
	14	1	Coil, spark plug cap		37	1	Guide, rope
	15	1	Cap, spark plug		38	1	Rope, starter
	16	1	Bushing		39	1	Bushing
	17	1	Tube		40	1	Plate, starter
	18	1	Clip		41	1	Spring, rewind
	19	1	Bushing		42	1	Plate, starter
	20	1	Coil, ignition assembly		43	1	Case, starter
	21	1	Cord, high tension		47	4	Screw 4x16
	22	1	Cover		48	1	Label, ECHO
	23	2	Screw 4x14				
	27	1	Bracket				
	28	1	Pawl assembly, starter				
	29	1	Starter assembly				
	30	1	Screw 5x10				

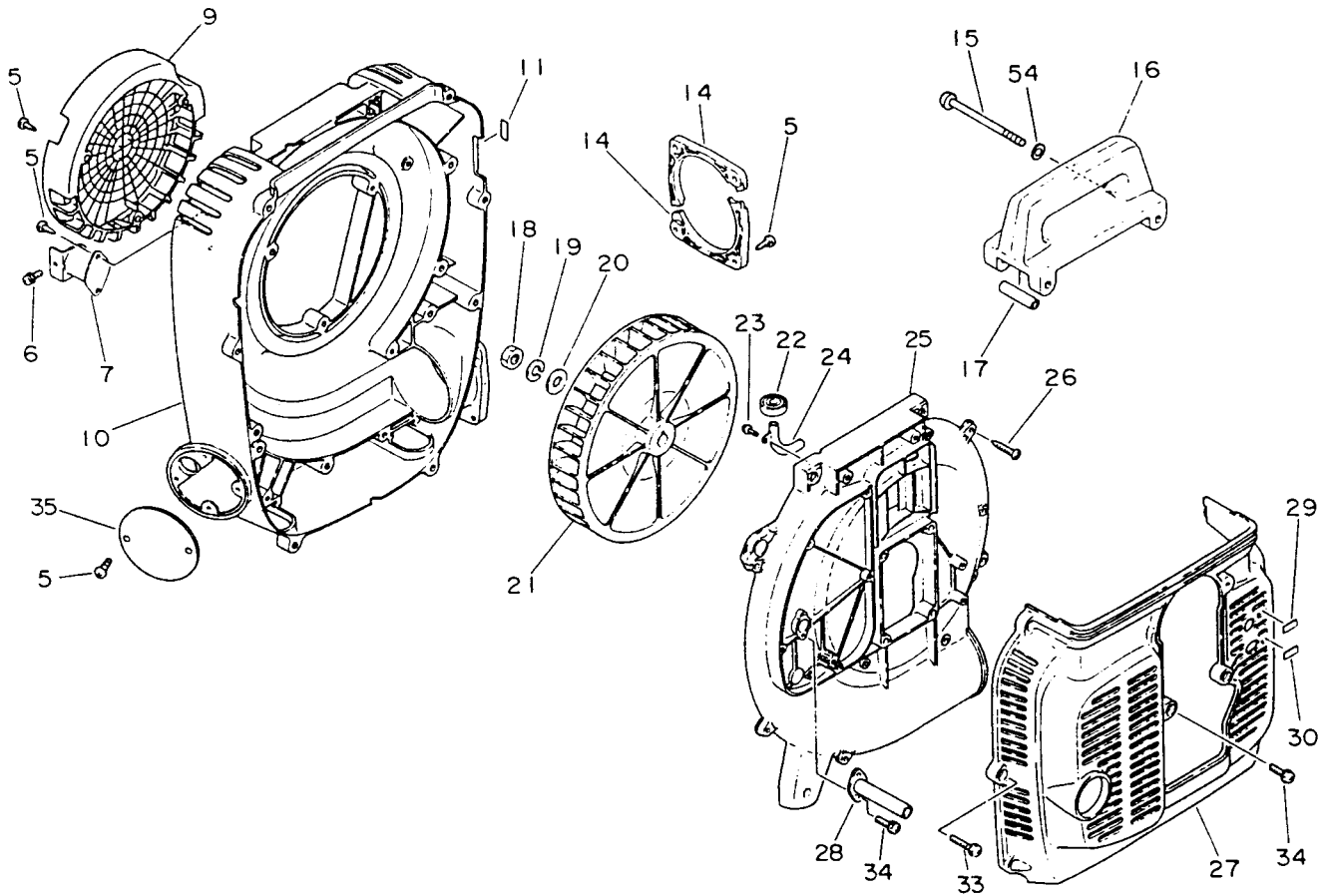
PB-4500 3


Key No.	Part Number	Q'ty	Description	Key No.	Part Number	Q'ty	Description
3- 5	130 302-0426 0	1	Cover ass'y, air cleaner	3- 32	130 405-0426 0	1	Bracket, carburetor
6	-130 364-0426 1	2	Spring, hook	36	130 016-0373 0	1	Gasket, carburetor
7	-130 341-0426 0	2	Hook	37	123 000-0426 1	1	Carburetor
8	-900 340-3002 5	2	Pin, spring 3x25	39	129 029-0426 1	1	Insulator
55	-890 187-0426 0	1	Label, cleaner	40	130 016-0643 0	1	Gasket, carburetor
9	130 311-0426 0	1	Grid, air cleaner	41	900 242-0502 5	2	Screw 5x25
10	130 310-0426 0	1	Filter, air	42	130 007-0346 0	1	Insulator
11	130 317-0426 0	1	Filter, air	43	130 010-0346 1	1	Gasket
12	130 319-0426 0	1	Grid, air cleaner	47	900 242-0401 2	2	Screw 4x12
13	900 242-0401 2	4	Screw 4x12	48	900 502-0000 6	2	Nut 6
14	130 314-0426 0	1	Cover, air cleaner	49	900 600-0000 6	2	Washer 6
15	130 355-0426 1	1	Plate	50	178 111-0756 0	1	Bracket
16	130 410-0426 0	1	Bracket, air cleaner	51	178 001-0756 0	1	Wire, throttle
17	900 242-0501 4	2	Screw 5x14	52	156 111-0756 0	1	Tube
21	130 715-0426 0	1	Band (S)	53	159 116-2123 1	1	Clamp
22	130 714-0426 0	1	Adapter, intake	54	900 242-0501 0	1	Screw 5x10
23	130 713-0426 0	1	Band (L)				
24	900 252-0401 6	2	Screw 4x16				
25	178 610-0426 0	1	Holder				
26	178 505-0426 0	1	Rod, choke				
27	900 242-0401 0	4	Screw 4x10				
28	130 710-0426 0	1	Pipe				
29	130 320-1075 0	1	Gasket, air cleaner				
30	130 021-0076 1	2	Bolt				
31	900 600-0000 5	2	Washer 5				

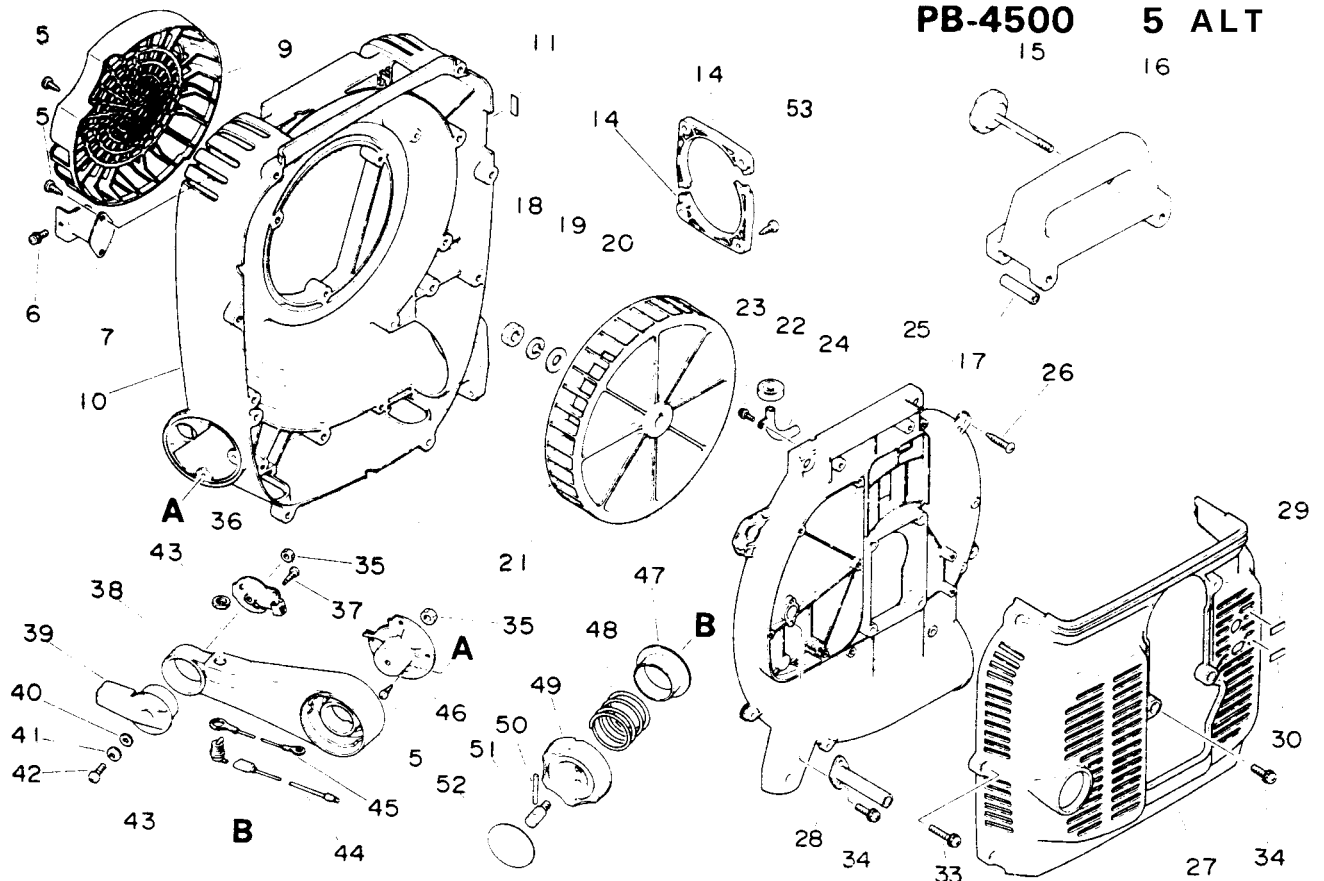
PB-4500 4



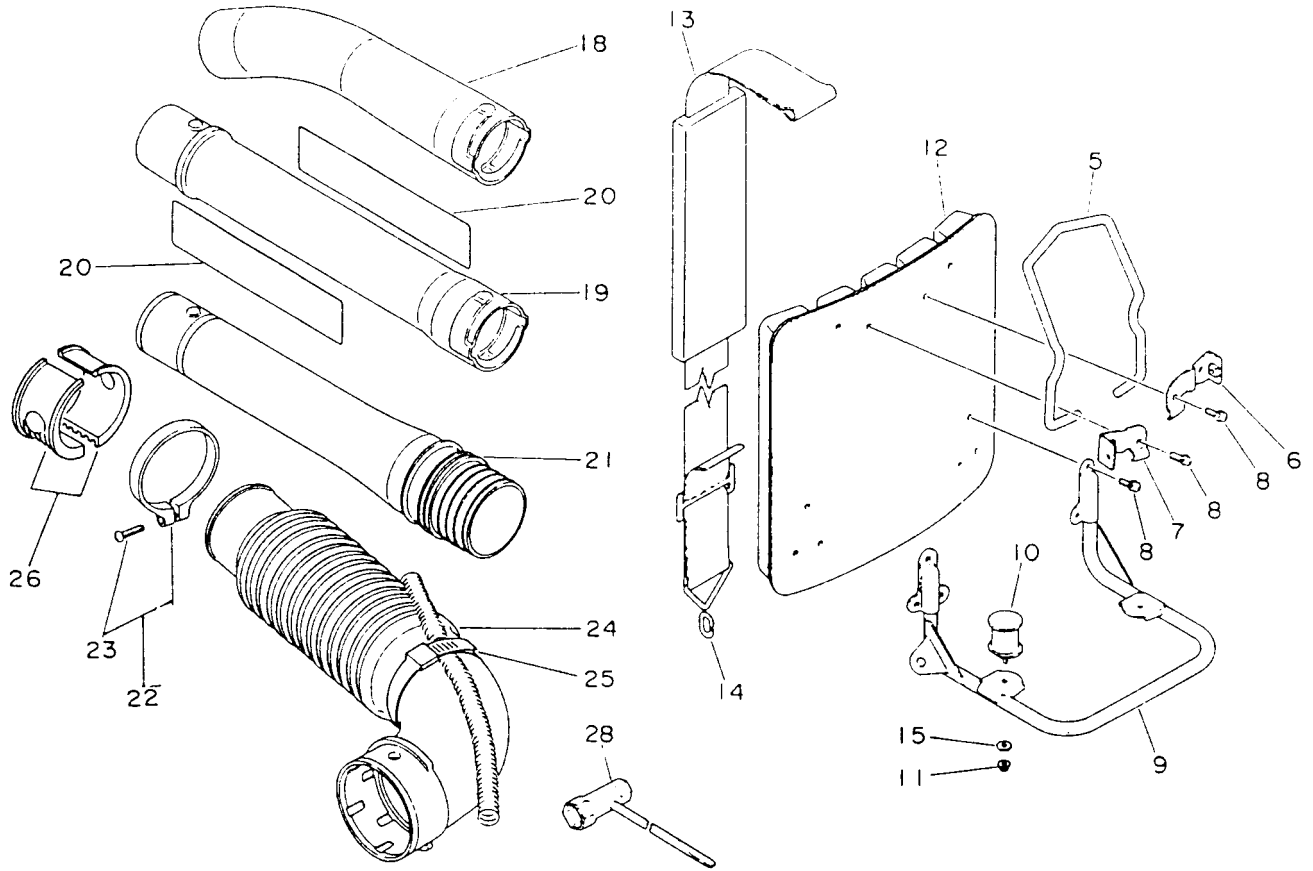
Key No.	Part Number	Q'ty	Description	Key No.	Part Number	Q'ty	Description		
4-	5	900 242-0401 0	5	Screw 4x10	4-	21	132 010-0426 0	1	Pipe, fuel
	6	100 270-0426 0	1	Insulator		22	132 001-1503 0	1	Valve, check
	9	145 802-0426 0	1	Muffler assembly		23	131 205-0732 0	1	Strainer, fuel
	5	-900 242-0401 0	5	Screw 4x10		27	131 600-0336 0	1	Cap ass'y, fuel tank
	7	-145 510-1072 0	1	Gasket		28	-890 154-1273 0	1	Label, fuel mix
	8	-900 162-0602 0	2	Bolt, H.S. 6x20		29	-131 314-0632 0	1	Valve, check
	10	-145 862-0426 0	1	Screen, muffler		30	-131 015-2133 0	1	Holder, check valve
	11	-145 866-0426 0	1	Gasket		31	-131 016-2123 0	1	Gasket, F. tanf cap
	12	-145 876-0426 0	1	Bracket, muffler		32	131 010-0426 0	1	Tank, fuel
	13	177 214-0283 0	1	Washer		33	131 916-0346 0	4	Spacer
	14	900 162-0501 4	1	Bolt, H.S. 5x14		34	131 925-0231 0	4	Cushion
	18	132 012-0426 0	1	Pipe, fuel		35	300 217-0061 0	4	Washer
	19	132 005-0336 0	1	Connector, fuel pipe		36	900 242-0502 0	4	Screw 5x20
	20	-132 115-2133 0	1	Grommet		37	890 118-0346 0	1	Label, ECHO
						38	890 115-0426 0	1	Label, model

PB-4500 5


Key No.	Part Number	Q'ty	Description	Key No.	Part Number	Q'ty	Description
5-	5	13	Screw 5x12	5-	35	1	Plate
	6	2	Screw 5x12		54	2	Washer
	7	2	Cushion				
	9	1	Grid, fan case				
	10	1	Case, fan				
	11	1	Label, choke				
	14	2	Bracket				
	15	2	Screw				
	16	1	Grip				
	17	2	Cushion				
	18	1	Nut 10				
	19	1	Washer, spring 10				
	20	1	Washer 10				
	21	1	Fan				
	22	1	Seal				
	23	1	Screw 4x10				
	24	1	Pipe, intake				
	25	1	Case, fan				
	26	8	Screw 5x25				
	27	1	Cover, engine				
	28	1	Duct, air				
	29	1	Label, idle				
	30	1	Label, caution				
	33	6	Screw 5x20				
	34	2	Screw 5x12				

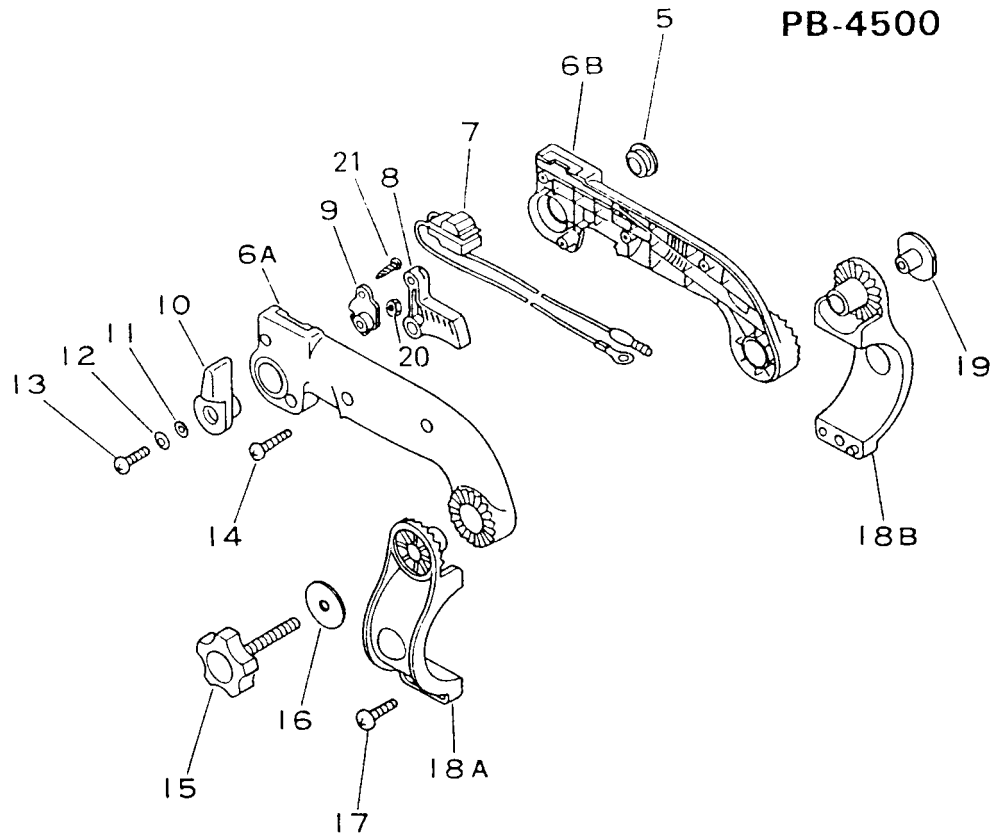


Key No.	Part Number	Q'ty	Description	Key No.	Part Number	Q'ty	Description
5	900 246-0501 2	11	Screw 5x12	5-	36	1	Bracket, throttle
6	900 242-0501 2	2	Screw 5x12	37	900 245-0401 0	1	Screw 4x10
7	200 907-0346 0	2	Cushion	38	178 122-0346 0	1	Bracket, throttle lever
9	200 124-0426 0	1	Grid, fan case	39	178 010-0346 0	1	Control, throttle
10	200 105-0426 0	1	Case, fan	40	900 603-0000 6	1	Washer 6
11	890 121-0426 0	1	Label, choke	41	178 129-0066 0	1	Washer
14	210 022-0426 0	2	Bracket	42	900 220-0602 0	1	Screw 6x20
15	305 812-0346 0	2	Bolt	43	163 400-0346 0	1	Switch, ignition
16	305 805-0346 0	1	Grip	44	162 021-0346 0	1	Lead
17	305 814-0346 0	2	Cushion	45	162 010-0346 0	1	Lead, ground
18	900 500-0001 0	1	Nut 10	46	178 134-0346 0	1	Plate
19	900 605-0001 0	1	Washer, spring 10	47	178 135-0346 0	1	Seat, spring
20	900 600-0001 0	1	Washer 10	48	178 136-0346 0	1	Spring
21	200 005-0426 0	1	Fan	49	178 138-0346 0	1	Knob
22	363 030-0346 0	1	Seal	50	900 330-4029 8	1	Pin
23	900 242-0401 0	1	Screw 4x10	51	178 137-0346 0	1	Axle
24	363 015-0346 0	1	Pipe, intake	52	890 186-0346 0	1	Label
25	200 111-0426 1	1	Case, fan	53	900 246-0501 4	4	Screw 5x12
26	900 249-0502 5	8	Screw 5x25				
27	104 012-0426 0	1	Cover, engine				
28	145 174-0426 0	1	Duct, air				
29	890 185-0346 0	1	Label, idle				
30	890 158-0346 0	1	Label, caution				
33	900 242-0502 0	6	Screw 5x20				
34	900 242-0501 5	4	Screw 5x15				
35	900 500-0000 6	2	Nut 6				

PB-4500 6


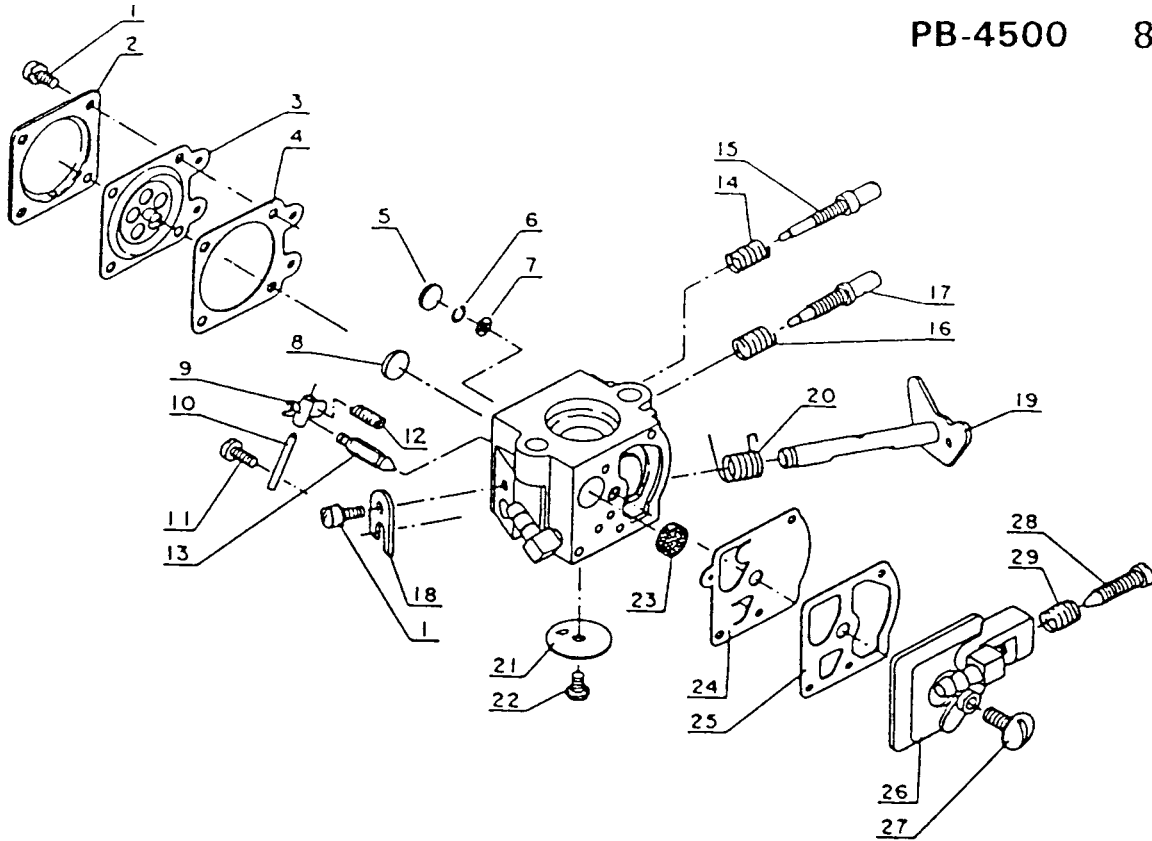
Key No.	Part Number	Q'ty	Description	Key No.	Part Number	Q'ty	Description	
6-	5	1	Hanger	15	145 642-0076 0	2	Washer	
	6	1	Bracket, hanger	18	210 023-0346 0	1	Pipe, curved	
	7	1	Bracket, hanger	19	210 015-0346 0	1	Pipe, straight	
	8	10	Screw 5x10	20	890 118-0426 0	2	Label, ECHO	
	9	1	Stand	21	212 005-0756 0	1	Pipe, swivel	
	10	200 916-0111 0	2	Cushion (L)	22	210 400-0426 0	1	Clamp w/screw
	11	900 515-0000 6	2	Nut, flange 6	23	-900 220-0502 0	1	Scscrew 5x20
	12	300 105-0426 0	1	Cushion, knapsack	24	210 006-0426 0	1	Pipe, flexible
	13	300 300-0076 1	2	Harness, knapsack	25	178 121-0756 0	1	Band
	14	300 319-0161 0	2	Ring, harness	26	210 019-0756 0	2	Spdcer
					28	895 410-0393 0	1	Wrench, w/s. driver

PB-4500 7



Key No.	Part Number	Q'ty	Description	Key No.	Part Number	Q'ty	Desc
7-	5	1	Plug				
	6A	1	Handle				
	B	1	Handle				
	7	1	Switch, ignition				
	8	1	Control, throttle				
	9	1	Support				
	10	1	Lever, throlle				
	11	1	Washer				
	12	1	Washer, spring				
	13	1	Screw				
	14	4	Screw				
	15	1	Bolt				
	16	1	Washer				
	17	1	Screw				
	18A	1	Bracket, handle				
	B	1	Bracket, handle				
	19	6	Nut				
	20	1	Nut,6				
	21	2	Screw				

PB-4500 8

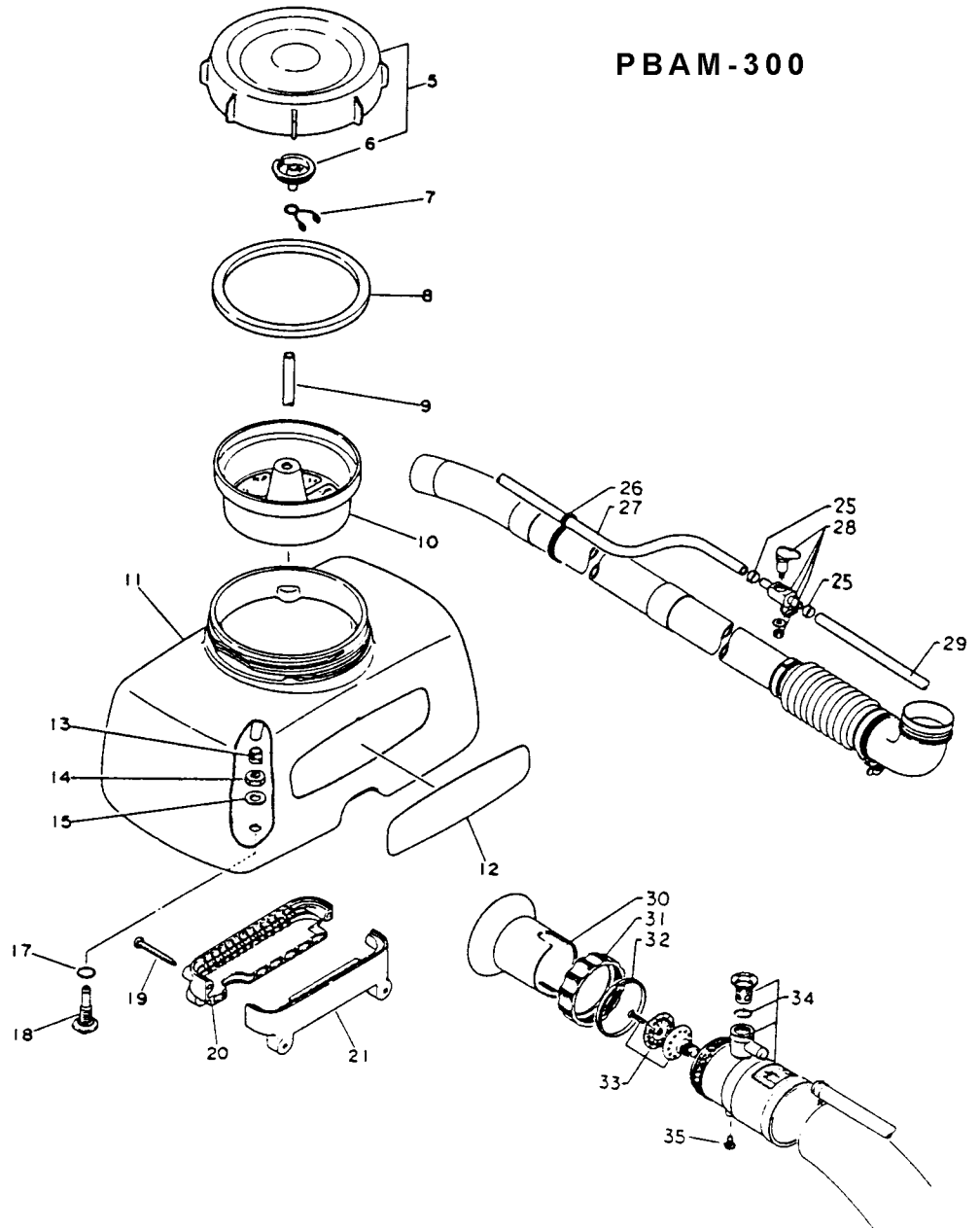


Key No.	Part Number	Q'ty	Description	Key No.	Part Number	Q'ty	Description
8-	123 000-0426 1	1	Carburetor assembly	7- 15	-123 120-0426 0	1	Needle, high speed
1	-123 130-0296 0	5	Screw	16	-123 121-2213 0	1	Spring, needle
2	-123 142-0393 0	1	Cover, M. diaphragm	17	-123 118-0426 0	1	Needle, idle
3	-123 141-0393 0	1	Diaphragm, metering	18	-123 127-0393 0	1	Clip, throttle shaft
4	-123 140-0393 0	1	Gasket, M. diaphragm	19	-123 117-0346 0	1	Shaft, throttle
5	-123 145-1633 0	1	Plug, welch	20	-123 113-0393 0	1	Spring, thrt. return
6	-123 169-1063 0	1	Ring, retaining	21	-123 116-0393 0	1	Valve, throttle
7	-123 168-1063 1	1	Screen	22	-123 114-0393 0	1	Screw
8	-123 146-1063 0	1	Plug, welch	23	-123 126-1063 1	1	Screen, inlet
9	-123 123-0393 0	1	Lever, metering	24	-123 112-1503 0	1	Diaphragm, fuel pump
10	-123 138-0393 0	1	Pin, metering lever	25	-123 125-1503 0	1	Gasket, fuel pump
11	-123 139-0393 0	1	Screw, M. lever pin	26	-123 124-0296 0	1	Cover, fuel pump
12	-123 122-1113 0	1	Spring, meter. lever	27	-123 110-0393 0	1	Screw, pump cover
13	-123 137-0393 0	1	Valve, inlet needle	28	-123 134-0426 0	1	Screw, idle adjust
14	-123 119-2213 0	1	Spring, needle	29	-123 133-0426 0	1	Spring, idle adjust

Membransatz 16-123101-10530

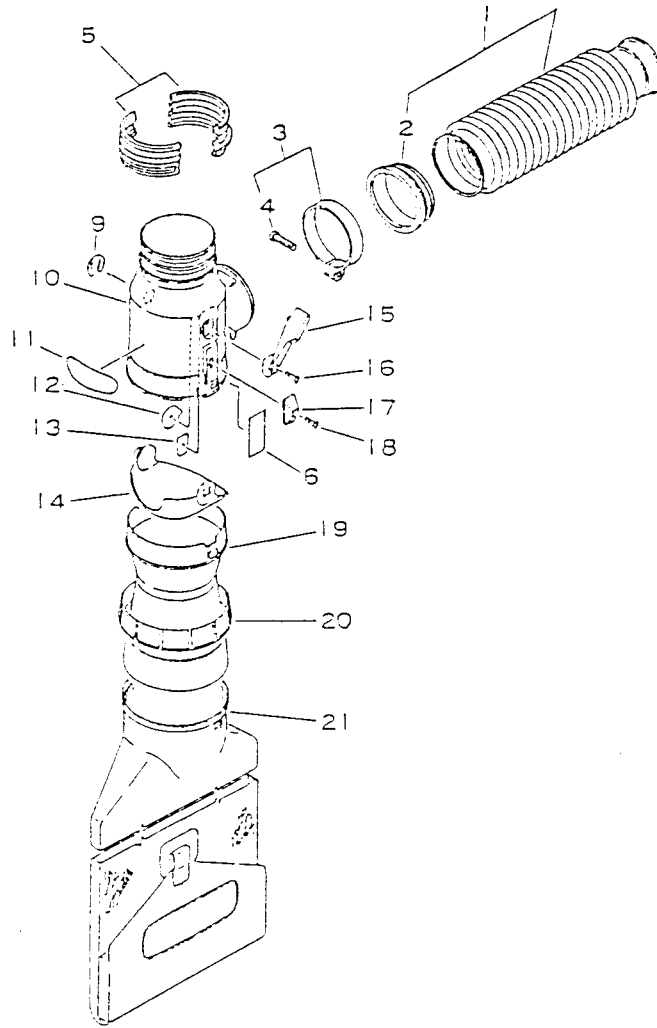
Reparatursatz: 16-123100-04260

PBAM-300



Key No.	Part Number	Q'ty	Description	Key No.	Part Number	Q'ty	Description
7-	5	1	Cap, chemical tank	7-	20	1	Holder, tank
	6	1	Cap, inside	21	250 908-0346 0	1	Holder, tank
	7	1	Clip	25	357 023-0111 0	4	Clip 14
	8	1	Gasket, chmcl. tank	26	357 911-0011 0	1	Clip, pipe
	9	1	Pipe (inner)	27	357 011-0346 0	1	Pipe
	10	1	Filtar, chmcl. tank	28	358 100-0111 0	1	Valve, pipe
	11	1	Tank, chemical	29	357 012-0346 0	1	Pipe
	12	1	Label, ECHO		212 500-0111 1	1	Nozzle Ass'y. mist
	13	1	Clip 11	30	-212 515-0111 0	1	Collar, nozzle
	14	1	Nut, connector	31	-212 514-0111 0	1	Nut, misting nozzle
	15	1	Washer	32	-212 513-0111 0	1	Ring, mist. nozzle
	17	1	O-ring 16	33	-222 000-0111 0	1	Nozzle
	18	1	Connector, pipe	34	-212 501-0111 1	1	Head, nozzle
	19	2	Screw 5x50	35	-900 246-0501 2	1	Screw, mist. nozzle

PBAV-4500



KEY	LV	PART NUMBER	QTY	DESCRIPTION	APPLICATION	RE
1		210012-01710	1	PIPE, FLX. W/GASKET		
2	+	210032-01610	1	PACKING, FLX. PIPE		
3		210400-01610	1	CLAMP W/SCREW		
4	+	900220-05030	1	SCREW 5*30		
5		210030-08260	2	COUPLING, SUCTION		
6		890175-01961	1	LABEL		
9		900700-00008	1	E-RING 8		
10		215011-01961	1	PIPE, VENTURI		
11		890138-44330	1	LABEL, ECHO		
12		215112-01860	1	WASHER 5		
13		215016-01860	1	STOPPER		
14		215110-01961	1	SHUTTER		
15		215111-01960	1	LEVER		
16		900220-05014	1	SCREW 5*14		
17		215015-01960	1	KNOB, STOPPER		
18		900220-04014	1	SCREW 4*14		
19		215012-01961	1	CONNECTOR		
20		215013-01961	1	RING		
21		880805-01960	1	BAG, DUST		



ECHO®

Motorgeräte

die geh'n ran