

ERSATZTEILLISTE

ECHO Freischneider
CLS-4600
CLS-4610

ECHO-Motorgeräte
Vertrieb Deutschland GmbH
Otto-Schott-Str. 7

72555 Metzingen

Telefon 07123-1091
Telefax 07123-2589
<http://www.echo-shop.de>
email: info@echo-shop.de

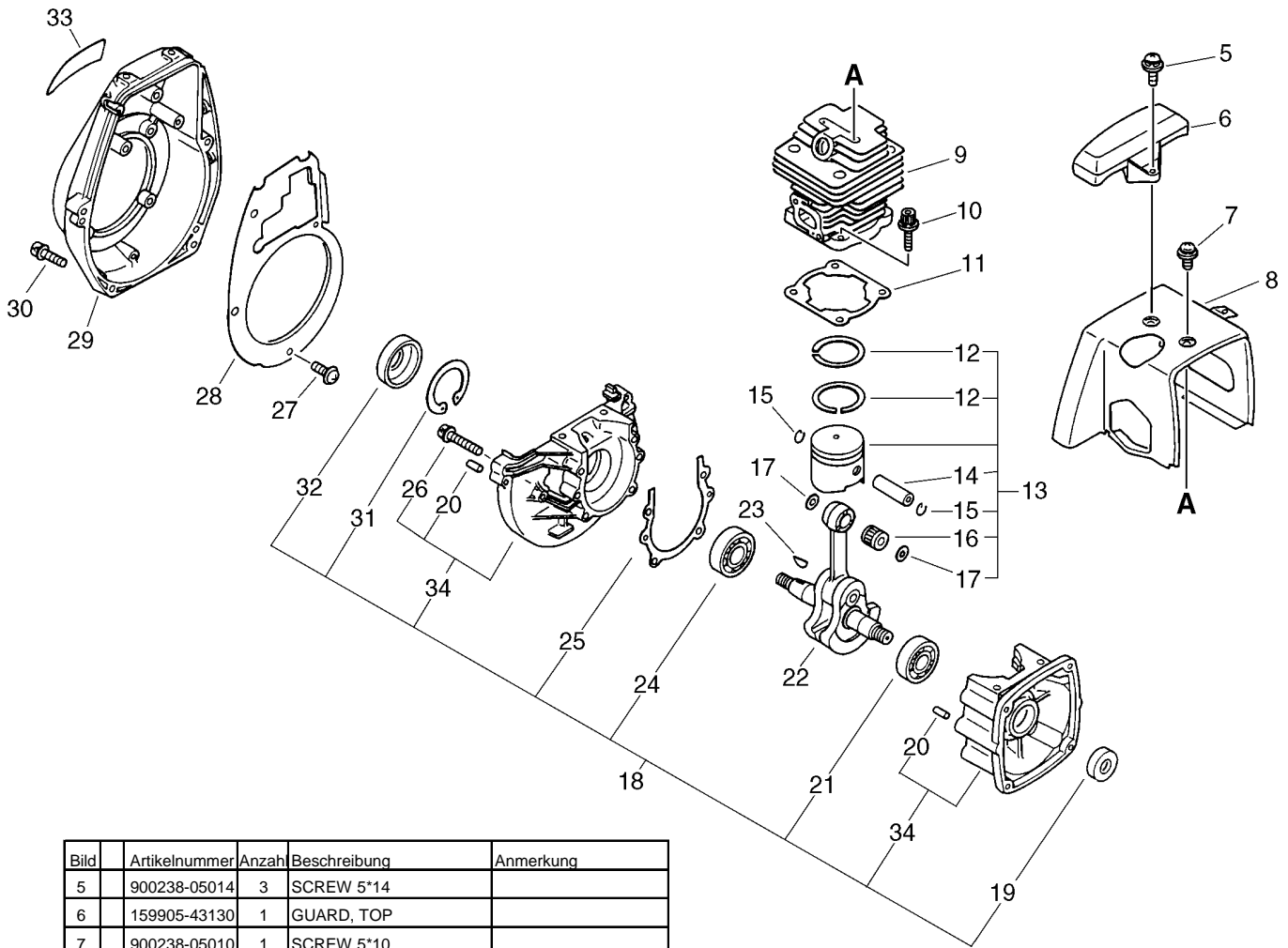


Bild	Artikelnummer	Anzahl	Beschreibung	Anmerkung
5	900238-05014	3	SCREW 5*14	
6	159905-43130	1	GUARD, TOP	
7	900238-05010	1	SCREW 5*10	
8	101514-42230	1	COVER, CYLINDER (BS)	
9	101011-47530	1	CYLINDER	
10	900162-05020	4	BOLT, H.S. 5*20	
11	101010-42231	1	GASKET, CYL. BASE	
13	100000-43230	1	PISTON KIT	Sus. by 100000-43231
13	100000-43231	1	PISTON KIT	
12	+ 100011-43230	2	RING, PISTON	
14	+ 100013-00410	1	PIN, PISTON	
15	+ 100015-00120	2	CIRCLIP, PISTON PIN	
16	+ 100012-12331	1	BEARING, NEEDLE	
17	+ 100014-17330	2	SPACER, PISTON PIN	Sus. by V307-000050
17	+ V307-000050	2	WASHER,CIRCULAR 10	
18	100204-42230	1	CRANKCASE KIT	
19	+ 100212-27930	1	OILSEAL	
21	+ 900810-36201	1	BEARING, BALL 6201	Sus. by 94035-36201
21	+ 94035-36201	1	BEARING, BALL	
24	+ 900810-36202	1	BEARING, BALL 6202	
25	+ 100242-42230	1	GASKET, CRANKCASE	
31	+ 900702-00035	1	CIRCLIP 35	
32	+ 100213-02830	1	OILSEAL	
34	+ 100200-42230	1	CRANKCASE SET	
20	++ 100215-02830	4	PIN, DOWEL	
26	++ 900162-05030	4	BOLT, H.S. 5*30	
22	100100-43130	1	CRANKSHAFT ASSY	
23	100142-12330	1	KEY, WOODRUFF	
27	900238-04010	4	SCREW 4*10	
28	101534-42230	1	PLATE, GUIDE	
29	101511-42230	1	COVER, FAN (BS)	
30	900162-05025	4	BOLT, H.S. 5*25	
33	890115-51530	1	LABEL, MODEL	

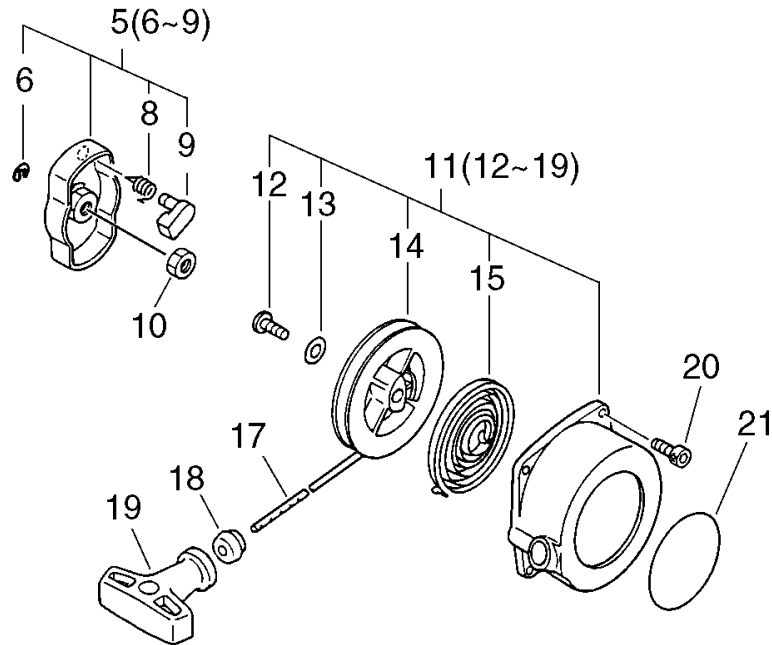


Bild		Artikelnummer	Anzahl	Beschreibung	Anmerkung
5		177202-41030	1	PAWL ASSY, STARTER	
6	+	900700-00004	1	E-RING 4	
8	+	177234-40630	1	SPRING, RETURN	
9	+	177218-40630	1	PAWL, STARTER	
10		900502-00008	1	NUT 8 (3N)	
11		177200-43130	1	STARTER ASSY (BS)	Sus. by A051-000170
11		A051-000170	1	STARTER, RECOIL	
12	+	177236-40630	1	SCREW	
13	+	177214-41030	1	WASHER	
14	+	177215-43130	1	DRUM, STARTER	
15	+	177220-40630	1	SPRING, REWIND	
17	+	177226-01110	1	ROPE, STARTER	
18	+	177227-05530	1	GUIDE, ROPE	Nur mit 177200-43130
18	+	177227-42030	1	GUIDE, ROPE	Nur mit A051-000170
19	+	177228-11120	1	GRIP, STARTER	
20		900162-04020	4	BOLT, H.S. 4*20	
21		890118-49330	1	LABEL, ECHO	

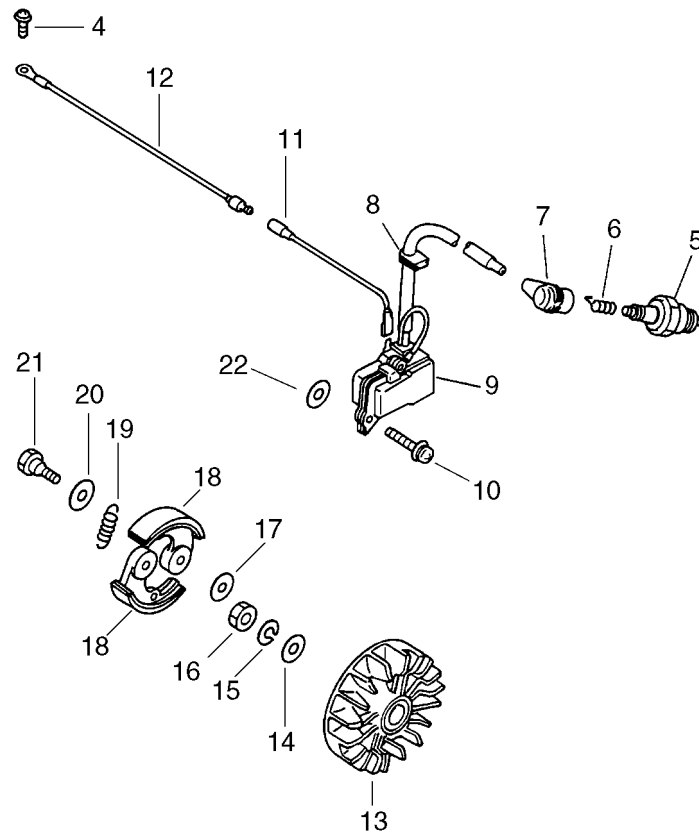


Bild	Artikelnummer	Anzahl	Beschreibung	Anmerkung
4	900238-05010	1	SCREW 5*10	
5	159017-10230	1	PLUG, SPARK (RCJ-7Y)	
6	159011-03432	1	COIL, SPARK PLUG CAP	
7	159012-03433	1	CAP, SPARK PLUG	
8	156112-40630	1	GROMMET	
9	156626-42230	1	COIL, IGNITION	
9	156601-12920	1	COIL,IGNITION	
10	900238-05020	2	SCREW 5*20	
11	162021-42230	1	LEAD	
12	156635-43130	1	LEAD, GROUND	
13	156801-42230	1	FLYWHEEL	
14	900600-00010	1	WASHER 10	
15	900605-00010	1	WASHER, SPRING 10	
16	900503-00010	1	NUT 10 (3N *1.25)	
17	175049-03920	2	WASHER	
18	175009-42231	2	SHOE, CLUTCH	
19	175018-42230	1	SPRING, CLUTCH	
20	175048-03920	2	WASHER	
21	175046-06230	2	BOLT, CLUTCH	
22	900600-00006	2	WASHER 6	

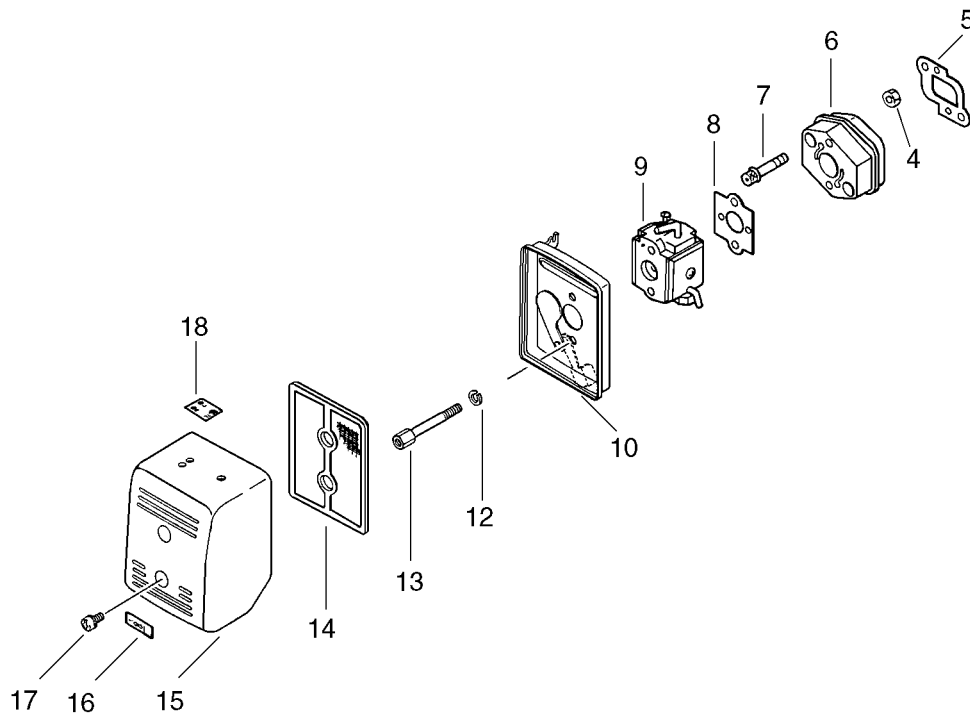


Bild	Artikelnummer	Anzahl	Beschreibung	Anmerkung
4	900500-00005	2	NUT 5	
5	130016-42231	1	GASKET, INTAKE	
6	130017-43130	1	INSULATOR	
7	900162-05025	2	BOLT, H.S. 5*25	
8	130016-06231	1	GASKET	Sus. by 130016-06232
8	130016-06232	1	GASKET, INTAKE	
9	123000-47532	1	CARBURETOR ASSY	
10	130307-47533	1	CASE, AIR CLEANER	
12	900605-00005	2	WASHER, SPRING 5	
13	130021-51530	2	BOLT, 5	
14	130310-06230	1	FILTER, AIR	
15	130313-06230	1	COVER, AIR CLEANER	
16	890121-21430	1	LABEL, CHOKE	
17	900238-04008	2	SCREW 4*8	
18	890169-47530	1	LABEL, ADJUSTING	

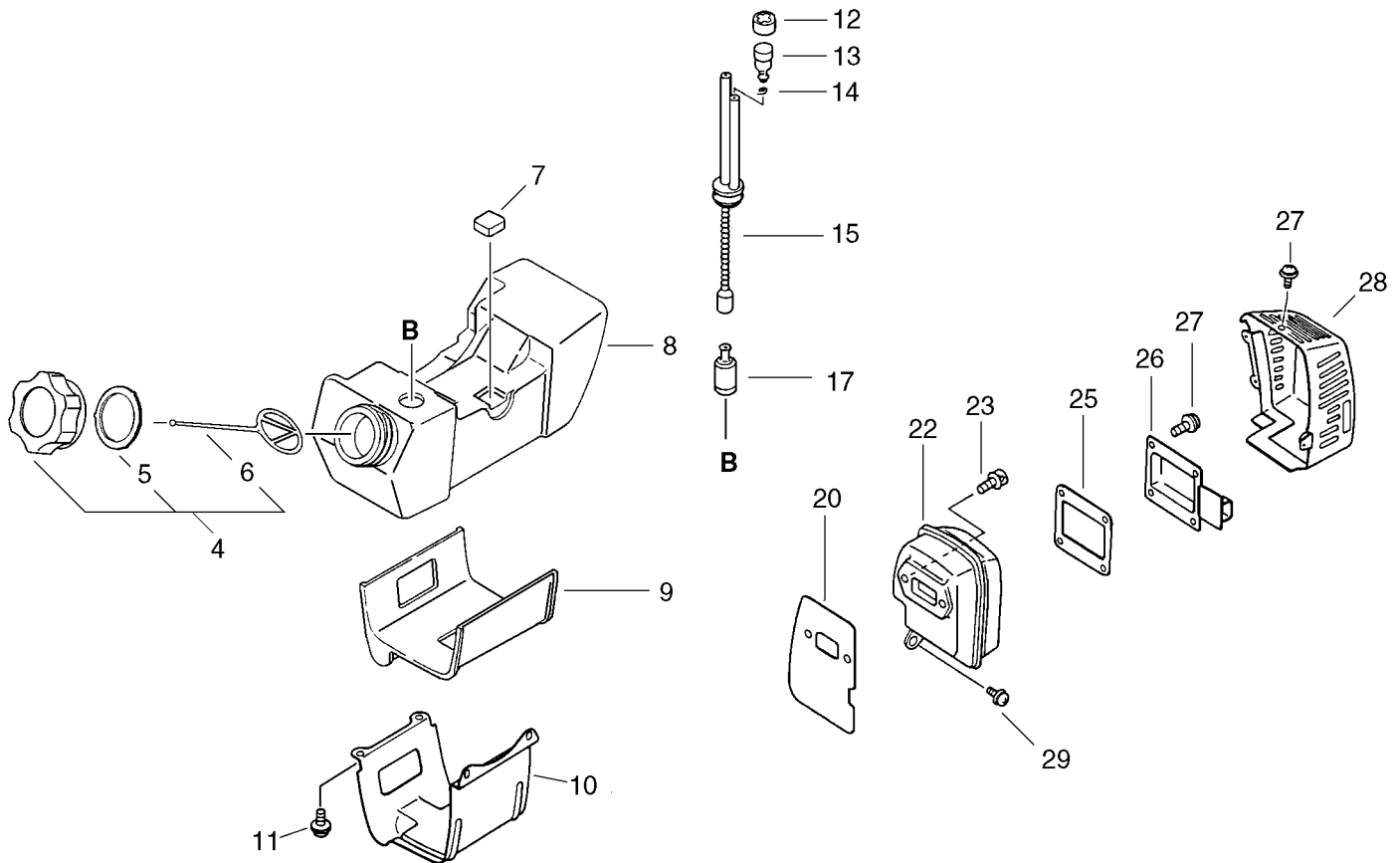


Bild	Artikelnummer	Anzahl	Beschreibung	Anmerkung
4	131004-08960	1	CAP ASSY, FUEL	
5	+ 131016-55830	1	GASKET, FUEL CAP	
6	+ 131051-52430	1	CONNECTOR, CAP	
7	131923-11120	3	CUSHION	
8	131010-46930	1	TANK, FUEL	
9	131924-43130	1	CUSHION	
10	131910-43130	1	BRACKET, FUEL TANK (BL)	
11	900238-05014	2	SCREW 5*14	
12	131328-40630	1	COVER, VENT	
13	131300-56430	1	VALVE, CHECK	
14	132013-26630	1	CLIP	
15	132010-43130	1	PIPE, FUEL (INNER)	
17	131205-19830	1	STRAINER, FUEL	
20	145510-42231	1	GASKET, MUFFLER	
22	145610-47530	1	MUFFLER	
23	900162-05020	2	BOLT, H.S. 5*20	
25	145866-43131	1	GASKET, MUFFLER LID	
26	145867-47530	1	LID, MUFFLER	
27	900238-04010	7	SCREW 4*10	
28	145871-43130	1	COVER, MUFFLER	
29	900238-05014	1	SCREW 5*14	

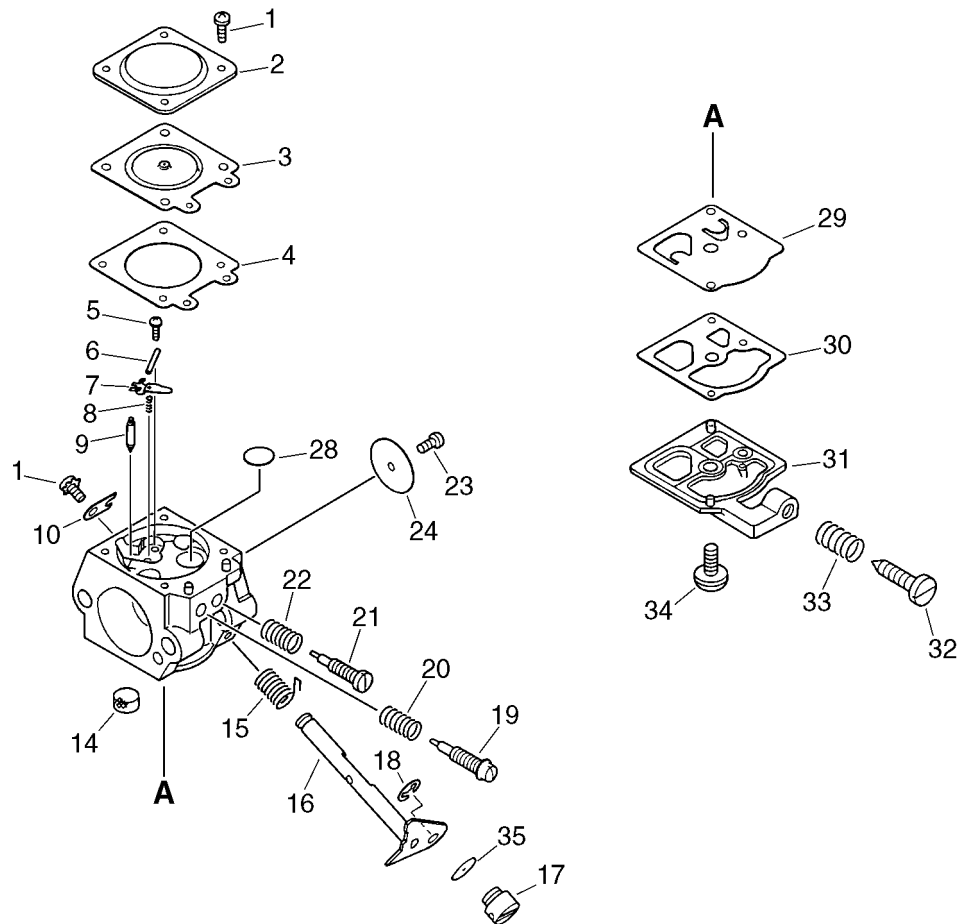


Bild	Artikelnummer	Anzahl	Beschreibung	Anmerkung
	123000-47532	1	CARBURETOR ASSY	
1	+ 123130-02960	5	SCREW	
2	+ 123142-03930	1	COVER, M. DIAPHRAGM	
3	+ 123141-03930	1	DIAPHRAGM, METERING	
4	+ 123140-03930	1	GASKET, M. DIAPHRAGM	
5	+ 123139-03930	1	SCREW, M. LEVER PIN	
6	+ 123138-03930	1	PIN, METERING LEVER	
7	+ 123123-03930	1	LEVER, METERING	
8	+ 123122-47530	1	SPRING, METER. LEVER	
9	+ 123137-04260	1	VALVE, INLET NEEDLE	
10	+ 123127-03930	1	CLIP, THROTTLE SHAFT	
14	+ 123126-10631	1	SCREEN, INLET	
15	+ 123113-47530	1	SPRING, THR. RTN.	
16	+ 123117-05020	1	SHAFT, THROTTLE	
17	+ 123172-26030	1	SWIVEL	
18	+ 123173-07930	1	CLIP	
19	+ 123120-47530	1	NEEDLE, HIGH SPEED	
20	+ 123119-22130	1	SPRING, NEEDLE	
21	+ 123118-40430	1	NEEDLE, IDLE	
22	+ 123121-22130	1	SPRING, NEEDLE	
23	+ 123114-03930	1	SCREW	Sr/Nr 011173 and before
23	+ 123114-38830	1	SCREW	Sr/Nr 011174 and after
24	+ 123116-10530	1	VALVE, THROTTLE	
28	+ 123146-10631	1	PLUG, WELCH	
29	+ 123112-15030	1	DIAPHRAGM, FUEL PUMP	
30	+ 123125-15030	1	GASKET, FUEL PUMP	
31	+ 123124-24430	1	COVER, FUEL PUMP	
32	+ 123134-04260	1	SCREW, IDLE ADJUST	
33	+ 123133-06320	1	SPRING, IDLE ADJUST	
34	+ 123110-03930	1	SCREW, PUMP COVER	
35	+ 123149-26030	1	WASHER	

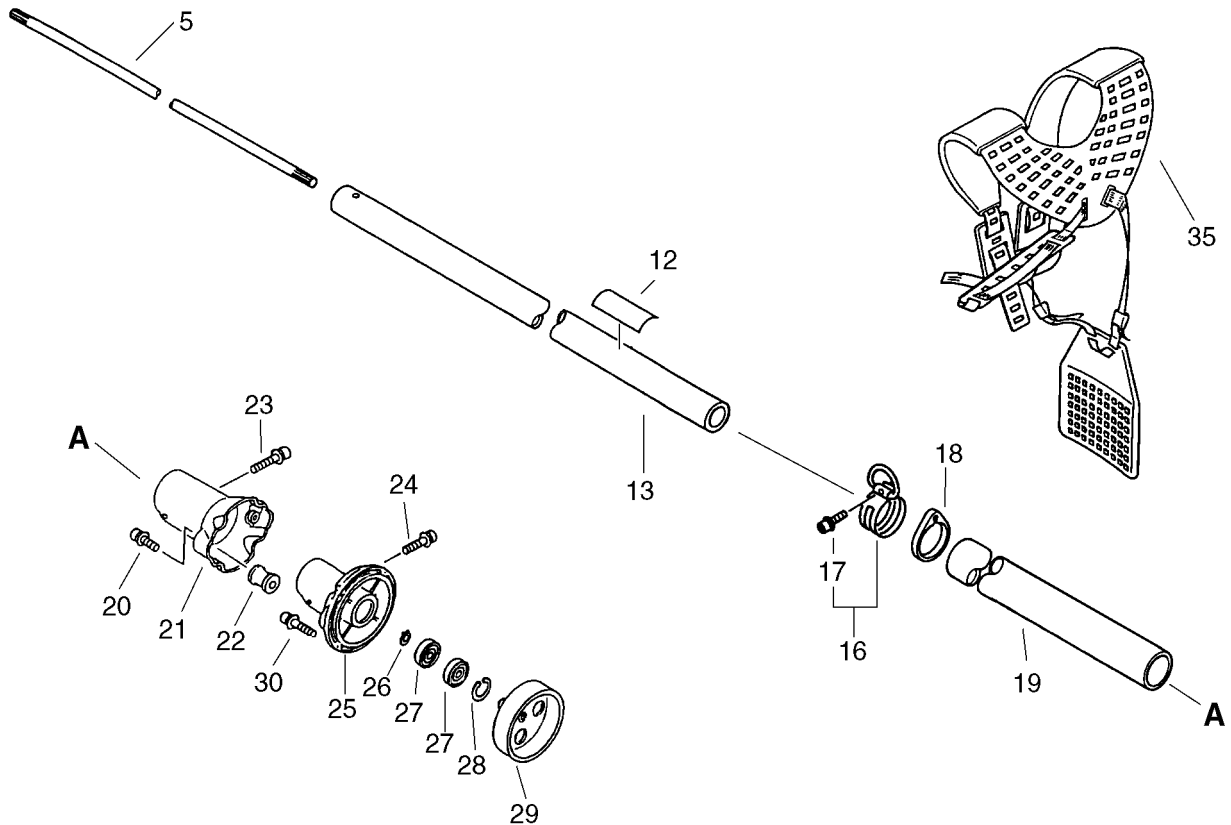


Bild	Artikelnummer	Anzahl	Beschreibung	Anmerkung
5	610011-47530	1	SHAFT, DRIVE	CLS-4600
5	610011-51530	1	SHAFT, DRIVE	CLS-4610
12	890617-46830	1	LABEL, CAUTION	Sus. by 890617-43130
12	890617-43130	1	LABEL, CAUTION	
13	610206-47531	1	HOUSING ASSY, D.SHFT	CLS-4600
13	610206-51531	1	HOUSING ASSY, D.SHFT	CLS-4610
16	301205-47531	1	HOOK	
17	+ 900162-05020	1	BOLT, H.S. 5*20	
18	178121-47530	2	CLIP	
19	610258-47530	1	SWIVEL, D.S.HOUS	CLS-4600
19	610258-51530	1	HOUSING, DRV. SFAFT	CLS-4610
20	900162-05014	2	BOLT, H.S. 5*14	
21	610266-47530	1	CASE, CLUTCH	
22	100905-51530	2	CUSHION	Sus. by 100910-21860
22	100910-21860	2	CUSHION	
23	900162-05035	1	BOLT, H.S. 5*35	
24	900162-05030	2	BOLT, H.S. 5*30	
25	610223-47531	1	FLANGE, D.S. HOUSING	
26	900701-00015	1	CIRCLIP 15	
27	900819-06202	2	BEARING, BALL 6202	
28	900702-00035	1	CIRCLIP 35	
29	175005-47530	1	DRUM, CLUTCH	
30	900162-05020	4	BOLT, H.S. 5*20	
35	301000-51530	1	HARNESS, SHOULDER	

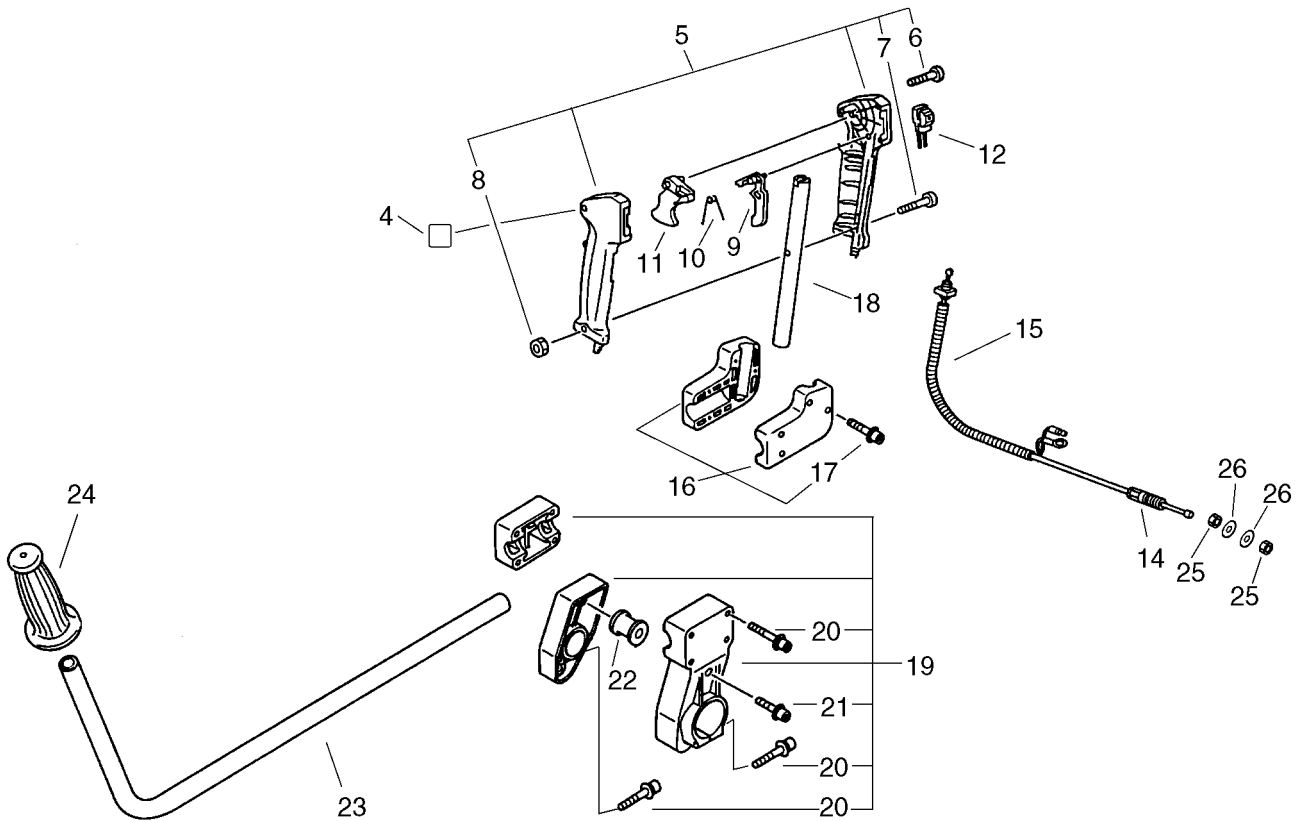


Bild	Artikelnummer	Anzahl	Beschreibung	Anmerkung
4	890157-39130	1	LABEL, SWITCH	
5	351102-47530	1	GRIP ASSY, F-HANDLE	
6	+ 900246-03025	4	SCREW 3*25	
7	+ 900220-05030	1	SCREW 5*30	
8	+ 900500-00005	1	NUT 5	
9	178012-05960	1	LOCKOUT, THROTTLE	
10	178013-35631	1	SPRING, THR. LOCK	
11	178010-05960	1	CONTROL, THROTTLE	
12	163400-48030	1	SWITCH, IGNITION	
14	178001-47530	1	WIRE, THROTTLE	
15	178127-47530	1	TUBE	
16	351302-47530	1	BRACKET, HANDLE	
17	+ 900162-05025	4	BOLT, H.S. 5*25	
18	351210-47530	1	HANDLE, REAR	
19	351301-47531	1	BRACKET, HANDLE	
20	+ 900162-05035	6	BOLT, H.S. 5*35	
21	+ 900162-05014	2	BOLT, H.S. 5*14	
22	100905-51530	2	CUSHION	Sus. by 100910-21860
22	100910-21860	2	CUSHION	
23	351110-47530	1	HANDLE, FRONT	CLS-4600
23	351110-54430	1	HANDLE, FRONT	CLS-4610
24	351213-47530	1	GRIP	
25	900502-00006	2	NUT 6 (3N)	
26	900600-00006	2	WASHER 6	

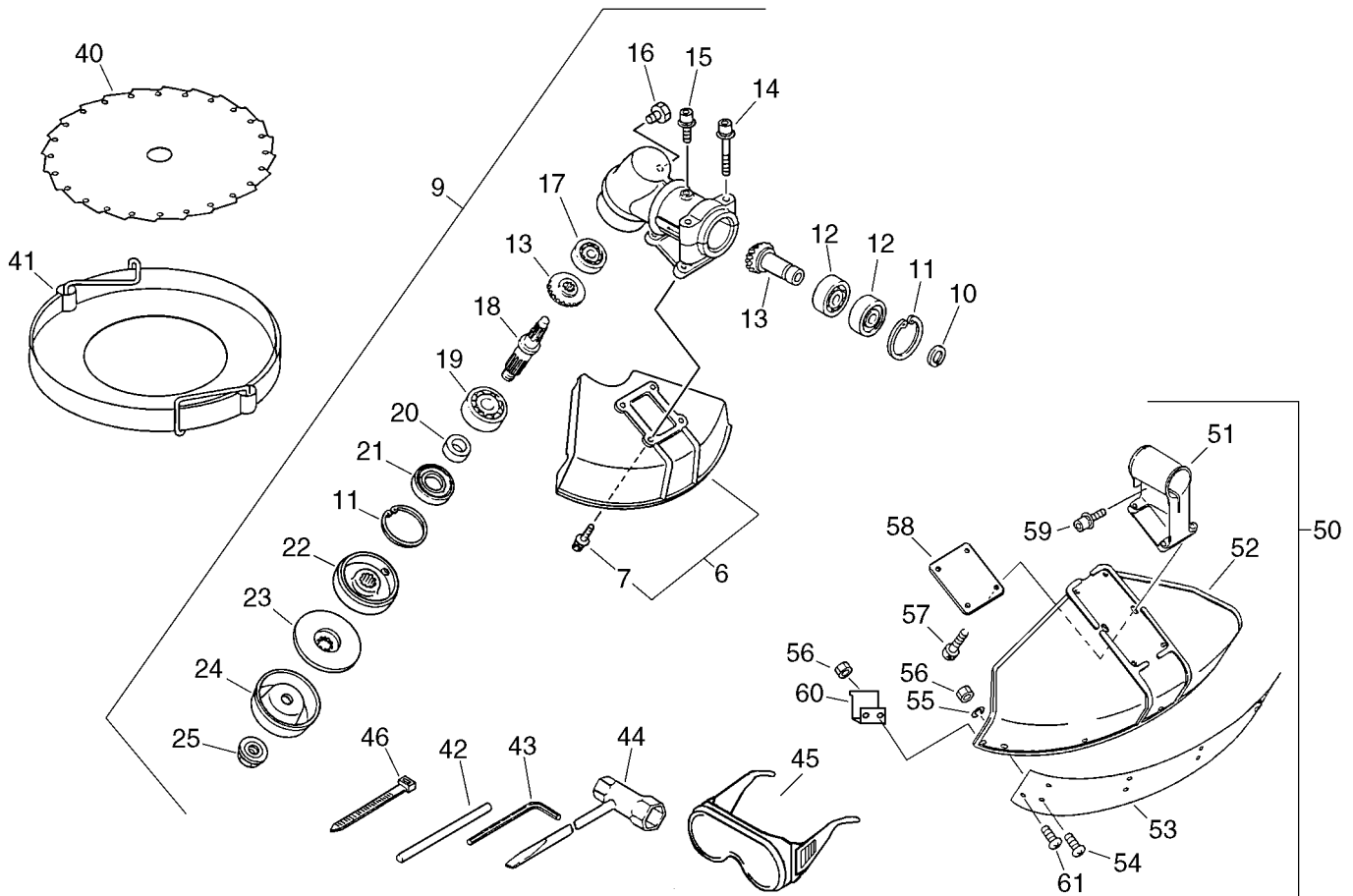


Bild	Artikelnummer	Anzahl	Beschreibung	Anmerkung
6	699000-47530	1	SHIELD ASSY	CLS-4600
7	+ 900162-05020	4	BOLT, H.S. 5*20	CLS-4600
9	610400-51530	1	HOUSING ASSY, GEAR	
10	+ 900701-00015	1	CIRCLIP 15	
11	+ 900702-00035	2	CIRCLIP 35	
12	+ 900810-06202	2	BEARING, BALL 6202	
13	+ 610300-47530	1	GEAR SET	
14	+ 900162-05035	2	BOLT, H.S. 5*35	
15	+ 900162-05014	1	BOLT, H.S. 5*14	
16	+ 610434-50030	1	BOLT 8*6	Sus. by 610434-50031
16	+ 610434-50031	1	BOLT 8*8	
17	+ 900800-06001	1	BEARING, BALL 6001	
18	+ 610310-51530	1	SHAFT, P.T.O.	
19	+ 900813-06202	1	BEARING, BALL 6202Z	
20	+ 610334-06230	1	SPACER, OILSEAL	
21	+ 610413-47530	1	OILSEAL IS 20 35 7	
22	+ 610313-47530	1	PLATE, ADAPTER PD20	
23	+ 610314-51530	1	PLATE, ADAPTER	
24	+ 610352-47530	1	PLATE, CUP	
25	+ 610320-47530	1	NUT, LOCK	

Bild	Artikelnummer	Anzahl	Beschreibung	Anmerkung
40	695001-51530	1	SAW, CIRCULAR	CLS-4600
41	898503-08030	1	COVER SET, CUTTER	CLS-4600
42	897518-01131	1	LOCKING TOOL	
43	895610-00130	1	L-WRENCH (4MM)	
44	895410-08030	1	WRENCH, W/S. DRIVER	
45	899580-68730	1	SAFETY GLASSES	
46	178121-43230	1	BAND	
50	699000-54530	1	SHIELD ASSY	CLS-4610
51	+ 699011-51530	1	BRACKET, SHIELD	CLS-4610
52	+ 699010-54430	1	SHIELD, BLADE	CLS-4610
53	+ 699013-52130	1	PLATE, SHIELD	CLS-4610
54	+ 900162-05014	4	BOLT, H.S. 5*14	CLS-4610
55	+ 900603-00005	4	WASHER 5	CLS-4610
56	+ 900500-00005	6	NUT 5	CLS-4610
57	+ 900162-05018	4	BOLT, H.S. 5*18	CLS-4610
58	+ 699015-52130	1	PLATE, SHIELD	CLS-4610
59	+ 900162-05025	2	BOLT, H.S. 5*25	CLS-4610
60	+ 699016-54530	1	KNIFE	CLS-4610
61	+ 900162-05012	2	BOLT, H.S. 5*12	CLS-4610

ECHO®

Motorgeräte

die geh'n ran