

Stand 21.02.2002

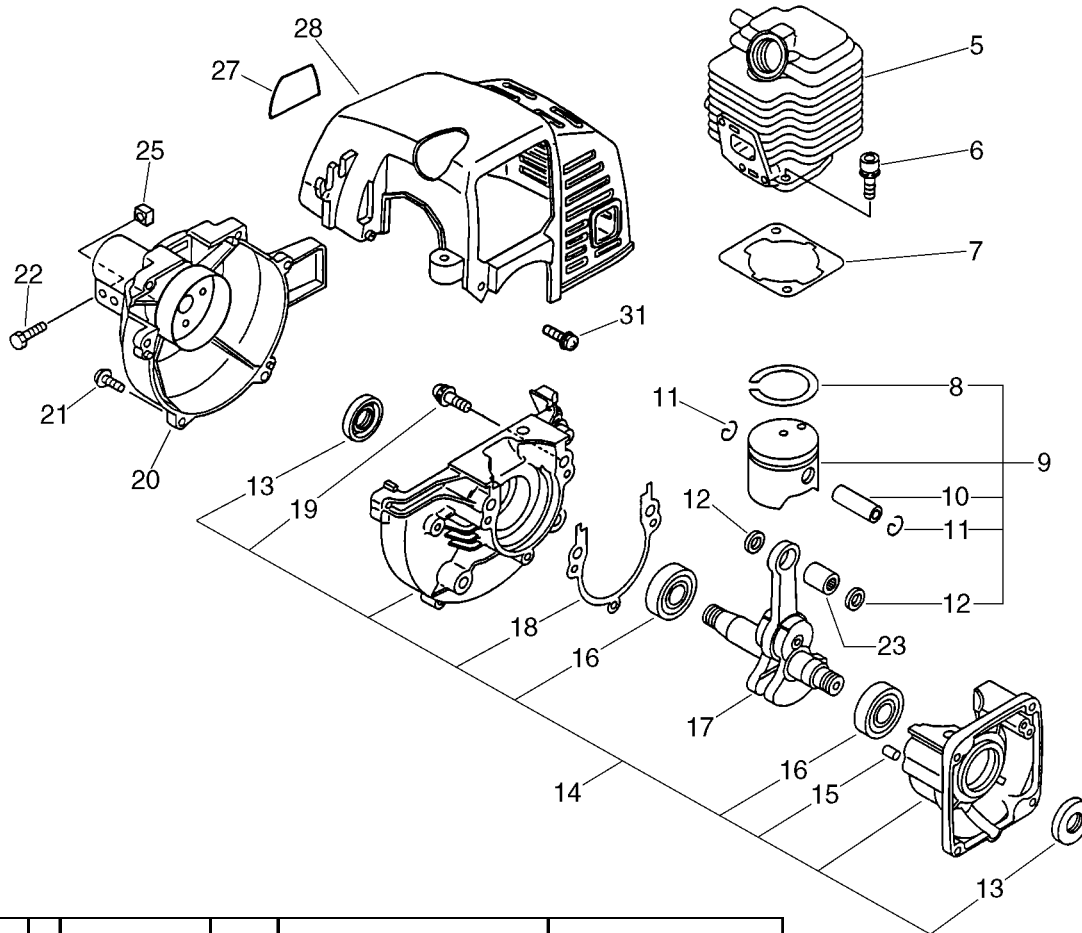
ERSATZTEILLISTE

ECHO Motorsense GT-2010

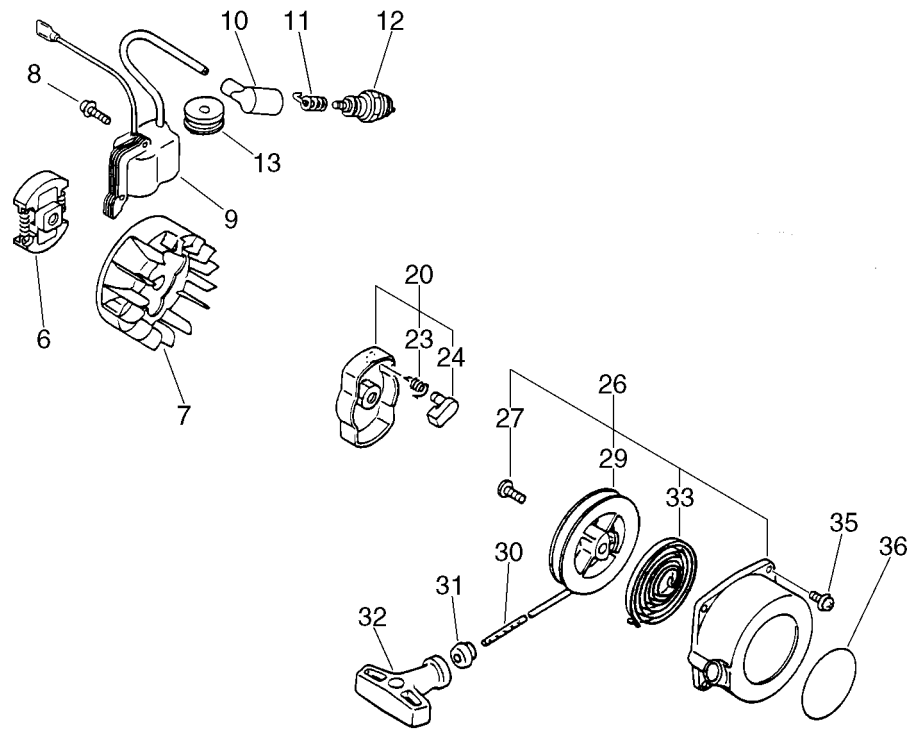
ECHO-Motorgeräte
Vertrieb Deutschland GmbH
Otto-Schott-Str. 7

72555 Metzingen

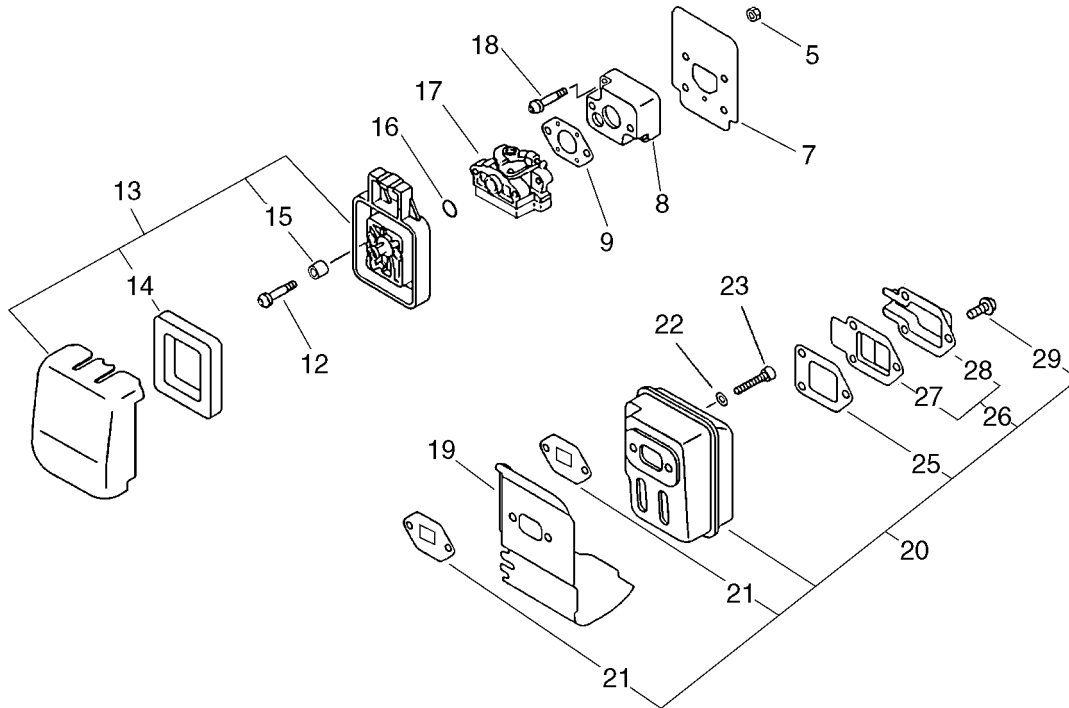
Telefon 07123-1091
Telefax 07123-2589
<http://www.echo-shop.de>
email: info@echo-shop.de



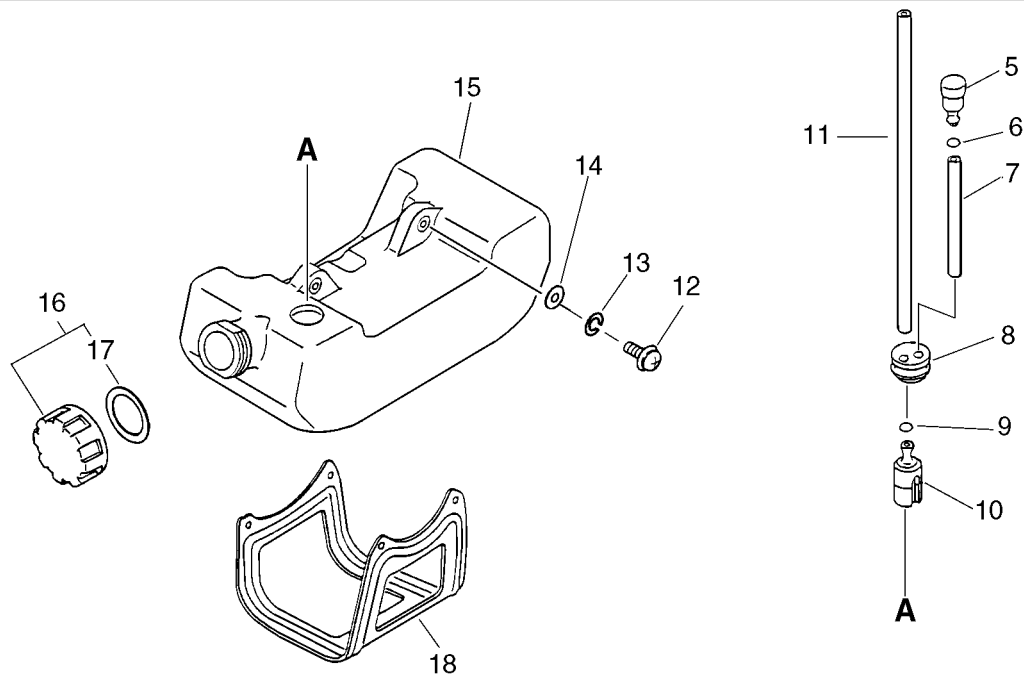
| Bild | Artikelnummer | Anzahl | Beschreibung | Anmerkung |
|------|----------------|--------|----------------------|----------------------|
| 5 | 101011-45230 | 1 | CYLINDER | |
| 6 | 900162-05022 | 2 | BOLT, H.S. 5*22 | |
| 7 | 101010-44331 | 1 | GASKET, CYL. BASE | Sus. by 101010-44332 |
| 7 | 101010-44332 | 1 | GASKET, CYL. BASE | |
| 9 | 100000-44331 | 1 | PISTON KIT | |
| 8 | + 100011-05330 | 1 | RING, PISTON | |
| 10 | + 100013-11520 | 1 | PIN, PISTON | |
| 11 | + 100015-04630 | 2 | CIRCLIP, PISTON PIN | |
| 12 | + 100014-11520 | 2 | SPACER, PISTON PIN | |
| 14 | 100204-51030 | 1 | CRANKCASE KIT | |
| 13 | + 100212-42030 | 2 | OILSEAL | |
| 15 | + 100215-03930 | 2 | PIN, DOWEL | |
| 16 | + 900810-36201 | 2 | BEARING, BALL 6201 | Sus. by 94035-36201 |
| 16 | + 94035-36201 | 2 | BEARING, BALL | |
| 18 | + 100242-42030 | 1 | GASKET, CRANKCASE | |
| 19 | + 900162-05028 | 3 | BOLT, H.S. 5*28 | |
| 17 | 100100-44331 | 1 | CRANKSHAFT ASSY | Sus. by 100100-44332 |
| 17 | 100100-44332 | 1 | CRANKSHAFT | |
| 23 | + 100012-51230 | 1 | BEARING, NEEDLE | |
| 20 | 101503-44330 | 1 | COVER ASSY, FAN | |
| 21 | 900238-04016 | 4 | SCREW 4*16 | |
| 22 | 900142-05028 | 2 | BOLT 5*28 (W/W,SW) | |
| 25 | 900565-50005 | 2 | NUT 5 | |
| 27 | 890112-46830 | 1 | LABEL, MODEL | |
| 28 | 101514-44330 | 1 | COVER, CYLINDER (BS) | |
| 31 | 900238-04016 | 2 | SCREW 4*16 | |



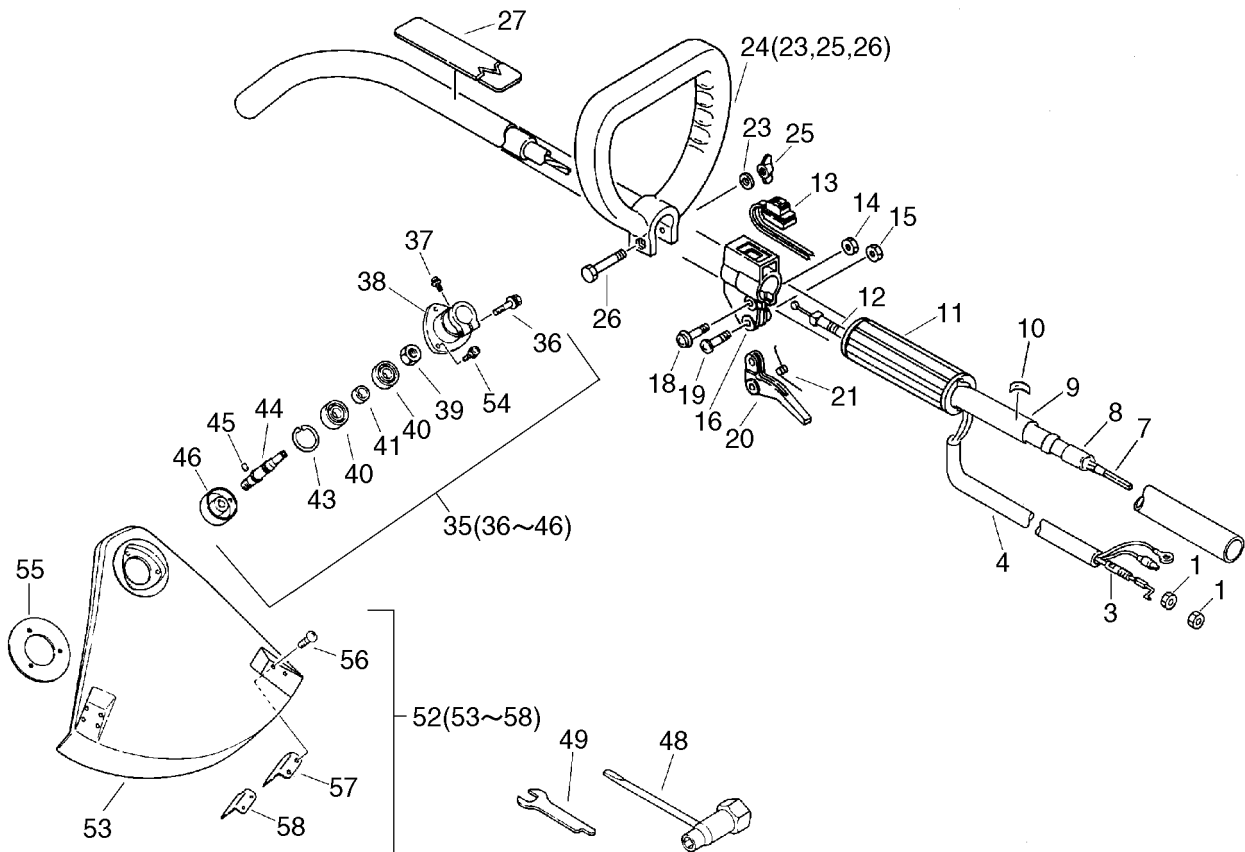
| Bild | Artikelnummer | Anzahl | Beschreibung | Anmerkung |
|------|----------------|--------|----------------------|-----------|
| 6 | 175000-52130 | 1 | CLUTCH ASSY | |
| 7 | 156801-44330 | 1 | FLYWHEEL | |
| 8 | 900238-04022 | 2 | SCREW 4*22 | |
| 9 | 156601-42030 | 1 | C.D. IGNITION MODULE | |
| 10 | 159012-01620 | 1 | CAP, SPARK PLUG | |
| 11 | 159011-03432 | 1 | COIL, SPARK PLUG CAP | |
| 12 | 159010-10630 | 1 | PLUG, SPARK (BPM-7A) | |
| 13 | 150112-00310 | 1 | BUSHING | |
| 20 | 177202-44330 | 1 | PAWL ASSY, STARTER | |
| 23 | + 177234-42030 | 1 | SPRING, RETURN | |
| 24 | + 177218-44330 | 1 | PAWL, STARTER | |
| 26 | 177200-42033 | 1 | STARTER ASSY | |
| 27 | + 177236-44330 | 1 | SCREW | |
| 29 | + 177215-44430 | 1 | DRUM, STARTER | |
| 30 | + 177226-10120 | 1 | ROPE, STARTER | |
| 31 | + 177227-42030 | 1 | GUIDE, ROPE | |
| 32 | + 177228-06530 | 1 | GRIP, STARTER | |
| 33 | + 177220-42030 | 1 | SPRING, REWIND | |
| 35 | 900238-04016 | 2 | SCREW 4*16 | |
| 36 | 890118-44330 | 1 | LABEL, ECHO | |



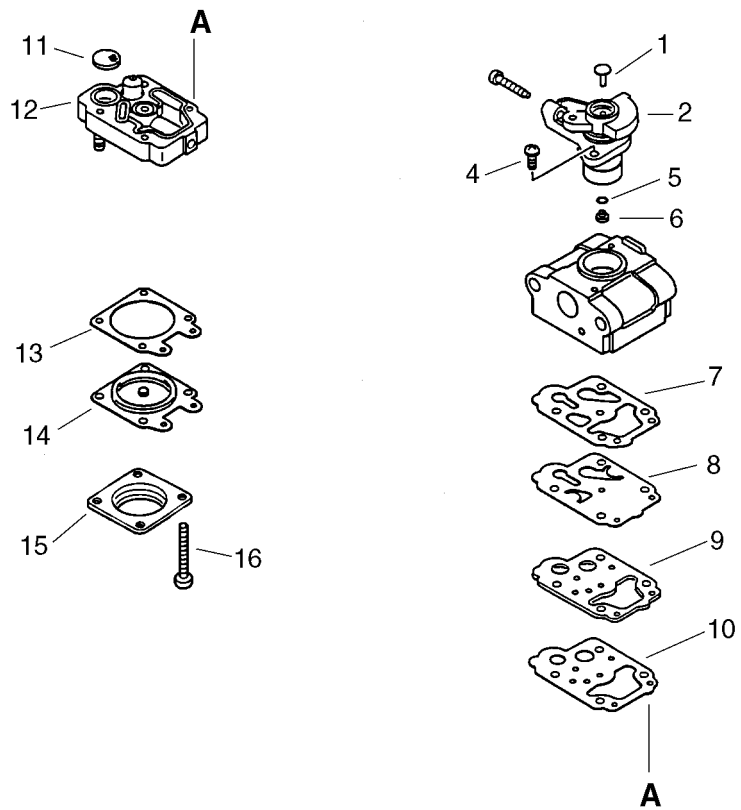
| Bild | Artikelnummer | Anzahl | Beschreibung | Anmerkung |
|------|-----------------|--------|---------------------|---------------------|
| 5 | 900500-00005 | 2 | NUT 5 | |
| 7 | 130010-42032 | 1 | GASKET,INTAKE | |
| 8 | 130017-44330 | 1 | INSULATOR | |
| 9 | 130010-44431 | 1 | GASKET, INTAKE | |
| 12 | 900242-05064 | 2 | SCREW 5*64 | |
| 13 | 130300-45130 | 1 | CLEANER ASSY, AIR | |
| 14 | + 130310-44330 | 1 | FILTER, AIR | |
| 15 | + 130327-44330 | 2 | SLEEVE | |
| 16 | 900720-00015 | 1 | O-RING 15 | |
| 17 | 123000-44430 | 1 | CARBURETOR ASSY | |
| 18 | 900238-05022 | 2 | SCREW 5*22 | |
| 19 | 145631-42030 | 1 | COVER, MUFFLER | |
| 20 | P021-000050 | 1 | MUFFLER ASY | |
| 21 | + 145510-42031 | 2 | GASKET, MUFFLER | Sus. by V104-000160 |
| 21 | + V104-000160 | 2 | GASKET, EXHAUST | |
| 25 | + 145866-42031 | 1 | GASKET, MUFFLER LID | |
| 26 | + 145809-42030 | 1 | LID, MUFFLER | |
| 27 | ++ 145876-42030 | 1 | LID, MUFFLER | |
| 28 | ++ 145863-42030 | 1 | HOLDER, SCREEN | |
| 29 | + 900242-04010 | 3 | SCREW 4*10 | |
| 22 | 900600-00005 | 2 | WASHER 5 | |
| 23 | 900105-05055 | 2 | BOLT, H.S. 5*55 | |



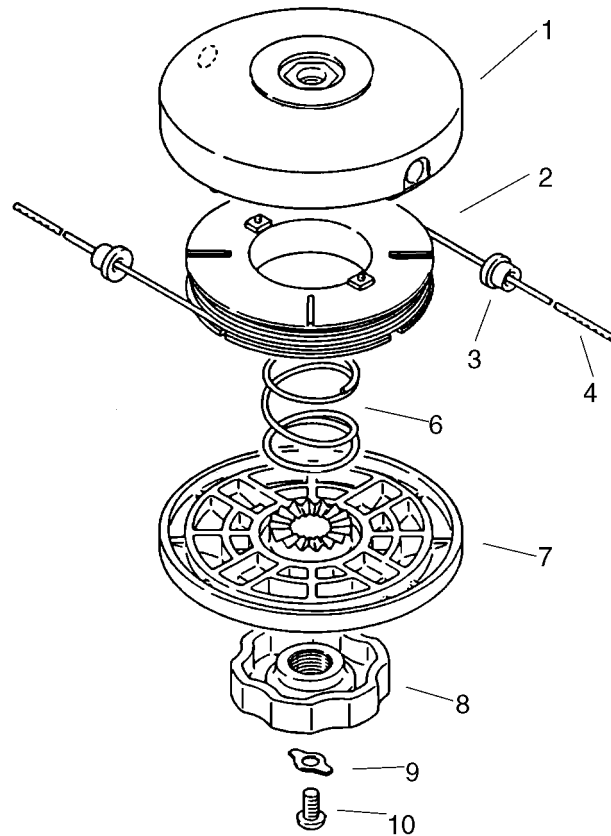
| Bild | Artikelnummer | Anzahl | Beschreibung | Anmerkung |
|------|----------------|--------|---------------------|----------------------|
| 5 | 131300-40630 | 1 | VALVE, CHECK | Sus. by 131300-56430 |
| 5 | 131300-56430 | 1 | VALVE, CHECK | |
| 6 | 132013-02361 | 1 | CLIP, PIPE | Sus. by 130111-00530 |
| 6 | 130111-00530 | 1 | CLIP | |
| 7 | 131312-44330 | 1 | PIPE, 3*5*70L | |
| 8 | 132115-44330 | 1 | GROMMET | |
| 9 | 132013-09820 | 1 | CLIP | |
| 10 | 131205-07320 | 1 | STRAINER, FUEL | |
| 11 | 132010-13930 | 1 | PIPE, FUEL | |
| 12 | 900220-05016 | 2 | SCREW 5*16 | |
| 13 | 900605-00005 | 2 | WASHER, SPRING 5 | |
| 14 | 900603-00005 | 2 | WASHER 5 | |
| 15 | 131005-44430 | 1 | TANK, FUEL | Sus. by 131005-44331 |
| 15 | 131005-44331 | 1 | TANK, FUEL | |
| 16 | 131004-41030 | 1 | CAP ASSY, FUEL TANK | Sus. by 131004-53530 |
| 16 | 131004-53530 | 1 | CAP ASSY, FUEL TANK | |
| 17 | + 131016-40930 | 1 | GASKET, FUEL CAP | Nur mit 131004-41030 |
| 17 | + 131016-55830 | 1 | GASKET, FUEL CAP | Nur mit 131004-53530 |
| 18 | 305110-42030 | 1 | STAND (BL) | |



| Bild | Artikelnummer | Anzahl | Beschreibung | Anmerkung | Bild | Artikelnummer | Anzahl | Beschreibung | Anmerkung |
|------|---------------|--------|---------------------|-----------|------|---------------|--------|---------------------|----------------------|
| 1 | 900502-00006 | 2 | NUT 6 (3N) | | 35 | 610400-26630 | 1 | HOUSING ASSY, BRG. | |
| 3 | 178001-44330 | 1 | WIRE, THROTTLE | | 36 + | 900152-05025 | 1 | BOLT 5*25 | |
| 4 | 178127-24030 | 1 | TUBE | | 37 + | 900242-04010 | 1 | SCREW 4*10 | |
| 7 | 610013-09630 | 1 | SHAFT, FLEXIBLE | | 38 + | 610410-23330 | 1 | CASE, GEAR | |
| 8 | 610217-09630 | 1 | LINER, FLEXIBLE | | 39 + | 900513-00012 | 1 | NUT 12*1.25 3N L-H | |
| 9 | 610210-40630 | 1 | HOUSING, DRV. SHAFT | | 40 + | 900802-06001 | 2 | BEARING, BALL 6001 | Sus. by 94042-06001 |
| 10 | 890152-04930 | 1 | LABEL, CAUTION | | 40 + | 94042-06001 | 2 | BEARING, BALL | |
| 11 | 351111-09630 | 1 | GRIP | | 41 + | 610315-06530 | 1 | SPACER | |
| 12 | 178048-05630 | 1 | HOLDER, THR. WIRE | | 43 + | 900702-00028 | 1 | CIRCLIP 28 | |
| 13 | 163400-44430 | 1 | SWITCH, IGNITION | | 44 + | 610310-26630 | 1 | SHAFT, P.T.O. | |
| 14 | 900500-00005 | 1 | NUT 5 | | 45 + | 900305-30006 | 1 | PIN 3*6 | |
| 15 | 900560-00005 | 1 | NUT, LOCK | | 46 + | 610313-06530 | 1 | PLATE, ADAPTER (U) | |
| 16 | 178024-09630 | 1 | BRACKET, THROTTLE | | 48 | 895410-09630 | 1 | WRENCH, W/S. DRIVER | Sus. by 895410-07630 |
| 18 | 900242-05028 | 1 | SCREW 5*28 | | 48 | 895410-07630 | 1 | WRENCH, W/S. DRIVER | |
| 19 | 178110-05330 | 1 | SCREW | | 49 | 895015-26630 | 1 | SPANNER 10 | |
| 20 | 178010-05631 | 1 | CONTROL, THROTTLE | | 52 | 699000-23231 | 1 | SHIELD ASSY | |
| 21 | 178043-06930 | 1 | SPRING, THR, RETURN | | 53 + | 699017-23231 | 1 | SHIELD | |
| 24 | 351600-09630 | 1 | HANDLE ASSY | | 54 + | 900242-04022 | 3 | SCREW 4*22 | |
| 23 + | 900600-00006 | 1 | WASHER 6 | | 55 + | 699015-23231 | 1 | BRACKET, SHIELD | |
| 25 + | 900525-00006 | 1 | NUT, WING 6 | | 56 + | 900242-05014 | 2 | SCREW 5*14 | |
| 26 + | 900100-06040 | 1 | BOLT 6*40 | | 57 + | 699016-23231 | 1 | CUTTER | |
| 27 | 890160-46830 | 1 | LABEL, CAUTION | | 58 + | 699212-23230 | 1 | PROTECTOR | |



| Bild | | Artikelnummer | Anzahl | Beschreibung | Anmerkung |
|------|---|---------------|--------|----------------------|-----------|
| | | 123000-44430 | 1 | CARBURETOR ASSY | |
| 1 | + | 123146-44330 | 1 | PLUG, WELCH | |
| 2 | + | 123116-44330 | 1 | VALVE, THROTTLE | |
| 4 | + | 123114-44330 | 2 | SCREW | |
| 5 | + | 123183-40630 | 1 | O-RING | |
| 6 | + | 123184-44330 | 1 | JET #37 | |
| 7 | + | 123125-40630 | 1 | GASKET, PUMP | |
| 8 | + | 123112-40630 | 1 | DIAPHRAGM, PUMP | |
| 9 | + | 123160-40630 | 1 | PLATE, PUMP | |
| 10 | + | 123159-40630 | 1 | GASKET, PLATE | |
| 11 | + | 123126-10631 | 1 | SCREEN, INLET | |
| 12 | + | 123179-44330 | 1 | BODY ASSY, PUMP | |
| 13 | + | 123140-03930 | 1 | GASKET, M. DIAPHRAGM | |
| 14 | + | 123141-03930 | 1 | DIAPHRAGM, METERING | |
| 15 | + | 123142-03930 | 1 | COVER, M. DIAPHRAGM | |
| 16 | + | 123144-44330 | 4 | SCREW | |



| Bild | Artikelnummer | Anzahl | Beschreibung | Anmerkung |
|------|---------------|--------|----------------------|-----------|
| 1 | 696205-07933 | 1 | DRUM, CORD REEL | |
| 2 | 696214-06830 | 1 | REEL, CORD | |
| 3 | 696212-06032 | 2 | EYELET | |
| 4 | 696215-22830 | 2 | CORD, NYLON(2.4*2.5) | |
| 6 | 696216-06030 | 1 | SPRING | |
| 7 | 696206-06032 | 1 | COVER, DRUM (JY) | |
| 8 | 696219-07931 | 1 | NUT (JY) | |
| 9 | 696220-06030 | 1 | STOPPER, NUT | |
| 10 | 900220-06010 | 1 | SCREW 6*10 | |



ECHO®

Motorgeräte

die geh'n ran