

Stand 07.11.2001

# ERSATZTEILLISTE

## rückentragbare Motorsense RM-310

ECHO-Motorgeräte  
Vertrieb Deutschland GmbH  
Otto-Schott-Str. 7

72555 Metzingen

Telefon 07123-1091  
Telefax 07123-2589  
<http://www.echo-shop.de>  
email: [info@echo-shop.de](mailto:info@echo-shop.de)

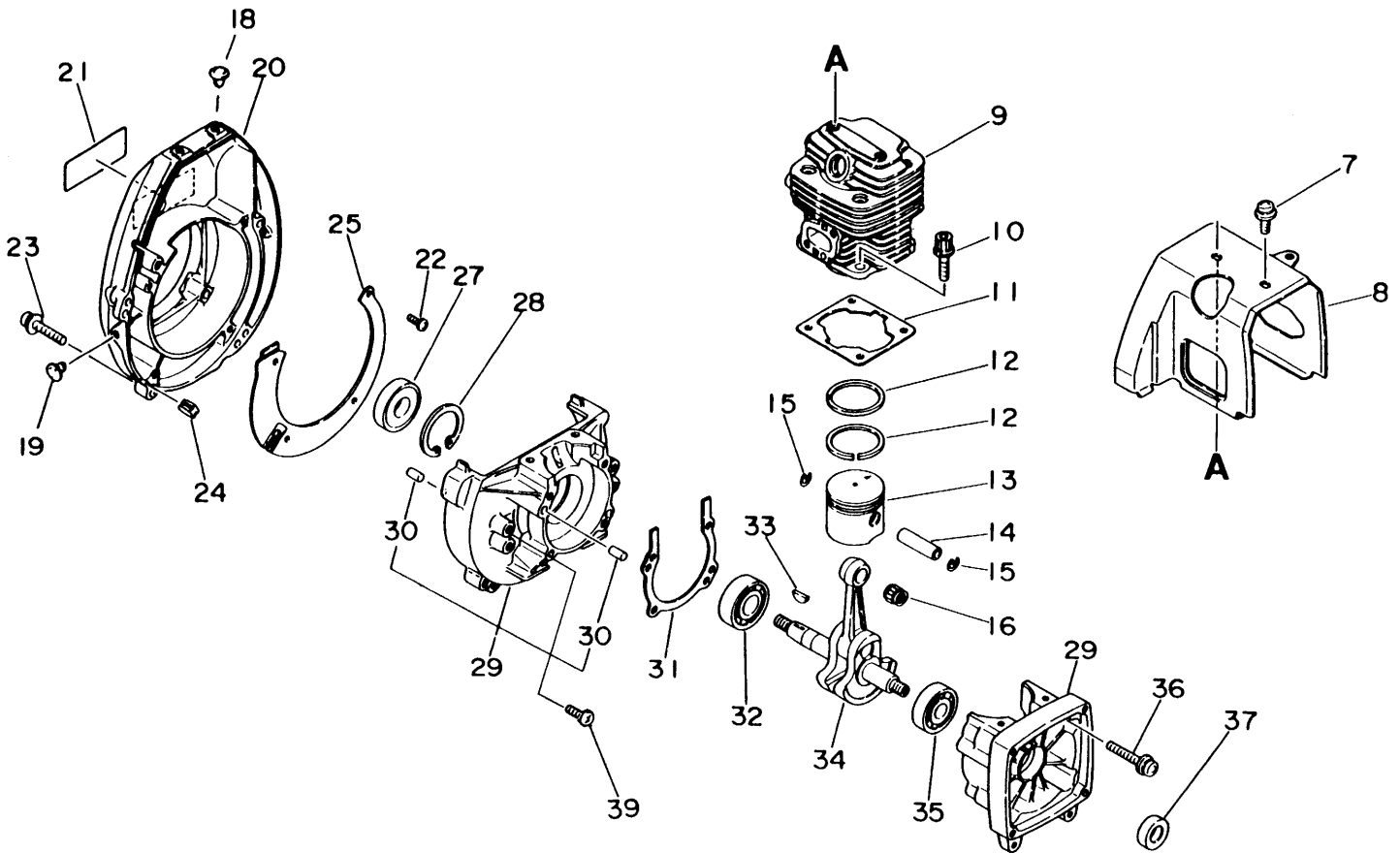
**RM-310 1**


Bild	Artikelnummer	Anzahl	Bezeichnung
7	900242-05012	1	SCREW 5*12
8	101514-27530	1	COVER, CYLINDER (BL)
9	101011-27530	1	CYLINDER
10	900162-05020	4	BOLT, H.S. 5*20
11	101010-21230	1	GASKET, CYL. BASE
13	100010-27430	1	PISTON
12	100011-16131	2	RING, PISTON
14	100013-27430	1	PIN, PISTON
15	100015-03930	2	CIRCLIP, PISTON PIN
16	100012-16131	1	BEARING, NEEDLE
18	880517-28930	1	PLUG
19	880517-28230	1	PLUG
20	101511-27430	1	COVER, FAN (BS)
21	890112-29430	1	LABEL, MODEL
22	900220-04008	4	SCREW 4*8
23	900242-05025	4	SCREW 5*25
24	101583-21230	1	PLUG
25	101534-21230	1	PLATE, GUIDE
27	100212-05730	1	OILSEAL

Bild	Artikelnummer	Anzahl	Bezeichnung
28	900702-00035	1	CIRCLIP 35
29	100200-27430	1	CRANKCASE SET
30	+ 100215-02830	4	PIN, DOWEL
31	100242-21230	1	GASKET, CRANKCASE
32	900810-36202	1	BEARING, BALL 6202
33	100142-00310	1	KEY, WOODRUFF (M)
34	100100-21230	1	CRANKSHAFT ASSY
35	900810-36201	1	BEARING, BALL 6201
36	900242-05030	4	SCREW 5*30
37	100213-05530	1	OILSEAL
39	900220-05008	2	SCREW 5*8

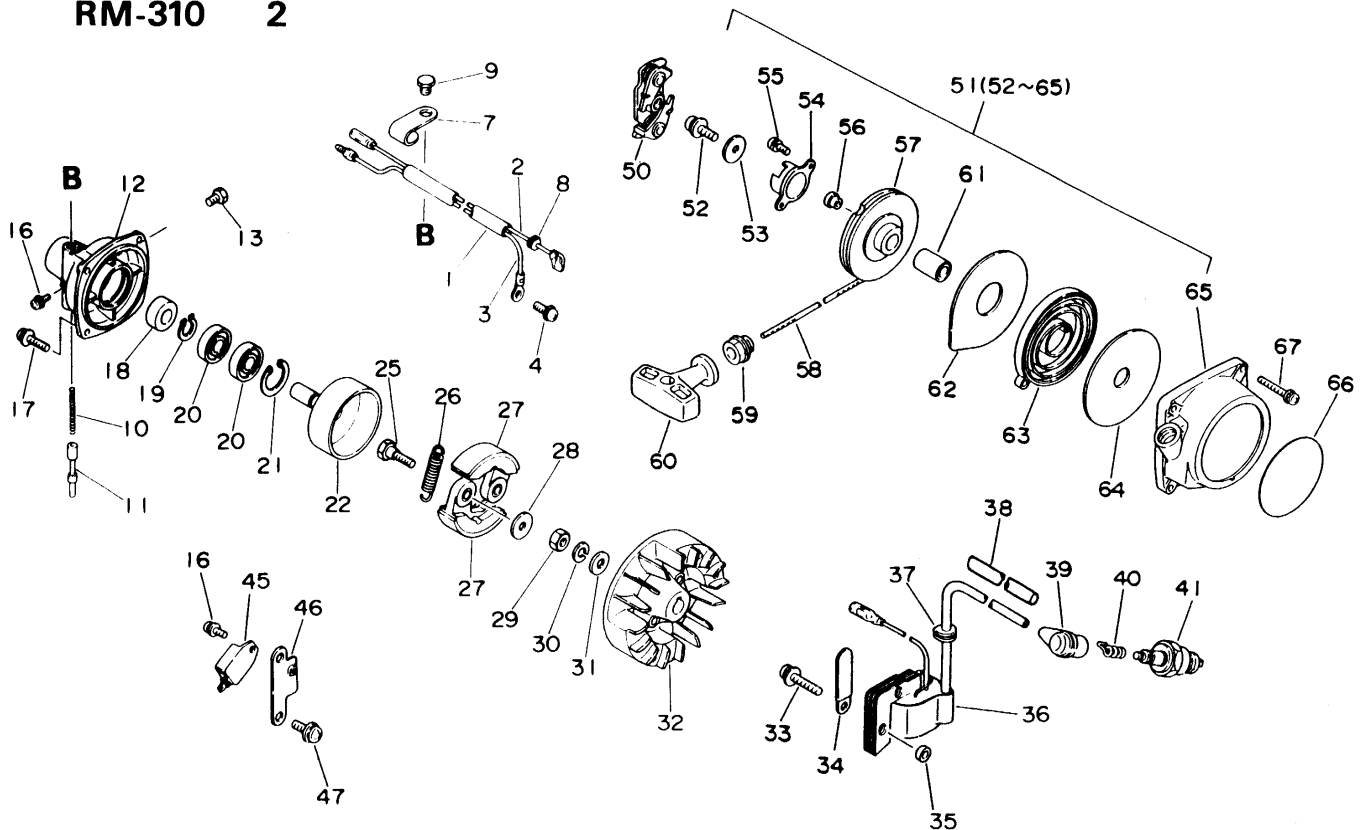
**RM-310 2**


Bild	Artikelnummer	Anzahl	Bezeichnung
1	178127-29330	1	TUBE 9*10*150L
2	162021-29430	1	LEAD
3	162010-29330	1	LEAD, GROUND
4	900242-05010	1	SCREW 5*10
7	162111-07130	1	CLIP
8	156114-04920	1	GROMMET
9	610250-07130	1	BOLT
10	610251-07130	1	SPRING
11	610252-07130	1	LOCKPIN
12	610223-28931	1	FLANGE, D.S. HOUSIN
13	900100-06010	1	BOLT 6*10
16	900242-04008	2	SCREW
17	900242-05020	4	SCREW 5*20
18	175313-20430	1	RING, FELT
19	900701-00012	1	CIRCLIP 12
20	900802-06001	2	BEARING, BALL 6001
21	900702-00028	1	CIRCLIP 28
22	175005-22032	1	DRUM, CLUTCH
25	175046-22332	2	BOLT, CLUTCH
26	175018-05731	1	SPRING, CLUTCH
27	175009-05733	2	SHOE, CLUTCH
28	175048-05530	2	WASHER (I)
29	900500-00008	1	NUT 8
30	900605-00008	1	WASHER, SPRING 8
31	175049-03920	1	WASHER
32	152801-27430	1	ROTOR, MAGNET
33	900242-05025	2	SCREW 5*25
34	159116-21231	1	CLAMP

Bild	Artikelnummer	Anzahl	Bezeichnung
35	152117-05530	2	SPACER
36	152626-27530	1	COIL, IGNITION
37	152112-05730	1	BUSHING
38	152111-28930	1	TUBE
39	159012-03433	1	CAP, SPARK PLUG
40	159011-03432	1	COIL, SPARK PLUG CA
41	159010-10630	1	PLUG, SPARK (BPM-7A
45	152601-15130	1	T.C. IGNITION MODUL
46	159310-27430	1	BRACKET, IGN. COIL
47	900242-05012	2	SCREW 5*12
50	177305-06720	1	RATCHET
51	177200-27430	1	STARTER ASSY (BS
52	+ 900242-05012	1	SCREW 5*12
53	+ 177214-02830	1	WASHER
54	+ 177243-04130	1	CATCHER, PAWL
55	+ 900241-04008	2	SCREW 4*8
56	+ 177246-03930	1	CLIP, STARTER ROPE
57	+ 177215-04130	1	DRUM, STARTER
58	+ 177226-27430	1	ROPE, STARTER
59	+ 177227-05020	1	GUIDE, ROPE
60	+ 177228-11130	1	GRIP, STARTER
61	+ 177216-12330	1	COLLAR
62	+ 177242-06721	1	PLATE, STARTER
63	+ 177220-03930	1	SPRING, REWIND
64	+ 177221-06720	1	PLATE, STARTER
65	+ 177209-27430	1	CASE, STARTER (BS
66	890112-17830	1	LABEL, ECHO
67	900242-04025	4	SCREW 4*25

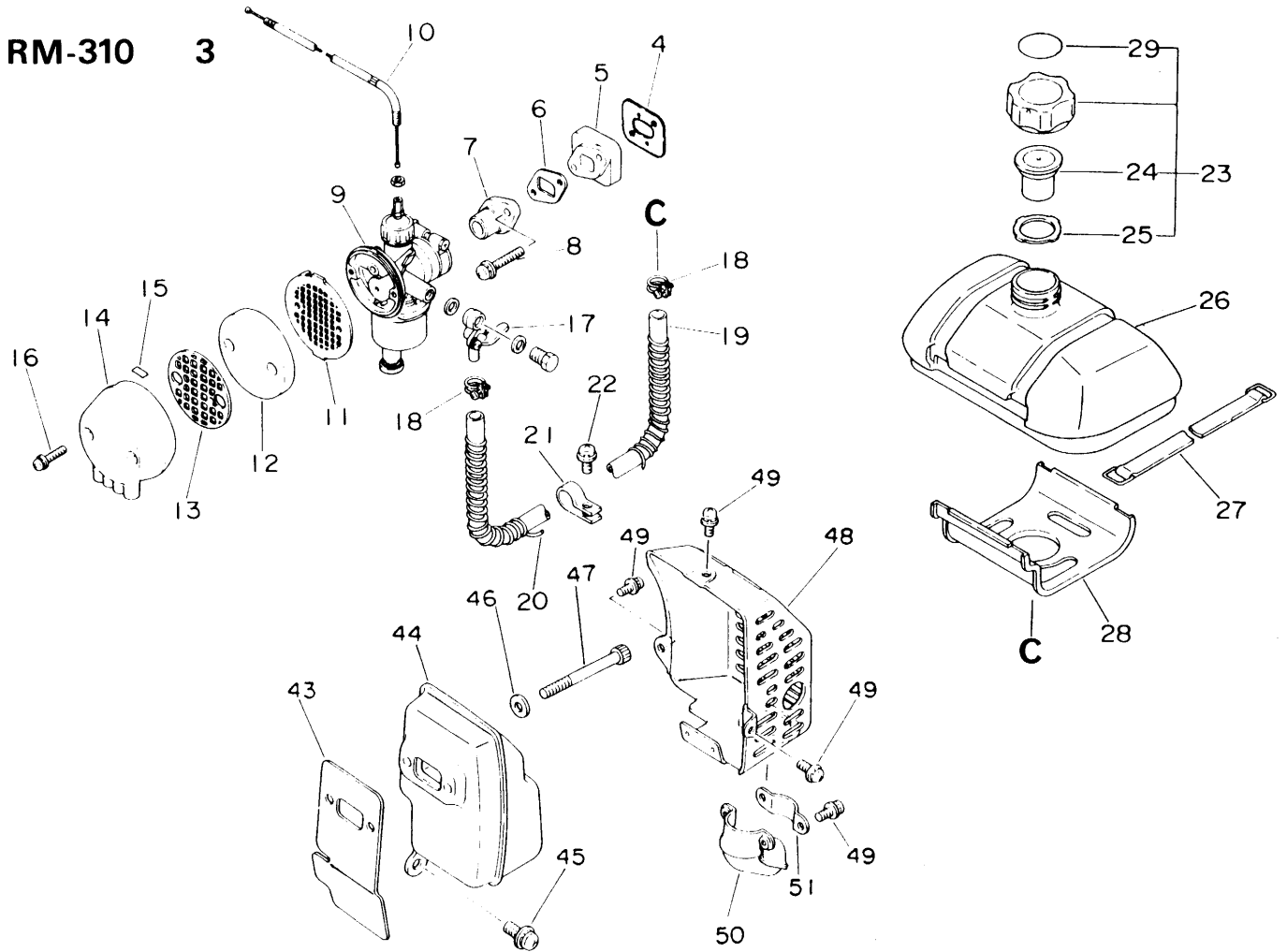


Bild	Artikelnummer	Anzahl	Bezeichnung
4	130010-27531	1	GASKET
5	130017-28930	1	INSULATOR
6	130010-22430	1	GASKET, INSULATOR
7	130510-22431	1	ADAPTER, INTAKE
8	900242-05025	2	SCREW 5*25
9	120000-28930	1	CARBURETOR ASSY
10	178004-22030	1	WIRE, THROTTLE
11	130319-22430	1	SET PLATE
12	130310-22430	1	FILTER, AIR
13	130311-22430	1	NET
14	130308-27630	1	CASE, AIR CLEANER
15	890026-00510	1	LABEL, CHOKE
16	900242-04025	2	SCREW 4*25
17	132200-00512	1	VALVE ASS'Y, FUEL
18	132013-00360	2	CLIP, PIPE
19	132010-22030	1	PIPE, FUEL
20	132015-22030	1	COIL, FUEL PIPE
21	132112-22031	1	CLIP, FUEL PIPE
22	900242-05012	1	SCREW 5*12

Bild	Artikelnummer	Anzahl	Bezeichnung
23	<b>131600-29330</b>	1	CAP ASSY, FUEL TANK
24	+ 131003-21230	1	CUP SET, VENT
25	+ 131016-21230	1	GASKET, FUEL CAP
29	+ 890154-12730	1	LABEL, FUEL MIX
26	131010-22030	1	TANK, FUEL
27	131917-21530	2	BAND, FUEL TANK
28	131920-22030	1	CUSHION
43	145510-27531	1	GASKET, MUFFLER
44	145610-28930	1	MUFFLER (BL)
45	900242-05012	1	SCREW 5*12
46	900603-00005	2	WASHER 5
47	900105-05055	2	BOLT, H.S. 5*55
48	145906-28930	1	COVER, MUFFLER
49	900242-04008	4	SCREW
50	145606-27630	1	LID, MUFFLER
51	145665-21530	1	BRACKET, EXHAUST

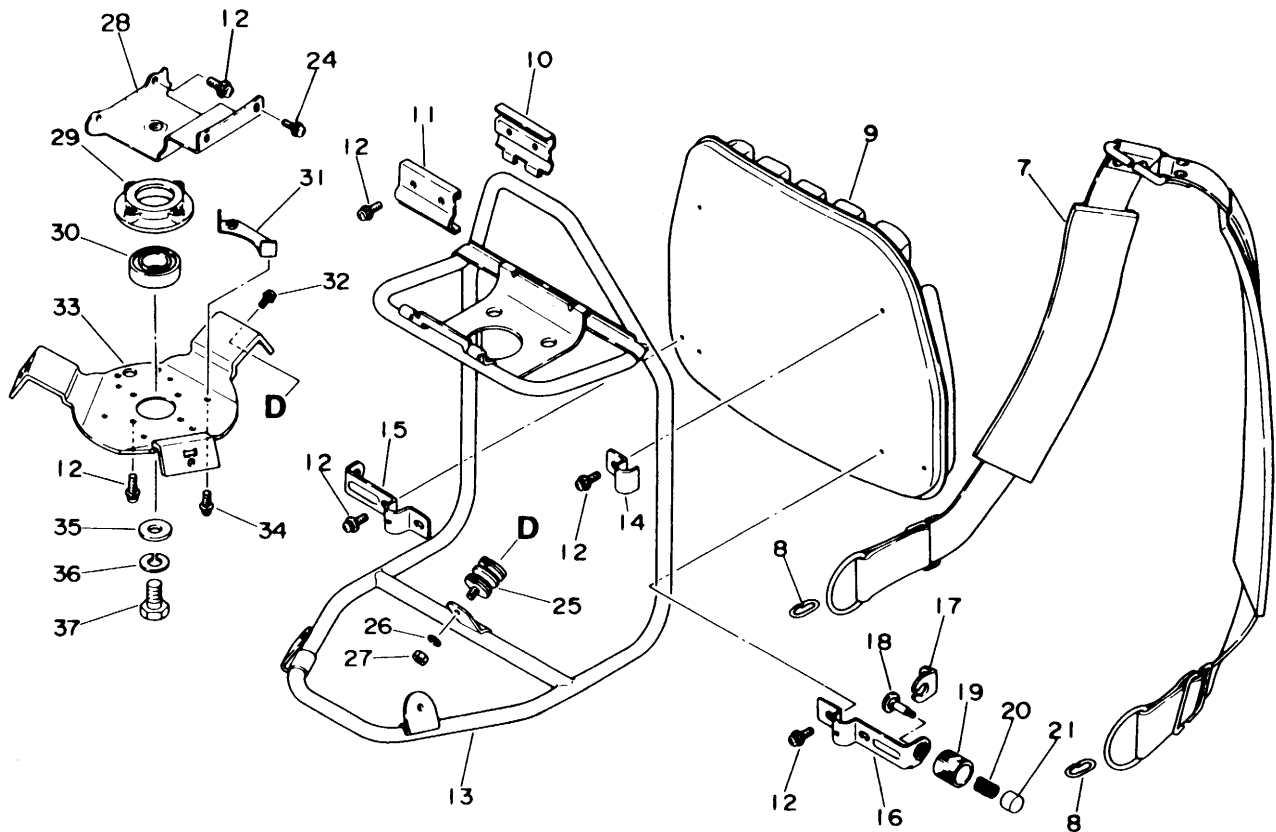
**RM-310 4**


Bild	Artikelnummer	Anzahl	Bezeichnung
7	300300-27630	1	HARNESS, BACKPACK
8	300319-01611	2	RING, HARNESS
9	300105-27630	1	CUSHION
10	300610-22030	1	PLATE, KNAPSACK BAN
11	300616-22030	1	PLATE, KNAPSACK BAN
12	900242-05012	10	SCREW 5*12
13	300005-22031	1	FRAME, KNAPSACK (SL
14	300220-20430	2	BRACKET, CUSHION
15	300226-27630	1	PLATE (L)
16	300225-27630	1	PLATE (R)
17	300716-27630	1	PLATE
18	300715-27630	1	SHAFT
19	300717-27630	1	GUARD
20	300713-27630	1	SPRING
21	300711-27630	1	BUTTON

Bild	Artikelnummer	Anzahl	Bezeichnung
24	900242-04012	2	SCREW
25	100907-14730	3	CUSHION
26	900605-00005	3	WASHER, SPRING 5
27	900500-00005	3	NUT 5
28	104908-27630	1	BRACKET
29	699226-05430	1	HOLDER, BEARING
30	900814-06202	1	BEARING, BALL 6202
31	104931-27630	1	STOPPER
32	900242-05010	3	SCREW 5*10
33	104925-27630	1	RETAINER
34	900242-04010	2	SCREW 4*10
35	900600-00010	1	WASHER 10
36	900605-00010	1	WASHER, SPRING 10
37	900100-10020	1	BOLT 10*20

## RM-310 5

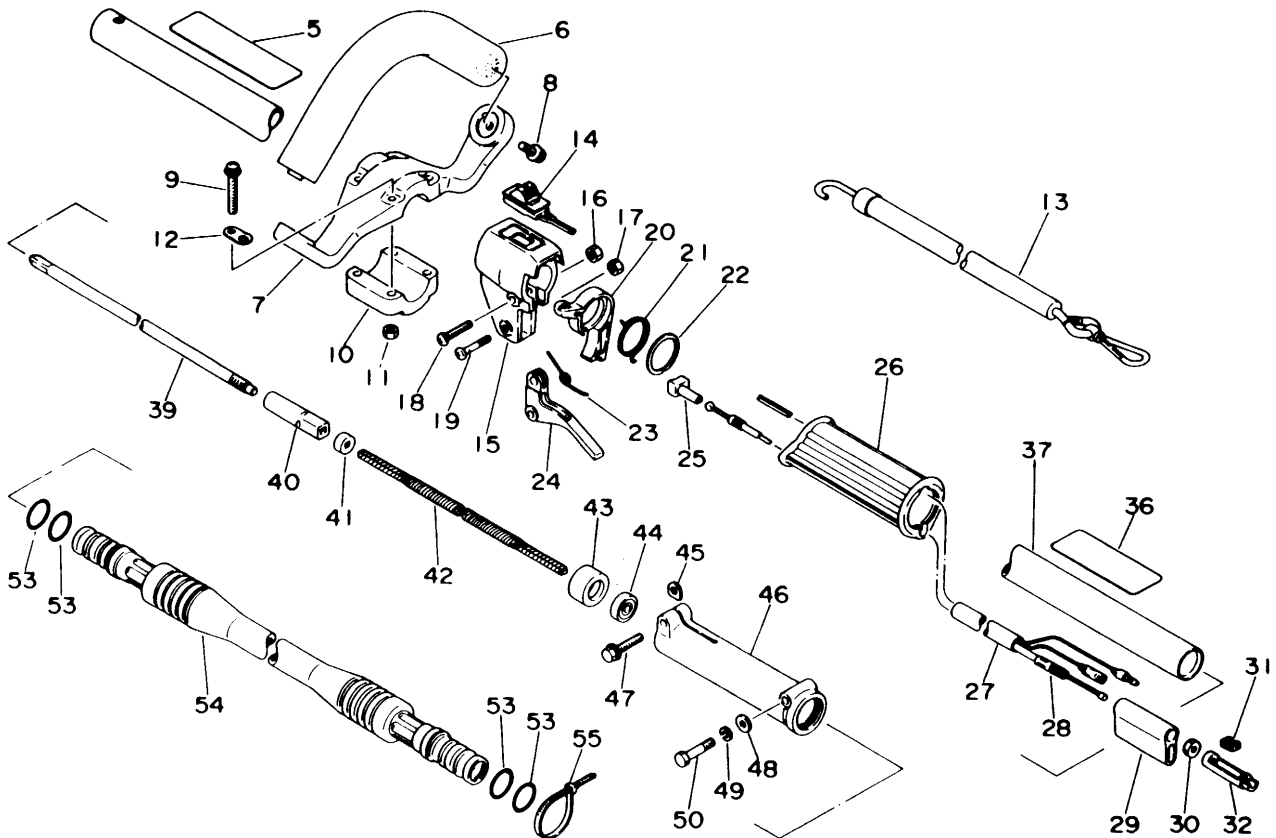


Bild	Artikelnummer	Anzahl	Bezeichnung
5	890160-20330	1	LABEL, CAUTION
6	351205-07130	1	HANDLE
7	351232-07131	1	BRACKET, HANDLE 25
8	900242-05014	2	SCREW 5*14
9	900242-05035	4	SCREW 5*35
10	351225-07130	1	BRACKET, HANDLE (25
11	900500-00005	4	NUT 5
12	300515-07130	1	PLATE, ROPE SET
13	300500-07131	1	ROPE, ELASTIC
14	163401-07130	1	SWITCH, IGNITION
15	178024-24330	1	BRACKET, THROTTLE
16	900500-00005	1	NUT 5
17	433020-00830	1	LOCKNUT 5
18	900220-05030	1	SCREW 5*30
19	178110-05330	1	SCREW
20	178012-24330	1	LOCKOUT, THROTTLE
21	178013-24330	1	SPRING, THR. LOCK
22	178070-24330	1	SPACER
23	178043-06930	1	SPRING, THR. RETURN
24	178010-05630	1	CONTROL, THROTTLE
25	178048-05630	1	HOLDER, THR. WIRE
26	610249-27030	1	GRIP
27	178127-22130	1	TUBE
28	178002-07131	1	WIRE, THROTTLE

Bild	Artikelnummer	Anzahl	Bezeichnung
29	178128-22130	1	SLEEVE
30	178021-05530	1	LOCKNUT
31	178049-06630	1	CONNECTOR
32	178114-05630	1	CONNECTOR, THR. WIR
36	890124-07130	1	LABEL, CAUTION
37	610206-07131	1	HOUSING ASS'Y, D.SFT
39	610011-07131	1	SHAFT, DRIVE 7
40	610012-07132	1	CONNECTOR, D. SHAF
41	610020-07130	1	ADAPTER, FLX. SHAFT
42	610013-07130	1	SHAFT, FLEXIBLE
43	610111-07130	1	HOUSING, CLUTCH
44	900814-00627	1	BEARING, BALL 627
45	610239-04130	1	WASHER, SHIM
46	610248-07134	1	CONNECTOR
47	900142-05025	1	BOLT 5*25 (W/W,SW)
48	900600-00005	1	WASHER 5
49	900605-00005	1	WASHER, SPRING 5
50	610257-07130	1	BOLT
53	900720-00018	4	O-RING 18
54	610209-21532	1	COVER, FLEXIBLE
55	178121-10050	2	BAND

**RM-310 6**

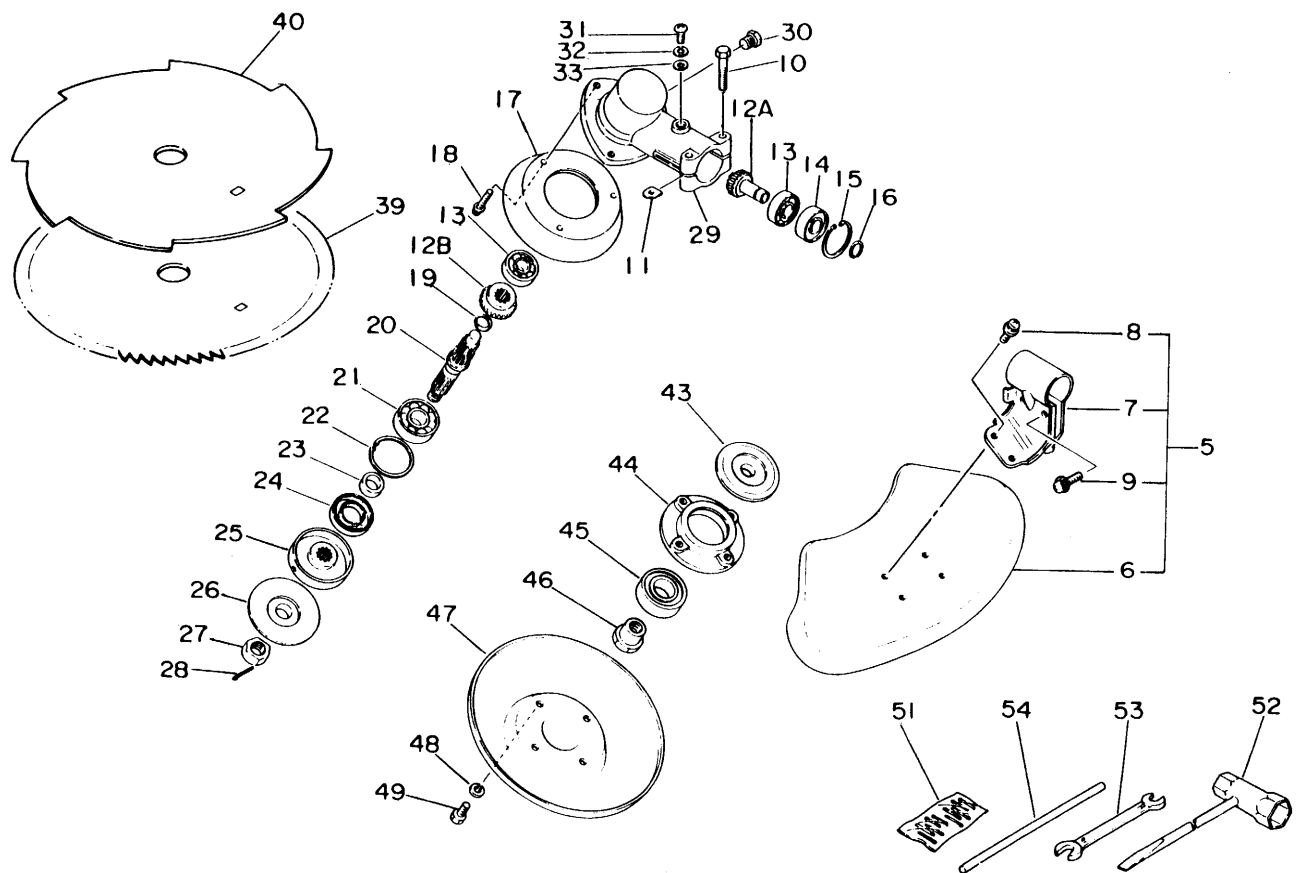


Bild	Artikelnummer	Anzahl	Bezeichnung
5	699000-21230	1	SHIELD ASSY (BS)
6	699010-21231	1	SHIELD (BS)
7	699011-21230	1	BRACKET, SHIELD (BS)
8	900242-05010	4	SCREW 5*10
9	900242-05014	2	SCREW 5*14
*	<b>610400-29430</b>	1	HOUSING ASSY, GEAR
10	+ 900142-05028	2	BOLT 5*28 (W/W,SW)
11	+ 610239-04130	2	WASHER, SHIM
12	+ 610301-08930	1	GEAR SET
13	+ 900800-00609	2	BEARING, BALL 609
14	+ 900803-00609	1	BEARING, BALL 609
15	+ 900702-00025	1	CIRCLIP 25
16	+ 610337-08930	1	CIRCLIP
17	+ 610443-21232	1	PLATE, GUARD
18	+ 900242-05020	3	SCREW 5*20
19	+ 610335-07130	1	CIRCLIP
20	+ 610360-07130	1	SHAFT, P.T.O.
21	+ 900810-06201	1	BEARING, BALL 6201
22	+ 900702-00032	1	CIRCLIP 32
23	+ 610315-07130	1	SPACER
24	+ 610413-07130	1	OILSEAL
25	+ 610313-07130	1	PLATE, ADAPTER (U)
26	+ 610314-07130	1	PLATE, ADAPTER (L)

Bild	Artikelnummer	Anzahl	Bezeichnung
27	+ 900511-00010	1	NUT 10 (L-H)
28	+ 900300-20022	1	PIN, SPLIT 2*22
29	+ 610460-08930	1	HOUSING, GEAR
30	+ 900100-08008	1	BOLT 8*8
31	+ 900220-05010	1	SCREW 5*10
32	+ 900605-00005	1	WASHER, SPRING 5
33	+ 900600-00005	1	WASHER 5
39	695001-01230	1	SAW,CIRCULAR 10 *80P
40	696001-01130	1	BLADE, 8-CUTTER 10IN
*	<b>699200-07132</b>	1	CUP ASSY, FREE
43	+ 610333-07130	1	PLATE, ADAPTER (L)
44	+ 699226-05430	1	HOLDER, BEARING
45	+ 900814-06202	1	BEARING, BALL 6202
46	+ 699227-04630	1	NUT
47	+ 699228-08930	1	PLATE, COVER
48	+ 900605-00005	4	WASHER, SPRING 5
49	+ 900100-05012	4	BOLT 5*12
51	898502-01130	1	PIN 2*22 (W/POUCH)
52	895410-08030	1	WRENCH, W/S. DRIVER
53	895112-00330	1	SPANNER 8*10
54	897518-01131	1	LOCKING TOOL

## RM-310 7

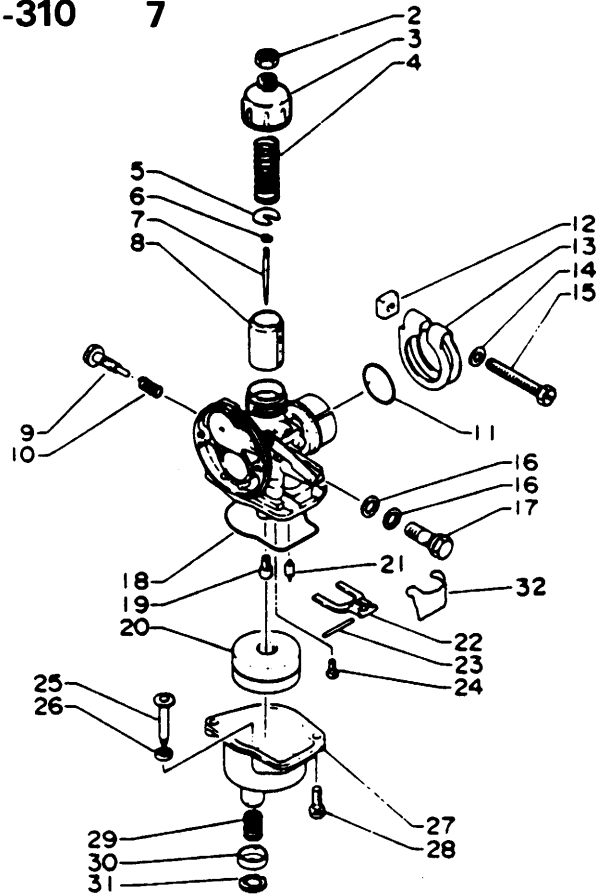


Bild	Artikelnummer	Anzahl	Bezeichnung
	<b>120000-28930</b>	1	CARBURETOR ASSY
2	+ 120111-04730	1	NUT
3	+ 120113-10211	1	COVER, TOP
4	+ 120114-01820	1	SPRING, THROTTLE
5	+ 120115-08020	1	SEAT, SPRING
6	+ 120116-10211	1	E-RING
7	+ 120103-28930	1	NEEDLE, JET W/CLIP
8	+ 120118-27430	1	VALVE, THROTTLE
9	+ 120159-04731	1	SCREW, IDLE SPEED
10	+ 120160-01321	1	SPRING
11	+ 120149-05730	1	GASKET
12	+ 120151-10210	1	NUT, OUTLET CLIP
13	+ 120146-10210	1	CLIP, OUTLET
14	+ 900600-00005	1	WASHER 5
15	+ 120147-08020	1	BOLT
16	+ 120130-10210	2	GASKET
17	+ 120131-00120	1	BOLT, BANJO
18	+ 120123-10210	1	GASKET, F. CHAMBER

Bild	Artikelnummer	Anzahl	Bezeichnung
19	+ 120122-08020	1	JET, MAIN
20	+ 120133-05730	1	FLOAT
21	+ 120120-27430	1	VALVE FLOAT
22	+ 120121-27430	1	ARM, FLOAT
23	+ 120132-10211	1	PIN, FLOAT ARM
24	+ 900220-04006	1	SCREW 4*6
25	+ 120177-03311	1	SHAFT, LINK
26	+ 120178-03311	1	O-RING
27	+ 120124-03311	1	CHAMBER, FLOAT
28	+ 900242-04012	2	SCREW 4*12
29	+ 120179-28930	1	SPRING, COIL
30	+ 120180-03311	1	COLLAR
31	+ 120181-03312	1	CLIP
32	+ 120182-27430	1	CLIP



# TECHNICAL INFORMATION

EINGEGANGEN

SUBJECT: Handle grip and relative parts  
RM-250, and RM-380

Number: 92-467 (1/4)

Issued: Jan. 31, 1992

RM-250 RM-310 RM-380		
Former	Current	
<p>178024-24330<sup>a</sup> 900500-0005 900560-00005 178024-07530<sup>b</sup> Nut Lock nut Throttle bracket</p> <p>900242-05030 178012-24330<sup>a</sup> 178012-07530<sup>b</sup> Screw Throttle lockout</p> <p>178110-05330 178070-24330<sup>a</sup> 178070-07530<sup>b</sup> Screw Spacer</p> <p>178013-24330<sup>a</sup> 178013-07530<sup>b</sup> 178048-05630 Throttle lockout spring Throttle wire holder</p> <p>610249-27030 Grip</p> <p>178043-06930 Throttle return spring</p> <p>178010-05630 Throttle control Colour: White or 178010-05631 Throttle control Colour: ECHO orange</p>	<p>351102-29430<sup>a</sup> 351102-42230<sup>b</sup> Handle grip assembly</p> <p>900238-05012 301200-29430<sup>a</sup> 301200-42230<sup>b</sup> Screw Hook band</p> <p>900253-04018 Screw, 3 pcs</p> <p>900500-00005 Nut</p> <p>900238-05025 Screw</p> <p>178043-42230 Throttle lockout spring</p> <p>178013-42230 Throttle return spring</p> <p>178010-42230 or 178010-42231* Throttle control Throttle control</p> <p>178012-42230 Throttle lockout</p> <p>Added ribs</p>	
<p>(Continued to next pages)</p>		

Above parts for RM-380 are current on RM-460.

<sup>a</sup> Parts for RM-250, and RM-310 which are equipped with 25 mm diameter of drive shaft housing.

<sup>b</sup> Parts for RM-380 which is equipped with 28 mm diameter of drive shaft housing.

\* Material changed and ribs added for reinforcement. This throttle control 178010-42231 is also current on RMA-2530, RM-250, RM-310, RM-380, and RM-460, and loop handle types of SRA-2190, SRM-2450, SRM-250E, SRM-2510, SRM-310, and SRM-3500.

TECHNICAL INFORMATION Number: 92-467 (4/4)

RM-250		RM-380	
Former		Current	
(Continued from previous pages)			
Above parts are also current on <b>RM-460</b> .			

RM-250		RM-310	
Former		Current	
(Continued from previous pages)			
Ignition switch 163400-42230 and Flexible shaft 610013-27630 are also current on <b>RM-380</b> and <b>RM-460</b> .			
Flexible cover 610209-27630 had been used on <b>RM-380</b> and <b>RM-460</b> before 610209-42230. Please refer to Technical Information Nr. 92-468.			



**ECHO**®

**Motorgeräte**

*die geh'n ran*