



Stand 19.02.2002

ERSATZTEILLISTE

**ECHO Motorsense
rückentragbar**

RMA-2530

ECHO-Motorgeräte
Vertrieb Deutschland GmbH
Otto-Schott-Str. 7

72555 Metzingen

Telefon 07123-1091
Telefax 07123-2589
<http://www.echo-shop.de>
email: info@echo-shop.de

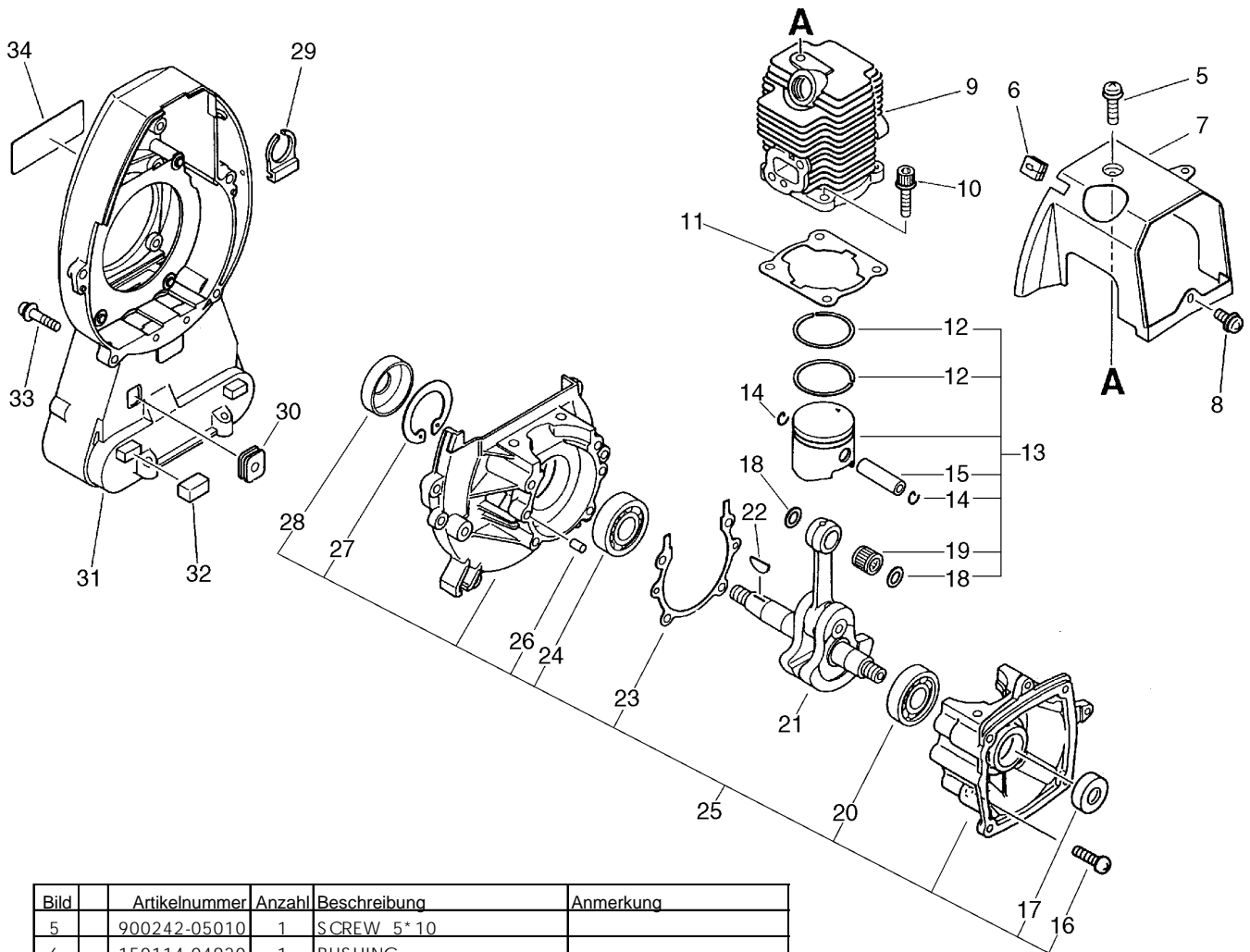


Bild	Artikelnummer	Anzahl	Beschreibung	Anmerkung
5	900242-05010	1	SCREW 5* 10	
6	150114-04920	1	BUSHING	
7	101514-48330	1	COVER, CYLINDER	
8	900242-04010	1	SCREW 4* 10	
9	101011-22330	1	CYLINDER	
10	900162-05020	4	BOLT, H.S. 5* 20	
11	101010-22331	1	GASKET, CYL. BASE	
13	100010-45430	1	PISTON	Sus. by 100000-45430
13	100000-45430	1	PISTON KIT	
12 +	100011-05330	2	RING, PISTON	
14 +	100015-04630	2	CIRCLIP, PISTON PIN	
15 +	100013-22330	1	PIN, PISTON	
18 +	100014-45430	2	SPACER, PISTON PIN	
19 +	100012-22330	1	BEARING, NEEDLE	
21	100100-48330	1	CRANKSHAFT ASSY	
22	100142-12330	1	KEY, WOODRUFF	
25	100200-22331	1	CRANKCASE SET	Sus. by 100204-22330
25	100204-22330	1	CRANKCASE KIT	
16 +	900242-05025	4	SCREW 5* 25	
17 +	100213-05530	1	OILSEAL	
20 +	900800-36001	1	BEARING, BALL 6001	
23 +	100242-22330	1	GASKET, CRANKCASE	
24 +	900810-36201	1	BEARING, BALL 6201	Sus. by 94035-36201
24 +	94035-36201	1	BEARING, BALL	
26 +	100215-03930	2	PIN, DOWEL	
27 +	900702-00032	1	CIRCLIP 32	
28 +	100212-03930	1	OILSEAL	
29	132112-45930	1	CLIP, FUEL PIPE	
30	150135-47330	1	GROMMET	
31	101511-48330	1	FAN COVER	Sus. by 101503-48330
31	101503-48330	1	COVER ASY. FAN	
32	131920-48330	2	CUSHION	
33	900242-05020	4	SCREW 5* 20	
34	890112-50730	1	LABEL, MODEL	

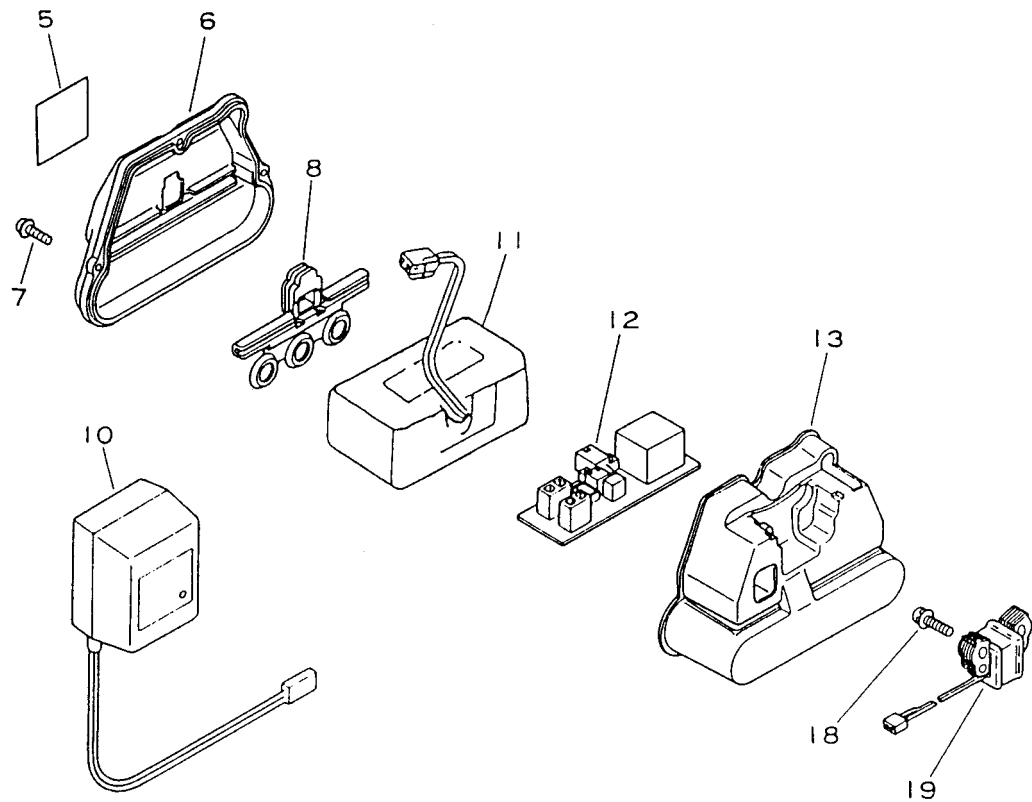


Bild	Artikelnummer	Anzahl	Beschreibung	Anmerkung
5	890060-48130	1	LABEL, CAUTION	
6	160056-48330	1	LID, CASE	Sus. by 160056-48331
6	160056-48331	1	LID, CASE	
7	900242-04014	3	SCREW 4*14	
8	160055-48130	1	CUSHION	
10	161300-50830	1	CHARGER	
11	160020-48330	1	BATTERY	
12	160042-48130	1	MODULE, CIRCUIT	Sus. by 160042-48132
12	160042-48131	1	MODULE, CIRCUIT	Sus. by 160042-48132
12	160042-48132	1	MODULE, CIRCUIT	
13	160054-48330	1	CUSHION	Sus. by 160054-48331
13	160054-48331	1	CUSHION	
18	900242-04018	2	SCREW 4*18	
19	161310-48130	1	COIL, CHARGER	

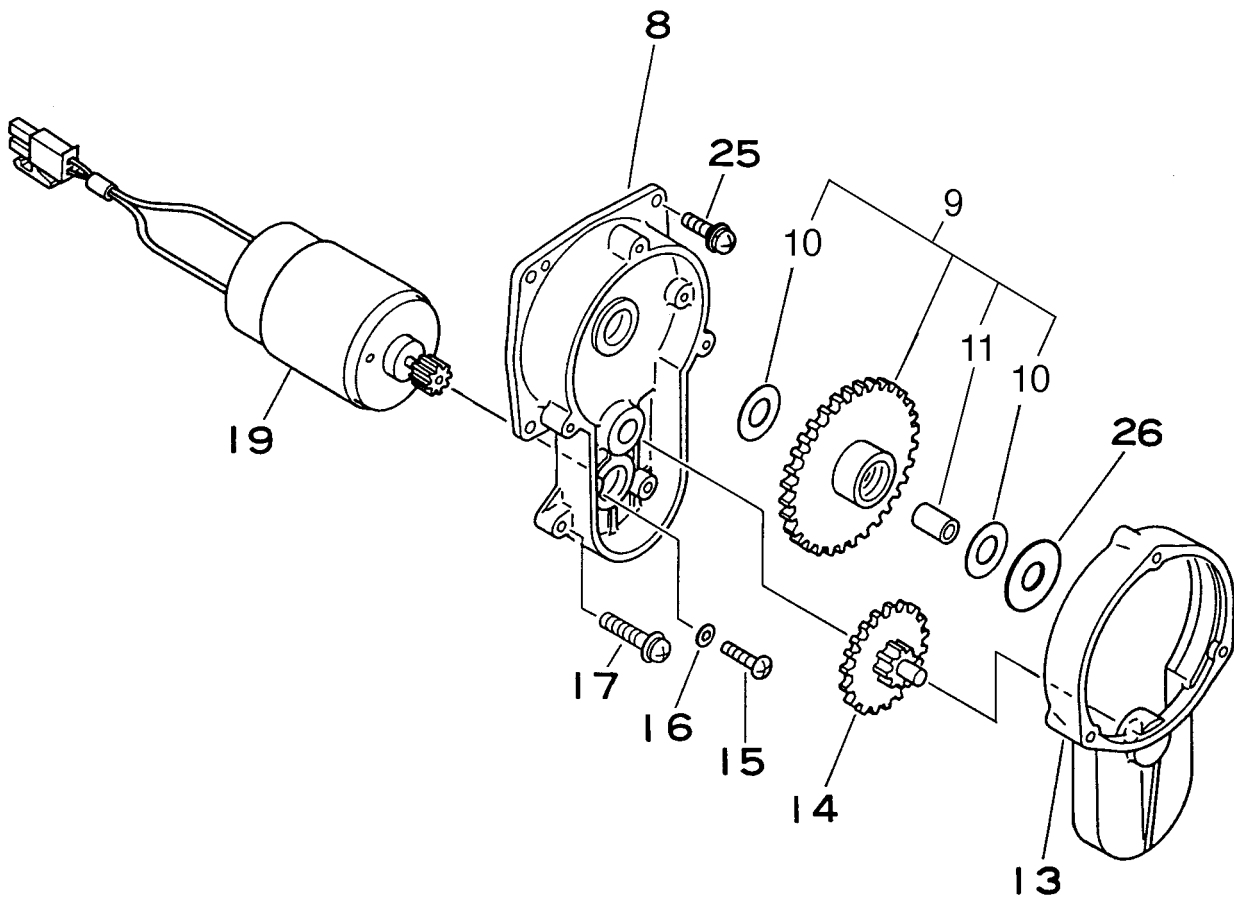


Bild	Artikelnummer	Anzahl	Beschreibung	Anmerkung
8	100303-48330	1	CASE, STARTER	
9	160306-47330	1	GEAR ASSY, SPUR	
10	+ 161321-11910	2	WASHER, THRUST	
11	+ 160615-47330	1	CLUTCH, ONE WAY	
13	160506-11910	1	LID ASSY, STARTER CASE	
14	160305-11910	1	GEAR ASSY, SPUR	
15	900220-03012	2	SCREW (+ -SR 3*12)	
16	900603-00003	2	WASHER 3	
17	900242-04020	2	SCREW 4*20	
19	160301-48130	1	STARTER MOTOR ASSY	
25	900242-04014	4	SCREW 4*14	
26	175117-14330	1	WASHER	

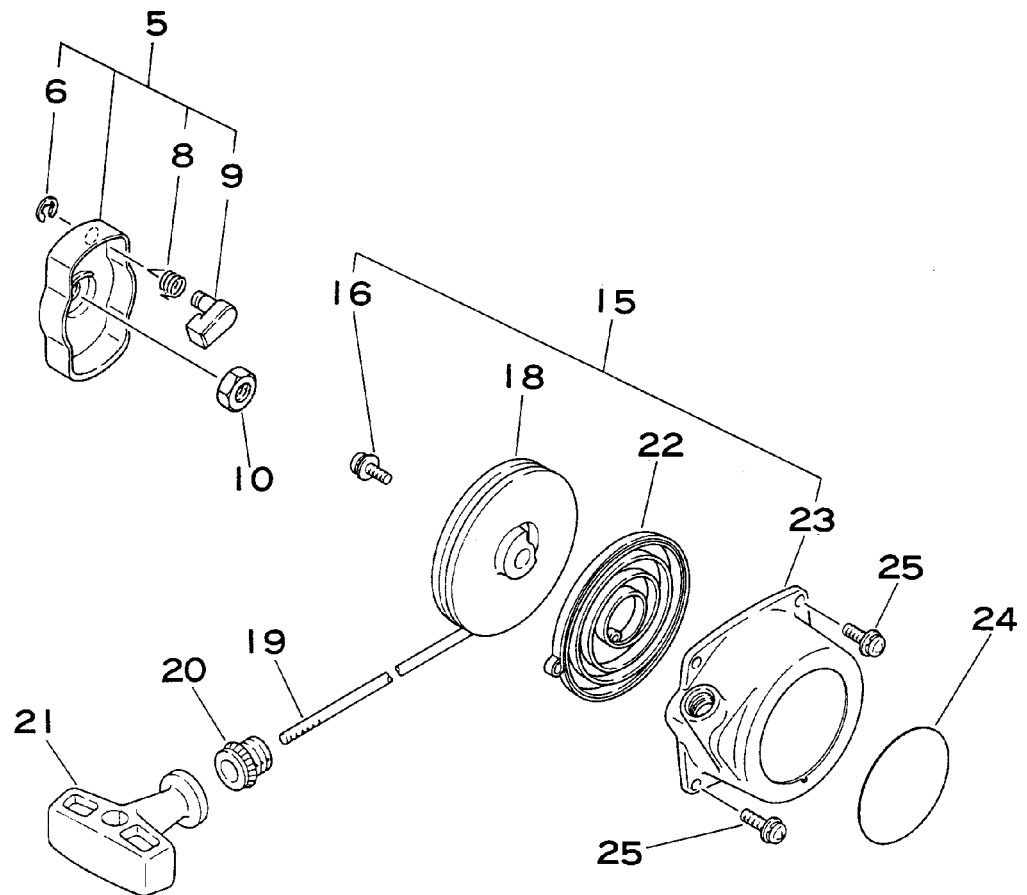


Bild	Artikelnummer	Anzahl	Beschreibung	Anmerkung
5	177202-42030	1	PAWL ASSY, STARTER	Sus. by 177202-44330
5	177202-44330	1	PAWL ASSY, STARTER	
6 +	900700-00004	1	E-RING 4	Nur mit 177202-42030
8 +	177234-42030	1	SPRING, RETURN	
9 +	177218-42030	1	PAWL, STARTER	Nur mit 177202-42030
9 +	177218-44330	1	PAWL, STARTER	Nur mit 177218-44330
10	900502-00008	1	NUT 8 (3N)	
15	177200-47331	1	STARTER ASSY	
16 +	177236-44330	1	SCREW	
18 +	177215-44330	1	DRUM, STARTER	
19 +	177226-05530	1	ROPE, STARTER	
20 +	177227-42030	1	GUIDE, ROPE	
21 +	177228-06530	1	GRIP, STARTER	
22 +	177220-42030	1	SPRING, REWIND	
23 +	177232-47331	1	CASE, STARTER	
24	890118-44330	1	LABEL, ECHO	
25	900242-04030	3	SCREW 4*30	

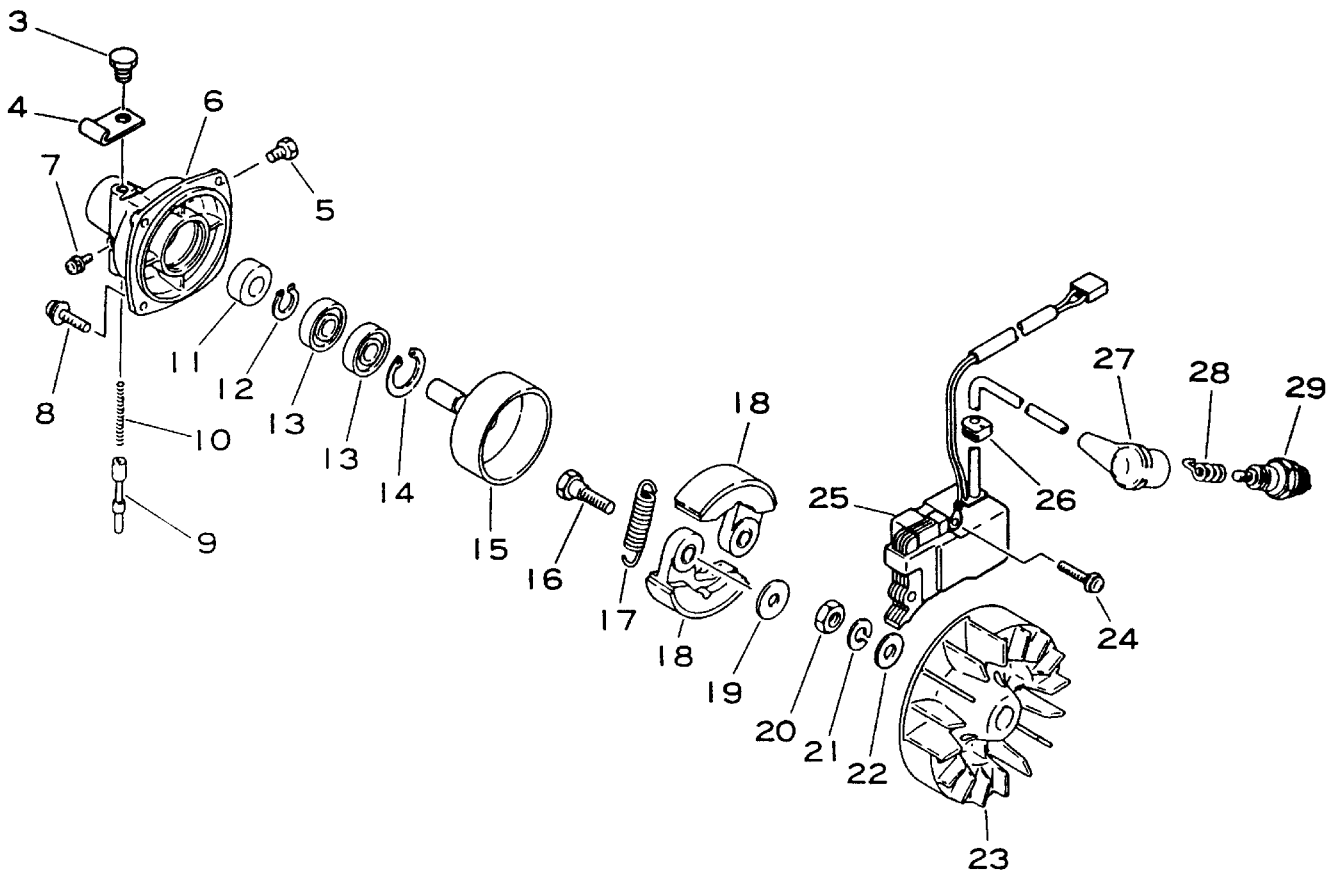


Bild	Artikelnummer	Anzahl	Beschreibung	Anmerkung
3	610250-45930	1	BOLT	
4	162111-07130	1	CLIP	
5	900100-06008	1	BOLT 6*8	
6	610223-27631	1	FLANGE, D.S. HOUSING	
7	900242-04008	1	SCREW 4*8	Sus. by 900241-04008
7	900241-04008	1	SCREW 4*8	
8	900242-05016	4	SCREW 5*16	
9	610252-45930	1	LOCKPIN	Sus. by 610452-45931
9	610252-45931	1	LOCKPIN	
10	610251-45930	1	SPRING	
11	175313-20430	1	RING, FELT	
12	900701-00012	1	CIRCLIP 12	
13	900808-06001	2	BEARING, BALL 6001VV	
14	900702-00028	1	CIRCLIP 28	
15	175005-21532	1	DRUM, CLUTCH	Sus. by 175005-57430
15	175005-57430	1	DRUM, CLUTCH	
16	175046-22332	2	BOLT, CLUTCH	
17	175018-05535	1	SPRING, CLUTCH	
18	175009-05532	2	SHOE, CLUTCH	
19	175048-05530	2	WASHER (I)	
20	900502-00008	1	NUT 8 (3N)	
21	900605-00008	1	WASHER, SPRING 8	
22	900600-00008	1	WASHER 8	
23	156800-48330	1	FLYWHEEL	
24	900242-04020	2	SCREW 4*20	
25	156626-48330	1	COIL, IGNITION	
26	152112-05730	1	BUSHING	
27	159012-03433	1	CAP, SPARK PLUG	
28	159011-03432	1	COIL, SPARK PLUG CAP	
29	159010-10630	1	PLUG, SPARK (BPM-7A)	

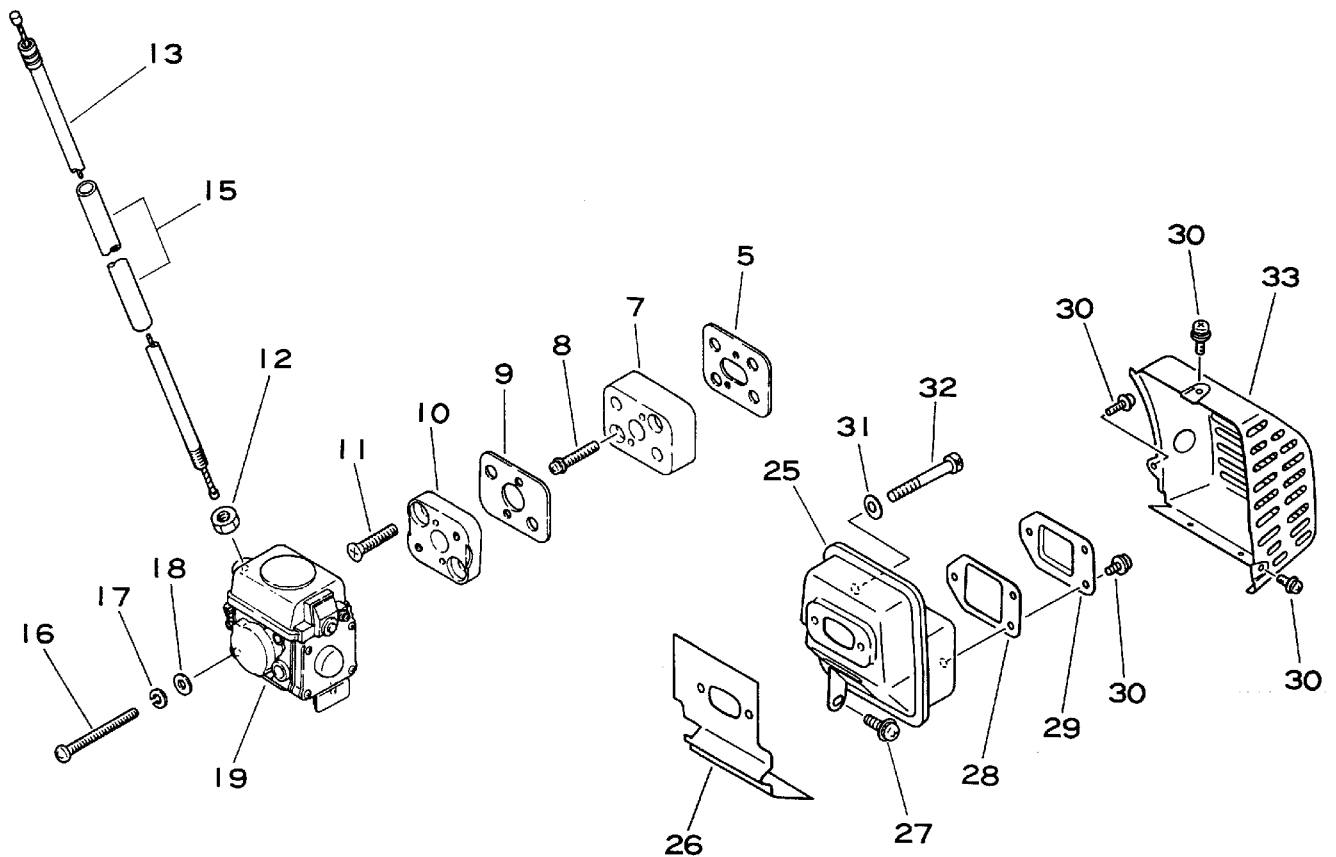


Bild	Artikelnummer	Anzahl	Beschreibung	Anmerkung
5	130010-22331	1	GASKET	
7	130007-22330	1	INSULATOR	
8	900242-05025	2	SCREW 5*25	
9	130016-22331	1	GASKET	
10	130026-40230	1	PLATE	
11	900212-05020	2	SCREW 5*20	
12	178021-05530	1	LOCKNUT	
13	178004-45630	1	WIRE THROTTLE	
15	178016-47430	1	TUBE	
16	900220-04045	2	SCREW + -SR 4*45	
17	900605-00004	2	WASHER, SPRING 4	
18	900602-00004	2	WASHER 4	
19	123000-48330	1	CARBURETOR ASSY	
25	145610-48431	1	MUFFLER, EXHAUST	Sus. by 145610-48432
25	145610-48432	1	MUFFLER, EXHAUST	
26	145510-45431	1	GASKET, MUFFLER	
27	900242-05010	1	SCREW 5*10	
28	145866-27231	1	GASKET, MUFFLER LID	Nur mit 145610-48431
29	145613-40230	1	LID, MUFFLER	Nur mit 145610-48431
30	900242-04010	3	SCREW 4*10	Nur mit 145610-48431
30	900242-04010	3	SCREW 4*10	
31	900600-00005	2	WASHER 5	
32	900105-05045	2	BOLT, H.S. 5*45	
33	145621-48430	1	COVER, MUFFLER	

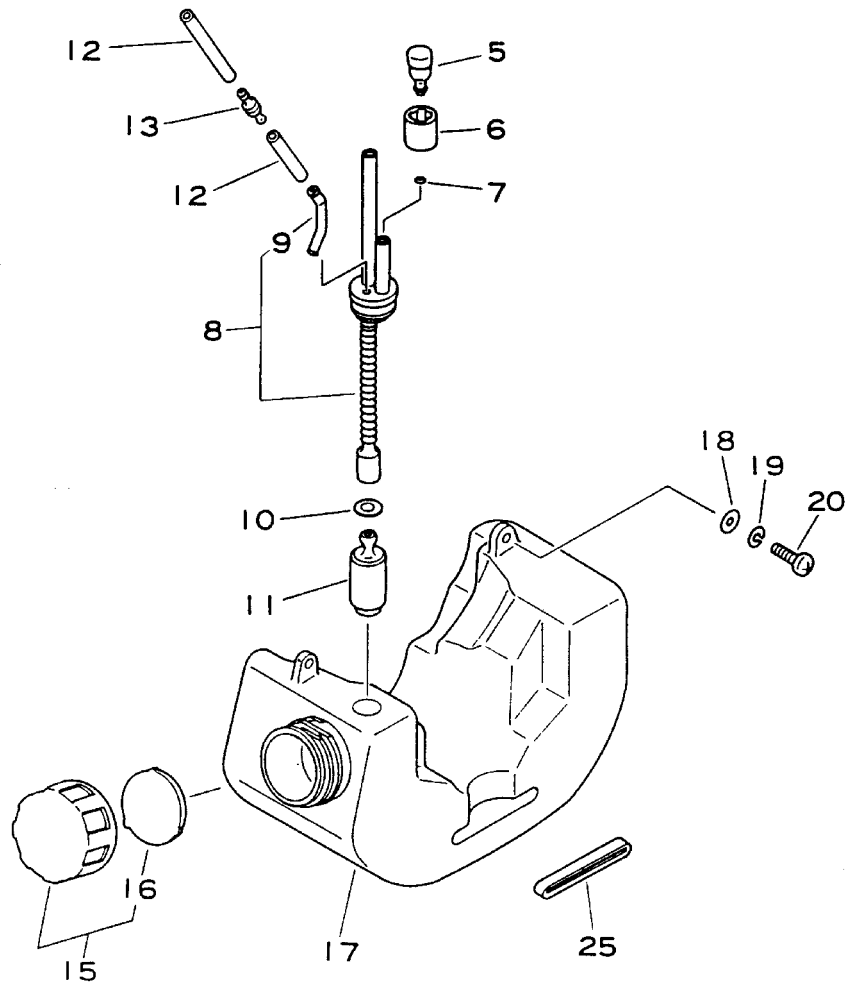


Bild	Artikelnummer	Anzahl	Beschreibung	Anmerkung
5	131300-40630	1	VALVE, CHECK	Sus. by 131300-56430
5	131300-56430	1	VALVE, CHECK	
6	131328-40630	1	COVER, VENT	
7	130111-00530	1	CLIP	
8	132002-47330	1	PIPE, FUEL	
9	+ 132021-40630	1	CONNECTOR, PIPE	
11	131200-21330	1	STRAINER, FUEL	Sus. by 131205-19830
10	+ 900603-00005	1	WASHER 5	Nur mit 131200-21330
11	131205-50430	1	STRAINER, FUEL	Sus. by 131205-19830
11	131205-19830	1	STRAINER, FUEL	
12	132716-45630	1	PIPE, FUEL	Sus. by 132010-45730
12	132010-45730	2	PIPE 3* 6* 25	
13	132001-45730	1	VALVE, CHECK	
15	131004-40930	1	CAP ASSY. FUEL TANK	Sus. by 131004-55830
15	131004-55830	1	CAP ASSY. FUEL TANK	
16	+ 131016-40930	1	GASKET, FUEL CAP	Nur mit 131004-40930
16	+ 131016-55830	1	GASKET, FUEL CAP	Nur mit 131004-55830
17	131005-48330	1	FUEL, TANK	
18	900603-00005	2	WASHER 5	
19	900605-00005	2	WASHER, SPRING 5	
20	900220-05016	2	SCREW 5*16	
25	131920-28230	1	CUSHION, FUEL TANK	

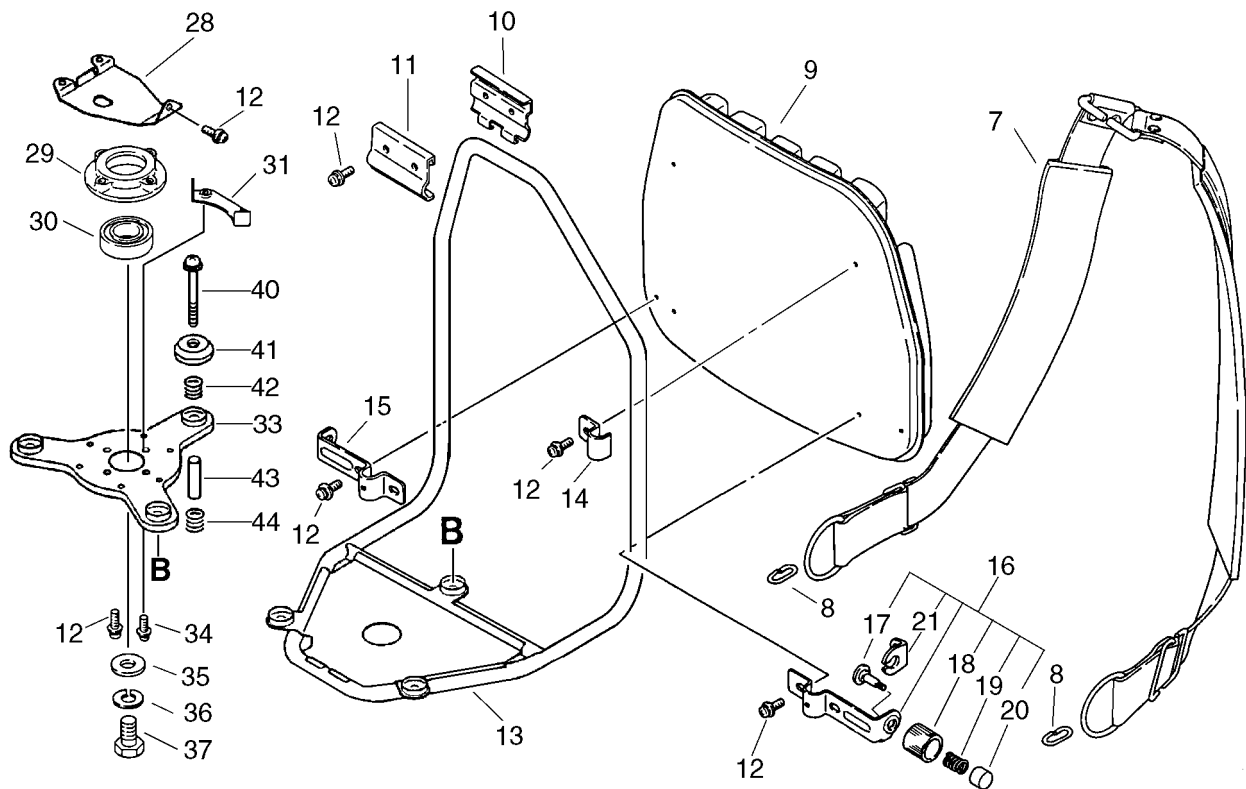


Bild	Artikelnummer	Anzahl	Beschreibung	Anmerkung
7	300300-27630	1	HARNESS, BACKPACK	Sus. by 300300-50130
7	300300-50130	1	HARNESS, BACKPACK	
8	300319-01611	2	RING, HARNESS	
9	300105-27630	1	CUSHION	
10	300610-22030	1	PLATE, KNAPSACK BAND	
11	300616-22030	1	PLATE, KNAPSACK BAND	
12	900242-05012	14	SCREW 5*12	
13	300005-48430	1	FRAME, BACKPACK	
14	300220-20430	2	BRACKET, CUSHION	
15	300226-27630	1	PLATE (L)	Sus. by 300226-27631
15	300226-27631	1	PLATE (L)	
16	300200-27630	1	BRACKET ASSY	
17	+ 300715-27630	1	SHAFT	
18	+ 300717-27630	1	GUARD	
19	+ 300713-27630	1	SPRING	
20	+ 300711-27630	1	BUTTON	
21	+ 300716-27630	1	PLATE	
28	104908-48430	1	BRACKET	
29	699226-05430	1	HOLDER, BEARING	
30	900814-06202	1	BEARING, BALL 6202	
31	104931-27630	1	STOPPER	
33	104807-48430	1	PLATE, SWIVEL	
34	900242-04010	2	SCREW 4*10	
35	900600-00010	1	WASHER 10	
36	900605-00010	1	WASHER, SPRING 10	
37	900100-10020	1	BOLT 10*20	
40	900242-05040	3	SCREW 5*40	
41	104942-47430	3	SEAT, SPRING	
42	104940-47430	3	SPRING	
43	104941-48430	3	COLLAR	
44	104940-48230	3	SPRING	

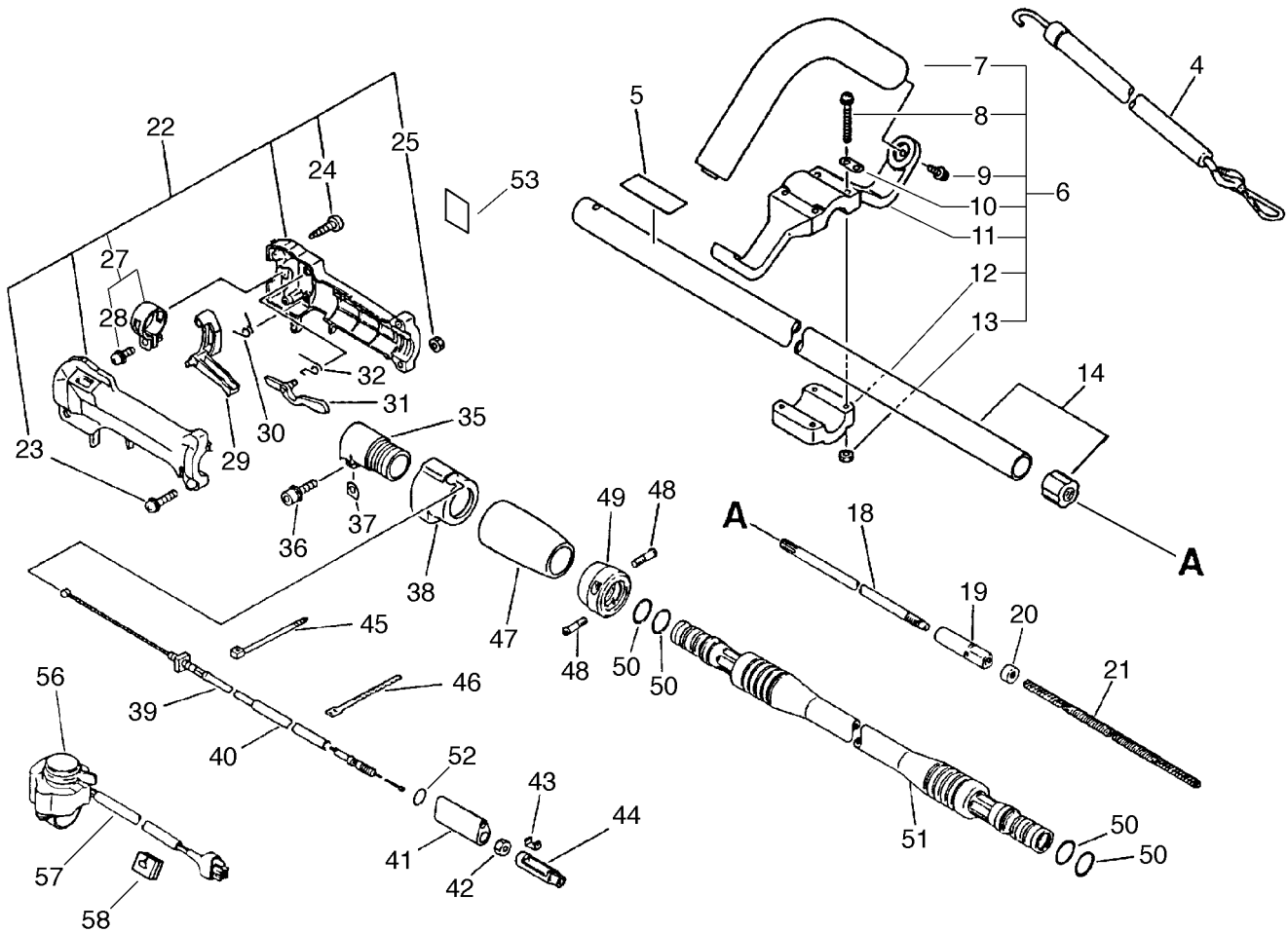


Bild	Artikelnummer	Anzahl	Beschreibung	Anmerkung	Bild	Artikelnummer	Anzahl	Beschreibung	Anmerkung
4	300500-07131	1	ROPE, ELASTIC		30	178043-42230	1	SPRING, THR. RETURN	
5	890160-46730	1	LABEL, CAUTION		31	178012-42230	1	LOCKOUT, THROTTLE	
6	351201-07132	1	HANDLE ASSY, LOOP		32	178013-42230	1	SPRING, THR. LOCKOUT	
7 +	351205-07130	1	HANDLE		35	610248-29430	1	COUPLING, MAIN PIPE	
8 +	900242-05035	4	SCREW 5*35		36	900162-05020	1	BOLT, H.S. 5*20	
9 +	900242-05014	2	SCREW 5*14		37	610239-04130	1	WASHER, SHIM	
10 +	300515-07130	1	PLATE, ROPE SET		38	610275-42230	1	BOOT, CONNECTOR	
11 +	351232-07131	1	BRACKET, HANDLE 25		39	178002-42230	1	WIRE, THROTTLE	
12 +	351225-07130	1	BRACKET, HANDLE (25)		40	178127-42230	1	TUBE	
13 +	900500-00005	4	NUT 5		41	178128-05630	1	SLEEVE	
14	610206-27630	1	HOUSING ASS'Y, D.SET	Sus. by 610206-27631	42	178021-05530	1	LOCKNUT	
14	610206-27631	1	HOUSING ASS'Y, D.SET		43	178049-06630	1	CONNECTOR	
18	610011-29430	1	SHAFT, DRIVE		44	178114-05630	1	CONNECTOR, THR. WIRE	
19	610012-07132	1	CONNECTOR, D. SHAFT		45	178121-10050	1	BAND	
20	610020-07130	1	ADAPTER, FLX. SHAFT	Sus. by 610020-07131	46	178121-45930	1	BAND	
20	610020-07131	1	ADAPTER, FLX. SHAFT		47	610276-27631	1	COVER	
21	610013-27630	1	SHAFT, FLEXIBLE(HARD)		48	610257-27630	2	BOLT	
22	351102-29430	1	GRIP ASSY, F-HANDLE		49	610260-27630	1	SPACER, D/S HOUSING	
23 +	900238-05025	1	SCREW 5*25		50	900720-00018	4	O-RING 18	
24 +	900253-04018	3	SCREW TAPPING 4*18		51	610209-27630	1	COVER, FLEXIBLE	
25 +	900500-00005	1	NUT 5		52	178133-22330	1	RING	
27 +	301200-29430	1	BAND ASSY		53	890124-07130	1	LABEL, CAUTION	
28 +	900238-05012	1	SCREW 5*12		56	163300-50730	1	SWITCH, STARTER	
29	178010-42231	1	CONTROL, THROTTLE	Sus. by 178010-42232	57	156111-48230	1	TUBE	
29	178010-42232	1	CONTROL, THROTTLE		58	150114-50830	1	GROMMET	

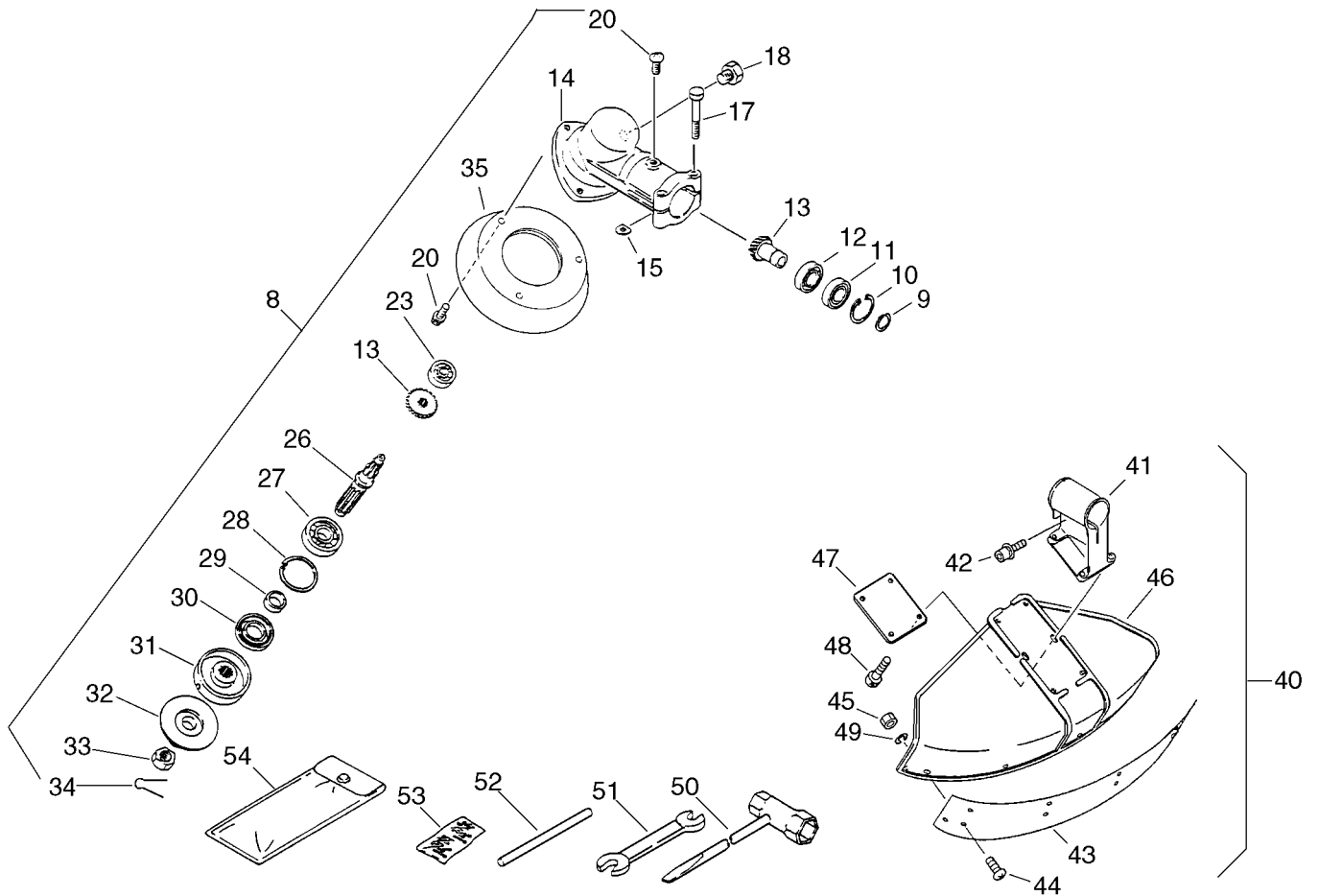


Bild	Artikelnummer	Anzahl	Beschreibung	Anmerkung	Bild	Artikelnummer	Anzahl	Beschreibung	Anmerkung
8	610400-27230	1	HOUSING ASS'Y. GEAR		34	900300-20022	1	PIN. SPLIT 2*22	
9	900706-00010	1	CIRCLIP 10		35	610443-22830	1	PLATE. GUARD (WH)	
10	900702-00022	1	CIRCLIP 22		40	699000-50730	1	SHIELD ASSY	Sus. by 699000-44730
11	900858-06900	1	BEARING BALL 6900Z		40	699000-44730	1	SHIELD ASSY	
12	900855-06900	1	BEARING BALL 6900		41	699011-27230	1	BRACKET. SHIELD	
13	610300-22831	1	GEAR SET		42	900142-05025	2	BOLT 5*25 (W/W.SW)	
14	610410-22830	1	CASE. GEAR		43	699013-27230	1	PLATE. SHIELD	
15	610239-04130	2	WASHER. SHIM		44	900242-05012	4	SCREW 5*12	Nur mit 699000-44730
17	900142-05028	2	BOLT 5*28 (W/W.SW)		44	900242-05018	4	SCREW 5*18	Nur mit 699000-50730
18	900100-08008	1	BOLT 8*8	Sus. by 610434-50031	45	900500-00005	4	NUT 5	
18	610434-50030	1	BOLT 8*6	Sus. by 610434-50031	46	699010-29430	1	SHIELD. BLADE	Sus. by 699010-54430
18	610434-50031	1	BOLT 8*8		46	699010-54430	1	SHIELD. BLADE	
20	900242-05010	4	SCREW 5*10		47	699015-52130	1	PLATE. SHIELD	Nur mit 699000-50730
23	900810-00626	1	BEARING BALL 626		48	900242-05012	4	SCREW 5*12	Nur mit 699000-44730
26	610310-40830	1	SHAFT. P.T.O		48	900242-05014	4	SCREW 5*14	Nur mit 699000-50730
27	900800-06000	1	BEARING BALL 6000		49	900603-00005	4	WASHER 5	Nur mit 699000-50730
28	900702-00026	1	CIRCLIP 26		50	895410-08030	1	WRENCH. W/S. DRIVER	
29	610315-22830	1	SPACER		51	895112-00330	1	SPANNER 8*10	
30	610413-22830	1	OIL SEAL		52	897518-01131	1	LOCKING TOOL	
31	610313-22830	1	PLATE. ADAPTER (U)		53	898502-01130	1	PIN 2*22 (W/POUCH)	
32	610314-27230	1	PLATE. ADAPTER		54	898510-39130	1	BAG. TOOL	
33	900511-00010	1	NUT 10 (L-H)						

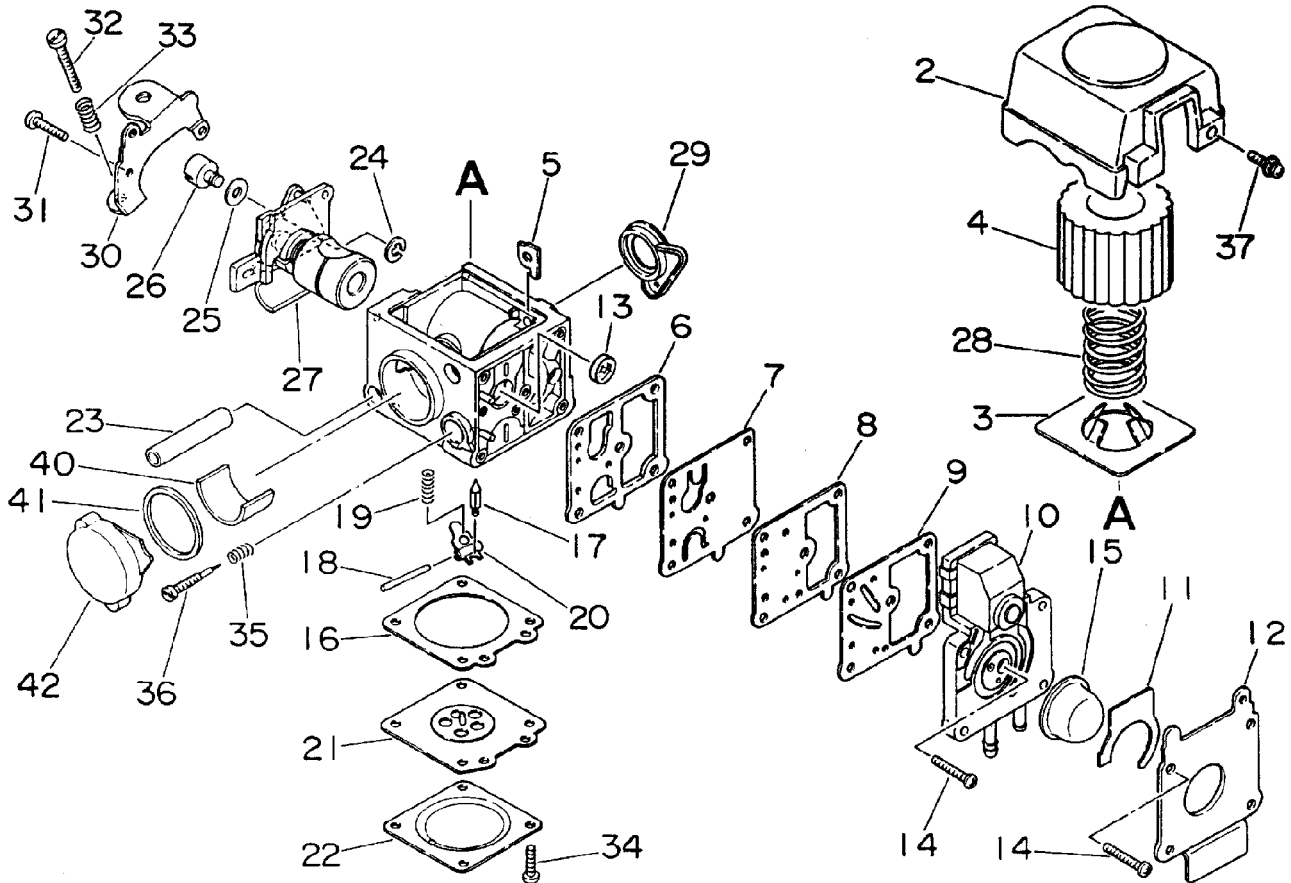


Bild	Artikelnummer	Anzahl	Beschreibung	Anmerkung
	123000-48330	1	CARBURETOR ASSY	
2	+ 130313-26030	1	COVER, AIR CLEANER	
3	+ 130311-26030	1	PLATE, CLEANER	
4	+ 130310-26030	1	FILTER, AIR	
5	+ 123157-26030	1	PLATE, MOUNT, SLEEVE	
6	+ 123125-26030	1	GASKET, PUMP	
7	+ 123112-26030	1	DIAPHRAGM, PUMP	
8	+ 123160-26030	1	PLATE, PUMP	
9	+ 123159-26030	1	GASKET, PLATE	
10	+ 123124-26030	1	COVER, PUMP	
11	+ 123162-26030	1	GASKET, OVERFLOW	
12	+ 123163-26030	1	BRACKET, PRIMER PUMP	
13	+ 123126-10631	1	SCREEN, INLET	
14	+ 123110-26030	5	SCREW, PUMP COVER	
15	+ 123181-40630	1	PUMP, PRIMER	
16	+ 123140-03930	1	GASKET, M. DIAPHRAGM	
17	+ 123137-19830	1	VALVE, INLET NEEDLE	
18	+ 123138-03930	1	PIN, METERING LEVER	
19	+ 123122-03930	1	SPRING, METER LEVER	
20	+ 123123-03930	1	LEVER, METERING	
21	+ 123141-03930	1	DIAPHRAGM, METERING	
22	+ 123142-03930	1	COVER, M. DIAPHRAGM	
23	+ 123158-26030	1	SLEEVE, MOUNTING	
24	+ 123173-07930	1	CLIP	
25	+ 123149-26030	1	WASHER	
26	+ 123172-26030	1	SWIVEL	
27	+ 123116-40030	1	VALVE, THROTTLE	
28	+ 130316-26030	1	SPRING, FILTER	
29	+ 123143-40030	1	RING, PACKING	
30	+ 123128-26030	1	BRACKET, CABLE	
31	+ 123114-26030	2	SCREW	
32	+ 123134-40030	1	SCREW, IDLE ADJUST	
33	+ 123133-26030	1	SPRING, IDLE ADJUST	
34	+ 123144-26030	4	SCREW	
35	+ 123119-26030	1	SPRING, H.S. NEEDLE	
36	+ 123118-24430	1	NEEDLE, IDLE	
37	+ 123130-26030	2	SCREW	
40	+ 123147-40230	1	FILTER, WICK	
41	+ 123175-26030	1	GASKET, INTAKE CAP	
42	+ 123176-40030	1	CAP, INTAKE	



ECHO®

Motorgeräte

die geh'n ran