

ERSATZTEILLISTE

ECHO Motorsense SRM-200BE

ECHO-Motorgeräte
Vertrieb Deutschland GmbH
Otto-Schott-Str. 7

72555 Metzingen

Telefon 07123-1091
Telefax 07123-2589
<http://www.echo-shop.de>
email: info@echo-shop.de

SRM-200BE 1

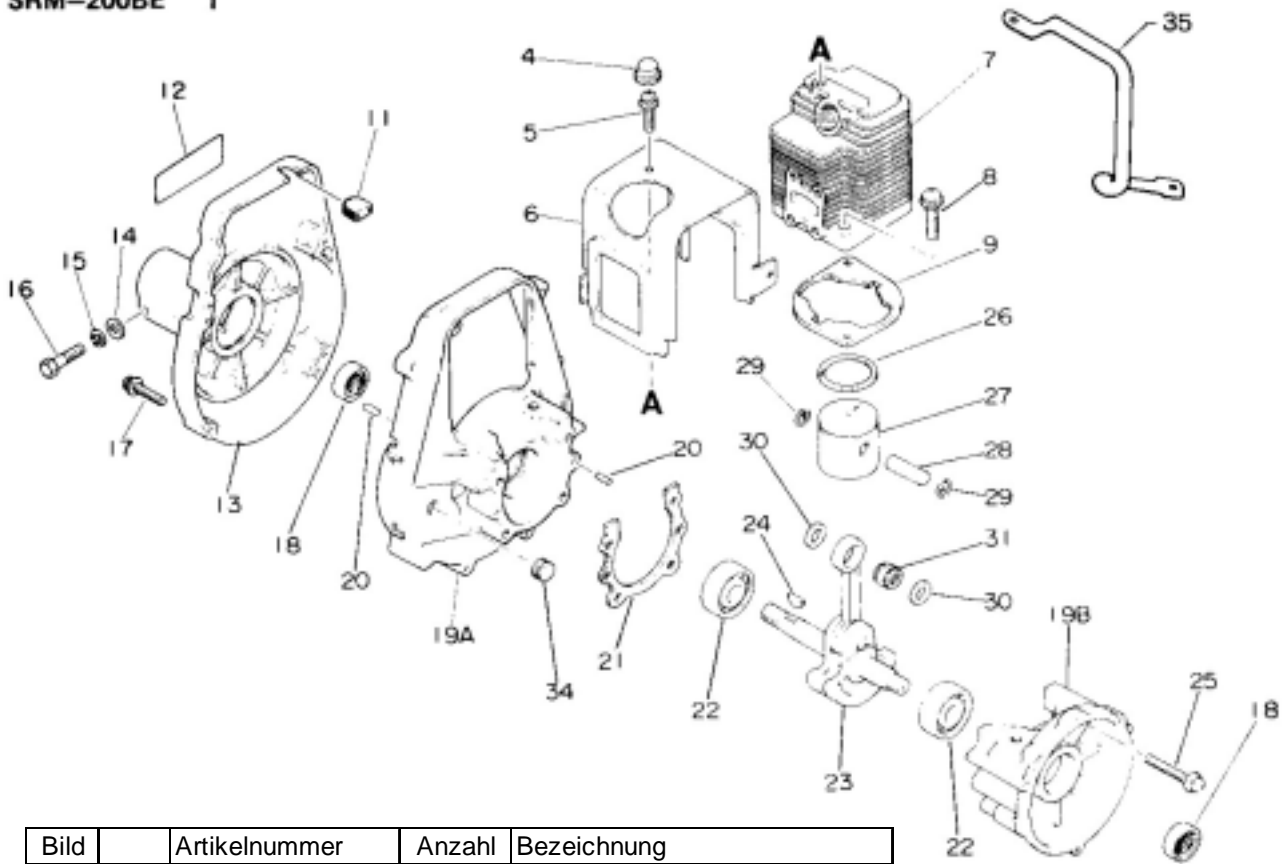


Bild		Artikelnummer	Anzahl	Bezeichnung
4		880516-09220	1	CAP, SCREW
5		900242-05014	1	SCREW 5*14
6		101514-09320	1	COVER, CYLINDER
7		101011-09320	1	CYLINDER
8		900242-06020	2	SCREW 6*20
9		101010-04920	1	GASKET, CYL. BASE
11		101538-07420	1	PLUG
12		890115-24330	1	LABEL
13		101511-06520	1	COVER, FAN (BS)
14		900600-00005	1	WASHER 5
15		900605-00005	1	WASHER, SPRING 5
16		900151-05025	1	BOLT 5*25
17		900242-04020	4	SCREW 4*20
18		100213-05530	2	OILSEAL
19		100200-07420	1	CRANKCASE SET
20	+	100215-03930	4	PIN, DOWEL
21		100242-04920	1	GASKET, CRANKCASE
22		900810-36201	2	BEARING, BALL 6201
23		100100-07420	1	CRANKSHAFT ASSY
24		100142-00310	1	KEY, WOODRUFF (M)
25		900242-05030	4	SCREW 5*30
26		100011-05330	1	RING, PISTON
27		100010-06520	1	PISTON
28		100013-10210	1	PIN, PISTON
29		100015-04630	2	CIRCLIP, PISTON PIN
30		100014-06520	2	SPACER, PISTON PIN
31		100113-05930	1	BEARING, NEEDLE
32		100223-07320	1	PLUG
35		159912-41330	1	GUARD

SRM-200BE 2

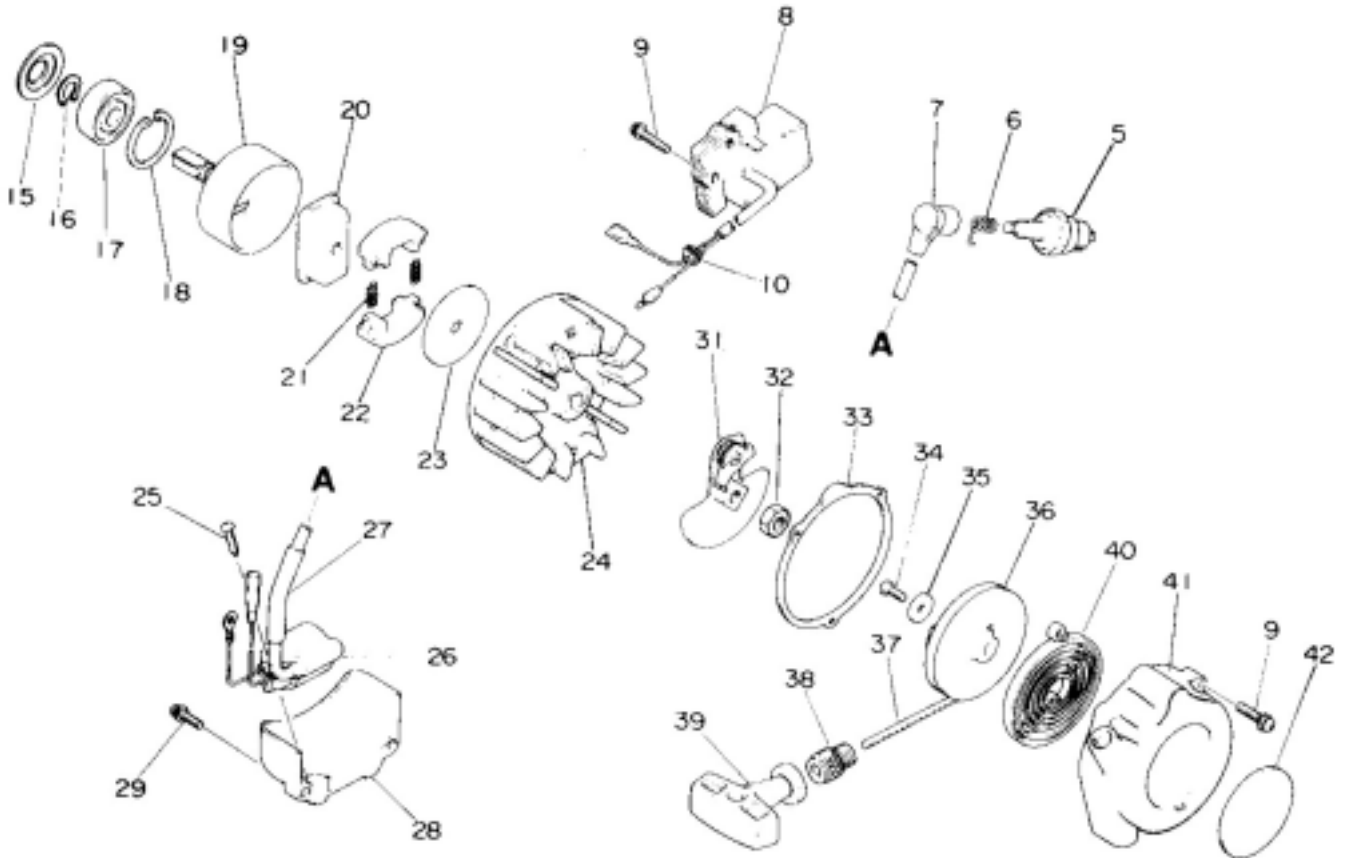


Bild	Artikelnummer	Anzahl	Bezeichnung
5	159017-10130	1	PLUG, SPARK
6	159011-03432	1	COIL, SPARK PLUG CAP
7	159012-03433	1	CAP, SPARK PLUG
8	156601-07421	1	C.D. IGNITION MODULE
9	900242-04020	4	SCREW 4*20
10	156114-02310	1	GROMMET
15	175053-04920	1	STOPPER
16	900701-00012	1	CIRCLIP 12
17	900819-36201	1	BEARING, BALL 6201
18	900702-00032	1	CIRCLIP 32
19	175010-04920	1	DRUM, CLUTCH
20	175016-04920	1	HUB, CLUTCH
21	175018-05130	2	SPRING, CLUTCH
22	175009-05130	2	SHOE, CLUTCH
23	175019-04920	1	PLATE, CLUTCH
24	156800-07420	1	FLYWHEEL
25	900249-04016	2	SCREW 4*16
26	156626-09420	1	COIL, IGNITION
27	156611-09420	1	TUBE
28	159315-09420	1	COVER, IGNITION COIL
29	900242-04014	2	SCREW 4*14
31	177305-04920	1	PAWL ASS'Y, STARTER
32	900502-00008	1	NUT 8 (3N)
33	100615-04920	1	GASKET, STARTER
*	177200-07421	1	STARTER ASS'Y (BS)
34	+ 900241-04010	1	SCREW 4*10
35	+ 177214-20430	1	WASHER
36	+ 177215-04920	1	DRUM, STARTER
37	+ 177226-03930	1	ROPE, STARTER
38	+ 177227-05330	1	GUIDE, ROPE
39	+ 177228-06530	1	GRIP, STARTER
40	+ 177220-06530	1	SPRING, REWIND
41	+ 177209-07420	1	CASE, STARTER (BS)
42	890112-26730	1	LABEL, ECHO

SRM-200BE 3

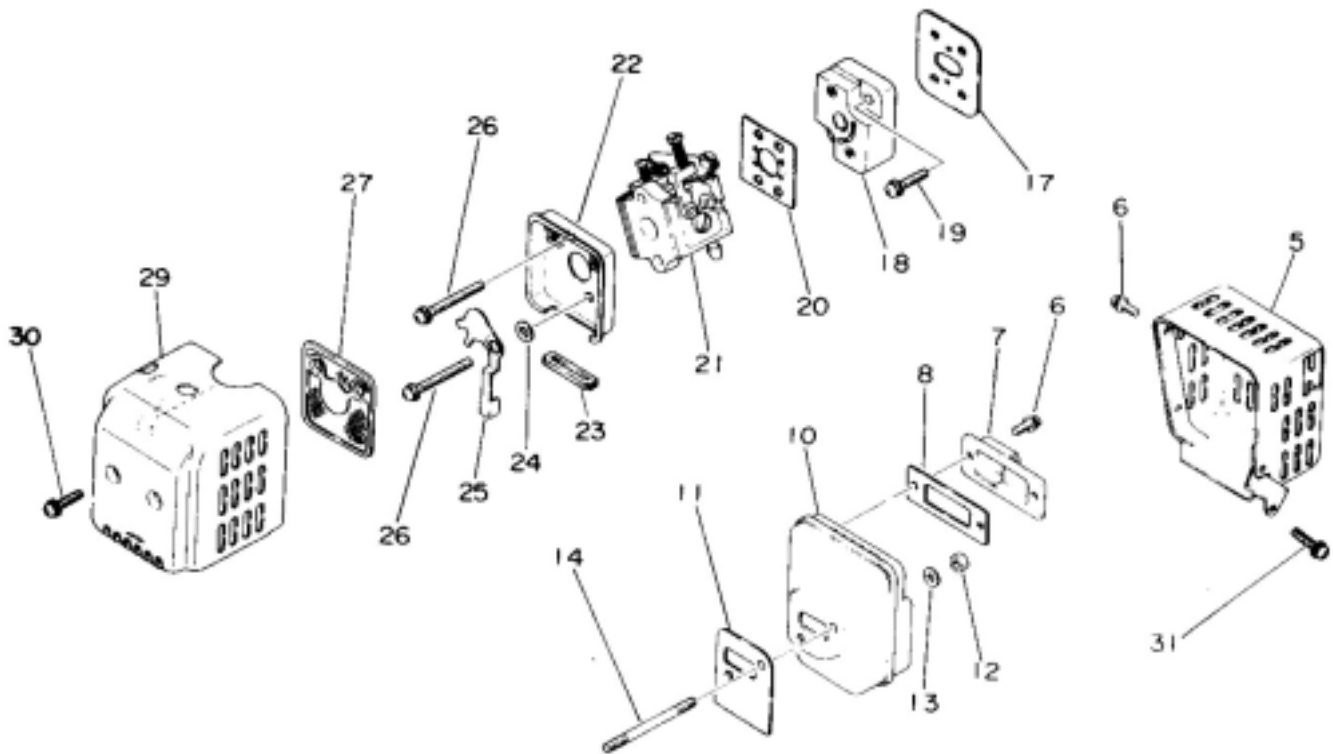


Bild	Artikelnummer	Anzahl	Bezeichnung
5	145871-09220	1	COVER, MUFFLER (BL)
6	900242-04010	3	SCREW 4*10
7	145809-06520	1	LID, MUFFLER
8	145866-28430	1	GASKET, MUFFLER LID
10	145806-09220	1	MUFFLER (SAM.BL)
11	+ 145510-09220	1	GASKET, MUFFLER
12	433020-00830	2	LOCKNUT 5
13	900603-00005	2	WASHER 5
14	101014-00560	2	STUD, MUFFLER
17	130010-09220	1	GASKET
18	130007-09320	1	INSULATOR
19	900243-05020	2	SCREW 5*20
20	130016-09220	1	GASKET, CARBURETOR
21	123000-09320	1	CARBURETOR ASSY
22	130301-09220	1	CASE, AIR CLEANER
23	+ 178810-21630	1	GROMMET, CHOKE
24	178516-00830	1	SPACER
25	178515-09220	1	SHUTTER, CHOKE
26	900242-05040	2	SCREW 5*40
27	130310-06530	1	FILTER, AIR
29	130308-09220	1	COVER, AIR CLEANER
30	900242-04018	2	SCREW 4*18
31	900242-04014	1	SCREW 4*14

SRM-200BE 4

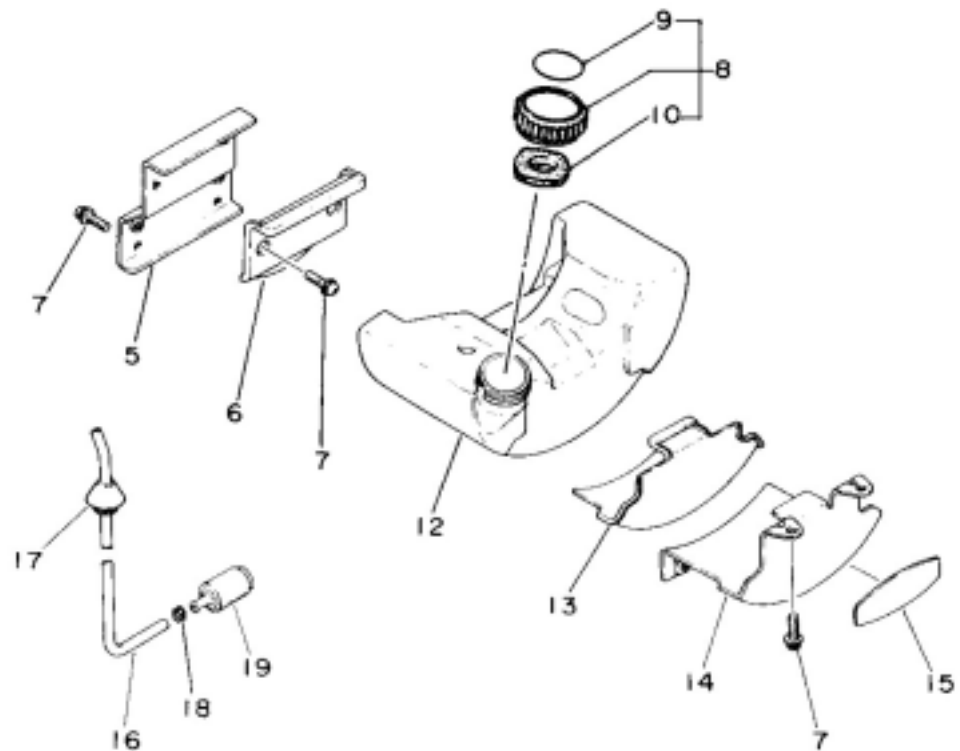


Bild		Artikelnummer	Anzahl	Bezeichnung
5		131910-09220	1	BRACKET, FUEL TANK
6		131920-09220	1	CUSHION, FUEL TANK
7		900242-04014	6	SCREW 4*14
8		131600-22130	1	CAP ASS'Y, FUEL TANK
9	+	890154-15130	1	LABEL, FUEL MIX
10	+	131314-04930	1	VALVE, CHECK
12		131010-09220	1	TANK, FUEL
13		131924-09220	1	CUSHION
14		131918-09220	1	BRACKET, F.TANK (BS)
15		890118-24030	1	LABEL, ECHO
16		132007-09220	1	PIPE, FUEL W/GROMMET
17	+	132115-04920	1	GROMMET
18		437411-19830	1	CLIP, OIL PIPE
19		131205-07320	1	STRAINER, FUEL

SRM-200BE 5

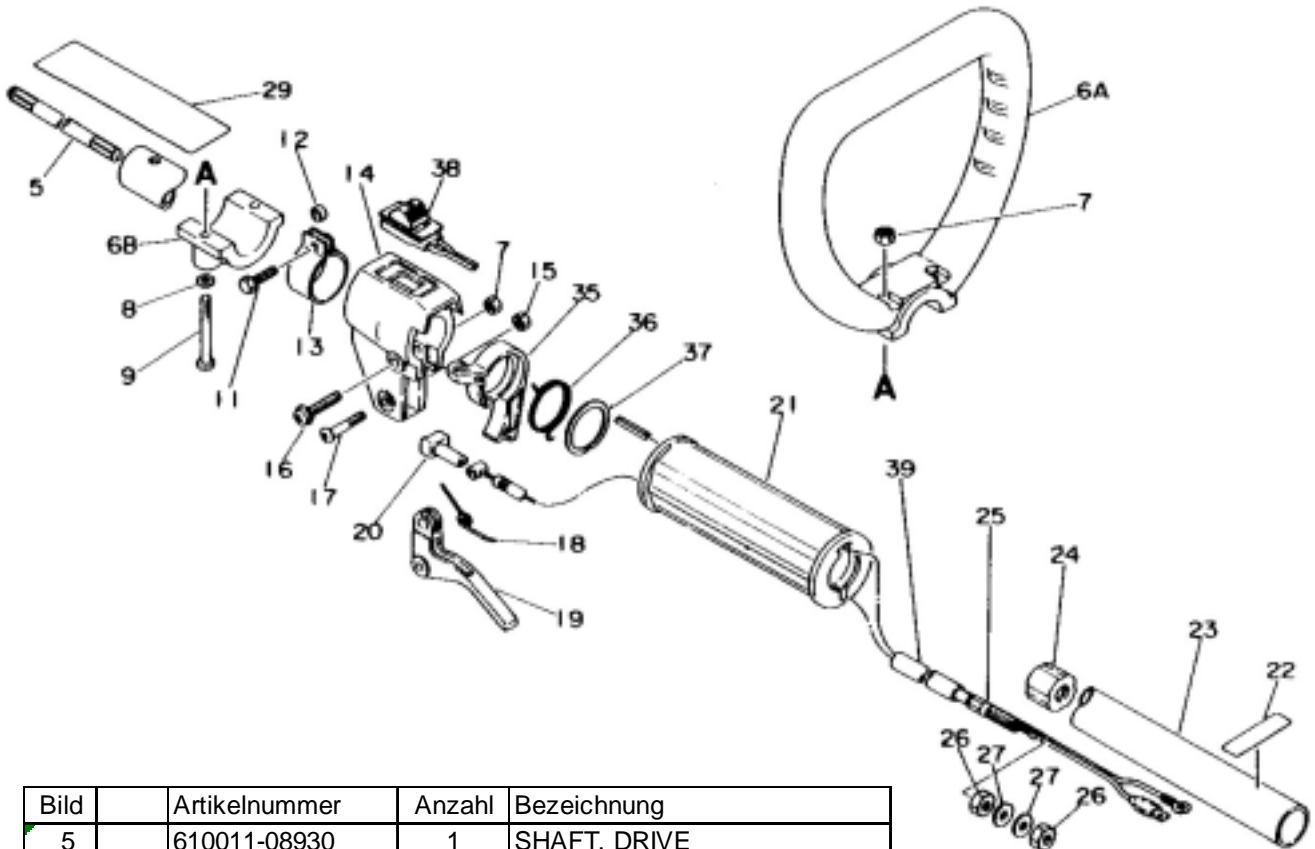


Bild		Artikelnummer	Anzahl	Bezeichnung
5		610011-08930	1	SHAFT, DRIVE
6		351201-08930	1	HANDLE ASSY, LOOP
7	+	900500-00005	2	NUT 5
8	+	900600-00005	2	WASHER 5
9	+	900220-05040	2	SCREW 5*40
7		900500-00005	1	NUT 5
11		900100-05018	1	BOLT 5*18
12		699012-03330	1	SPACER
13		301207-08930	1	HOOK
14		178024-24330	1	BRACKET, THROTTLE
15		433020-00830	1	LOCKNUT 5
16		900242-05030	1	SCREW 5*30
17		178110-05330	1	SCREW
18		178043-06930	1	SPRING. THR. RETURN
19		178010-05631	1	CONTROL, THROTTLE
20		178048-05630	1	HOLDER, THR. WIRE
21		351012-24330	1	GRIP
22		890152-04930	1	LABEL, CAUTION
23		610206-08930	1	HOUSING ASS'Y, D.SFT
24	+	610105-08930	5	COLLAR
25		178001-08931	1	WIRE, THROTTLE
26		900502-00006	2	NUT 6 (3N)
27		900600-00006	2	WASHER 6
29		890617-27230	1	DECAL CAUTION
35		178012-24330	1	LOCKOUT, THROTTLE
36		178013-24330	1	SPRING, THR. LOCK
37		178070-24330	1	SPACER
38		163400-09630	1	SWITCH, IGNITION
39		178127-24030	1	TUBE

SRM-200BE 6

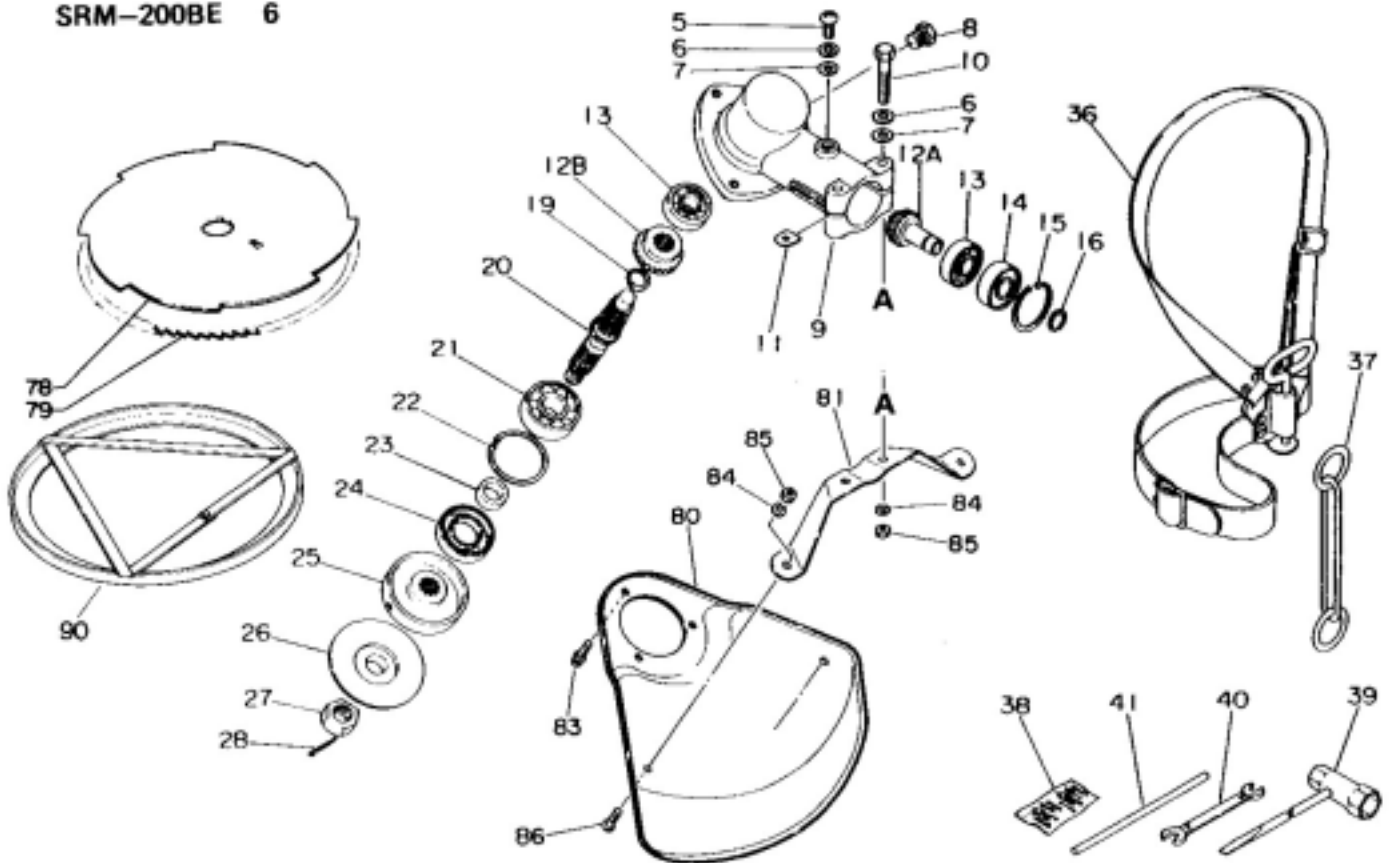


Bild	Artikelnummer	Anzahl	Bezeichnung
*	610402-20330	1	HOUSING ASSY, GEAR
5	+ 900220-05010	1	SCREW 5*10
6	+ 900605-00005	3	WASHER, SPRING 5
7	+ 900600-00005	3	WASHER 5
8	+ 900100-08008	1	BOLT 8*8
9	+ 610460-08930	1	HOUSING, GEAR
10	+ 900100-05035	2	BOLT 5*35
11	+ 610239-04130	2	WASHER, SHIM
12	+ 610301-08930	1	GEAR SET
13	+ 900800-00609	2	BEARING, BALL 609
14	+ 900803-00609	1	BEARING, BALL 609
15	+ 900702-00025	1	CIRCLIP 25
16	+ 900706-00009	1	CIRCLIP 9
19	+ 900706-00012	1	CIRCLIP 12
20	+ 610360-08931	1	SHAFT, P.T.O.
21	+ 900810-06201	1	BEARING, BALL 6201
22	+ 900702-00032	1	CIRCLIP 32
23	+ 610315-07130	1	SPACER
24	+ 610413-07130	1	OILSEAL
25	+ 610338-08930	1	PLATE, ADAPTER (U)
26	+ 610314-04131	1	PLATE, ADAPTER (L)
27	+ 900511-00010	1	NUT 10 (L-H)
28	+ 900300-20022	1	PIN, SPLIT 2*22
36	301000-41330	1	HARNESS
37	+ 301305-24330	1	LINK
38	898502-01130	1	PIN 2*22 (W/POUCH)
39	895410-07930	1	WRENCH, W/S. DRIVER
40	895112-00330	1	SPANNER 8*10
41	897518-01131	1	LOCKING TOOL
78	696001-20330	1	BLADE, 8-CUTTER
79	695001-20330	1	SAW, CIRCULAR 8*80P
80	699000-20330	1	SHIELD
81	+ 699015-08930	1	SUPPORTER
83	+ 900242-05010	3	SCREW 5*10
84	+ 900605-00005	4	WASHER, SPRING 5
85	+ 900500-00005	4	NUT 5
86	+ 900220-05008	2	SCREW 5*8
90	+ 898503-05930	1	COVER SET, CUTTER

SRM-200BE 7

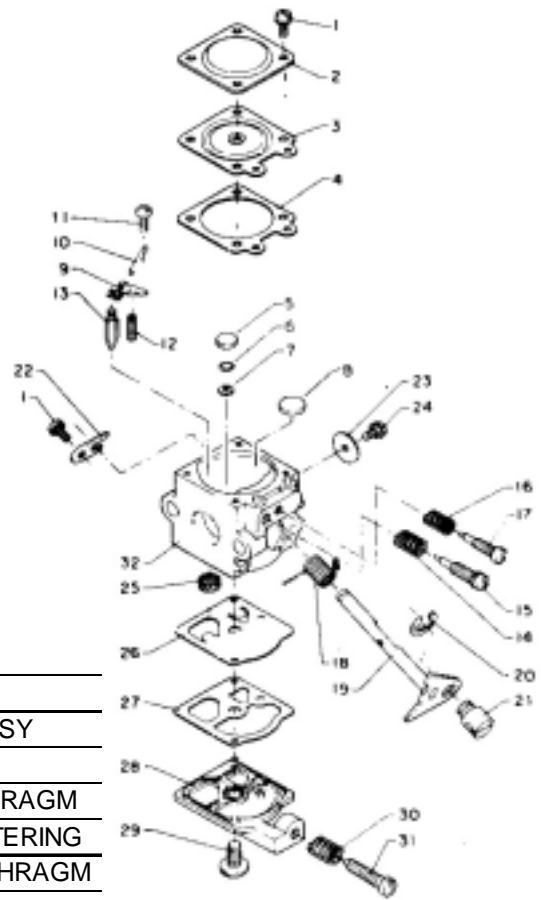


Bild		Artikelnummer	Anzahl	Bezeichnung
*		123000-09320	1	CARBURETOR ASSY
1	+	123130-02960	5	SCREW
2	+	123142-03930	1	COVER, M. DIAPHRAGM
3	+	123141-03930	1	DIAPHRAGM, METERING
4	+	123140-06530	1	GASKET, M. DIAPHRAGM
5	+	123145-16330	1	PLUG, WELCH
6	+	123169-10630	1	RING, RETAINING
7	+	123168-10631	1	SCREEN
8	+	123146-10630	1	PLUG, WELCH
9	+	123123-03930	1	LEVER, METERING
10	+	123138-03930	1	PIN, METERING LEVER
11	+	123139-03930	1	SCREW, M. LEVER PIN
12	+	123122-03930	1	SPRING, METER. LEVER
13	+	123137-03930	1	VALVE, INLET NEEDLE
14	+	123119-03930	1	SPRING, NEEDLE
15	+	123120-00760	1	NEEDLE, HIGH SPEED
16	+	123121-03930	1	SPRING, NEEDLE
17	+	123118-24430	1	NEEDLE, IDLE
18	+	123113-03930	1	SPRING, THRT. RETURN
19	+	123117-09320	1	SHAFT, THROTTLE
20	+	123127-10630	1	RETAINING, SPRING
21	+	123172-04320	1	SWIVEL
22	+	123127-03930	1	CLIP, THROTTLE SHAFT
23	+	123116-05230	1	VALVE, THROTTLE
24	+	123114-03930	1	SCREW
25	+	123126-10631	1	SCREEN, INLET
26	+	123112-15030	1	DIAPHRAGM, FUEL PUMP
27	+	123125-15030	1	GASKET, FUEL PUMP
28	+	123124-16530	1	COVER, FUEL PUMP
29	+	123110-03930	1	SCREW, PUMP COVER
30	+	123133-11130	1	SPRING, IDLE ADJUST
31	+	123134-06530	1	SCREW, IDLE ADJUST



ECHO®

Motorgeräte

die geh'n ran