

# ERSATZTEILLISTE

## ECHO Motorsense SRM-2450

ECHO-Motorgeräte  
Vertrieb Deutschland GmbH  
Otto-Schott-Str. 7

72555 Metzingen

Telefon 07123-1091  
Telefax 07123-2589  
<http://www.echo-shop.de>  
email: [info@echo-shop.de](mailto:info@echo-shop.de)

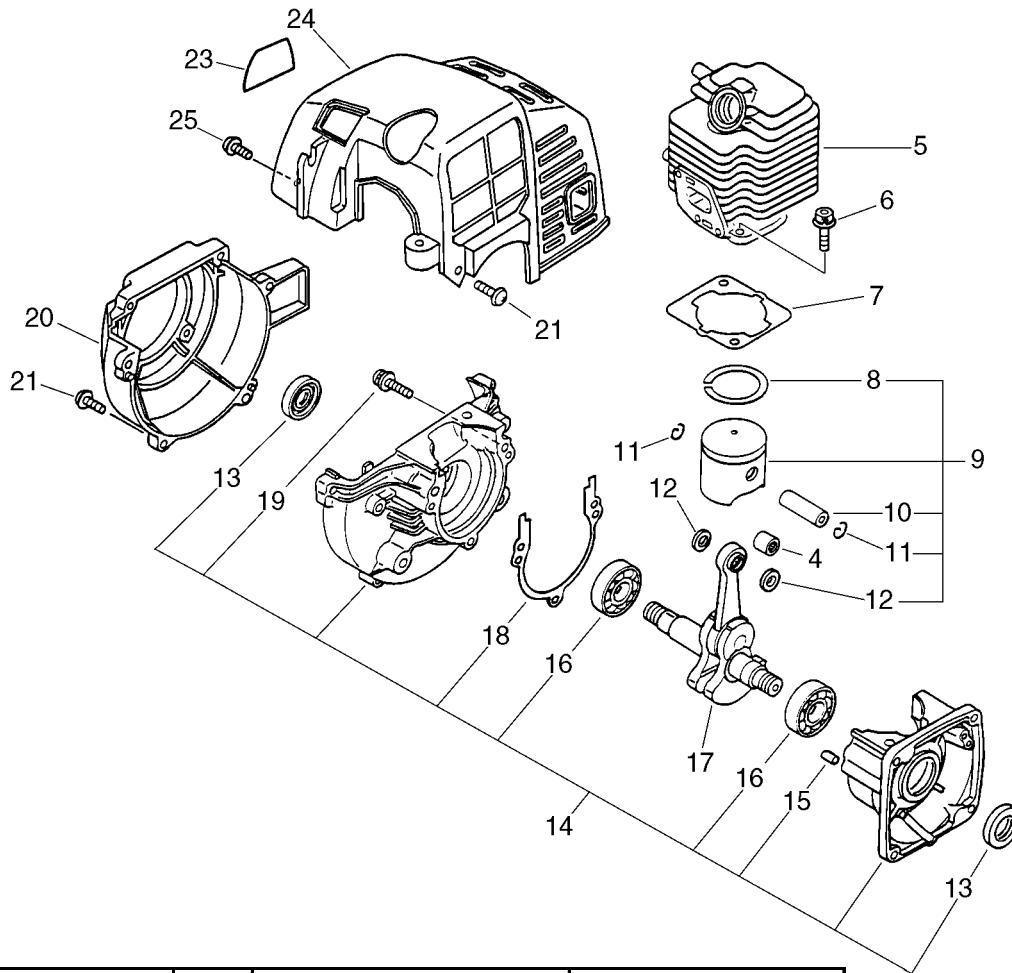


Bild	Artikelnummer	Anzahl	Beschreibung	Anmerkung
5	101011-09560	1	CYLINDER	
6	900162-05022	2	BOLT, H.S. 5*22	
7	101010-44332	1	GASKET, CYL. BASE	
9	100000-52130	1	PISTON KIT	
8 +	100011-21230	1	RING, PISTON	
10 +	100013-11520	1	PIN, PISTON	
11 +	100015-04630	2	CIRCLIP, PISTON PIN	
12 +	100014-11520	2	SPACER, PISTON PIN	
14	100204-51030	1	CRANKCASE KIT	Sr/Nr 024070 and before
14	100204-52130	1	CRANKCASE KIT	Sr/Nr 024071 and after
13 +	100212-42030	2	OILSEAL	
15 +	100215-03930	2	PIN, DOWEL	
16 +	900810-36201	2	BEARING, BALL 6201	Sus. by 94035-36201
16 +	94035-36201	2	BEARING, BALL	
18 +	100242-42030	1	GASKET, CRANKCASE	
19 +	900242-05028	3	SCREW 5*28	Sus. by 900162-05028
19 +	900162-05028	3	BOLT, H.S. 5*28	
17	100100-52131	1	CRANKSHAFT ASY	Sus. by A011-000111
17	A011-000110	1	CRANKSHAFT,ASM	Sus. by A011-000111
17	A011-000111	1	CRANKSHAFT,ASM	
4 +	100012-51230	1	BEARING, NEEDLE	Sus. by V553-000010
4 +	V553-000010	1	BEARING,NEEDLE 8	
20	101511-44730	1	COVER, FAN (BS)	
21	900238-04016	6	SCREW 4*16	
23	890518-52130	1	LABLE, MODEL	
24	101514-42030	1	COVER, CYLINDER	Sus. by 101514-42031
24	101514-42031	1	COVER, CYLINDER	
25	900238-04012	2	SCREW 4*12	

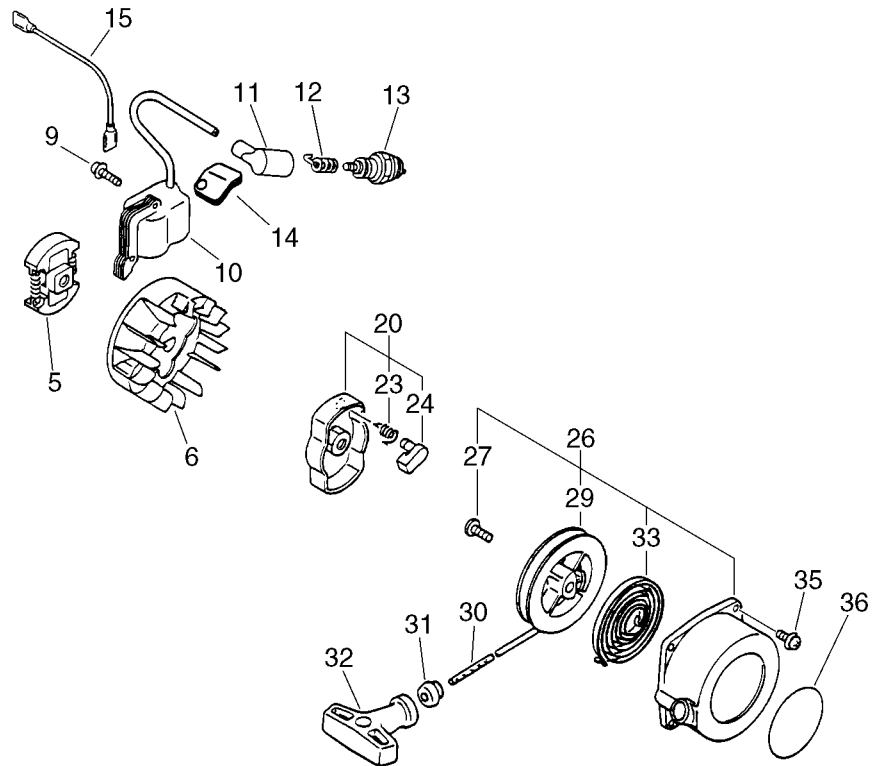


Bild	Artikelnummer	Anzahl	Beschreibung	Anmerkung
5	175000-42031	1	CLUTCH ASY	Sus. by 175000-56830
5	175000-49030	1	CLUTCH ASY	Sus. by 175000-56830
5	175000-56830	1	CLUTCH ASY	
6	156801-44730	1	FLYWHEEL	Sus. by 156801-44731
6	156801-44731	1	FLYWHEEL	Sus. by 156801-44731
6	156801-12360	1	FLYWHEEL	Sus. by 156801-44731
6	156801-44731	1	FLYWHEEL	
9	900238-04022	2	SCREW 4*22	
10	156601-44730	1	COIL, IGNITION	Sus. by set of 156601-52130 and 162010-528
10	156601-44731	1	COIL, IGNITION	Sus. by set of 156601-52130 and 162010-528
10	156601-52130	1	COIL, IGNITION	
11	159012-01620	1	CAP, SPARK PLUG	
12	159011-03432	1	COIL, SPARK PLUG CAP	
13	159017-10230	1	PLUG, SPARK (RCJ-7Y)	
14	150112-42030	1	BUSHING	
15	162010-52830	1	LEAD, GROUND	
20	177202-44330	1	PAWL ASY, STARTER	
23	+ 177234-42030	1	SPRING, RETURN	
24	+ 177218-44330	1	PAWL, STARTER	
26	177200-42032	1	STARTER ASY	Sus. by 177200-42033
26	177200-42033	1	STARTER ASY	
27	+ 177236-44330	1	SCREW	
29	+ 177215-42030	1	DRUM, STARTER	Sus. by 177215-44430
29	+ 177215-44430	1	DRUM, STARTER	
30	+ 177226-10120	1	ROPE, STARTER	
31	+ 177227-42030	1	GUIDE, ROPE	
32	+ 177228-06530	1	GRIP, STARTER	
33	+ 177220-42030	1	SPRING, REWIND	
35	900238-04016	2	SCREW 4*16	
36	890118-44330	1	LABEL, ECHO	

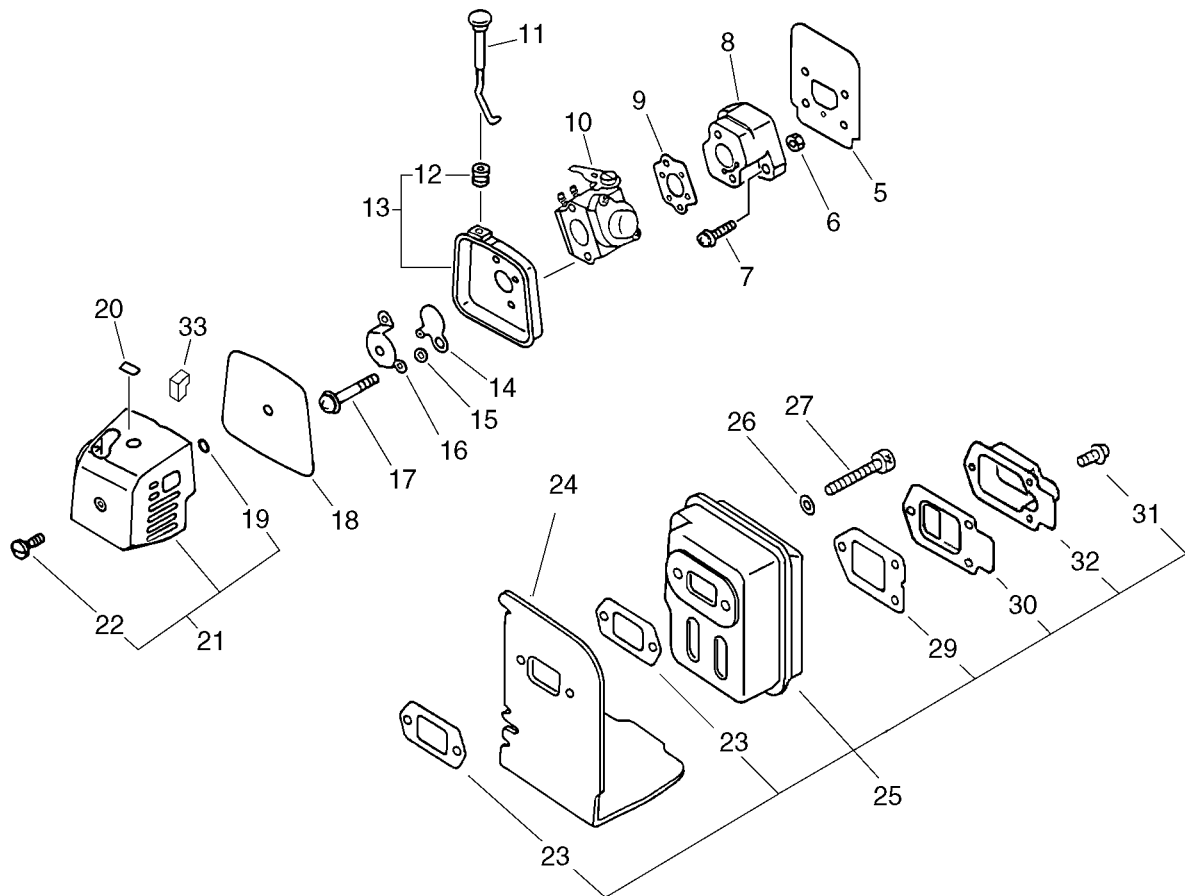


Bild	Artikelnummer	Anzahl	Beschreibung	Anmerkung
5	130010-42032	1	GASKET,INTAKE	
6	900500-00005	2	NUT 5	
7	900238-05020	2	SCREW 5*20	
8	130017-42031	1	INSULATOR, INTAKE	
9	130016-42031	1	GASKET, INTAKE	
10	125200-52131	1	CARBURETOR ASY	Sus. by 125200-52431
10	125200-52430	1	CARBURETOR ASY	Sus. by 125200-52431
10	125200-52431	1	CARBURETOR ASY	
11	178510-48830	1	ROD, CHOKE	
13	130301-04560	1	CASE, AIR CLEANER	
12 +	178810-05230	1	GROMMET	
14	178515-04560	1	SHUTTER, CHOKE	
15	178516-00830	1	SPACER	
16	130410-44730	1	BRACKET, AIR CLEANER	
17	900242-05057	2	SCREW 5*57	
18	130310-04560	1	FILTER, AIR	
20	890121-47530	1	LABEL, CHOKE	
21	130302-50630	1	COVER ASY, AIR CLN.	
19 +	900720-00004	1	O-RING (P-4)	
22 +	130415-40630	1	SCREW	
25	145800-42031	1	MUFFLER ASY	Sus. by 145800-42032
25	145800-42032	1	MUFFLER ASY (SAM)	
23 +	145510-42031	2	GASKET, MUFFLER	Sus. by V104-000160
23 +	V104-000160	2	GASKET,EXHAUST	
24 +	145871-44331	1	COVER, MUFFLER	Sus. by 145631-42030
24 +	145631-42030	1	COVER, MUFFLER	
29 +	145866-42031	1	GASKET, MUFFLER LID	
30 +	145876-42030	1	LID, MUFFLER	
31 +	900238-04010	3	SCREW 4*10	
32 +	145863-42030	1	HOLDER, SCREEN	
26	900600-00005	2	WASHER 5	
27	900105-05055	2	BOLT, H.S. 5*55	
33	130336-52130	2	PLUG	

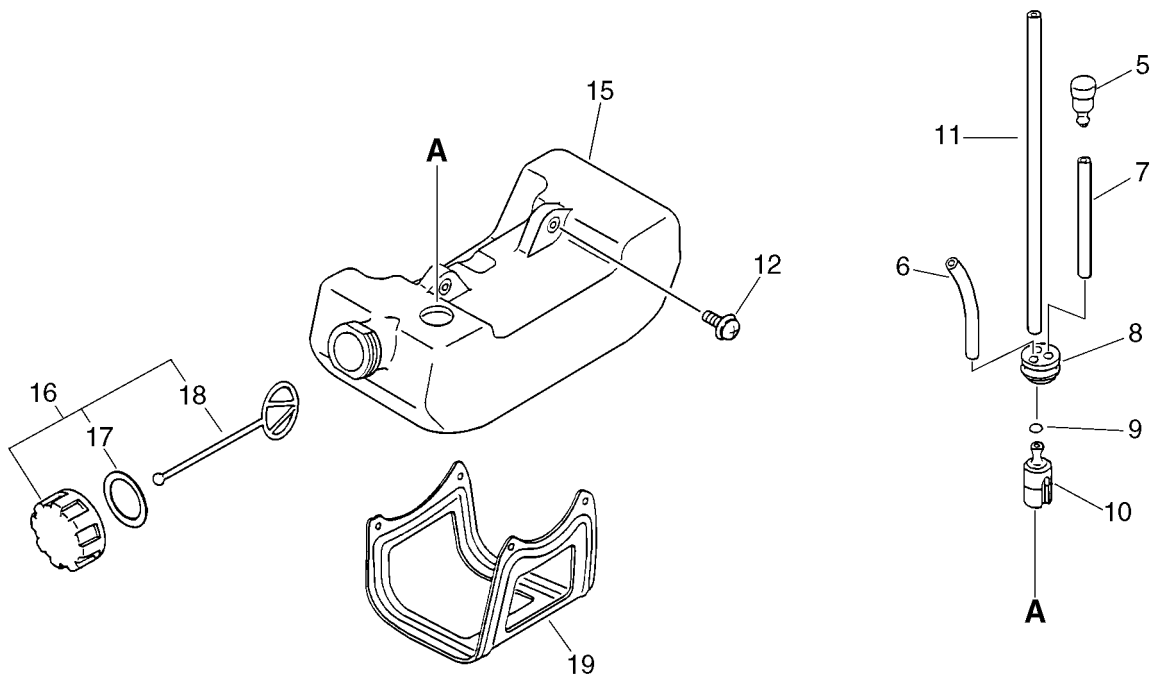


Bild	Artikelnummer	Anzahl	Beschreibung	Anmerkung
5	131300-49930	1	VALVE, CHECK	Sus. by 131300-56430
5	131300-56430	1	VALVE, CHECK	
6	132012-51030	1	PIPE 3*5* 90	Sus. by 132010-56330
6	132010-56330	1	PIPE 3*6*90	
7	131312-44330	1	PIPE, 3*5*70L	
8	132115-46730	1	GROMMET, FUEL	
9	132013-09820	1	CLIP	
10	131205-07320	1	STRAINER, FUEL	
11	132010-13930	1	PIPE, FUEL	
12	900243-05016	2	SCREW 5*16	
15	131005-44430	1	TANK, FUEL	Sus. by 131005-44331
15	131005-44431	1	TANK, FUEL	Sus. by 131005-44331
15	131005-44331	1	TANK, FUEL	
16	131004-46730	1	CAP ASY, FUEL TANK	Sus. by 131004-08960
16	131004-08960	1	CAP ASY, FUEL	
17	+ 131016-40930	1	GASKET, FUEL CAP	Nur mit 131004-46730
17	+ 131016-55830	1	GASKET, FUEL CAP	Nur mit 131004-08960
18	+ 131051-52430	1	CONNECTOR, CAP	
19	305110-42030	1	STAND (BL)	

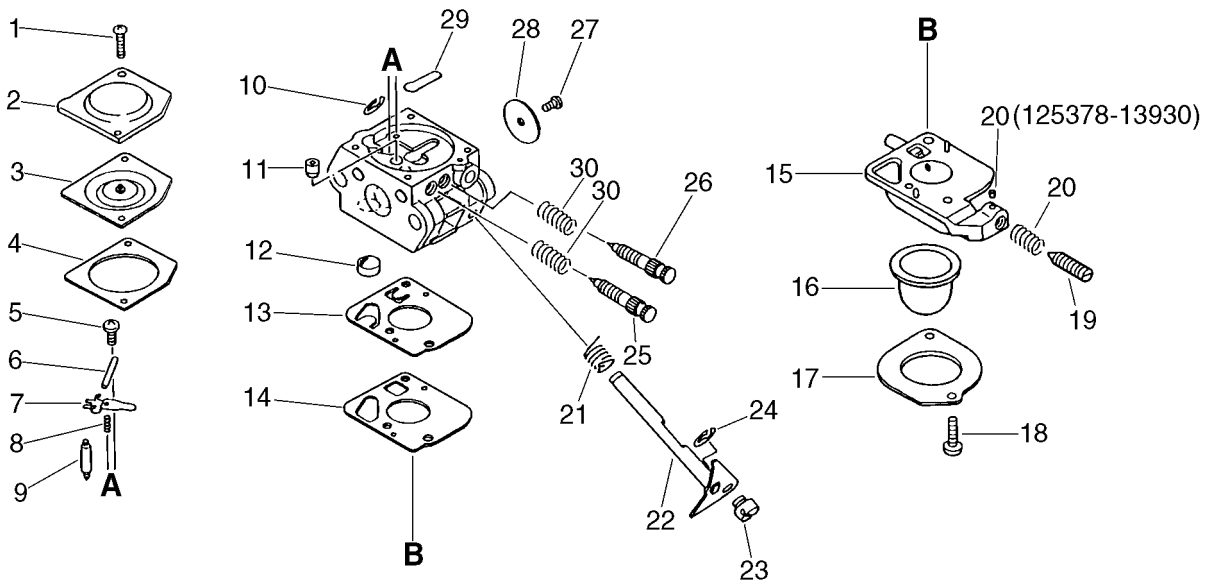


Bild	Artikelnummer	Anzahl	Beschreibung	Anmerkung
	125200-52131	1	CARBURETOR ASY	Sus. by 125200-52431
	125200-52430	1	CARBURETOR ASY	Sus. by 125200-52431
	125200-52431	1	CARBURETOR ASY	
1	+ 125344-52130	2	SCREW	
2	+ 125342-13210	1	COVER, DIAPHRAGM	
3	+ 125341-42030	1	DIAPHRAGM	Nur mit 125200-52131
3	+ 125341-49030	1	DIAPHRAGM	Mit 125200-52430 und 125200-52431
4	+ 125340-51030	1	GASKET, DIAPHRAGM	
5	+ 125339-42030	1	SCREW	
6	+ 125338-13930	1	PIN, METERING ARM	
7	+ 125323-42030	1	LEVER, METERING	
8	+ 125322-42030	1	SPRING, COIL	
9	+ 125337-06960	1	VALVE, INLET NEEDLE	
10	+ 125327-15130	1	CLIP	
11	+ 125376-51030	1	NOZZLE, CHECK VALVE	Nur mit 125200-52131
11	+ 125376-49030	1	NOZZLE, CHECK VALVE	Mit 125200-52430 und 125200-52431
12	+ 125326-42030	1	STRAINER	
13	+ 125312-42030	1	DIAPHRAGM, FUEL PUMP	Nur mit 125200-52131
13	+ 125312-12820	1	DIAPHRAGM, FUEL PUMP	Mit 125200-52430 und 125200-52431
14	+ 125325-13310	1	GASKET, PUMP	
15	+ 125324-11610	1	COVER, PUMP	Sus. by 125383-13310
15	+ 125383-13310	1	BASE, PRIMER	
16	+ 125381-08660	1	PUMP, PRIMING	
17	+ 125363-11610	1	RING	
18	+ 125310-11610	2	SCREW	
19	+ 125334-13930	1	SCREW, IDLE ADJUST	Mit 125200-52430 und 125200-52431
19	+ 125334-06960	1	SCREW, IDLE ADJUST	Nur mit 125200-52131
20	+ 125378-13930	1	PIECE, FRICTION	Mit 125200-52430 und 125200-52431
20	+ 125333-06960	1	SPRIG, ADJUST SCREW	Nur mit 125200-52131
21	+ 125313-42030	1	SPRING, THRT. RETURN	
22	+ 125317-42030	1	SHAFT, THROTTLE	Nur mit 125200-52131
22	+ 125317-49030	1	SHAFT, THROTTLE	Sus. by P005-000390
22	+ P005-000390	1	SHAFT, THROTTLE	Mit 125200-52430 und 125200-52431
23	+ 125372-42030	1	SWIVEL	
24	+ 125327-13930	1	CLIP	
25	+ 125320-51230	1	NEEDLE, HIGH SPEED	Nur mit 125200-52131
25	+ 125320-52430	1	NEEDLE, HIGH SPEED	Mit 125200-52430 und 125200-52431
26	+ 125318-51030	1	NEEDLE, IDLE	Nur mit 125200-52131
26	+ 125318-52430	1	NEEDLE, IDLE	Mit 125200-52430 und 125200-52431
27	+ 125314-13930	1	SCREW	
28	+ 125316-42030	1	VALVE, THROTTLE	Nur mit 125200-52131
28	+ 125316-49030	1	VALVE, THROTTLE	Mit 125200-52430 und 125200-52431
29	+ 125345-51030	1	PLUG, WELCH	Nur mit 125200-52131
29	+ 125345-15130	1	PLUG, WELCH	Mit 125200-52430 und 125200-52431
30	+ 125319-42030	2	SPRING, COIL	Nur mit 125200-52131

Bild	Artikelnummer	Anzahl	Beschreibung	Anmerkung	
	125303-51030	1	<b>Membransatz</b>	Can be used on the 125200-52131 only	
	125303-13310	1	<b>Membransatz</b>	Can be used on the 125200-52430 and 125200-52431	
5-3	+	125341-42030	1	DIAPHRAGM	Can be used on the 125200-52131 only
5-3	+	125341-49030	1	DIAPHRAGM	Can be used on the 125200-52430 and 125200-52431
5-4	+	125340-51030	1	GASKET, DIAPHRAGM	
5-13	+	125312-12820	1	DIAPHRAGM, FUEL PUMP	
5-14	+	125325-13310	1	GASKET, PUMP	
	125300-51330	1	<b>Reparatursatz</b>	Can be used on the 125200-52131 only	
	125300-13310	1	<b>Reparatursatz</b>	Can be used on the 125200-52430 and 125200-52431	
5-3	+	125341-42030	1	DIAPHRAGM	Can be used on the 125200-52131 only
5-3	+	125341-49030	1	DIAPHRAGM	Can be used on the 125200-52430 and 125200-52431
5-4	+	125340-51030	1	GASKET, DIAPHRAGM	
5-6	+	125338-13930	1	PIN, METERING ARM	
5-7	+	125323-42030	1	LEVER, METERING	
5-8	+	125322-42030	1	SPRING, COIL	
5-9	+	125337-06960	1	VALVE, INLET NEEDLE	
5-12	+	125326-42030	1	STRAINER	
5-13	+	125312-12820	1	DIAPHRAGM, FUEL PUMP	
5-14	+	125325-13310	1	GASKET, PUMP	
5-29	+	125345-51030	1	PLUG, WELCH	Can be used on the 125200-52131 only
5-29	+	125345-15130	1	PLUG, WELCH	Can be used on the 125200-52430 and 125200-52431

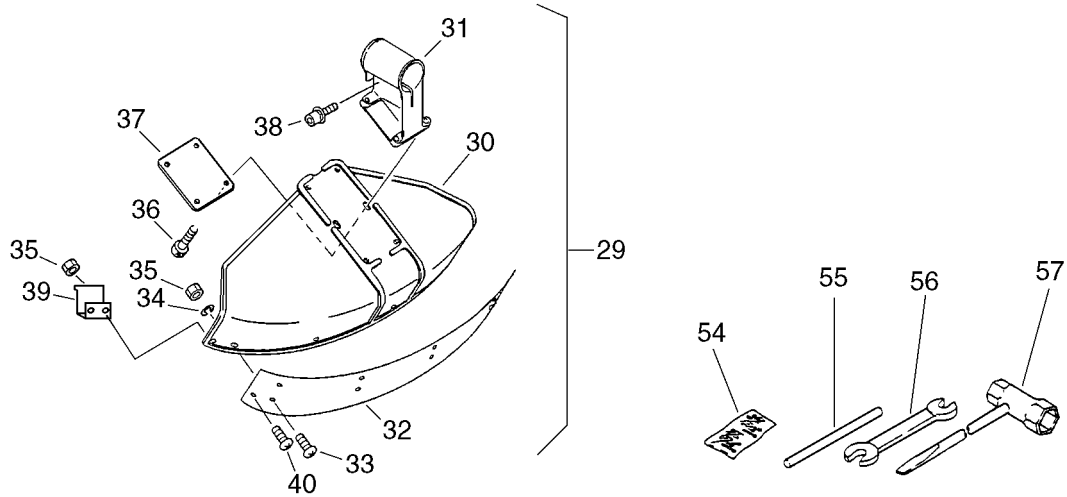


Bild		Artikelnummer	Anzahl	Beschreibung	Anmerkung
29		699001-44730	1	SHIELD, ASY	
30	+	699010-54430	1	SHIELD, BLADE	
31	+	699011-27230	1	BRACKET, SHIELD	
32	+	699013-52130	1	PLATE, SHIELD	
33	+	900242-05018	4	SCREW 5*18	
34	+	900603-00005	4	WASHER 5	
35	+	900500-00005	6	NUT 5	
36	+	900242-05014	4	SCREW 5*14	
37	+	699015-52130	1	PLATE, SHIELD	
38	+	900142-05025	2	BOLT 5*25 (W/W,SW)	
39	+	699016-52130	1	KNIFE, CORD	Sus. by 699016-54530
39	+	699016-54530	1	KNIFE, CORD	
40	+	900242-05012	2	SCREW 5*12	
54		898502-01130	1	PIN 2*22 (W/POUCH)	
55		897518-01131	1	LOCKING TOOL	
56		895112-00330	1	SPANNER 8*10	
57		895410-08030	1	WRENCH, W/S. DRIVER	



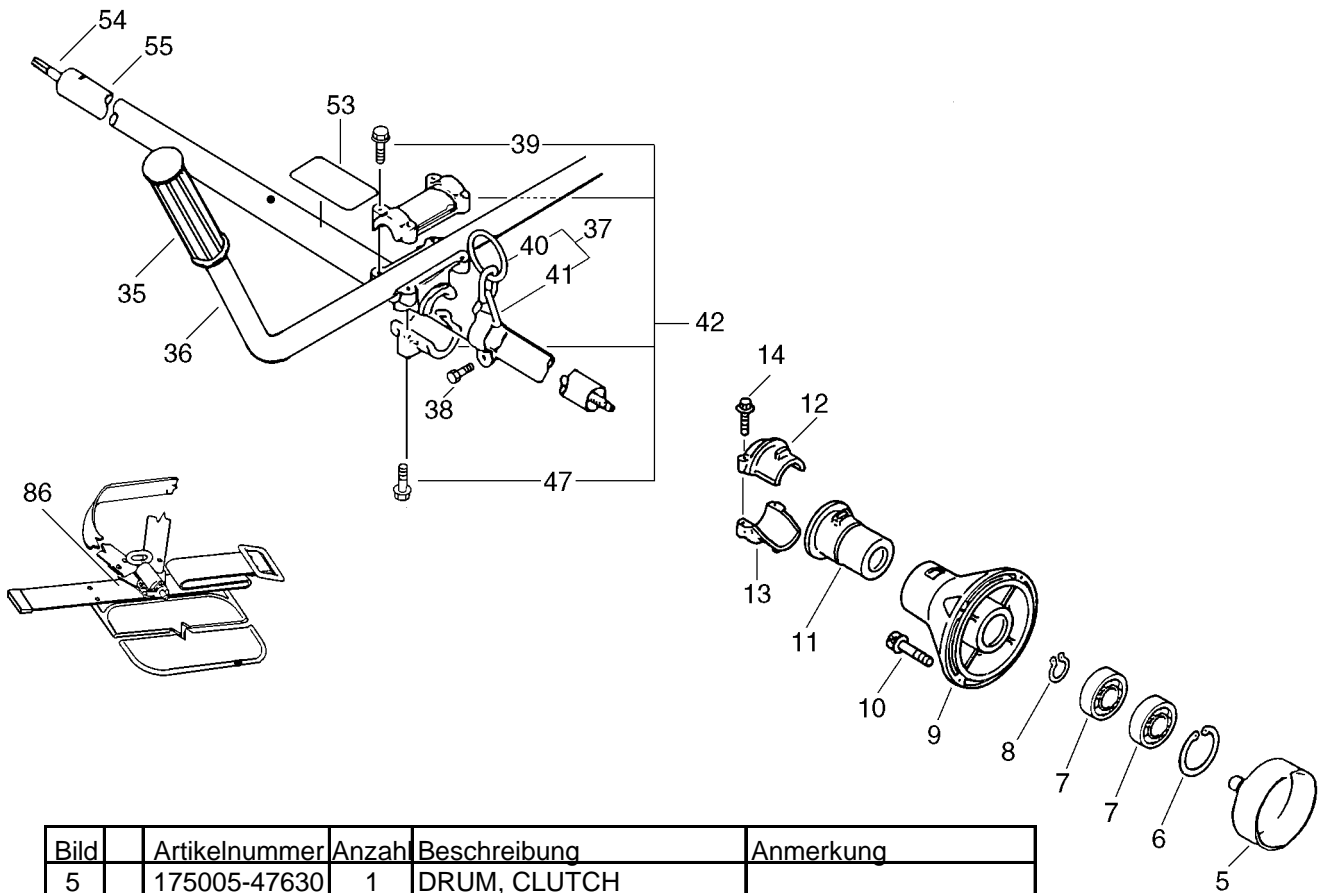


Bild	Artikelnummer	Anzahl	Beschreibung	Anmerkung
5	175005-47630	1	DRUM, CLUTCH	
6	900702-00028	1	CIRCLIP 28	
7	900807-06001	2	BEARING, BALL 6001	
8	900701-00012	1	CIRCLIP 12	
9	610223-44730	1	CASE, CLUTCH (BS)	
10	900238-05016	4	SCREW 5*16	
11	610910-27832	1	CUSHION	
12	610922-27432	1	HOLDER	
13	610923-27432	1	HOLDER	
14	900142-05025	2	BOLT 5*25 (W/W,SW)	
35	351311-02330	1	GRIP, HANDLE	
36	351210-05530	1	HANDLE, LEFT (SL)	
37	301200-21330	1	HOOK AS'Y	
40	+ 301015-05330	1	HOOK, BAND	
41	+ 301205-21330	1	HOOK	
38	++ 900100-05012	1	BOLT 5*12	
42	351301-09230	1	BRACKET AS'Y, HNDL.	Sus. by P021-000460
42	P021-000460	1	FIXTURE,ASY HANDLE	
39	+ 900142-05025	4	BOLT 5*25 (W/W,SW)	
47	+ 900142-06030	2	BOLT 6*30 (W/W,SW)	
53	890617-46830	1	LABEL, CAUTION	Sus. by 890617-43130
53	890617-43130	1	LABEL, CAUTION	
54	610018-27830	1	SHAFT, DRIVE	
55	610206-28230	1	HOUSING ASS'Y D,SFT.	
86	301000-44730	1	HARNESS, SHOULDER	

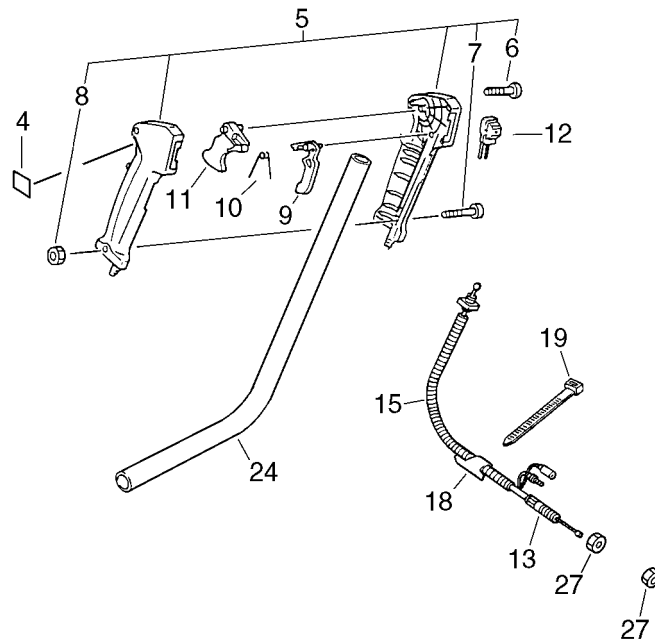


Bild	Artikelnummer	Anzahl	Beschreibung	Anmerkung
4	890157-39130	1	LABEL, SWITCH	
5	351102-47530	1	GRIP ASY, F-HANDLE	
6	+ 900246-03025	4	SCREW 3*25	
7	+ 900220-05030	1	SCREW 5*30	
8	+ 900500-00005	1	NUT 5	
9	178012-05960	1	LOCKOUT, THROTTLE	
10	178013-35631	1	SPRING, THR. LOCK	
11	178010-05960	1	CONTROL, THROTTLE	
12	163401-49230	1	SWITCH, IGNITION	
13	178001-47530	1	WIRE, THROTTLE	
15	178127-47530	1	TUBE	
18	178111-04930	1	CLIP	
19	178121-43230	1	BAND	
24	351010-43130	1	HANDLE, FRONT	
27	900502-00006	2	NUT 6 (3N)	

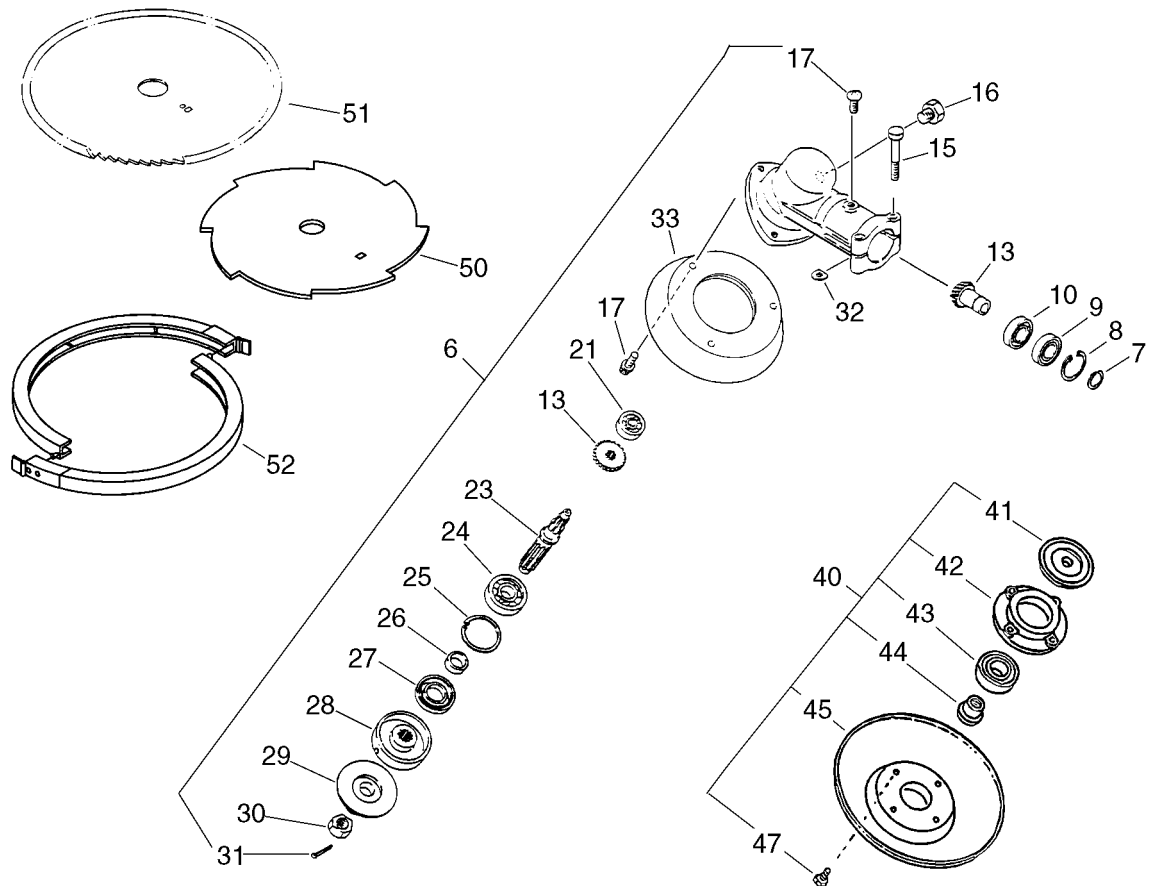


Bild	Artikelnummer	Anzahl	Beschreibung	Anmerkung
6	610400-41630	1	HOUSING ASY, GEAR	
7	+ 900706-00010	1	CIRCLIP 10	
8	+ 900702-00022	1	CIRCLIP 22	
9	+ 900858-06900	1	BEARING, BALL 6900Z	
10	+ 900855-06900	1	BEARING, BALL 6900	
13	+ 610300-40830	1	GEAR SET	
15	+ 900142-05028	2	BOLT 5*28 (W/W,SW)	
16	+ 610434-50030	1	BOLT 8*6	Sus. by 610434-50031
16	+ 610434-50031	1	BOLT 8*8	
17	+ 900242-05010	4	SCREW 5*10	
21	+ 900810-00626	1	BEARING, BALL 626	
23	+ 610310-40830	1	SHAFT, P.T.O.	
24	+ 900800-06000	1	BEARING, BALL 6000	
25	+ 900702-00026	1	CIRCLIP 26	
26	+ 610315-22830	1	SPACER	
27	+ 610413-22830	1	OILSEAL	
28	+ 610313-22830	1	PLATE, ADAPTER (U)	
29	+ 610314-27230	1	PLATE, ADAPTER	
30	+ 900511-00010	1	NUT 10 (L-H)	
31	+ 900300-20022	1	PIN, SPLIT 2*22	
32	+ 610239-04130	2	WASHER, SHIM	
33	+ 610443-22830	1	PLATE, GUARD (WH)	
40	699200-08931	1	CUP ASY, FREE	
41	+ 610314-04631	1	PLATE, ADAPTER (L)	
42	+ 699226-05430	1	HOLDER, BEARING	
43	+ 900814-06202	1	BEARING, BALL 6202	
44	+ 699227-04630	1	NUT	
45	+ 699228-08930	1	PLATE, COVER	
47	+ 900141-05012	4	BOLT 5*12	
50	696001-27230	1	BLADE, 8-CUTTER 9"	Sus. by 696001-44730
50	696001-44730	1	BLADE,8-CUTTER 9IN	
51	695001-27230	1	SAW,CIRCULAR 9*80P	Sus. by 695001-44730
51	695001-44730	1	SAW,CIRCULAR 9*80T	
52	898523-50030	1	SCABBARD, BLADE	Sus. by 898523-47130
52	898523-47130	1	SCABBARD, BLADE	

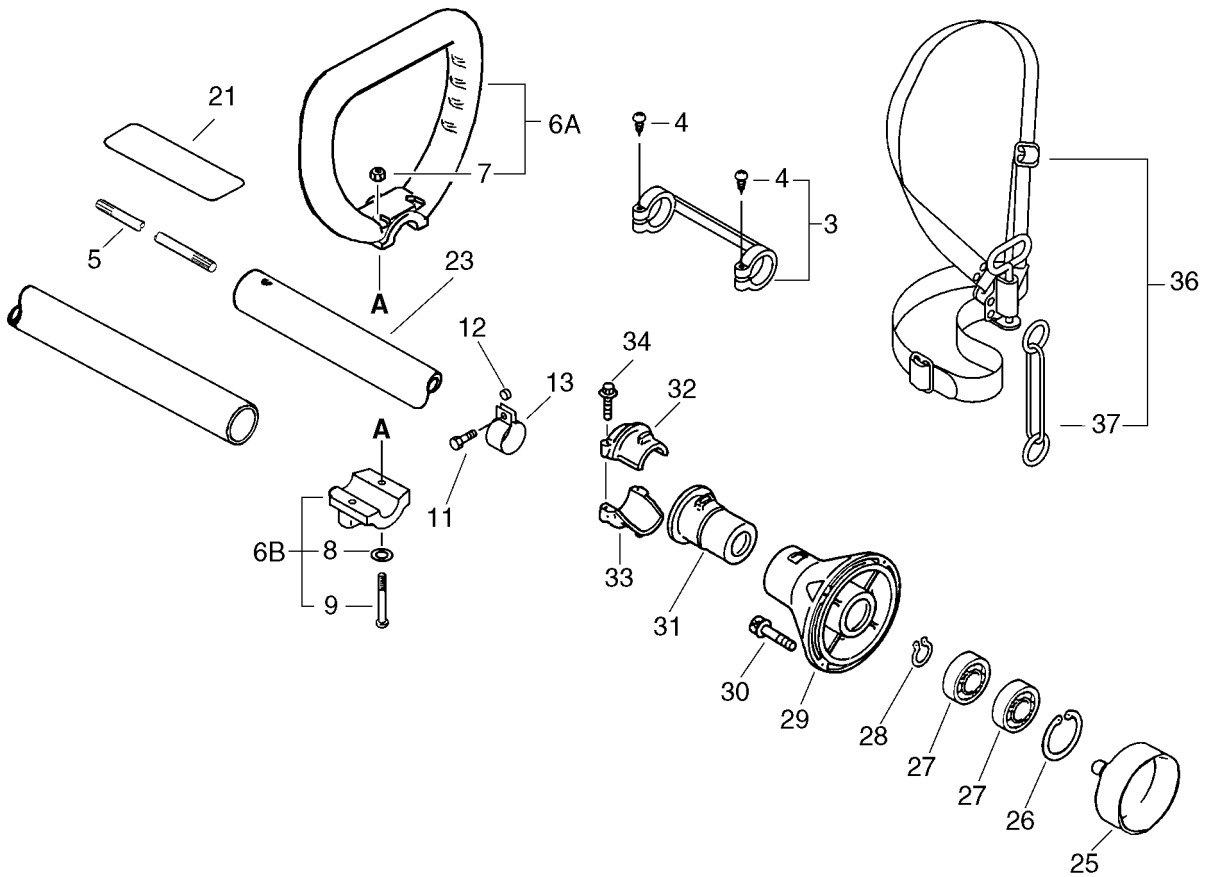


Bild	Artikelnummer	Anzahl	Beschreibung	Anmerkung
3	610281-46730	1	COLLER	
4	+ 900253-04025	2	SCREW 4*25	
5	610018-27830	1	SHAFT, DRIVE	
6	351201-08930	1	HANDLE ASY, LOOP	
7	+ 900500-00005	2	NUT 5	
8	+ 900600-00005	2	WASHER 5	
9	+ 900220-05040	2	SCREW 5*40	
11	900100-05018	1	BOLT 5*18	
12	699012-03330	1	SPACER	
13	301207-08930	1	HOOK	
21	890177-46730	1	LABEL, CAUTION	Sus. by X505-000140
21	890617-63630	1	LABEL, CAUTION	Sus. by X505-000140
21	X505-000140	1	LABEL, CAUTION	
23	610206-28230	1	HOUSING ASY D,SFT.	
25	175005-47630	1	DRUM, CLUTCH	
26	900702-00028	1	CIRCLIP 28	
27	900807-06001	2	BEARING, BALL 6001	
28	900701-00012	1	CIRCLIP 12	
29	610223-44730	1	CASE, CLUTCH (BS)	
30	900238-05016	4	SCREW 5*16	
31	610910-27832	1	CUSHION	
32	610922-27432	1	HOLDER	
33	610923-27432	1	HOLDER	
34	900142-05025	2	BOLT 5*25 (W/W,SW)	
36	301000-55230	1	HARNESS ASY	
37	+ 301305-24330	1	LINK	

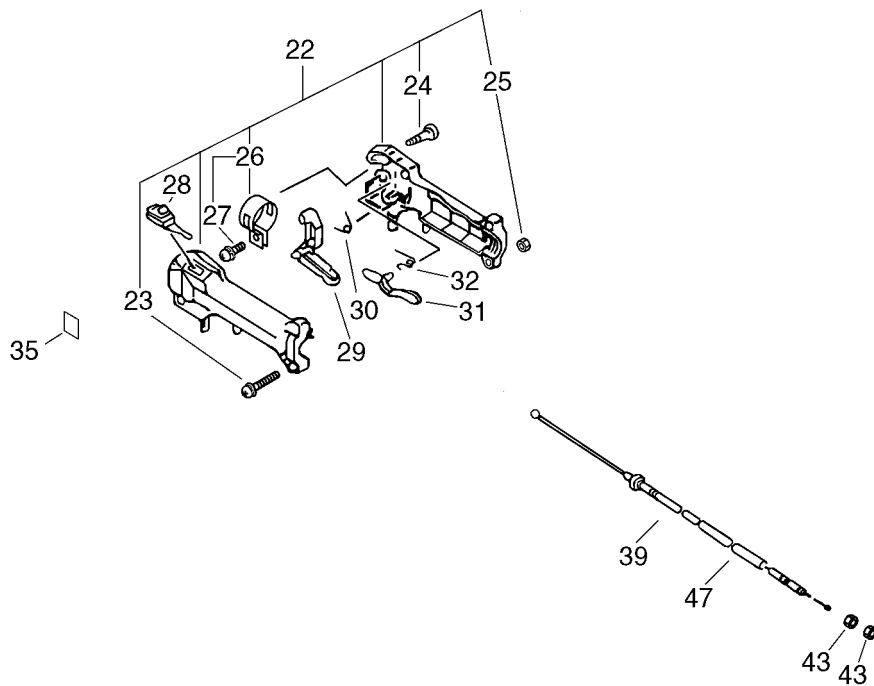


Bild		Artikelnummer	Anzahl	Beschreibung	Anmerkung
22		351102-29430	1	GRIP ASY, F-HANDLE	
23	+	900238-05025	1	SCREW 5*25	
24	+	900253-04018	3	SCREW TAPPING 4*18	
25	+	900500-00005	1	NUT 5	
26	+	301200-29430	1	BAND ASY	
27	++	900238-05012	1	SCREW 5*12	
28		163400-52130	1	SWITCH, IGNITION	
29		178010-42232	1	CONTROL, THROTTLE	
30		178043-42230	1	SPRING, THR. RETURN	
31		178012-42230	1	LOCKOUT, THROTTLE	
32		178013-42230	1	SPRING, THR. LOCKOUT	
35		890157-39130	1	LABEL, SWITCH	
39		178001-52130	1	WIRE, THROTTLE	
43		900502-00006	2	NUT 6 (3N)	
47		178127-50330	1	TUBE	

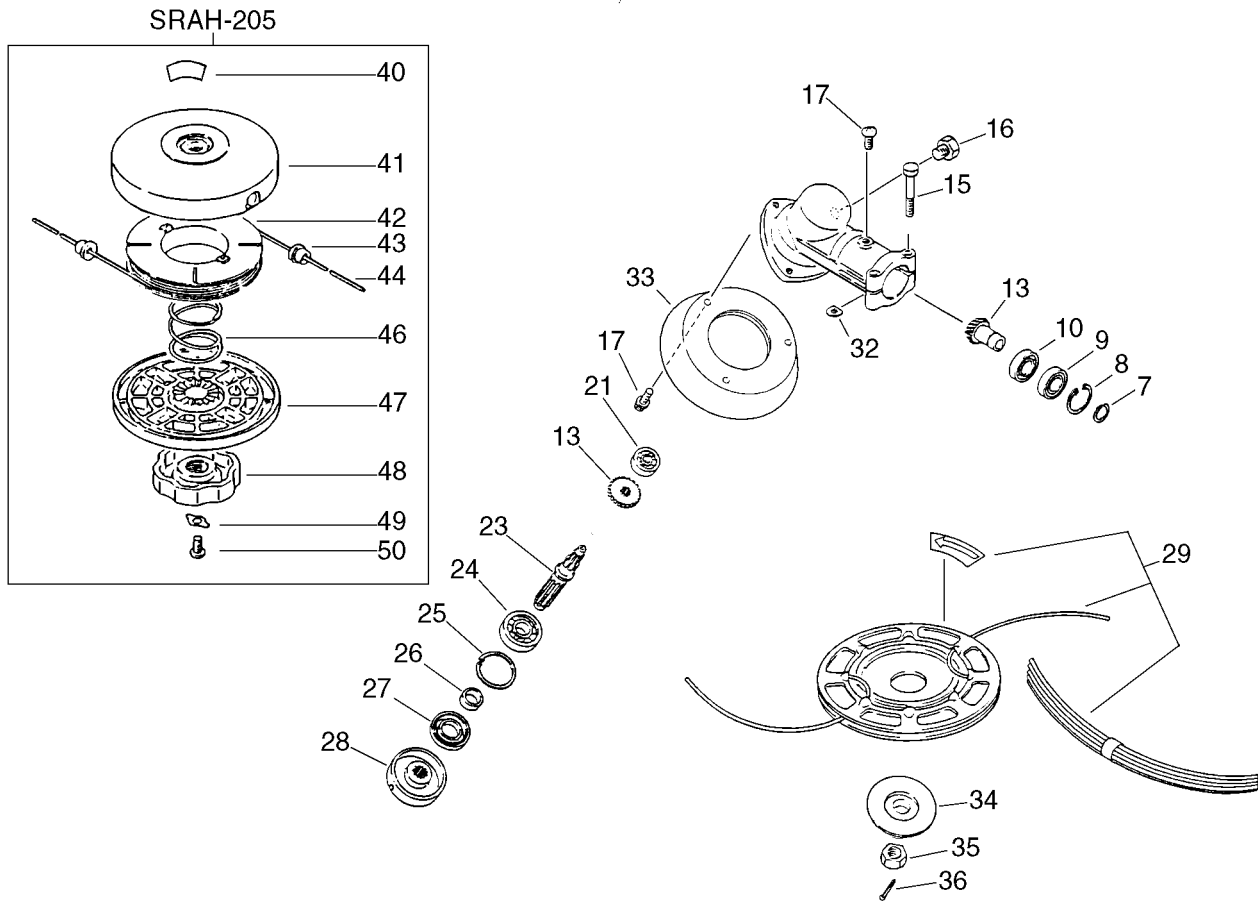


Bild	Artikelnummer	Anzahl	Beschreibung	Anmerkung
7	900706-00010	1	CIRCLIP 10	
8	900702-00022	1	CIRCLIP 22	
9	900858-06900	1	BEARING, BALL 6900Z	
10	900855-06900	1	BEARING, BALL 6900	
13	610300-40830	1	GEAR SET	
15	900142-05028	2	BOLT 5*28 (W/W,SW)	
16	610434-50030	1	BOLT 8* 6	Sus. by 610434-50031
16	610434-50031	1	BOLT 8* 8	
17	900242-05010	4	SCREW 5*10	
21	900810-00626	1	BEARING, BALL 626	
23	610310-40830	1	SHAFT, P.T.O.	
24	900800-06000	1	BEARING, BALL 6000	
25	900702-00026	1	CIRCLIP 26	
26	610315-22830	1	SPACER	
27	610413-22830	1	OILSEAL	
28	610313-44630	1	PLATE, ADAPTER	D. shaft Sr/Nr 012853 and before
28	610313-22830	1	PLATE, ADAPTER (U)	D. shaft Sr/Nr 012854 and after
29	696200-55230	1	CUTTER ASY, LINE	Sus. by 990109-09040
29	990109-09040	1	CUTTER BLACK	
32	610239-04130	2	WASHER, SHIM	
33	610443-22830	1	PLATE, GUARD (WH)	
34	610314-27230	1	PLATE, ADAPTER	D. shaft Sr/Nr 012854 and after
35	900511-00010	1	NUT 10 (L-H)	D. shaft Sr/Nr 012854 and after
36	900300-20022	1	PIN, SPLIT 2*22	D. shaft Sr/Nr 012854 and after
40	890617-46730	1	LABEL, CAUTION	
41	696205-06033	1	DRUM, CORD REEL	
42	696214-06830	1	REEL, CORD	
43	696212-06032	2	EYELET	
44	696215-22830	2	CORD, NYLON(2.4*2.5)	
46	696216-06030	1	SPRING	
47	696206-06032	1	COVER, DRUM (JY)	
48	696219-06031	1	NUT (JY)	
49	696220-06030	1	STOPPER, NUT	
50	900220-06010	1	SCREW 6*10	



**ECHO**®

**Motorgeräte**

*die geh'n ran*