

# ERSATZTEILLISTE

**ECHO Motorsense  
SRM-3155  
SRM-3605**

ECHO-Motorgeräte  
Vertrieb Deutschland GmbH  
Otto-Schott-Str. 7

72555 Metzingen

Telefon 07123-1091  
Telefax 07123-2589  
<http://www.echo-shop.de>  
email: [info@echo-shop.de](mailto:info@echo-shop.de)

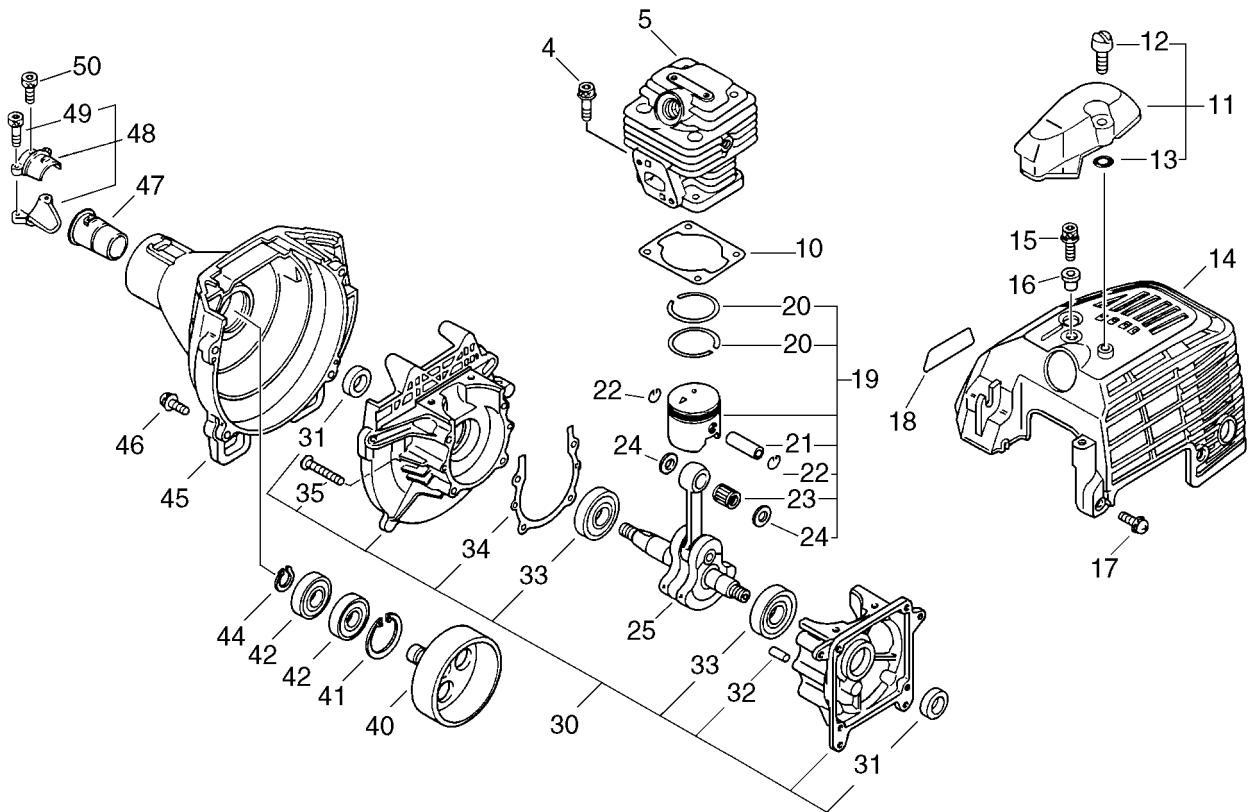


Bild	Artikelnummer	Anzahl	Beschreibung	Anmerkung	Bild	Artikelnummer	Anzahl	Beschreibung	Anmerkung
4	900162-05020	4	BOLT, H.S. 5*20		22 +	100015-03930	2	CIRCLIP, PISTON PIN	Sus. by 100015-03931
5	101034-55630	1	CYLINDER	SRM-3155/3155SI	22 +	100015-03931	2	CIRCLIP, PISTON PIN	
5	101034-55830	1	CYLINDER	SRM-3605/3605SI	23 +	100012-16131	1	BEARING, NEEDLE	
10	101010-55430	1	GASKET, CYL. BASE		24 +	100014-53630	2	SPACER, PISTON PIN	
11	159902-55230	1	GUARD KIT, TOP		25	100100-55430	1	CRANKSHAFT ASY	
12 +	352325-55230	1	KNOB, FASTENER		30	100204-55430	1	CRANKCASE KIT	
13 +	900720-00004	1	O-RING (P-4)		31 +	100213-05530	2	OILSEAL	
14	101514-55630	1	COVER, CYLINDER		32 +	100215-03930	4	PIN, DOWEL	
15	900162-05020	1	BOLT, H.S. 5*20		33 +	900810-36201	2	BEARING, BALL 6201	Sus. by 94035-36201
16	101531-55230	1	COLLAR		33 +	94035-36201	2	BEARING, BALL	
17	900162-05012	2	BOLT, H.S. 5*12		34 +	100242-55430	1	GASKET, CRANKCASE	
18	890112-56930	1	LABEL, MODEL	SRM-3155	35 +	900162-05030	4	BOLT, H.S. 5*30	
18	X503-003240	1	LABEL, MODEL	SRM-3155SI	40	175005-49930	1	DRUM, CLUTCH	
18	890611-55830	1	LABEL, MODEL	SRM-3605	41	900702-00028	1	CIRCLIP 28	
18	X503-003210	1	LABEL, MODEL	SRM-3605SI	42	900807-06001	2	BEARING, BALL 6001	
19	100000-55430	1	PISTON KIT	Sus. by 100000-55431	44	900701-00012	1	CIRCLIP 12	
19	100000-55431	1	PISTON KIT	SRM-3155/3155SI	45	101511-55630	1	COVER, FAN	
19	100000-55830	1	PISTON KIT	Sus. by 100000-55831	46	900162-05020	4	BOLT, H.S. 5*20	
19	100000-55831	1	PISTON KIT	SRM-3605/3605SI	47	610910-55630	1	CUSHION	Sus. by 610910-51830
20 +	100011-16131	2	RING, PISTON	SRM-3155/3155SI	47	610910-51830	1	CUSHION	
20 +	100011-42230	2	RING, PISTON	SRM-3605/3605SI	48	610903-55630	1	HOLDER KIT	
21 +	100013-27430	1	PIN, PISTON		49 +	900162-05025	2	BOLT, H.S. 5*25	
					50	900162-05012	1	BOLT, H.S. 5*12	

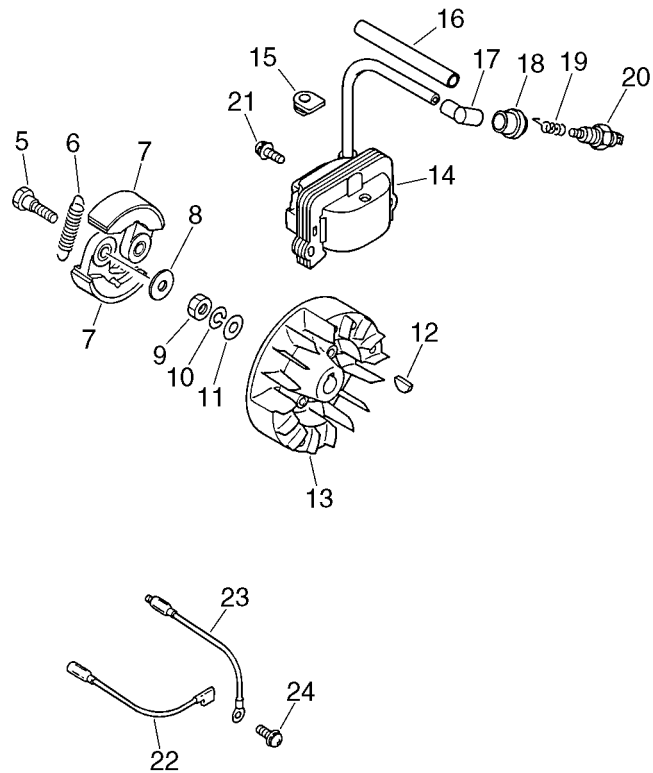


Bild	Artikelnummer	Anzahl	Beschreibung	Anmerkung
5	175046-46430	2	BOLT, CLUTCH	
6	175018-27931	1	SPRING, CLUTCH	Sus. by 175018-49931
6	175018-27932	1	SPRING, CLUTCH	Sus. by 175018-49931
6	175018-49931	1	SPRING, CLUTCH	
7	175009-46431	2	SHOE, CLUTCH	Sus. by A553-000000
7	A553-000000	2	ARM,CLUTCH	
8	175048-05530	2	WASHER (I)	
9	900502-00008	1	NUT 8 (3N)	
10	900605-00008	1	WASHER, SPRING 8	
11	900600-00008	1	WASHER 8	
12	100142-12330	1	KEY, WOODRUFF	
13	152801-55430	1	ROTOR, MAGNET	
14	152626-55430	1	COIL, IGNITION	
15	150112-44330	1	BUSHING	
16	150611-14530	1	TUBE 6*7*110	
17	159012-01620	1	CAP, SPARK PLUG	
18	159015-55230	1	COVER, PLUG CAP	
19	159011-03432	1	COIL, SPARK PLUG CAP	
20	159010-10230	1	PLUG, SPARK (BPMR-7A	
21	900162-05020	2	BOLT, H.S. 5*20	
22	162010-55630	1	LEAD, GROUND	
23	162014-52930	1	LEAD, GROUND	
24	900238-05010	1	SCREW 5*10	

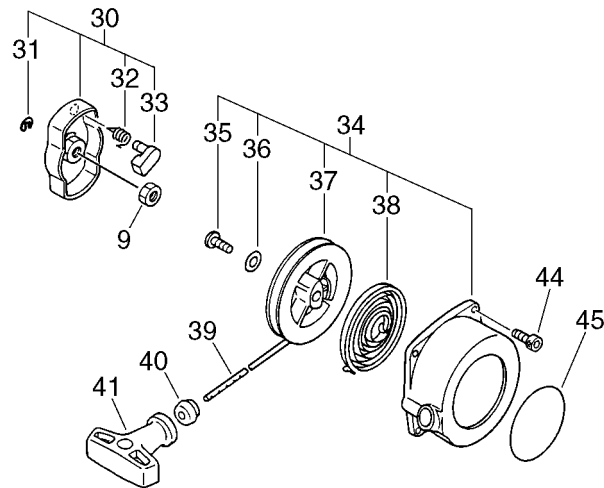


Bild	Artikelnummer	Anzahl	Beschreibung	Anmerkung
9	900502-00008	1	NUT 8 (3N)	SRM-3155/3605
30	177202-41030	1	PAWL ASSY, STARTER	SRM-3155/3605
31 +	900700-00004	1	E-RING 4	SRM-3155/3605
32 +	177234-40630	1	SPRING, RETURN	SRM-3155/3605
33 +	177218-40630	1	PAWL, STARTER	SRM-3155/3605
34	177200-55630	1	STARTER ASY	Sus. by 177200-55631
34	177200-55631	1	STARTER ASY	SRM-3155/3605
35 +	177236-40630	1	SCREW	SRM-3155/3605
36 +	177214-41030	1	WASHER	SRM-3155/3605
37 +	177215-43130	1	DRUM, STARTER	SRM-3155/3605
38 +	177220-40630	1	SPRING, REWIND	SRM-3155/3605
39 +	177226-01110	1	ROPE, STARTER	SRM-3155/3605
40 +	177227-42030	1	GUIDE, ROPE	SRM-3155/3605
41 +	177228-11120	1	GRIP, STARTER	Sus. by 177228-27030
41 +	177228-27030	1	GRIP, STARTER	SRM-3155/3605
44	900162-04014	4	BOLT, H.S. 4*14	SRM-3155/3605
45	890118-49330	1	LABEL, ECHO	SRM-3155/3605

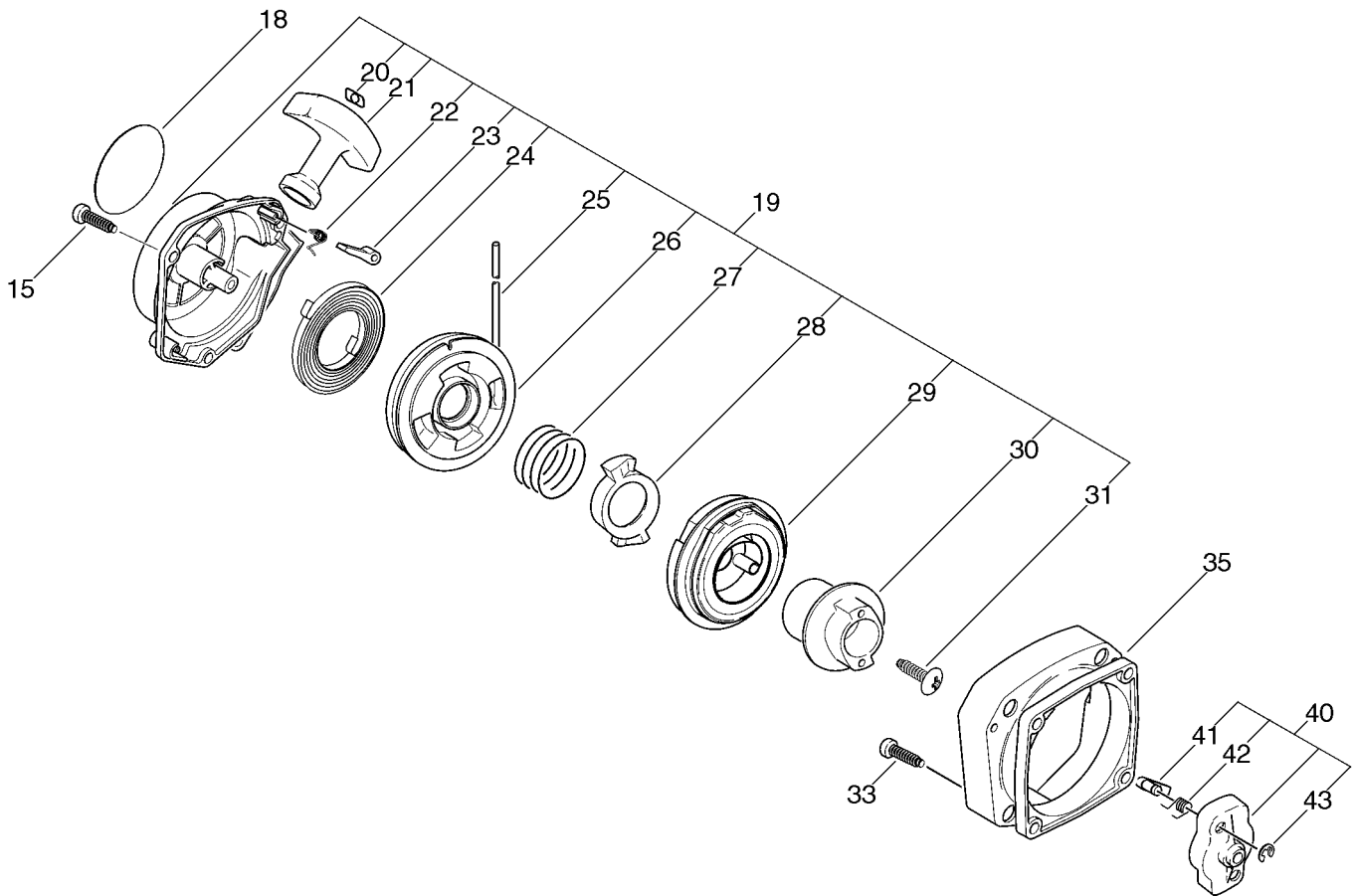


Bild	Artikelnummer	Anzahl	Beschreibung	Anmerkung
15	900253-05020	3	SCREW 5*20	SRM-3155SI/3605SI
18	X502-000031	1	LABEL,ECHO	SRM-3155SI/3605SI
19	A051-000310	1	STARTER,RECOIL	SRM-3155SI/3605SI
20	+ 177246-11120	1	CLIP, STARTER ROPE	SRM-3155SI/3605SI
21	+ 177228-27030	1	GRIP, STARTER	SRM-3155SI/3605SI
22	+ P022-004610	2	SPRING, RETURN	SRM-3155SI/3605SI
23	+ P022-004620	2	PAWL, STARTER	SRM-3155SI/3605SI
24	+ P022-004680	1	SPRING, SPIRAL	SRM-3155SI/3605SI
25	+ P022-004600	1	ROPE,STARTER	SRM-3155SI/3605SI
26	+ P022-004690	1	REEL,ROPE	SRM-3155SI/3605SI
27	+ P022-004660	1	SPRING, RETURN	SRM-3155SI/3605SI
28	+ P022-004670	1	PAWL, STARTER	SRM-3155SI/3605SI
29	+ P022-004730	1	COMPLETE,SPRING	SRM-3155SI/3605SI
30	+ P022-004720	1	PLATE,CAM	SRM-3155SI/3605SI
31	+ P022-004630	1	SCREW	SRM-3155SI/3605SI
33	900162-04016	2	BOLT, H.S. 4*16	SRM-3155SI/3605SI
35	V376-000280	1	SPACER	SRM-3155SI/3605SI
40	A052-000100	1	PULLEY,ASM STARTER	SRM-3155SI/3605SI
41	+ 177218-40630	2	PAWL, STARTER	SRM-3155SI/3605SI
42	+ 177234-40630	2	SPRING, RETURN	SRM-3155SI/3605SI
43	+ P022-002100	2	E-RING	SRM-3155SI/3605SI

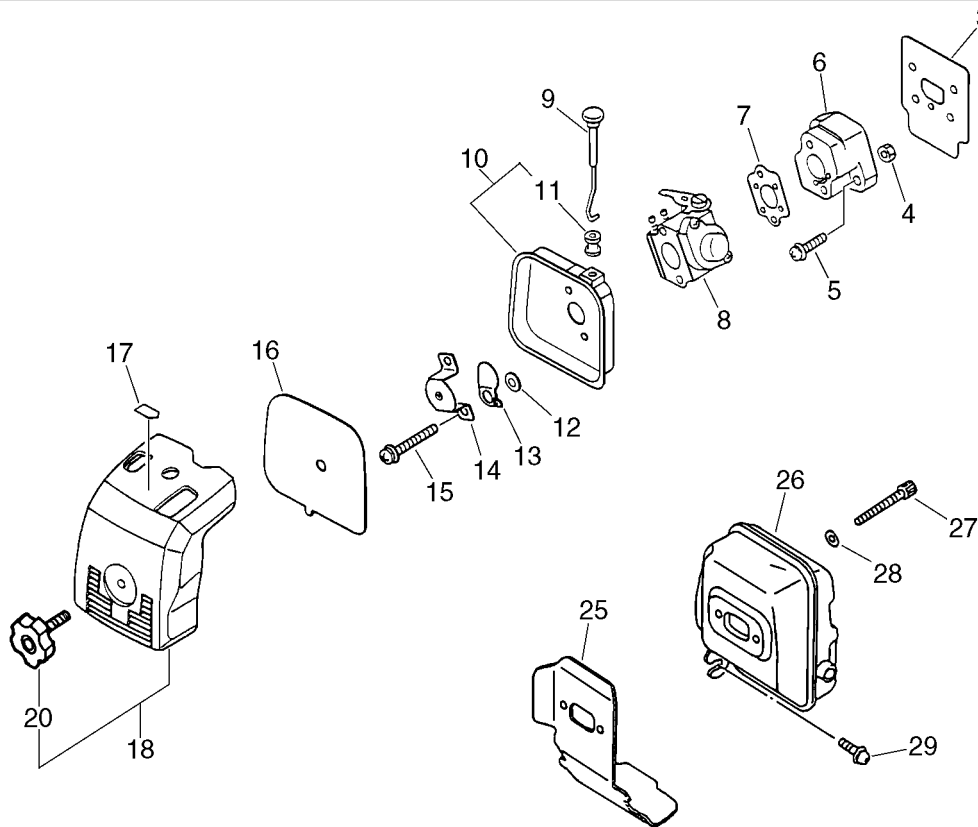


Bild	Artikelnummer	Anzahl	Beschreibung	Anmerkung
3	130016-55430	1	GASKET, INTAKE	
4	900500-00005	2	NUT 5	
5	900162-05025	2	BOLT, H.S. 5*25	
6	130017-55630	1	INSULATOR	
7	130010-05960	1	GASKET, INTAKE	
8	123000-55630	1	CARBURETOR WT-344	
9	178510-51730	1	ROD, CHOKE	
10	130301-51730	1	CASE, AIR CLEANER	
11	+ 178810-05230	1	GROMMET	
12	178516-00830	1	SPACER	
13	178515-05060	1	SHUTTER, CHOKE	
14	129011-52130	1	PLATE	
15	900162-05057	2	BOLT, H.S. 5*57	
16	130310-51730	1	FILTER, AIR	
17	890121-47530	1	LABEL, CHOKE	
18	130302-52130	1	COVER ASY, AIR CLN.	
20	+ 130406-52130	1	KNOB, FASTENER	
25	145510-55430	1	GASKET, MUFFLER	
26	145610-55230	1	MUFFLER	
27	900105-05060	2	BOLT, H.S. 5*60	
28	900600-00005	2	WASHER 5	
29	900162-05012	1	BOLT, H.S. 5*12	

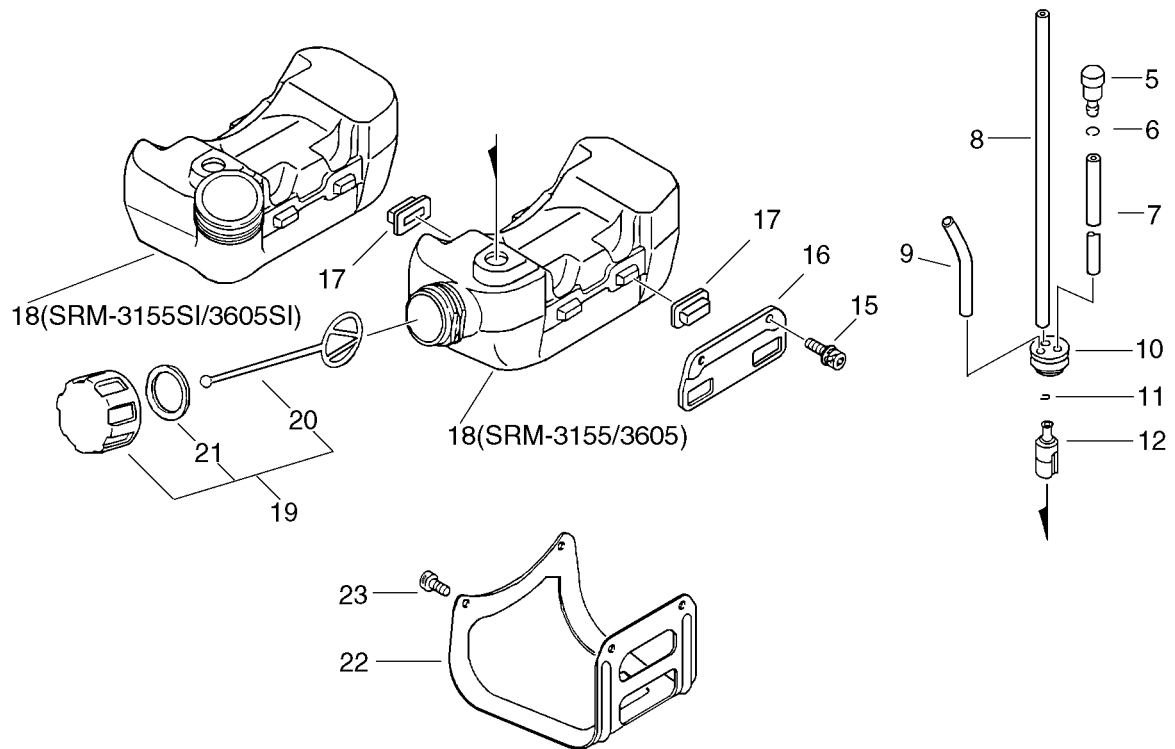


Bild	Artikelnummer	Anzahl	Beschreibung	Anmerkung
5	131300-56430	1	VALVE, CHECK	
6	130111-00530	1	CLIP	
7	437210-11131	1	PIPE 3*5*90 NBR	
8	132010-13930	1	PIPE, FUEL	
9	132010-56330	1	PIPE 3*6*90	
10	132115-46730	1	GROMMET, FUEL	
11	132013-09820	1	CLIP	
12	131205-14930	1	STRAINER, FUEL	
15	900162-05020	2	BOLT, H.S. 5*20	
16	131910-55430	1	BRACKET, FUEL TANK	
17	131920-55430	4	CUSHION, FUEL TANK	
18	131010-55430	1	TANK, FUEL	Sus. by 131010-64930
18	131010-58130	1	TANK, FUEL	Sus. by 131010-64930
18	131010-64930	1	TANK, FUEL	SRM-3155/3605
18	A350-000170	1	TANK, FUEL	SRM-3155SI/3605SI
19	131004-55530	1	CAP ASY, FUEL TANK	
20	+ 131051-56030	1	CLIP, FUEL CAP	
21	+ 131016-55830	1	GASKET, FUEL CAP	
22	305110-55630	1	STAND	
23	900162-05012	2	BOLT, H.S. 5*12	

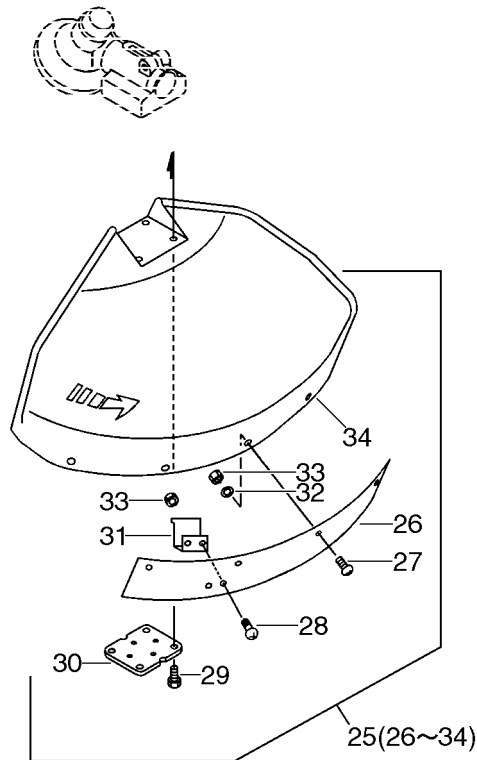


Bild	Artikelnummer	Anzahl	Beschreibung	Anmerkung
SrNr 029420 (SRM -3155) / D.S. SrNr 023799 (SRM -3605) and before				
25	699000-52930	1	SHIELD ASY	Sus. by 699000-52931
25	699000-52931	1	SHIELD ASY	Sr/Nr 029420 and before/SRM-3155
25	699000-52931	1	SHIELD ASY	Drive Shaft Sr/Nr 023799 and before/SRM-3605
26 +	699013-52130	1	PLATE, SHIELD	Sr/Nr 029420 and before/SRM-3155
26 +	699013-52130	1	PLATE, SHIELD	Drive Shaft Sr/Nr 023799 and before/SRM-3605
27 +	900162-05018	4	BOLT, H.S. 5*18	Sr/Nr 029420 and before/SRM-3155
27 +	900162-05018	4	BOLT, H.S. 5*18	Drive Shaft Sr/Nr 023799 and before/SRM-3605
28 +	900162-05014	2	BOLT, H.S. 5*14	Sr/Nr 029420 and before/SRM-3155
28 +	900162-05014	2	BOLT, H.S. 5*14	Drive Shaft Sr/Nr 023799 and before/SRM-3605
29 +	900162-05025	4	BOLT, H.S. 5*25	
30 +	699013-56830	1	PLATE, SHIELD	
31 +	699016-52130	1	KNIFE, CORD	Sus. by 699016-54530
31 +	699016-54530	1	KNIFE, CORD	Sr/Nr 029420 and before/SRM-3155
31 +	699016-54530	1	KNIFE, CORD	Drive Shaft Sr/Nr 023799 and before/SRM-3605
32 +	900603-00005	4	WASHER 5	Sr/Nr 029420 and before/SRM-3155
32 +	900603-00005	4	WASHER 5	Drive Shaft Sr/Nr 023799 and before/SRM-3605
33 +	900500-00005	6	NUT 5	Sr/Nr 029420 and before/SRM-3155
33 +	900500-00005	6	NUT 5	Drive Shaft Sr/Nr 023799 and before/SRM-3605
34 +	699010-52930	1	SHIELD, BLADE	Sus. by 699010-52931
34 +	699010-52931	1	SHIELD, BLADE	Sr/Nr 029420 and before/SRM-3155
34 +	699010-52931	1	SHIELD, BLADE	Drive Shaft Sr/Nr 023799 and before/SRM-3605



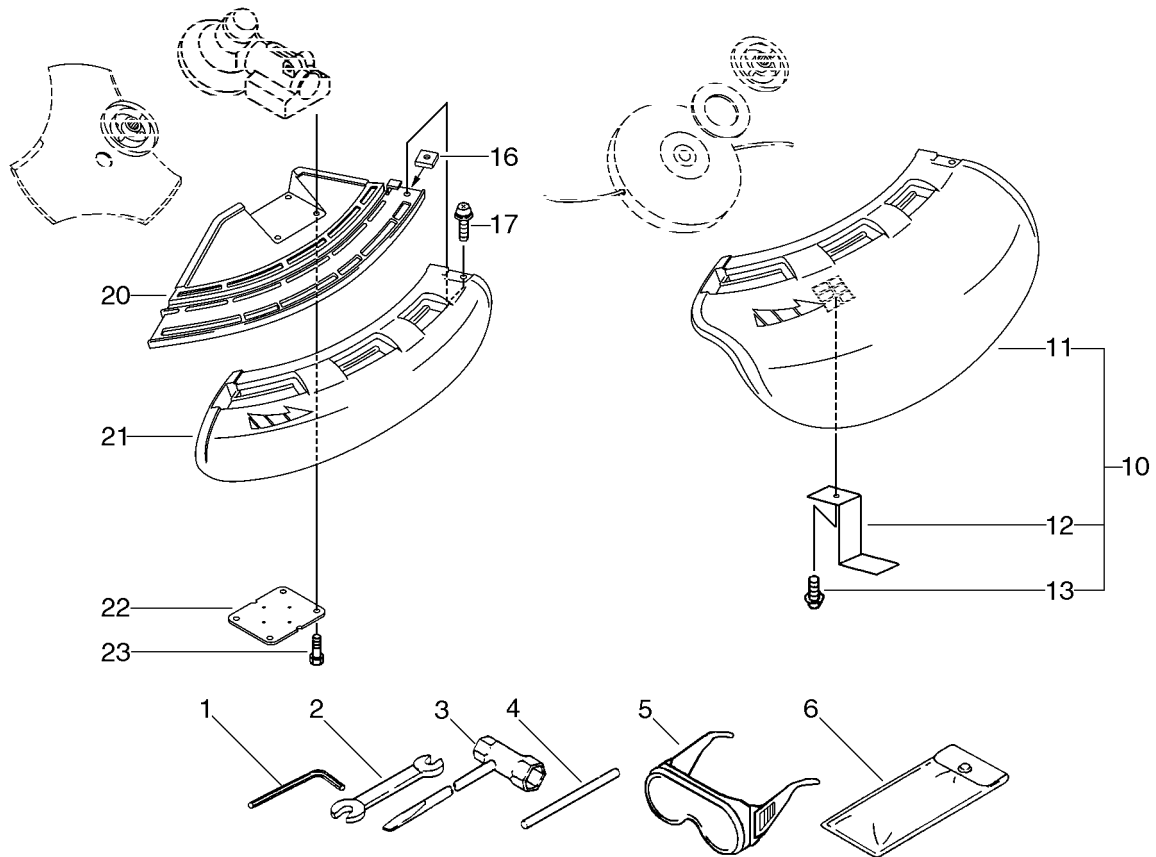


Bild	Artikelnummer	Anzahl	Beschreibung	Anmerkung
Sr/Nr 029421 (SRM-3155), D.S. Sr/Nr 023800 (SRM-3605) and after, SRM-3155SI/3605SI				
1	895610-00130	1	L-WRENCH (4MM)	
2	895112-00330	1	SPANNER 8*10	
3	895410-08030	1	WRENCH, W/S. DRIVER	
4	897518-01131	1	LOCKING TOOL	
5	899580-40930	1	GOGGLE	Sus. by 899580-68730
5	899580-68730	1	SAFETY GLASSES	
6	898510-39130	1	BAG, TOOL	
10	P021-002620	1	SHIELD, BLADE (W/KNIFE)	Sr/Nr 029421 and after/SRM-3155
10	P021-002620	1	SHIELD, BLADE (W/KNIFE)	Drive Shaft Sr/Nr 023800 and after/SRM-3605
10	P021-002620	1	SHIELD, BLADE (W/KNIFE)	SRM-3155SI/3605SI
11 +	C550-000080	1	SHIELD, BLADE	Sr/Nr 029421 and after/SRM-3155
11 +	C550-000080	1	SHIELD, BLADE	Drive Shaft Sr/Nr 023800 and after/SRM-3605
11 +	C550-000080	1	SHIELD, BLADE	SRM-3155SI/3605SI
12 +	C554-000000	1	KNIFE, CORD	Sr/Nr 029421 and after/SRM-3155
12 +	C554-000000	1	KNIFE, CORD	Drive Shaft Sr/Nr 023800 and after/SRM-3605
12 +	C554-000000	1	KNIFE, CORD	SRM-3155SI/3605SI
13 +	900252-05012	1	SCREW 5*12	Sr/Nr 029421 and after/SRM-3155
13 +	900252-05012	1	SCREW 5*12	Drive Shaft Sr/Nr 023800 and after/SRM-3605
13 +	900252-05012	1	SCREW 5*12	SRM-3155SI/3605SI
16	900565-00005	1	NUT	Sr/Nr 029421 and after/SRM-3155
16	900565-00005	1	NUT	Drive Shaft Sr/Nr 023800 and after/SRM-3605
16	900565-00005	1	NUT	SRM-3155SI/3605SI
17	900242-05018	1	SCREW 5*18	Sr/Nr 029421 and after/SRM-3155
17	900242-05018	1	SCREW 5*18	Drive Shaft Sr/Nr 023800 and after/SRM-3605
17	900242-05018	1	SCREW 5*18	SRM-3155SI/3605SI
20	C550-000100	1	SHIELD, BLADE	Sr/Nr 029421 and after/SRM-3155
20	C550-000100	1	SHIELD, BLADE	Drive Shaft Sr/Nr 023800 and after/SRM-3605
20	C550-000100	1	SHIELD, BLADE	SRM-3155SI/3605SI
21	C550-000090	1	SHIELD, BLADE	Sr/Nr 029421 and after/SRM-3155
21	C550-000090	1	SHIELD, BLADE	Drive Shaft Sr/Nr 023800 and after/SRM-3605
21	C550-000090	1	SHIELD, BLADE	SRM-3155SI/3605SI
22	699013-56830	1	PLATE, SHIELD	
23	900162-05025	4	BOLT, H.S. 5*25	

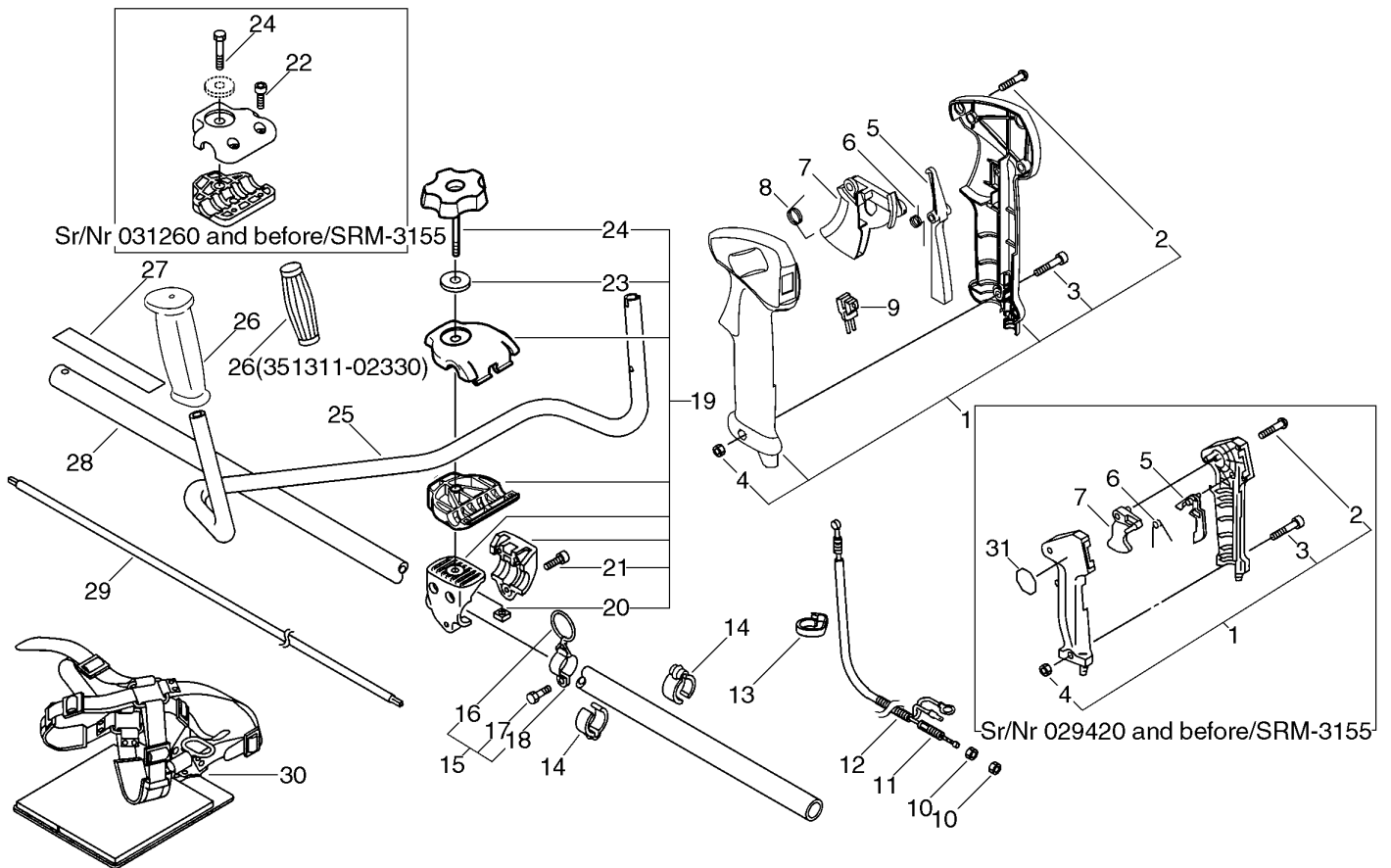


Bild	Artikelnummer	Anzahl	Beschreibung	Anmerkung	Bild	Artikelnummer	Anzahl	Beschreibung	Anmerkung
<b>SRM-3155/3155SI</b>									
1	351102-47530	1	GRIP ASY, F-HANDLE	Sr/Nr 029420 and before/SRM-3155	13	159112-09960	1	CLIP	
1	P021-002610	1	GRIP ASY, F-HANDLE	Sr/Nr 029421 and after/SRM-3155	14	224924-52930	2	CLIP	
1	P021-002610	1	GRIP ASY, F-HANDLE	SRM-3155SI	15	301200-05230	1	HOOK AS'Y	
2 +	900246-03025	4	SCREW 3*25	Sr/Nr 029420 and before/SRM-3155	16 +	301015-05330	1	HOOK, BAND	
2 +	900246-04016	3	SCREW 4*16	Sus. by 900253-04016	17 +	900105-05012	1	BOLT, H.S. 5*12	
2 +	900253-04016	3	SCREW 4*16	Sr/Nr 029421 and after/SRM-3155	18 +	301210-04630	1	HOOK	
2 +	900253-04016	3	SCREW 4*16	SRM-3155SI	19	351301-52930	1	BRACKET ASY, HANDLE	Sr/Nr 031260 and before/SRM-3155
3 +	900220-05030	1	SCREW 5*30		19	P021-002760	1	BRACKET ASY, HANDLE	Sr/Nr 031261 and after/SRM-3155
4 +	900500-00005	1	NUT 5		19	P021-002760	1	BRACKET ASY, HANDLE	SRM-3155SI
5	178012-05960	1	LOCKOUT, THROTTLE	Sr/Nr 029420 and before/SRM-3155	20 +	900565-50008	1	NUT	
5	C460-000010	1	LOCKOUT, THROTTLE	Sr/Nr 029421 and after/SRM-3155	21 +	900162-05030	3	BOLT, H.S. 5*30	
5	C460-000010	1	LOCKOUT, THROTTLE	SRM-3155SI	22 +	900162-05020	2	BOLT, H.S. 5*20	Sr/Nr 031260 and before/SRM-3155
6	178013-35631	1	SPRING, THR. LOCK	Sr/Nr 029420 and before/SRM-3155	23 +	605014-54230	1	WASHER	
6	V452-000050	1	SPRING, TORSION	Sr/Nr 029421 and after/SRM-3155	24 +	351421-52130	1	BOLT	Sr/Nr 031260 and before/SRM-3155
6	V452-000050	1	SPRING, TORSION	SRM-3155SI	24 +	V299-000110	1	KNOB, FASTENER	Sr/Nr 031261 and after/SRM-3155
7	178010-05960	1	CONTROL, THROTTLE	Sr/Nr 029420 and before/SRM-3155	24 +	V299-000110	1	KNOB, FASTENER	SRM-3155SI
7	C450-000020	1	TRIGGER, THROTTLE	Sr/Nr 029421 and after/SRM-3155	25	351214-52130	1	HANDLE, FRONT	Sus. by C400-000000
7	C450-000020	1	TRIGGER, THROTTLE	SRM-3155SI	25	C400-000000	1	HANDLE, FRONT	
8	V452-000060	1	SPRING, TORSION	Sr/Nr 029421 and after/SRM-3155	26	351311-02330	1	GRIP, HANDLE	Sr/Nr 029420 and before/SRM-3155
8	V452-000060	1	SPRING, TORSION	SRM-3155SI	26	C403-000030	1	GRIP, HANDLE	Sr/Nr 029421 and after/SRM-3155
9	163400-48030	1	SWITCH, IGNITION		26	C403-000030	1	GRIP, HANDLE	SRM-3155SI
10	900502-00006	2	NUT 6 (3N)		27	890617-46830	1	LABEL, CAUTION	Sus. by 890617-43130
11	178001-47530	1	WIRE, THROTTLE	Sr/Nr 029420 and before/SRM-3155	27	890617-43130	1	LABEL, CAUTION	
11	V430-000410	1	CABLE, BOWDEN	Sr/Nr 029421 and after/SRM-3155	28	610206-56930	1	HOUSING ASY, D.SHFT	
11	V430-000410	1	CABLE, BOWDEN	SRM-3155SI	29	610011-06230	1	SHAFT, DRIVE	
12	178127-47530	1	TUBE		30	301001-56830	1	HARNES, SHOULDER	Sus. by 301001-56831
					30	301001-56831	1	HARNES ASY, SHOULDER	
					31	890157-39130	1	LABEL, SWITCH	Sr/Nr 029420 and before/SRM-3155

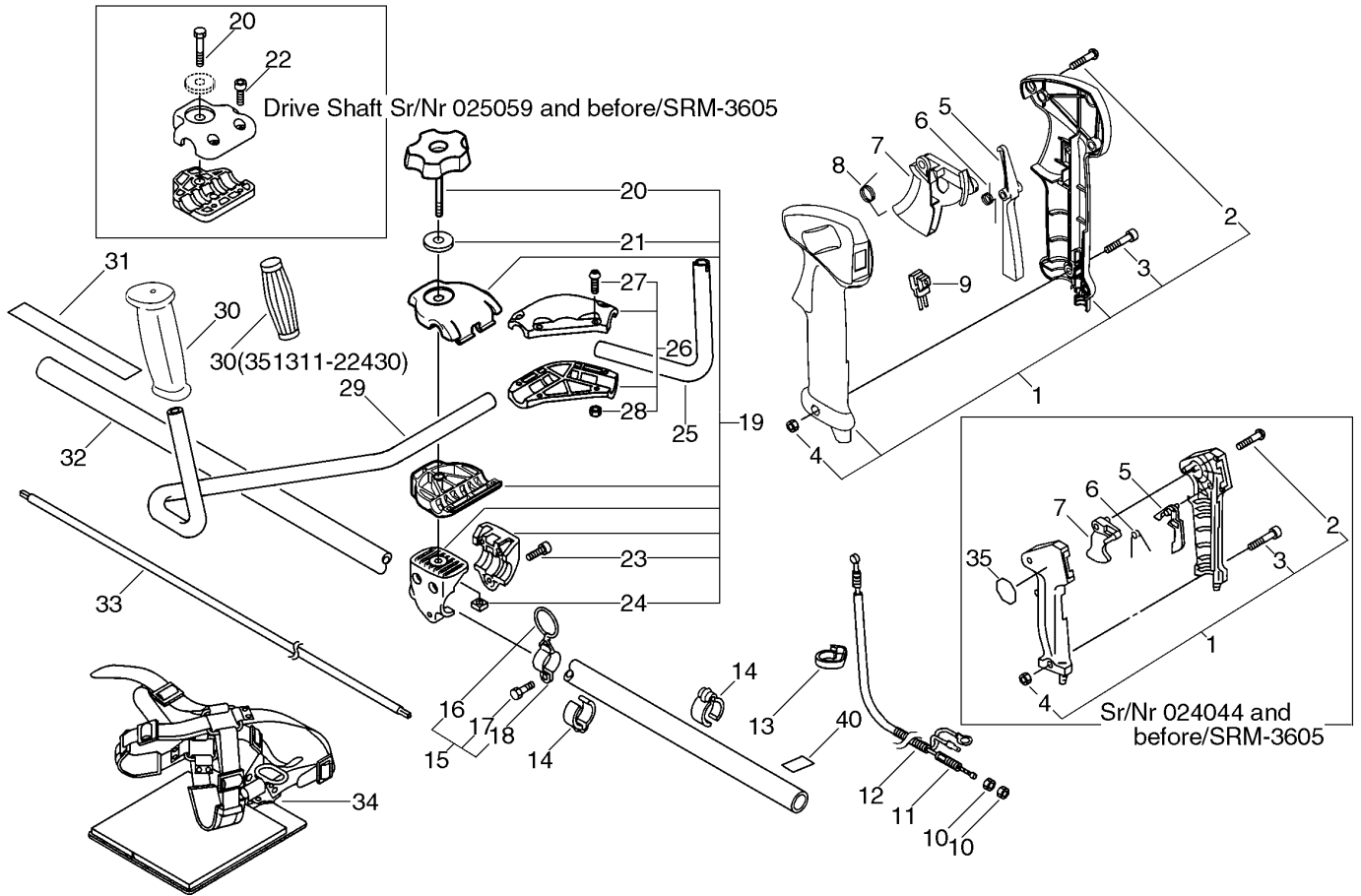


Bild	Artikelnummer	Anzahl	Beschreibung	Anmerkung	Bild	Artikelnummer	Anzahl	Beschreibung	Anmerkung
	SRM-3605/3605SI								
1	351102-47530	1	GRIP ASY, F-HANDLE	Sr/Nr 024044 and before/SRM-3605	15	301200-05230	1	HOOK ASY	
1	P021-002610	1	GRIP ASY, F-HANDLE	Sr/Nr 024045 and after/SRM-3605	16 +	301015-05330	1	HOOK, BAND	
1	P021-002610	1	GRIP ASY, F-HANDLE	SRM-3605SI	17 +	900105-05012	1	BOLT, H.S. 5*12	
2 +	900246-03025	4	SCREW 3*25	Sr/Nr 024044 and before/SRM-3605	18 +	301210-04630	1	HOOK	
2 +	900246-04016	3	SCREW 4*16	Sus. by 900253-04016	19	351301-52930	1	BRACKET ASY, HANDLE	Drive Shaft Sr/Nr 025059 and before/SRM-3
2 +	900253-04016	3	SCREW 4*16	Sr/Nr 024045 and after/SRM-3605	19	P021-002760	1	BRACKET ASY, HANDLE	Drive Shaft Sr/Nr 025060 and after/SRM-360
2 +	900253-04016	3	SCREW 4*16	SRM-3605SI	19	P021-002760	1	BRACKET ASY, HANDLE	SRM-3605SI
3 +	900220-05030	1	SCREW 5*30		20 +	351421-52130	1	BOLT	Drive Shaft Sr/Nr 025059 and before/SRM-3
4 +	900500-00005	1	NUT 5		20 +	V299-000110	1	KNOB, FASTENER	Drive Shaft Sr/Nr 025060 and after/SRM-360
5	178012-05960	1	LOCKOUT, THROTTLE	Sr/Nr 024044 and before/SRM-3605	20 +	V299-000110	1	KNOB, FASTENER	SRM-3605SI
5	C460-000010	1	LOCKOUT, THROTTLE	Sr/Nr 024045 and after/SRM-3605	21 +	605014-54230	1	WASHER	
5	C460-000010	1	LOCKOUT, THROTTLE	SRM-3605SI	22 +	900162-05020	2	BOLT, H.S. 5*20	Drive Shaft Sr/Nr 025059 and before/SRM-3
6	178013-35631	1	SPRING, THR. LOCK	Sr/Nr 024044 and before/SRM-3605	23 +	900162-05030	3	BOLT, H.S. 5*30	Drive Shaft Sr/Nr 025060 and after/SRM-360
6	V452-000050	1	SPRING, TORSION	Sr/Nr 024045 and after/SRM-3605	23 +	900162-05030	3	BOLT, H.S. 5*30	SRM-3605SI
6	V452-000050	1	SPRING, TORSION	SRM-3605SI	24 +	900565-50008	1	NUT	
7	178010-05960	1	CONTROL, THROTTLE	Sr/Nr 024044 and before/SRM-3605	25	351214-52931	1	HANDLE	
7	C450-000020	1	TRIGGER, THROTTLE	Sr/Nr 024045 and after/SRM-3605	26	351202-51430	1	BRACKET ASY, HANDLE	
7	C450-000020	1	TRIGGER, THROTTLE	SRM-3605SI	27 +	900162-05020	4	BOLT, H.S. 5*20	
8	V452-000060	1	SPRING, TORSION	Sr/Nr 024045 and after/SRM-3605	28 +	900500-00005	4	NUT 5	
8	V452-000060	1	SPRING, TORSION	SRM-3605SI	29	351010-52931	1	HANDLE, FRONT	
9	163400-48030	1	SWITCH, IGNITION		30	351311-22430	1	GRIP, HANDLE	Drive Shaft Sr/Nr 023799 and before/SRM-3
10	900502-00006	2	NUT 6 (3N)		30	C403-000030	1	GRIP, HANDLE	Drive Shaft Sr/Nr 023800 and after/SRM-360
11	178001-47530	1	WIRE, THROTTLE	Sr/Nr 024044 and before/SRM-3605	30	C403-000030	1	GRIP, HANDLE	SRM-3605SI
11	V430-000410	1	CABLE, BOWDEN	Sr/Nr 024045 and after/SRM-3605	31	890617-43130	1	LABEL, CAUTION	
11	V430-000410	1	CABLE, BOWDEN	SRM-3605SI	32	610206-56930	1	HOUSING ASY, D.SHFT	
12	178127-47530	1	TUBE		33	610011-06230	1	SHAFT, DRIVE	
13	159112-09960	1	CLIP		34	301001-56831	1	HARNESS ASY, SHOULDER	
14	224924-52930	2	CLIP		35	890157-39130	1	LABEL, SWITCH	Sr/Nr 024044 and before/SRM-3605
					40	890152-04930	1	LABEL, CAUTION	

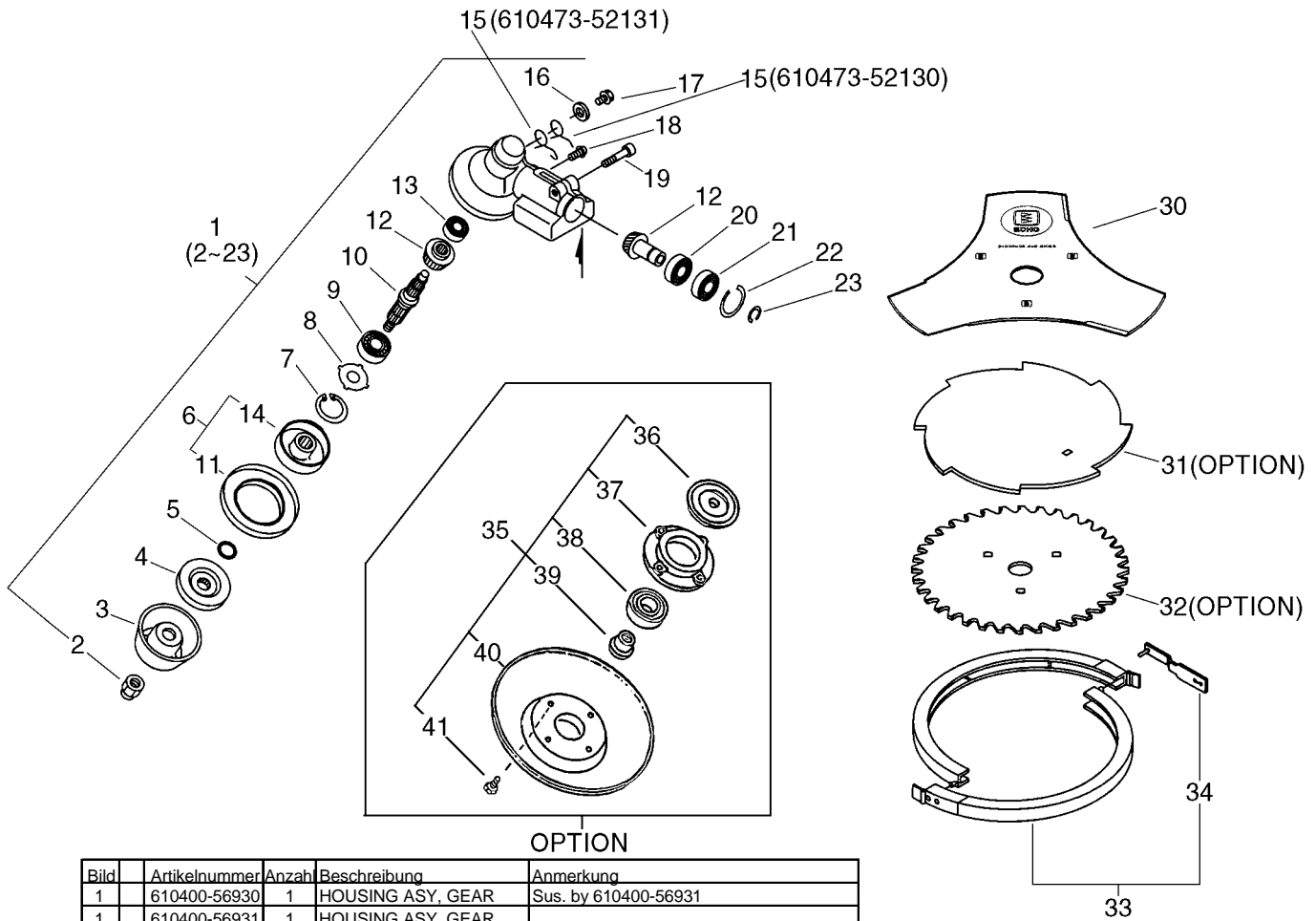


Bild	Artikelnummer	Anzahl	Beschreibung	Anmerkung
1	610400-56930	1	HOUSING ASY, GEAR	Sus. by 610400-56931
1	610400-56931	1	HOUSING ASY, GEAR	
2 +	610320-52130	1	NUT 10	
3 +	699229-56830	1	PLATE, COVER	
4 +	610314-52130	1	PLATE, ADAPTER (L)	
5 +	900720-00012	1	O-RING 12	
6 +	610313-52930	1	PLATE, ADAPTER (U)	Sus. by C535-000000
6 +	C535-000000	1	FIXTURE, BRADE	
11 ++	610352-56830	1	PLATE, CUP	
14 ++	C535-000010	1	FIXTURE, BRADE	
7 +	900702-00032	1	CIRCLIP 32	
8 +	610444-56830	1	WASHER	
9 +	900812-06201	1	BEARING, BALL 6201	
10 +	610310-56930	1	SHAFT, P.T.O.	
12 +	610300-56930	1	GEAR SET	
13 +	900810-00629	1	BEARING, BALL 629	
15 +	610473-52130	1	SPRING, TORSION	Can be used on the 610313-52930 only
15 +	610473-52131	1	SPRING, TORSION	Can be used on the C535-000000 only
16 +	900603-50008	1	WASHER	
17 +	610434-50030	1	BOLT 8* 6	Sus. by 610434-50031
17 +	610434-50031	1	BOLT 8* 8	
18 +	900242-05010	1	SCREW 5*10	
19 +	900162-06030	1	BOLT, H.S. 6*30	
20 +	900800-06001	1	BEARING, BALL 6001	
21 +	900807-06001	1	BEARING, BALL 6001	Drive Shaft Sr/Nr 013054 and before/SRM-3
21 +	900807-06001	1	BEARING, BALL 6001	Drive Shaft Sr/Nr 010697 and before/SRM-3
21 +	900803-06001	1	BEARING, BALL 6001	Drive Shaft Sr/Nr 013055 and after/SRM-31
21 +	900803-06001	1	BEARING, BALL 6001	Drive Shaft Sr/Nr 010698 and after/SRM-36
21 +	900803-06001	1	BEARING, BALL 6001	SRM-3155SI/3605SI
22 +	900702-00028	1	CIRCLIP 28	
23 +	900701-00012	1	CIRCLIP 12	
30	X405-000000	1	SAW,BUSH CUTTER	
33	898503-50030	1	SCABBARD KIT, BLADE	
34 +	898562-43230	1	FIXTURE, SCABBARD	
31	696001-55630	1	BLADE, 8-CUTTER 10IN	OPTION
32	695001-55630	1	SAW,CIRCULAR 10*80T	OPTION
35	699200-56830	1	CAP ASY, FREE	OPTION
36 +	610313-56830	1	PLATE, ADAPTER (U)	OPTION
37 +	699226-05430	1	HOLDER, BEARING	OPTION
38 +	900814-06202	1	BEARING, BALL 6202	OPTION
39 +	699227-04630	1	NUT	OPTION
40 +	699228-08930	1	PLATE, COVER	OPTION
41 +	900141-05012	4	BOLT 5*12	OPTION

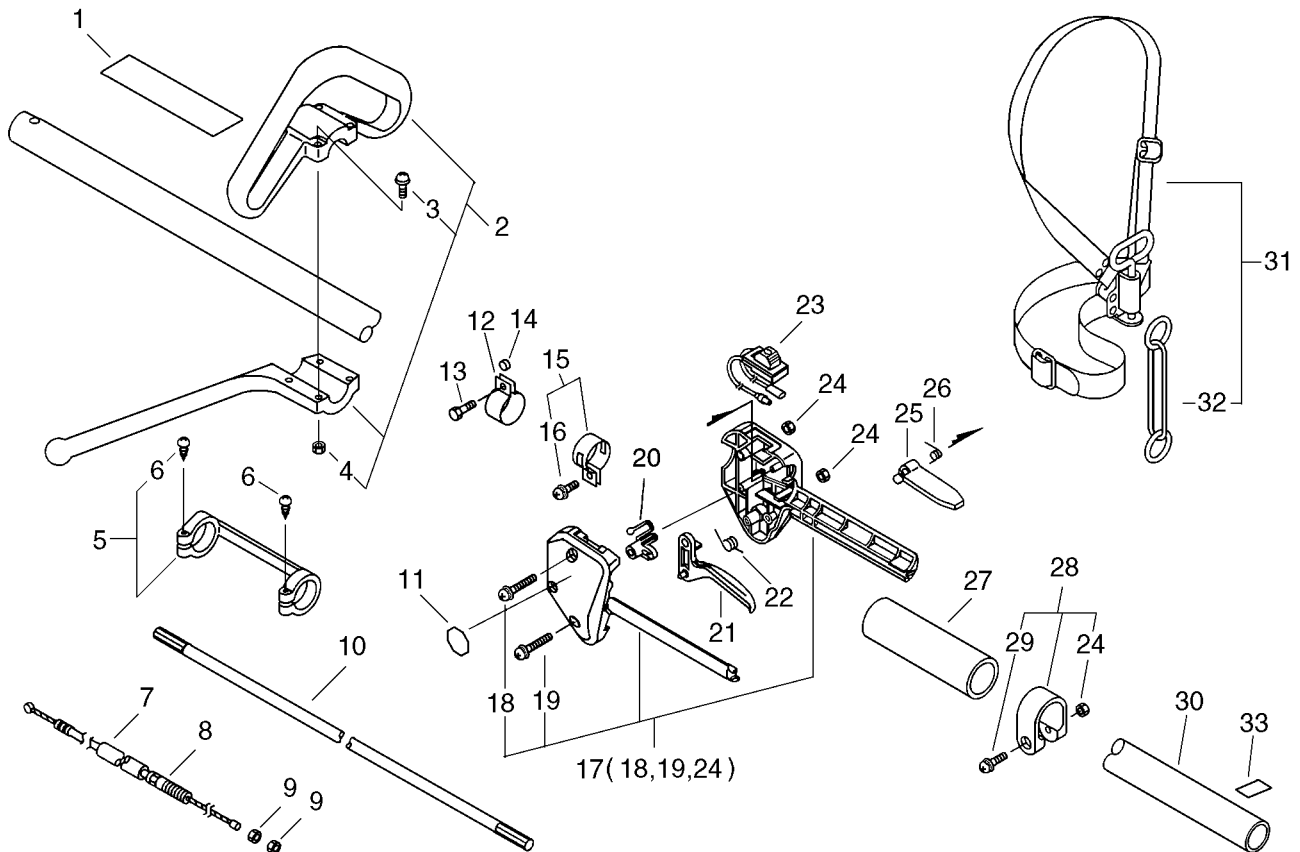
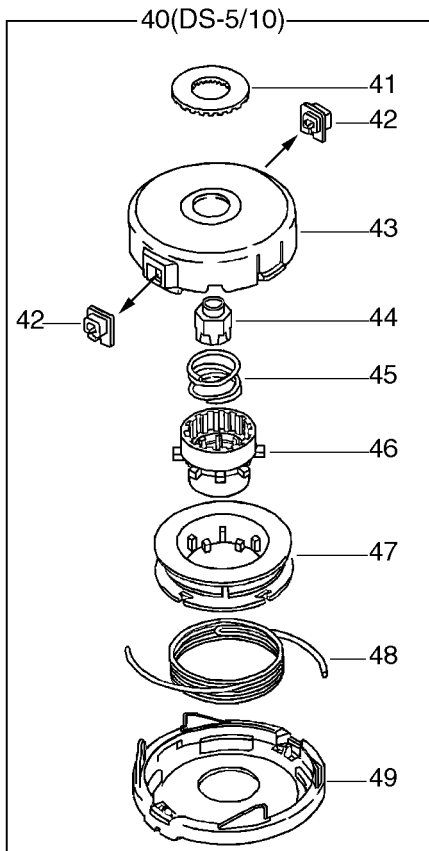
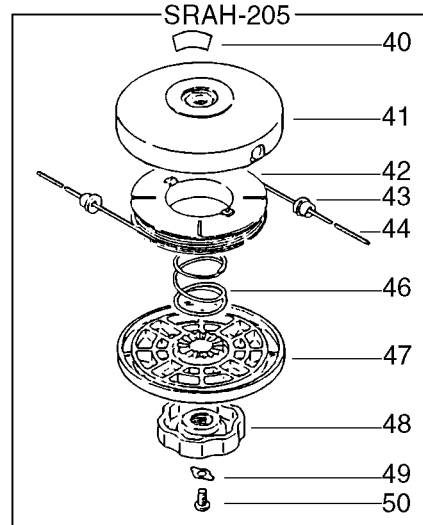
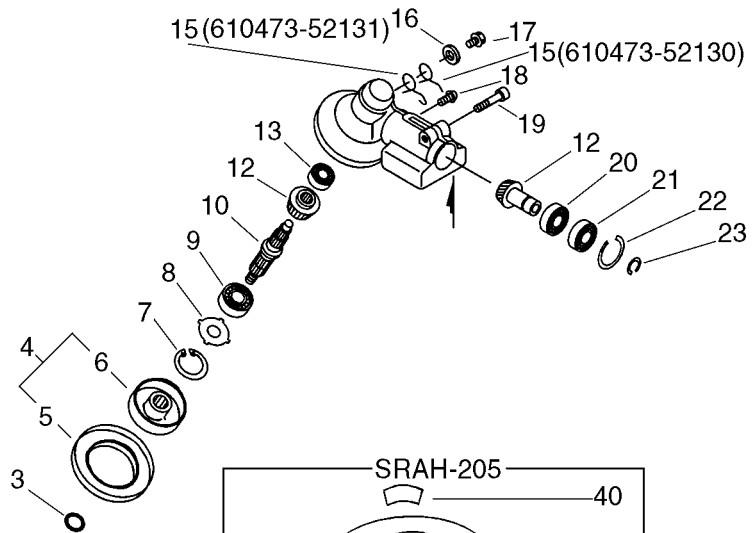


Bild	Artikelnummer	Anzahl	Beschreibung	Anmerkung
1	890177-46730	1	LABEL, CAUTION	Sus. by X505-000140
1	890617-63630	1	LABEL, CAUTION	Sus. by X505-000140
1	X505-000140	1	LABEL, CAUTION	
2	351201-55630	1	HANDLE ASY, LOOP	
3 +	900242-05035	4	SCREW 5*35	
4 +	900500-00005	4	NUT 5	
5	610281-42230	1	COLLER	
6 +	900253-04025	2	SCREW 4*25	
7	178001-51030	1	WIRE, THROTTLE	
8	162110-56530	1	TUBE	
9	900502-00006	2	NUT 6 (3N)	
10	610011-06230	1	SHAFT, DRIVE	
11	890157-39130	1	LABEL, SWITCH	
12	301207-07530	1	HOOK	
13	900100-05018	1	BOLT 5*18	
14	699012-03330	1	SPACER	
15	301200-42230	1	HOOK ASY	
16 +	900242-05014	1	SCREW 5*14	
17	178003-51830	1	BRACKET SET, THROTTLE	
18 +	900242-05035	1	SCREW 5*35	
19 +	900242-05025	1	SCREW 5*25	
24 +	900500-00005	2	NUT 5	
20	178012-52630	1	LOCKOUT, THROTTLE	
21	178010-52130	1	CONTROL, THROTTLE	
22	178043-42230	1	SPRING, THR. RETURN	
23	163400-49330	1	SWITCH, IGNITION	
25	178090-52630	1	LOCKOUT, T. CONTROL	
26	178013-52630	1	SPRING, THR. LOCK	
27	351213-51830	1	GRIP, FRONT HANDLE	
28	610272-51830	1	BAND	
24 +	900500-00005	1	NUT 5	
29 +	900242-05028	1	SCREW 5*28	
30	610206-56930	1	HOUSING ASY, D.SHFT	
31	301000-55230	1	HARNESS ASY	
32 +	301305-24330	1	LINK	
33	890152-04930	1	LABEL, CAUTION	SRM-3605/3605SI



Sr/Nr 026421 and after/SRM-3155  
Drive Shaft Sr/Nr 020649 and after/SRM-3605  
SRM-3155SI/3605SI



Sr/Nr 026420 and before/SRM-3155  
Drive Shaft Sr/Nr 020648 and before/SRM-3605

Bild	Artikelnummer	Anzahl	Beschreibung	Anmerkung	Bild	Artikelnummer	Anzahl	Beschreibung	Anmerkung
3	900720-00012	1	O-RING 12		47	696206-28232	1	COVER, DRUM (BL)	Drive Shaft Sr/Nr 020648 and before/SRM-3605
4	610313-52930	1	PLATE, ADAPTER (U)	Sus. by C535-000000	48	696219-28231	1	NUT (BL)	Sr/Nr 026420 and before/SRM-3155
4	C535-000000	1	FIXTURE, BRADE		48	696219-28231	1	NUT (BL)	Drive Shaft Sr/Nr 020648 and before/SRM-3605
5 +	610352-56830	1	PLATE, CUP		49	696220-06030	1	STOPPER, NUT	Sr/Nr 026420 and before/SRM-3155
6 +	C535-000010	1	FIXTURE, BRADE		49	696220-06030	1	STOPPER, NUT	Drive Shaft Sr/Nr 020648 and before/SRM-3605
7	900702-00032	1	CIRCLIP 32		50	900220-06010	1	SCREW 6*10	Sr/Nr 026420 and before/SRM-3155
8	610444-56830	1	WASHER		50	900220-06010	1	SCREW 6*10	Drive Shaft Sr/Nr 020648 and before/SRM-3605
9	900812-06201	1	BEARING, BALL 6201		40	X047-000070	1	CUTTER,ASM LINE	Sr/Nr 026421 and after/SRM-3155
10	610310-56930	1	SHAFT, P.T.O.		40	X047-000070	1	CUTTER,ASM LINE	Drive Shaft Sr/Nr 020649 and after/SRM-3605
12	610300-56930	1	GEAR SET		40	X047-000070	1	CUTTER,ASM LINE	SRM-3155SI/3605SI
13	900810-00629	1	BEARING, BALL 629		41 +	V332-000000	1	WASHER,CIRCULAR 24	Sr/Nr 026421 and after/SRM-3155
15	610473-52130	1	SPRING, TORSION	Can be used on the 610313-52930 only	41 +	V332-000000	1	WASHER,CIRCULAR 24	Drive Shaft Sr/Nr 020649 and after/SRM-3605
15	610473-52131	1	SPRING, TORSION	Can be used on the C535-000000 only	41 +	V332-000000	1	WASHER,CIRCULAR 24	SRM-3155SI/3605SI
16	900603-50008	1	WASHER		42 +	P022-000710	2	EYELET	Sr/Nr 026421 and after/SRM-3155
17	610434-50030	1	BOLT 8* 6	Sus. by 610434-50031	42 +	P022-000710	2	EYELET	Drive Shaft Sr/Nr 020649 and after/SRM-3605
17	610434-50031	1	BOLT 8* 8		42 +	P022-000710	2	EYELET	SRM-3155SI/3605SI
18	900242-05010	1	SCREW 5*10		43 +	X470-000000	1	DRUM,REEL	Sus. by P022-005040
19	900162-06030	1	BOLT, H.S. 6*30		43 +	P022-005040	1	HOUSING	Sr/Nr 026421 and after/SRM-3155
20	900800-06001	1	BEARING, BALL 6001		43 +	P022-005040	1	HOUSING	Drive Shaft Sr/Nr 020649 and after/SRM-3605
21	900807-06001	1	BEARING, BALL 6001	Drive Shaft Sr/Nr 013404 and before/SRM-3155	43 +	P022-005040	1	HOUSING	SRM-3155SI/3605SI
21	900807-06001	1	BEARING, BALL 6001	Drive Shaft Sr/Nr 010697 and before/SRM-3605	44 +	P022-001160	1	NUT	Sr/Nr 026421 and after/SRM-3155
21	900803-06001	1	BEARING, BALL 6001	Drive Shaft Sr/Nr 013405 and after/SRM-3155	44 +	P022-001160	1	NUT	Drive Shaft Sr/Nr 020649 and after/SRM-3605
21	900803-06001	1	BEARING, BALL 6001	Drive Shaft Sr/Nr 010698 and after/SRM-3605	44 +	P022-001160	1	NUT	SRM-3155SI/3605SI
22	900702-00028	1	CIRCLIP 28		45 +	P022-001200	1	SPRING	Sr/Nr 026421 and after/SRM-3155
23	900701-00012	1	CIRCLIP 12		45 +	P022-001200	1	SPRING	Drive Shaft Sr/Nr 020649 and after/SRM-3605
40	890617-46730	1	LABEL, CAUTION	Sr/Nr 026420 and before/SRM-3155	45 +	P022-001200	1	SPRING	SRM-3155SI/3605SI
40	890617-46730	1	LABEL, CAUTION	Drive Shaft Sr/Nr 020648 and before/SRM-3605	46 +	P022-001310	1	TAP KNOB	Sr/Nr 026421 and after/SRM-3155
41	696210-56930	1	DRUM, REEL	Sr/Nr 026420 and before/SRM-3155	46 +	P022-001310	1	TAP KNOB	Drive Shaft Sr/Nr 020649 and after/SRM-3605
41	696210-56930	1	DRUM, REEL	Drive Shaft Sr/Nr 020648 and before/SRM-3605	46 +	P022-001310	1	TAP KNOB	SRM-3155SI/3605SI
42	696214-06830	1	REEL, CORD	Sr/Nr 026420 and before/SRM-3155	47 +	P022-001180	1	BOBBIN	Sr/Nr 026421 and after/SRM-3155
42	696214-06830	1	REEL, CORD	Drive Shaft Sr/Nr 020648 and before/SRM-3605	47 +	P022-001180	1	BOBBIN	Drive Shaft Sr/Nr 020649 and after/SRM-3605
43	696212-06032	2	EYELET	Sr/Nr 026420 and before/SRM-3155	47 +	P022-001180	1	BOBBIN	SRM-3155SI/3605SI
43	696212-06032	2	EYELET	Drive Shaft Sr/Nr 020648 and before/SRM-3605	48 +	P022-000730	1	NYLON CODE	Sr/Nr 026421 and after/SRM-3155
44	696215-22830	2	CORD, NYLON(2.4*2.5)	Sr/Nr 026420 and before/SRM-3155	48 +	P022-000730	1	NYLON CODE	Drive Shaft Sr/Nr 020649 and after/SRM-3605
44	696215-22830	2	CORD, NYLON(2.4*2.5)	Drive Shaft Sr/Nr 020648 and before/SRM-3605	48 +	P022-000730	1	NYLON CODE	SRM-3155SI/3605SI
46	696216-06030	1	SPRING	Sr/Nr 026420 and before/SRM-3155	49 +	P022-001190	1	COVER	Sus. by P022-005030
46	696216-06030	1	SPRING	Drive Shaft Sr/Nr 020648 and before/SRM-3605	49 +	P022-005030	1	COVER	Sr/Nr 026421 and after/SRM-3155
47	696206-28232	1	COVER, DRUM (BL)	Sr/Nr 026420 and before/SRM-3155	49 +	P022-005030	1	COVER	Drive Shaft Sr/Nr 020649 and after/SRM-3605
					49 +	P022-005030	1	COVER	SRM-3155SI/3605SI

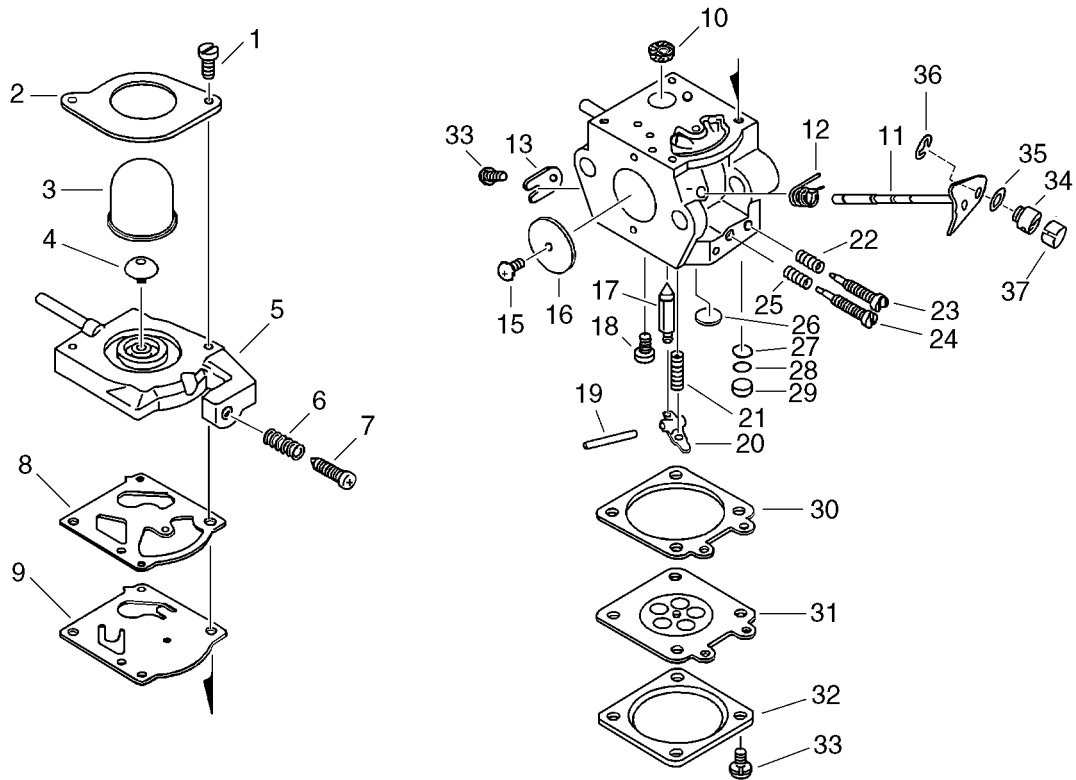


Bild	Artikelnummer	Anzahl	Beschreibung	Anmerkung
	123000-55630	1	CARBURETOR WT-344	
1 +	123110-43130	2	SCREW	
2 +	123142-09560	1	COVER, PRIMER PUMP	
3 +	123181-09560	1	PUMP, PRIMER	
4 +	123171-35630	1	VALVE, CHECK	
5 +	123124-43130	1	COVER, FUEL PUMP	
6 +	123133-04260	1	SPRING, IDLE ADJUST	
7 +	123134-04260	1	SCREW, IDLE ADJUST	
8 +	123125-09560	1	GASKET, FUEL PUMP	
9 +	123112-09560	1	DIAPHRAGM, FUEL PUMP	
10 +	123126-10631	1	SCREEN, INLET	
11 +	123117-55630	1	SHAFT, THROTTLE	
12 +	123113-47530	1	SPRING, THR. RTN.	
13 +	123127-03930	1	CLIP, THROTTLE SHAFT	
15 +	123114-03930	1	SCREW	Sr/Nr 002500(SRM-3155),002300(SRM-3155)
15 +	123114-03930	1	SCREW	SRM-3155SI/3605SI
15 +	123114-38830	1	SCREW	Sr/Nr 002501(SRM-3155),002301(SRM-3155)
15 +	123114-38830	1	SCREW	SRM-3155SI/3605SI
16 +	123116-23230	1	VALVE, THROTTLE	
17 +	123137-04260	1	VALVE, INLET NEEDLE	
18 +	123139-03930	1	SCREW, M. LEVER PIN	
19 +	123138-03930	1	PIN, METERING LEVER	
20 +	123123-03930	1	LEVER, METERING	
21 +	123122-06530	1	SPRING, METER. LEVER	
22 +	123119-22130	1	SPRING, NEEDLE	
23 +	123120-09560	1	NEEDLE, HIGH SPEED	
24 +	123118-24430	1	NEEDLE, IDLE	
25 +	123121-22130	1	SPRING, NEEDLE	
26 +	123146-10631	1	PLUG, WELCH	
27 +	123168-10630	1	SCREEN	
28 +	123169-10630	1	RING, RETAINING	
29 +	123146-17330	1	PLUG, CUP	
30 +	123140-27230	1	GASKET, M. DIAPHRAGM	
31 +	123141-03930	1	DIAPHRAGM, METERING	
32 +	123142-03930	1	COVER, M. DIAPHRAGM	
33 +	123130-02960	5	SCREW	
34 +	123172-26030	1	SWIVEL	
35 +	123149-26030	1	WASHER	
36 +	123173-07930	1	CLIP	
37	101121-56430	1	FLAT SPRING	SRM-3605/3605SI

**ECHO**®

**Motorgeräte**

*die geh'n ran*