

ERSATZTEILLISTE

ECHO Motorsense SRMF-3

ECHO-Motorgeräte
Vertrieb Deutschland GmbH
Otto-Schott-Str. 7

72555 Metzingen

Telefon 07123-1091
Telefax 07123-2589
<http://www.echo-shop.de>
email: info@echo-shop.de

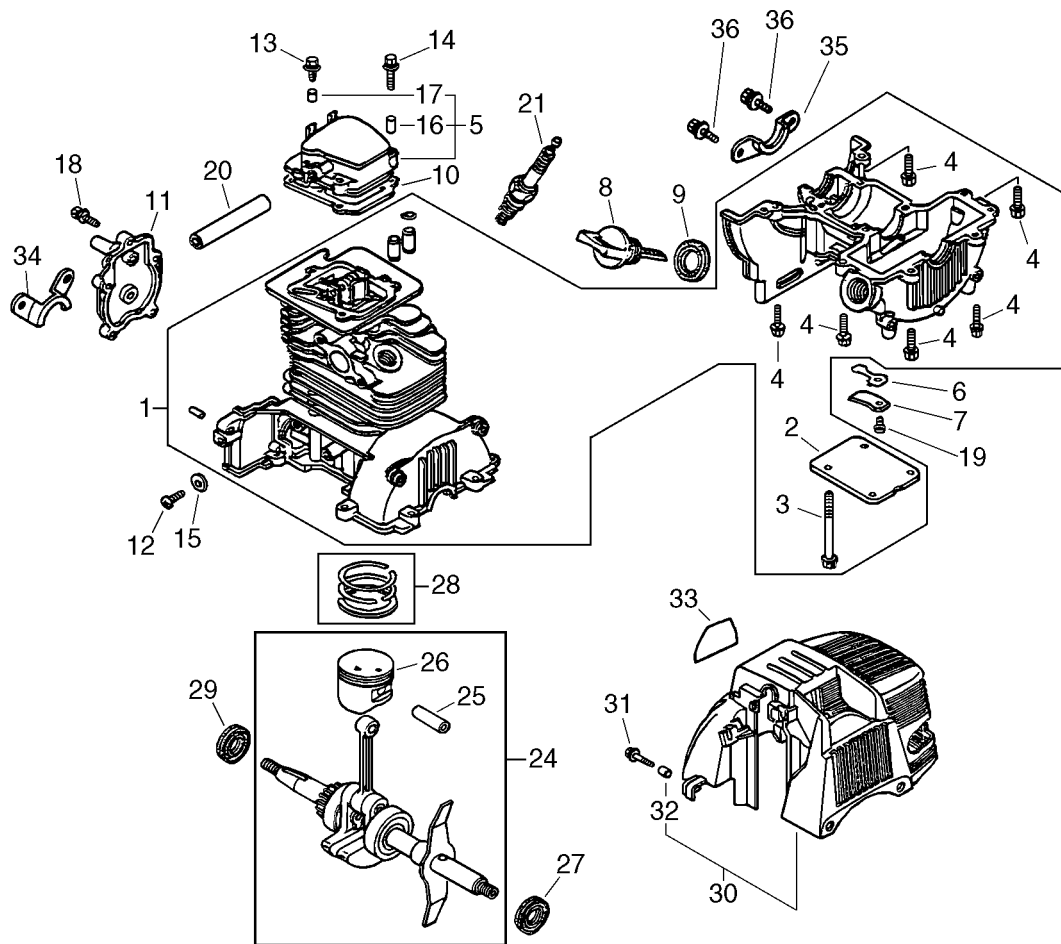


Bild	Artikelnummer	Anzahl	Beschreibung	Anmerkung	Bild	Artikelnummer	Anzahl	Beschreibung	Anmerkung
1	11010-ZM5-010	1	CRANKCASE SET COMP		19	93500-03005-0A	1	SCREW,PAN 3X5	
2 +	15511-ZM3-000	1	COVER,OIL OUTLET VALVE		20	95005-70068-30	1	TUBE, 7X68 (95005-70001-30M)	
3 +	90003-ZM3-000	4	BOLT,FLANGE 5X55		21	98056-55777	1	PLUG,SPARK (CR5HSB)	
4 +	90005-ZM3-000	6	BOLT,FLANGE 5X18		24	13310-ZM5-010	1	CRANKSHAFT COMP	Sus. by 13310-ZM5-030
5	12310-ZM3-003	1	COVER COMP.HEAD		24	13310-ZM5-020	1	CRANKSHAFT COMP	Sus. by 13310-ZM5-030
16 +	91501-ZM3-000	2	COLLAR,HEAD COVER	Sus. by 91501-ZM3-010	24	13310-ZM5-030	1	CRANKSHAFT COMP	
16 +	91501-ZM3-010	2	COLLAR,HEAD COVER		25 +	13111-ZM5-000	1	PIN,PISTON	
17 +	91506-ZM3-000	1	COLLAR A,HEAD COVER		26 +	13101-ZM5-000	1	PISTON	Sus. by 13101-ZM5-020
6	15571-ZM3-003	1	VALVE,OIL OUTLET		26 +	13101-ZM5-020	1	PISTON	
7	15572-ZM3-000	1	PLATE,STOPPER		27	91213-ZM3-003	1	OIL SEAL, 12X25X6	
8	15620-ZM3-003	1	CAP,OIL FILLER		28	13010-ZM5-000	1	RING SET,PISTON	
9	15625-ZE1-003	1	PACKING,OIL FILLER CAP		29	91214-ZM3-003	1	OIL SEAL, 15X25X6	
10	12312-ZM3-020	1	PACKING,HEAD COVER		30	19720-ZM3-U30ZA	1	COVER COMP., TOP *T84*	
11	14121-ZM5-010	1	COVER,CAMSHAFT		32 +	91502-ZM3-000	2	COLLAR, TOP COVER	
12	90011-ZM3-000	1	SCREW,PAN, 6X8		31	90112-GK8-010	2	BOLT, FLANGE, 5X22	
13	90002-ZM3-000	1	BOLT,FLANGE 5X14		33	890115-66630	1	MODEL,LABEL	Sus. by 890115-66631
14	90001-ZM3-000	2	BOLT,FLANGE 5X22		33	890115-66631	1	MODEL,LABEL	
15	90481-GW3-000	1	WASHER,SEALING 6.5MM		34	11113-ZM3-000	1	GUARD A,GRASS	
18	93401-04016-00	5	BOLT-WASHER 4X16		35	11114-ZM3-000	1	GUARD A,GRASS	
					36	93401-04010-00	2	BOLT-WASHER 4X10	

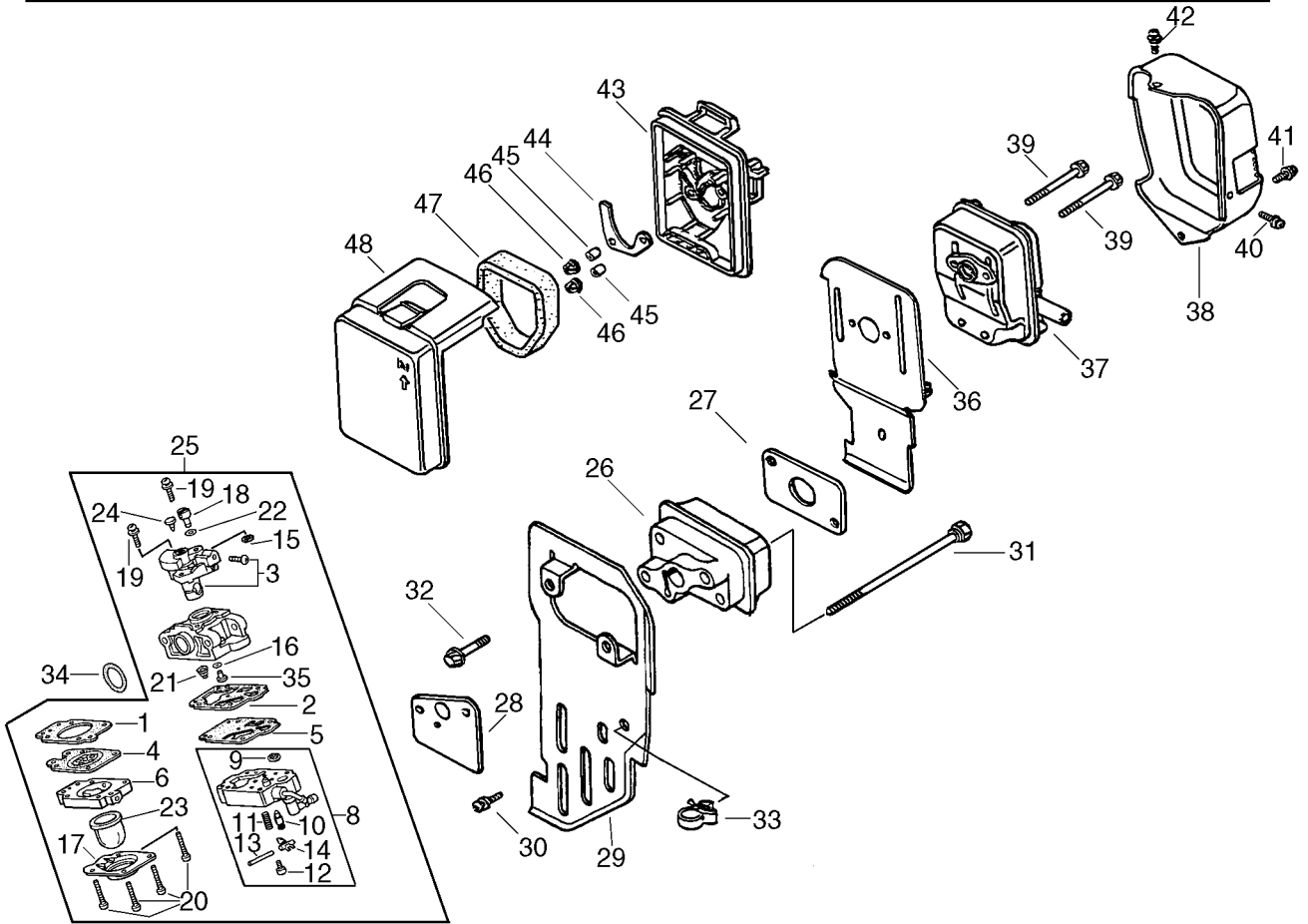


Bild	Artikelnummer	Anzahl	Beschreibung	Anmerkung
25	16100-ZM5-814	1	CARBURETOR ASY.	Sus. by 16100-ZM5-824
25	16100-ZM5-824	1	CARBURETOR ASY.	
1	+ 16010-ZM3-004	1	GASKET, METERING DIAPHRAGM	
2	+ 16011-ZM3-014	1	GASKET, PUMP	
3	+ 16012-ZM5-004	1	THROTTLE VALVE ASY	
4	+ 16013-ZM3-004	1	DIAPHRAGM ASY., METERING	
5	+ 16014-ZM3-004	1	DIAPHRAGM, PUMP	
6	+ 16017-ZM3-004	1	BODY ASY.,AIR PURGE	
8	+ 16015-ZM3-004	1	BODY ASY.,PUMP	
9	++ 16018-ZM3-004	1	SCREEN,,INRET	
10	++ 16019-ZM3-004	1	VALVE, INLET NEEDLE	
11	++ 16020-ZM3-004	1	SPRING, METERING LEVER	
12	++ 16021-ZM3-004	1	SPRING, METERING LEVER PIN	
13	++ 16022-ZM3-004	1	PIN, METERING LEVER	
14	++ 16023-ZM3-004	1	LEVER, METERING	
15	+ 16024-ZM3-004	1	RING, SPRING RETAINING	
16	+ 16025-ZM3-004	1	O-RING	
17	+ 16026-ZM3-004	1	COVER, PRIMER PUMP	
18	+ 16027-ZM3-004	1	SWIVEL	
19	+ 16028-ZM3-004	2	SCREW, THROTTLE COVER	
20	+ 16029-ZM3-004	4	SCREW, PUMP COVER	
21	+ 16030-ZM3-004	1	SPRING, PUMP	
22	+ 16031-ZM3-004	1	WASHER	
23	+ 16032-ZM3-004	1	PUMP, PRIMER	

Bild	Artikelnummer	Anzahl	Beschreibung	Anmerkung
24	+ 16033-ZM3-004	1	PLUG	
35	+ 99101-ZM3-0420	1	JET (#42)	
26	16211-ZM3-U30	1	INSULATOR,CARBURETOR	
27	16212-ZM3-000	1	PACKING, INSULATOR	
28	16221-ZM3-000	1	PACKING, CABURETOR	
29	19651-ZM3-U30	1	GUIDE,AIR INLET	
30	93894-05010-00	1	SCREW-WASHER 5X10	
31	90010-ZM3-000	2	BOLT, HEX., 5X75	
32	90112-ZM3-U30	2	BOLT, FLANGE 5X32	
33	90659-680-013	1	CLIP, WIRE HARNESS	
34	91301-ZM3-000	1	O-RING 14.8X2.4	
36	18515-ZM3-810	1	GUIDE, AIR EX	
37	18310-ZM3-000	1	MUFFLER COMP.	
38	19722-ZM3-000	1	INNER COVER, TOP	
39	90004-ZM3-000	2	BOLT FLANGE, 5X50	
40	93891-05008-00	1	SCREW-WASHER, 5X8	
41	93894-05010-00	1	SCREW-WASHER, 5X10	
42	93894-05016-00	1	SCREW-WASHER, 5X16	
43	17220-ZM3-000ZB	1	CASE COMP., AIR CLEANER *NH1*BLACK	
44	17204-ZM3-000	1	PLATE, OIL TRAP	
45	91503-ZM3-000	2	COLLER, AIR CLEANER	
46	94050-05000	2	NUT, FLANGE 5MM	
47	17211-ZM3-000	1	ELEMENT, AIR CLENER	
48	17231-ZM3-000ZB	1	COVER, AIR CLEANER *NH1*BLACK	

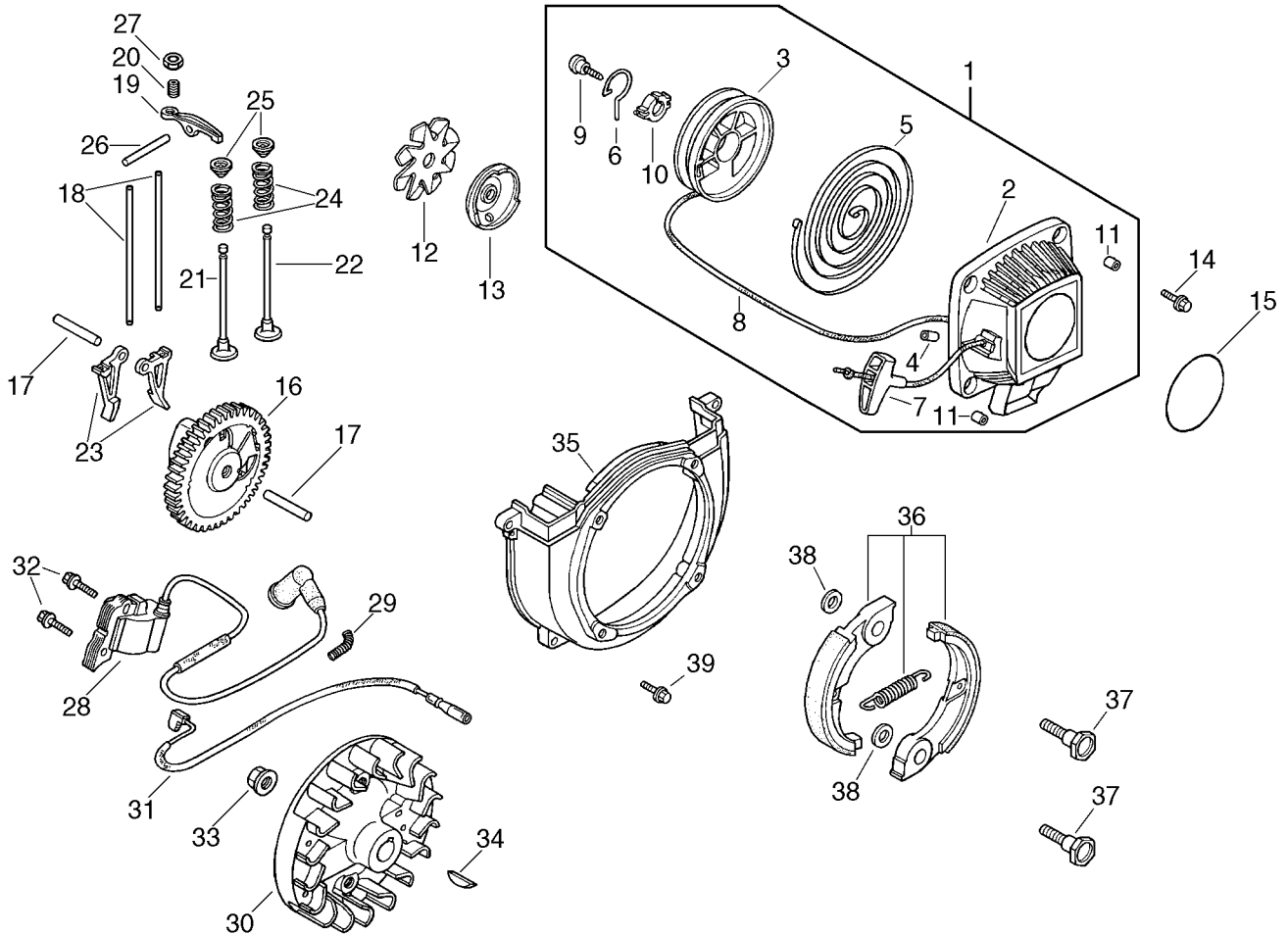


Bild	Artikelnummer	Anzahl	Beschreibung	Anmerkung
1	28400-ZM3-U31ZA	1	STARTER ASY., RECOIL *NH1*BLACK	
2	+ 3414-ZM3-U31ZA	1	CASE, RECOIL STARTER	
3	+ 28421-ZM3-003	1	REEL, RECOIL STARTER	
4	+ 28433-ZM3-003	1	GUIDE, ROPE	
5	+ 28442-ZM3-003	1	SPRING, RECOIL STARTER	
6	+ 28459-ZM3-003	1	ARM, SWING	
7	+ 28461-ZM3-003	1	KNOB, RECOIL STARTER	
8	+ 28462-ZM3-003	1	ROPE, RECOIL STARTER	
9	+ 90012-ZM3-003	1	SCREW SET	
10	+ 91504-ZM3-003	1	COLLAR	
11	+ 91505-ZM3-003	4	COLLAR	
12	28447-ZM3-000	1	FAN, RATCHET	
13	28451-ZM3-003	1	PULLEY, RECOIL STARTER	
14	90005-ZM3-000	4	BOLT, FLANGE 5X18	
15	890118-49330	1	LABEL, ECHO	
16	14100-ZM3-000	1	CAMSHAFT ASY.	Sus. by 14100-ZM3-010
16	14100-ZM3-010	1	CAMSHAFT ASY.	
17	14126-ZM3-000	2	ROLLER (5X23.8)	
18	14410-ZM3-000	2	ROD, PUSH	
19	14431-ZM3-000	2	ARM, VALVE ROCKER ARM	

Bild	Artikelnummer	Anzahl	Beschreibung	Anmerkung
20	14451-ZM3-000	2	PIVOT, ROCKER ARM	
21	14711-ZM5-000	1	VALVE, IN	
22	14721-ZM3-000	1	VALVE, EX	
23	14731-ZM3-003	2	LIFTER, VALVE	
24	14751-ZM3-000	2	SPRING, VALVE	
25	14771-ZM3-000	2	RETAINER, VALVE SPRING	Sus. by 14771-ZM3-010
25	14771-ZM3-010	2	RETAINER, VALVE SPRING	
26	41313-PL3-000	1	ROLLER, 4X28	
27	90206-ZM3-000	2	NUT, TAPPET ADJUSTING	
28	30500-ZM3-003	1	COIL ASY., IGNITION	
29	30519-ZM3-000	1	TUBE A, CORRUGATED (7X18)	
30	31110-ZM5-013	1	FLYWHEEL COMP	
31	32195-ZM3-000	1	CORD, STOP SWITCH	
32	93401-05016-00	2	BOLT-WASHER, 5X16	
33	94050-10000	1	NUT, FLANGE, 10MM	
34	94401-16120	1	KEY, WOODRUFF, 16X12	
35	19611-ZM5-000	1	COVER, FAN	
36	22000-ZM5-003	1	CLUTCH ASY.	
37	22253-ZM5-003	2	BOLT, CLUTCH (8MM)	
38	22254-ZM5-003	2	WASHER, CLUTCH (8X17)	
39	90005-ZM3-000	2	BOLT, FLANGE 5X18	

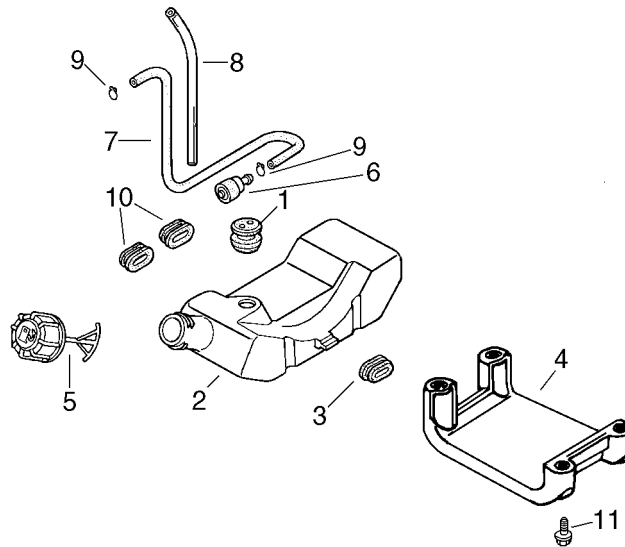


Bild	Artikelnummer	Anzahl	Beschreibung	Anmerkung
1	17504-ZM3-003	1	GROMMET, FUEL TUBE	
2	17511-ZM5-003	1	TANK, FUEL	
3	17532-ZM3-010	1	RUBBER A, TANK MOUNTING	
4	17555-ZM3-U30ZA	1	GUARD COMP, TANK *NH1*	
5	17620-ZM3-814	1	CAP ASY., FUEL TANK	
6	17672-ZM3-003	1	FILTER, FUEL	
7	17701-ZM3-003	1	TUBE, FUEL	
8	17702-ZM3-003	1	TUBE, FUEL RETURN	
9	91401-ZM3-003	2	CLIP, TUBE	
10	17533-ZM3-000	2	RUBBER B, TANK MOUNTING	
11	90012-ZM3-U30	4	BOLT, FLANGE 5X14	

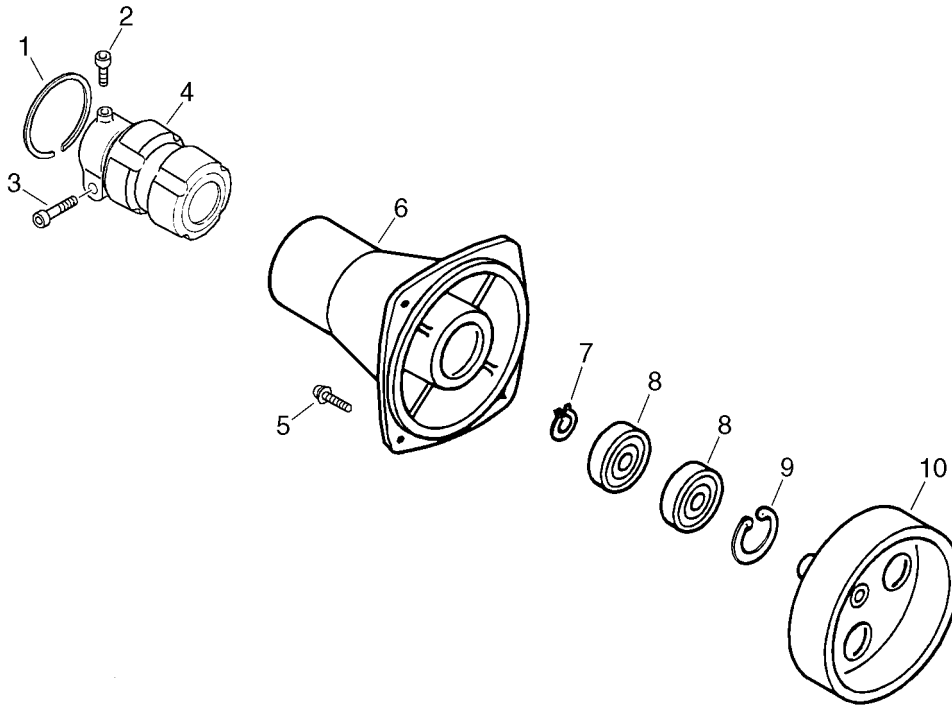


Bild	Artikelnummer	Anzahl	Beschreibung	Anmerkung
1	900702-00045	1	RING, RETAINING(IN)	
2	900162-05012	1	BOLT, H.S. 5*12	
3	900162-05028	1	BOLT, H.S. 5*28	
4	610910-66630	1	CUSHION	Sus. by 610910-66632
4	610910-66631	1	CUSHION	Sus. by 610910-66632
4	610910-66632	1	CUSHION	
5	900162-06018	4	BOLT, HSH	
6	610223-66630	1	CASE, CLUTCH DRUM	
7	900701-00012	1	CIRCLIP 12	
8	900807-06001	2	BEARING, BALL 6001	
9	900702-00028	1	CIRCLIP 28	
10	175005-66630	1	DRUM, CLUTCH	

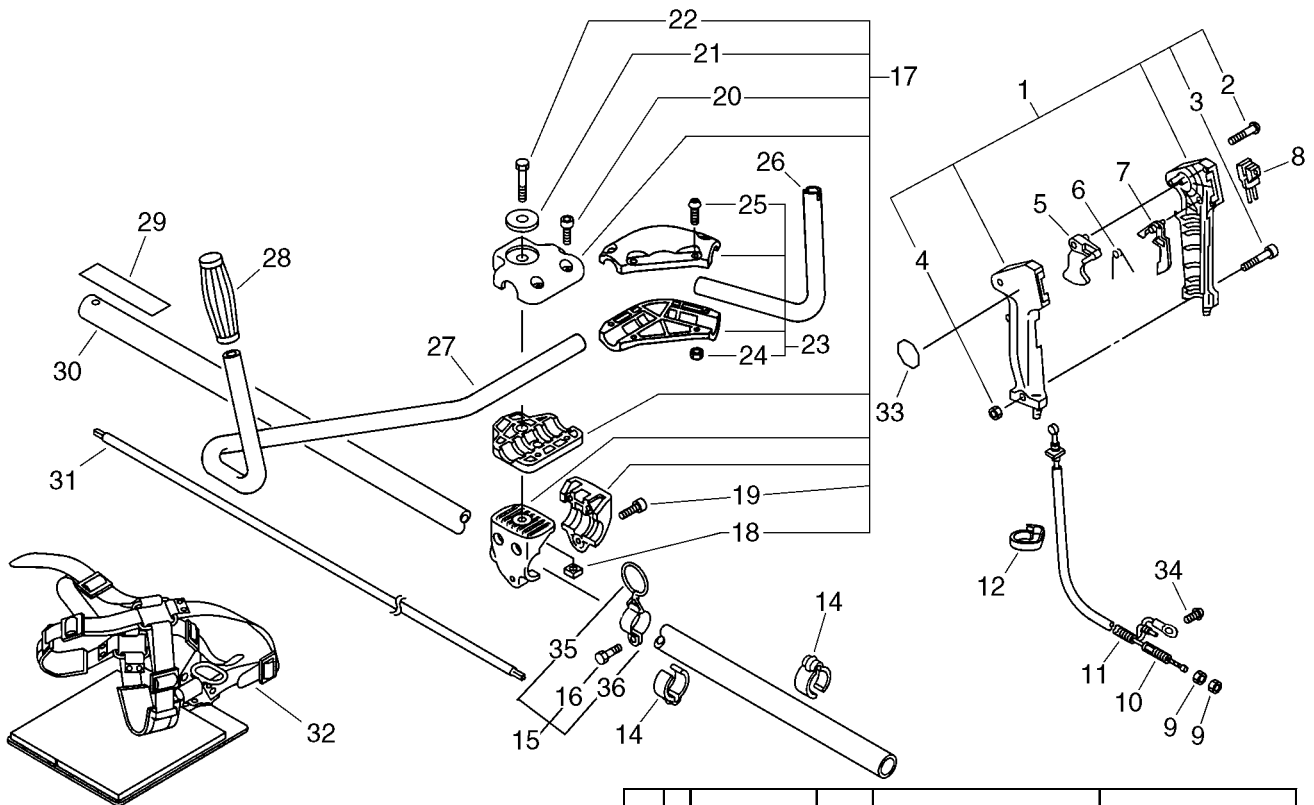


Bild	Artikelnummer	Anzahl	Beschreibung	Anmerkung
1	351102-47530	1	GRIP ASY, F-HANDLE	
2 +	900246-03025	4	SCREW 3*25	
3 +	900220-05030	1	SCREW 5*30	
4 +	900500-00005	1	NUT 5	
5	178010-05960	1	CONTROL, THROTTLE	
6	178013-35631	1	SPRING, THR. LOCK	
7	178012-05960	1	LOCKOUT, THROTTLE	
8	163400-66730	1	SWITCH, ON OFF	
9	900502-00006	2	NUT 6 (3N)	
10	178001-66730	1	CABLE, THROTTLE	
11	178127-47530	1	TUBE	
12	159112-09960	1	CLIP	
14	224924-52930	2	CLIP	
15	301200-05230	1	HOOK AS'Y	
16 +	900105-05012	1	BOLT, H.S. 5*12	
35 +	301015-05330	1	HOOK BAND	
36 +	301210-04630	1	HOOK	
17	351301-52930	1	BRACKET ASSY, HANDLE	
18 +	900565-50008	1	NUT	
19 +	900162-05030	3	BOLT, H.S. 5*30	
20 +	900162-05020	2	BOLT, H.S. 5*20	
21 +	605014-54230	1	WASHER	
22 +	351421-52130	1	BOLT	
23	351202-51430	1	BRACKET ASSY, HANDLE	
24 +	900500-00005	4	NUT 5	
25 +	900162-05020	4	BOLT, H.S. 5*20	
26	351214-52931	1	HANDLE	
27	351010-52931	1	HANDLE, FRONT	
28	351311-22430	1	GRIP, HANDLE	
29	890617-43130	1	LABEL, CAUTION	
30	610206-56930	1	HOUSING ASY, D.SHFT	
31	610011-06230	1	SHAFT, DRIVE	
32	301001-56831	1	HARNES ASY, SHOULDER	
33	890157-39130	1	LABEL, SWITCH	
34	900242-05010	1	SCREW 5*10	

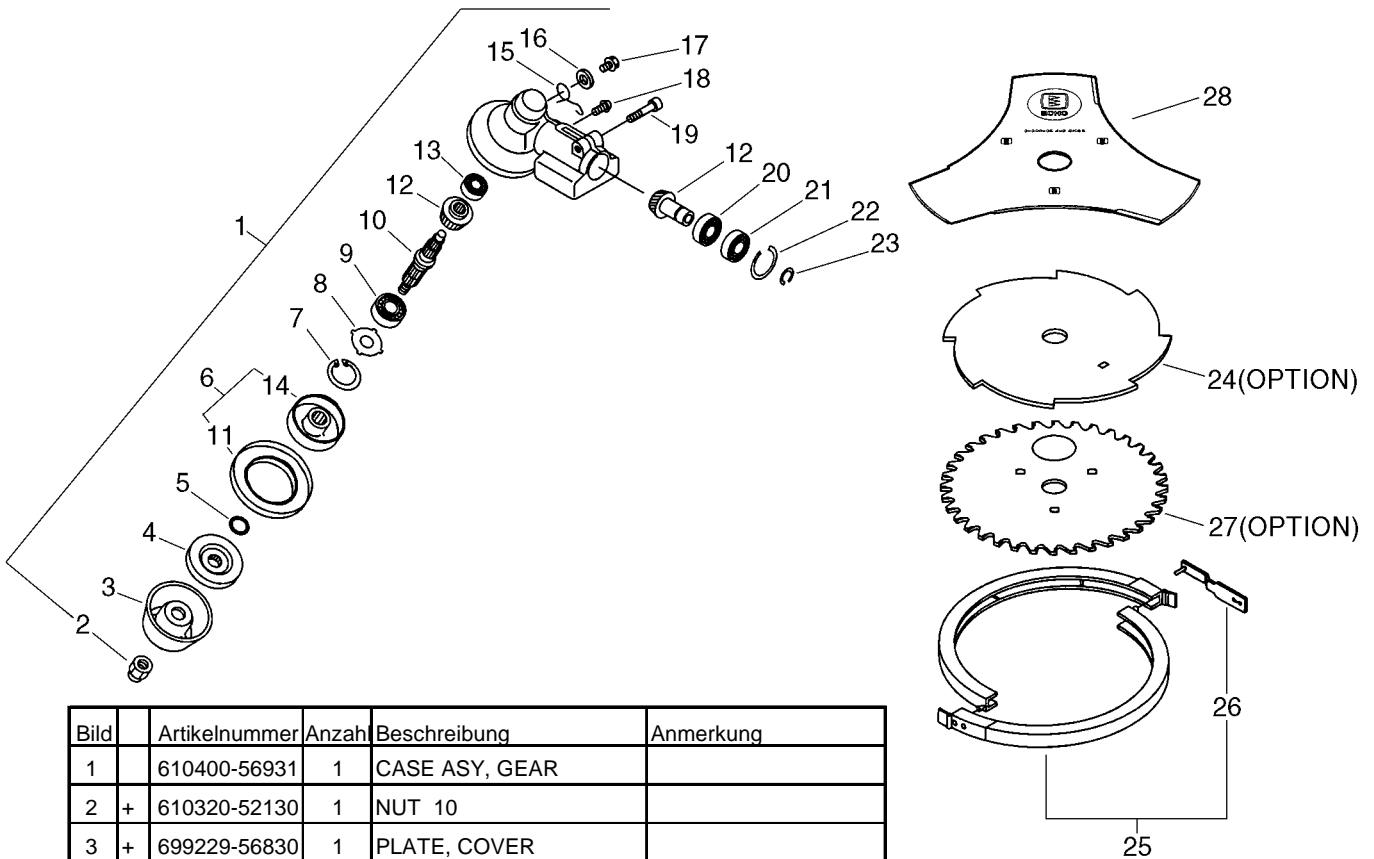


Bild	Artikelnummer	Anzahl	Beschreibung	Anmerkung
1	610400-56931	1	CASE ASY, GEAR	
2 +	610320-52130	1	NUT 10	
3 +	699229-56830	1	PLATE, COVER	
4 +	610314-52130	1	PLATE, ADAPTER (L)	
5 +	900720-00012	1	O-RING 12	
6 +	610313-52931	1	FIXTURE, BLADE	Sus. by C535-000000
6 +	C535-000000	1	FIXTURE, BLADE	
11 ++	610352-56830	1	PLATE, CUP	
14 ++	610313-52131	1	FIXTURE, BLADE	Sus. by C535-000010
14 ++	C535-000010	1	FIXTURE, BLADE	
7 +	900702-00032	1	CIRCLIP 32	
8 +	610444-56830	1	WASHER	
9 +	900812-06201	1	BEARING, BALL 6201	
10 +	610310-56930	1	SHAFT, P.T.O.	
12 +	610300-56930	1	GEAR SET	
13 +	900810-00629	1	BEARING, BALL 629	
15 +	610473-52131	1	SPRING	
16 +	900603-50008	1	WASHER	
17 +	610434-50030	1	BOLT 8*6	Sus. by 610434-50031
17 +	610434-50031	1	BOLT 8*8	
18 +	900242-05010	1	SCREW 5*10	
19 +	900162-06030	1	BOLT, H.S. 6*30	
20 +	900800-06001	1	BEARING, BALL 6001	
21 +	900803-06001	1	BEARING, BALL 6001	
22 +	900702-00028	1	CIRCLIP 28	
23 +	900701-00012	1	CIRCLIP 12	
25	898503-50030	1	SCABBARD KIT, BLADE	
26 +	898562-43230	1	FIXTURE, SCABBARD	
28	X405-000000	1	SAW, BUSH CUTTER	
24	696001-55630	1	BLADE, 8-CUTTER 10IN	OPTION
27	695001-55630	1	SAW, CIRCULAR 10*80T	OPTION

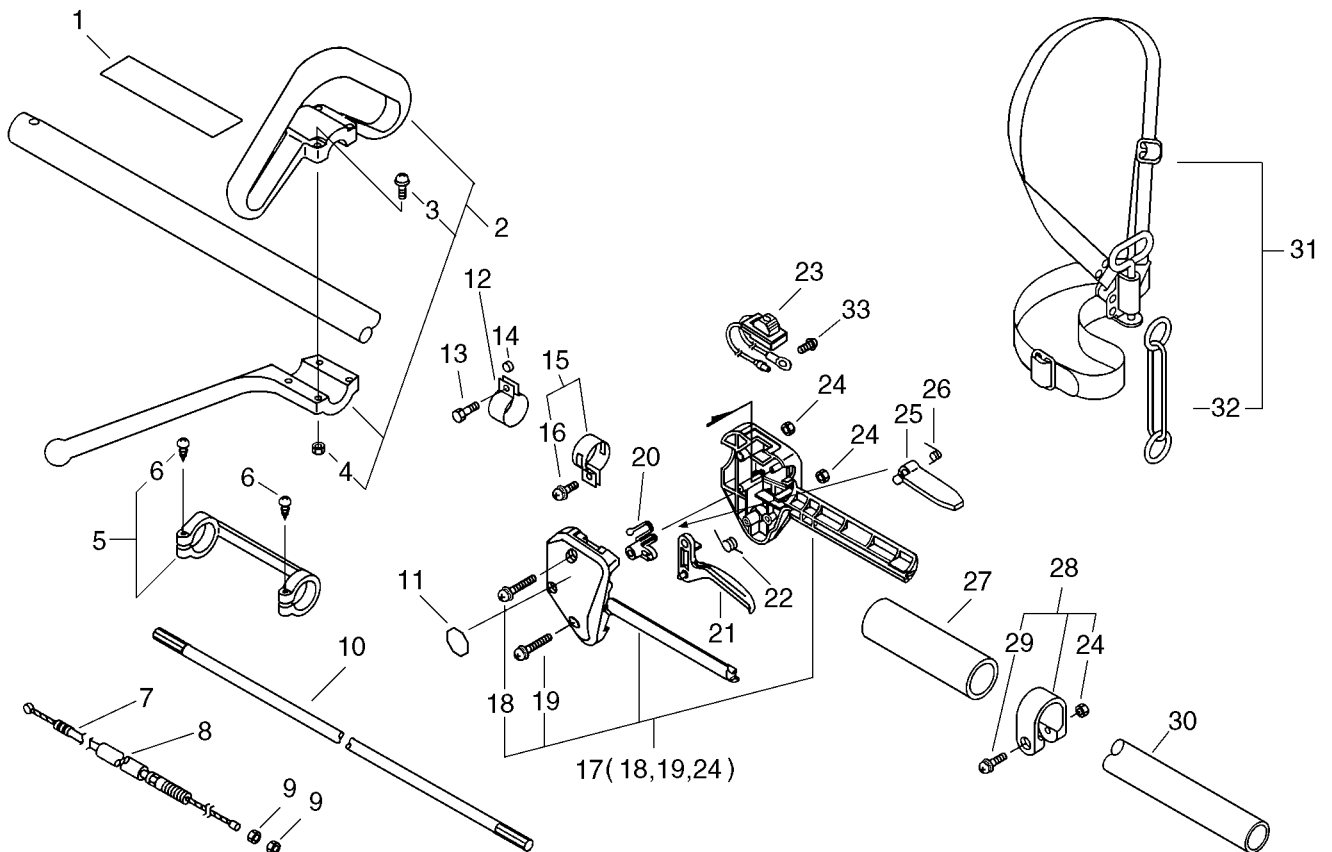


Bild	Artikelnummer	Anzahl	Beschreibung	Anmerkung
1	890617-63630	1	LABEL, CAUTION	Sus. by X505-000140
1	X505-000140	1	LABEL, CAUTION	
2	351201-55630	1	HANDLE ASY, LOOP	
3 +	900242-05035	4	SCREW 5*35	
4 +	900500-00005	4	NUT 5	
5	610281-42230	1	COLLER	
6 +	900253-04025	2	SCREW 4*25	
7	178001-66630	1	CABLE, THROTTLE	
8	162110-56530	1	TUBE	
9	900502-00006	2	NUT 6 (3N)	
10	610011-06230	1	SHAFT, DRIVE	
11	890157-39130	1	LABEL, SWITCH	
12	301207-07530	1	HOOK	
13	900100-05018	1	BOLT 5*18	
14	699012-03330	1	SPACER	
15	301200-42230	1	HOOK ASY	
16 +	900242-05014	1	SCREW 5*14	
17	178003-51830	1	BRACKET SET, THROTTLE	
18 +	900242-05035	1	SCREW 5*35	
19 +	900242-05025	1	SCREW 5*25	
24 +	900500-00005	2	NUT 5	
20	178012-52630	1	LOCKOUT, THROTTLE	
21	178010-52130	1	CONTROL, THROTTLE	
22	178043-42230	1	SPRING, THR. RETURN	
23	163400-66630	1	SWITCH, ON OFF	
25	178090-52630	1	LOCKOUT, T. CONTROL	
26	178013-52630	1	SPRING, THR. LOCK	
27	351213-51830	1	GRIP, FRONT HANDLE	
28	610272-51830	1	BAND	
24 +	900500-00005	1	NUT 5	
29 +	900242-05028	1	SCREW 5*28	
30	610206-56930	1	HOUSING ASY, D.SHFT	
31	301000-55230	1	HARNESS ASY	
32 +	301305-24330	1	LINK	
33	900242-05010	1	SCREW 5*10	

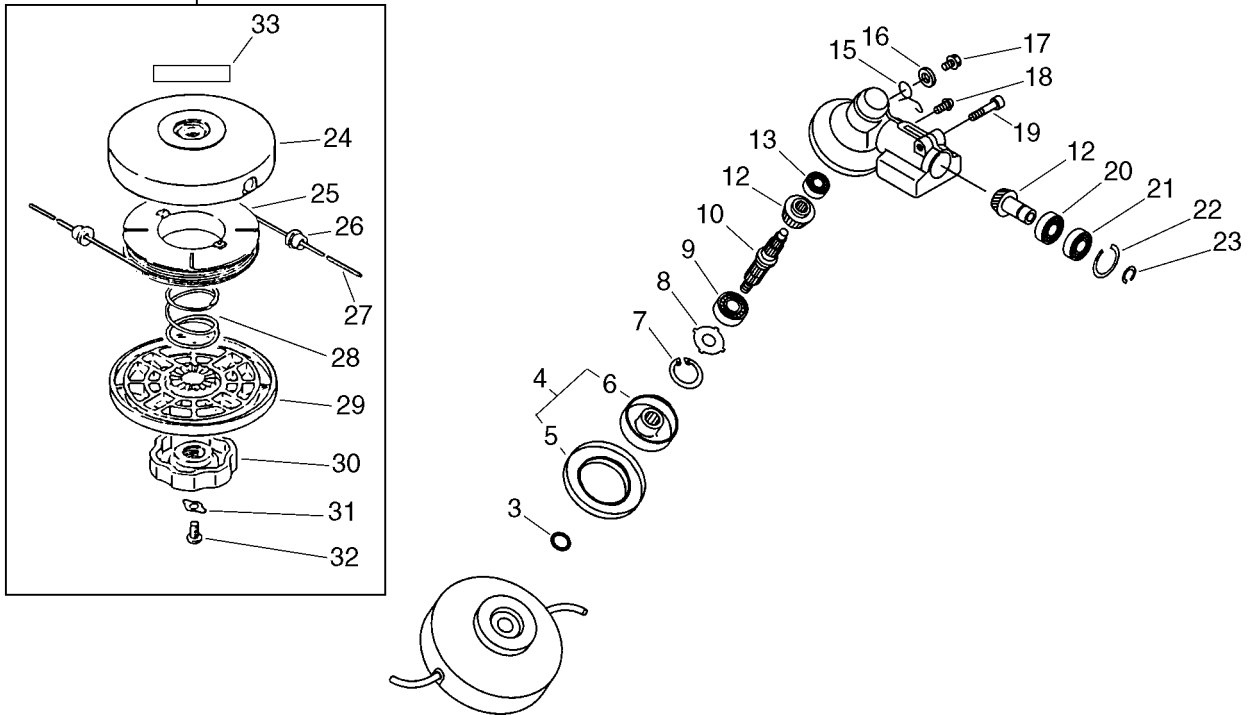
SRAH-205


Bild	Artikelnummer	Anzahl	Beschreibung	Anmerkung
3	900720-00012	1	O-RING 12	
4	610313-52931	1	FIXTURE, BLADE	Sus. by C535-000000
4	C535-000000	1	FIXTURE, BLADE	
5 +	610352-56830	1	PLATE, CUP	
6 +	610313-52131	1	FIXTURE, BLADE	Sus. by C535-000010
6 +	C535-000010	1	FIXTURE, BLADE	
7	900702-00032	1	CIRCLIP 32	
8	610444-56830	1	WASHER	
9	900812-06201	1	BEARING, BALL 6201	
10	610310-56930	1	SHAFT, P.T.O.	
12	610300-56930	1	GEAR SET	
13	900810-00629	1	BEARING, BALL 629	
15	610473-52131	1	SPRING	
16	900603-50008	1	WASHER	
17	610434-50030	1	BOLT 8*6	
18	900242-05010	1	SCREW 5*10	
19	900162-06030	1	BOLT, H.S. 6*30	
20	900800-06001	1	BEARING, BALL 6001	
21	900803-06001	1	BEARING, BALL 6001	
22	900702-00028	1	CIRCLIP 28	
23	900701-00012	1	CIRCLIP 12	
24	696210-56930	1	DRUM, REEL	
25	696214-06830	1	REEL, CORD	
26	696212-06032	2	EYELET	
27	696215-22830	2	CORD, NYLON(2.4*2.5)	
28	696216-06030	1	SPRING	
29	696206-28232	1	COVER, DRUM (BL)	
30	696219-28231	1	NUT (BL)	
31	696220-06030	1	STOPPER, NUT	
32	900220-06010	1	SCREW 6*10	
33	890617-46730	1	LABEL, CAUTION	

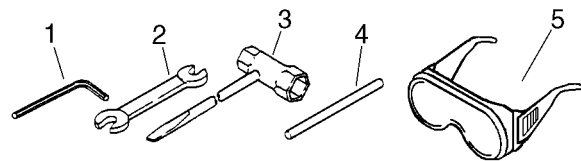
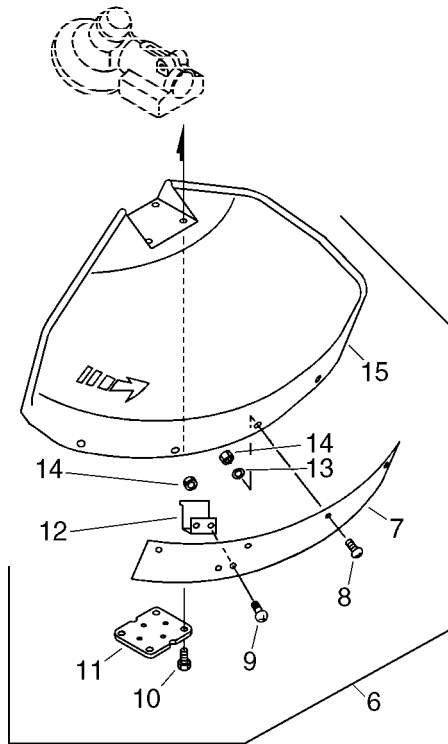


Bild	Artikelnummer	Anzahl	Beschreibung	Anmerkung
1	895610-00130	1	L-WRENCH (4MM)	
2	895112-00330	1	SPANNER 8*10	
3	895415-66630	1	WRENCH,SPCKET	
4	897518-01131	1	LOCKING TOOL	
5	899580-40930	1	GOGGLE	Sus. by 899580-68730
5	899580-68730	1	SAFETY GLASSES	
6	699000-52931	1	SHIELD ASY	
7	+ 699013-52130	1	PLATE, SHIELD	
8	+ 900162-05018	4	BOLT, H.S. 5*18	
9	+ 900162-05014	2	BOLT, H.S. 5*14	
10	+ 900162-05025	4	BOLT, H.S. 5*25	
11	+ 699013-56830	1	PLATE, SHIELD	
12	+ 699016-54530	1	KNIFE	
13	+ 900603-00005	4	WASHER 5	
14	+ 900500-00005	6	NUT 5	
15	+ 699010-52931	1	SHIELD, BLADE	

ECHO®

Motorgeräte

die geh'n ran