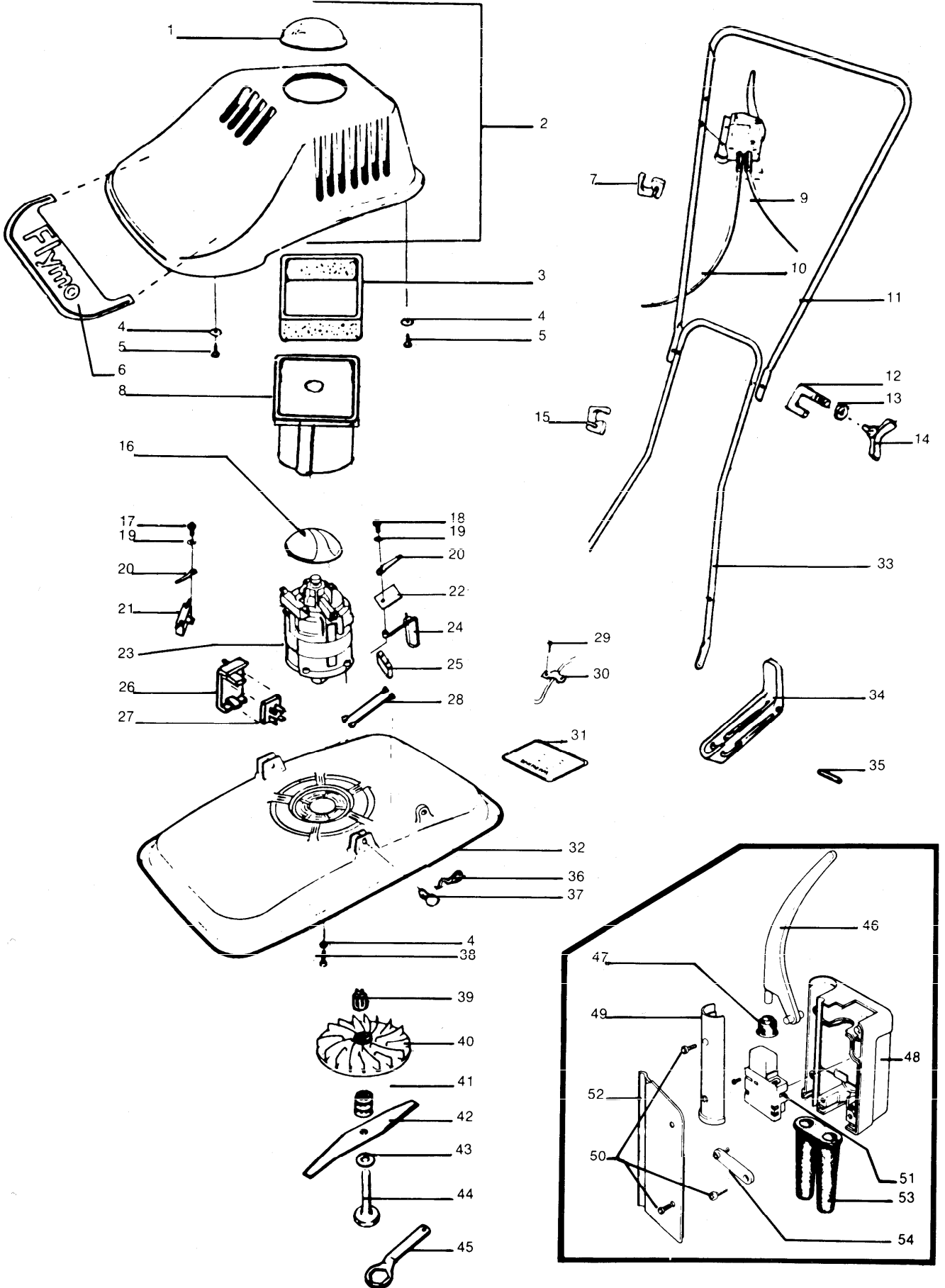


Flymo

DLE-3 9635127
DLE-3 'S' 9635129





DLE-3 9635127
DLE-3 'S' 9635129

KEY No.	PART No.	DESCRIPTION	QUANTITY	COMMENTS/ APPLICATION	KEY No.	PART No.	DESCRIPTION	QUANTITY	COMMENTS/ APPLICATION
1	5126120-02/0	LENS	1		31	5146467-00/5	LABEL WARNING	1	GB.
2	5106079-00/6	COWLING	1			5136507-00/0	LABEL WARNING	1	A.D.CH.
3	5146580-00/5	FILTER	1			5136364-00/6	LABEL WARNING	1	N.
4	5140266-00/7	WASHER	4	NO LONGER FITTED		5146466-00/7	LABEL WARNING	1	N.DK.
5	5146045-02/5	SCREW	4			5136361-00/2	LABEL WARNING	1	SF.
6	5126598-00/1	LABEL FLYMO	1			5146464-00/2	LABEL WARNING	1	F.B.N.
7	5140482-00/0	CABLE CLIP SMALL	1			5146486-00/5	LABEL WARNING	1	I.
8	5116423-01/2	SUPPORT FILTER	1			5146516-00/9	LABEL WARNING	1	E.P.E.I.O/S.
9	5147001-07/6	LEAD TERMINAL 15.24M	1	DLE 'S' ONLY G.B.		5146504-00/5	LABEL WARNING	1	S.
	5147001-03/5	LEAD TERMINAL 15.5M	1	GB.	32	5106082-00/0	HOOD	1	
	5147000-01/1	LEAD TERMINAL 0.5M	1			5147674-00/5	HOOD C/W UP STOP	1	
	5146475-08/1	LEAD TERMINAL	1	SF.	33	5126307-00/7	HANDLE LOWER	1	
	5146361-03/4	LEAD TERMINAL C/W PLUG	1	D.	34	5116388-01/7	LEVER UP STOP	1	ALT USE 5116388-04/1
	5147213-00/2	LEAD TERMINAL C/W ELCB	1	S.	35	5147029-01/0	ROLL PIN	1	
10	5147001-01/9	LEAD INTERNAL	1	ALT USE 5147001-24/1	36	5140423-00/4	PIN RETAINING	2	
	5146989-03/2	LEAD INTERNAL	1	SF.	37	5140092-01/5	PIN LOCKING	2	ALT USE 5140092-00/7
	5147001-02/7	LEAD INTERNAL	1	D.	38	5141585-01/7	SCREW	3	
11	5126242-03/0	HANDLE UPPER	1		39	5136297-00/8	INSERT	1	
	5136573-02/8	HANDLE CORD GUIDE ASSY	1	D.	40	5116375-01/4	IMPELLER	1	
12	5147542-00/4	J BOLT	2		41	5136240-01/6	BLADE SPACER	3	
13	5140266-00/7	WASHER	2		42	5126439-00/8	BLADE 30 CM	1	
14	5140690-00/8	KNOB WING	2		43	5140516-00/5	ANTI FRICTION WASHER (PTFE)	1	
15	5140482-00/0	CABLE CLIP LARGE	1		44	5136242-01/2	BLADE BOLT	1	
16	5146469-00/1	WARNING DISC	1	ALT USE 5146469-01/9	45	5130127-00/3	SPANNER	1	
17	7241291-61/1	SCREW TAPTITE	1		46	5136182-01/0	LEVER SWITCH	1	
18	7241293-61/7	SCREW THREAD FORMING	1		47	5130406-01/9	SEAL CONE	1	
19	7352136-51/4	LOCKWASHER	2		48	5116346-05/6	SWITCHBOX BODY 16mm*	1	ALT USE 5116346-06/4
20	115721-00/5	CLIP	2			5116494-01/3	SWITCHBOX BODY 16mm	1	
21	113030-01/9	SUPPRESSOR	1		49	5126167-00/5	SWITCHBOX RETAINER 16mm*	1	
	322876-00/4	NYLON TIE	1	NOT ILLUSTRATED		5126290-00/5	SWITCHBOX RETAINER 16mm	1	
22	4000830-00/2	INSULATING TAB	1	NO LONGER FITTED	50	5146672-00/0	SCREW GKN POLYIMATE No 6	6	
23	5126433-01/9	MOTOR 240 VOLT	1			5147212-01/2	SCREW TAMPER PROOF	2	S.
	5126354-01/7	MOTOR 240 VOLT	1	DLE 'S' ONLY	51	5141586-15/5	SWITCH ON/OFF THERMAL CUT OUT	1	KOPP 2401-13
	5126433-02/7	MOTOR 220 VOLT	1			5146743-00/9	SWITCH ON/OFF THERMAL CUT OUT	1	
	5126354-02/5	MOTOR 220 VOLT	1	DLE 'S' ONLY	52	5116210-00/5	SWITCHBOX COVER*	1	
24	7629125-07/6	TAB STRIP	1			5116495-00/2	SWITCHBOX COVER	1	
25	113030-01/9	SUPPRESSOR O.15 MF	1		53	5141584-02/8	SLEEVE	1	
26	5136441-00/2	BRACKET	1	DLE 'S' ONLY	54	5146616-00/7	CLAMP CABLE	1	
27	322814-00/5	RECTIFIER	1	DLE 'S' ONLY					
28	5147591-00/1	RECTIFIER LEAD	2	DLE 'S' ONLY					
29	5147025-00/0	SCREW	2						
30	5140705-00/4	CABLE CLAMP	1						

* Parts fitted to early manufactured models only.

PRODUCT VARIANT

9635127-01 GB.	9635127-11 I.	9635127-51 GB.	9635129-09 D.
9635127-03 A.	9635127-16 O/S.E.P.I.	9635129-01 GB.	9635129-11 I.
9635127-06 DK.N.	9635127-21 S.	9635129-03 A.	9635129-16 O/S.
9635127-07 SF.	9635127-22 CH.	9635129-06 DK.N.	9635129-22 CH.
9635127-08 NL.F.B.	9635127-25 GB.	9635129-07 SF.	9635129-25 GB.
9635127-09 D.	9635127-26 GB.	9635129-08 NL.F.B.	9635129-51 GB.

When no application details are shown the part applies to all countries.