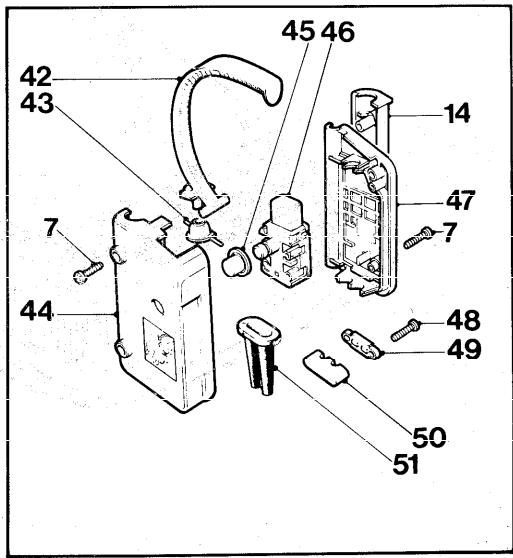


TWIN CUTTING SYSTEM  
 40  
 41  
 GB ONLY



Flymo

E MINIMO-2 9635061  
9635062

9635063

KEY No.	PART No.	QUANTITY	DESCRIPTION	COMMENTS/ APPLICATION	KEY No.	PART No.	QUANTITY	DESCRIPTION	COMMENTS/ APPLICATION
1	5126120-02/0	1	LENS		41	5148257-02/4	2	CUTTER PLASTIC LONG LIFE	
2	5106037-03/8	1	HOOD 25CM		42	5116963-00/9	1	SWITCH ACTUATING LEVER	
3	5148188-01/3	1	LABEL MINIMO TWIN	GB	43	5130406-01/9	1	SEAL CONE	
	5126275-00/6	1	LABEL 'E'		44	5106263-01/4	1	SWITCH BOX BODY	
4	5136725-00/8	1	LABEL FLYMO	GB	45	5148253-00/7	1	COVER LOCK-OFF	
	5116443-00/2	1	LABEL FLYMO		46	5137538-03/8	1	SWITCH ON/OFF LOCK/OFF	
5	5146941-00/9	2	SCREW HI-LO 04.32 x 16LG PAN		47	5106264-01/2	1	SWITCH BOX COVER	
6	5140705-00/4	1	CABLE CLAMP		48	5146672-00/0	2	SCREW GKN POLYMATE	
7	5146672-00/0	4	SCREW GKN POLYMATE		49	5146616-00/7	1	CLAMP CABLE	
8	5116330-02/7	1	FILTER SHROUD		50	5137509-00/5	1	CABLE CLAMP BASE	
9	5146941-00/9	1	SCREW HI-LO 04.32 x 16LG PAN		51	5141584-01/0	1	SLEEVE PROTECTION	
10	5147001-43/1	1	LEAD TERMINAL 15.5M x .75MM	GB.E.P.EI.					
	5147000-01/1	1	LEAD TERMINAL .5M	F.B.NL.DK.I.SF.A.N.S.					
11	5146738-00/9	1	FILTER						
12	5146467-00/5	1	LABEL WARNING ELECTRIC	GB					
	5136708-01/2	1	LABEL WARNING ELECTRIC	F.B.NL.CH.					
	5136729-01/8	1	LABEL WARNING ELECTRIC	O/S.EP.IE.					
13	5140482-00/0	2	CABLE CLIP SMALL						
14	5116959-01/5	1	SWITCHBOX RETAINER						
15	5126235-01/8	1	HANDLE UPPER PLASTIC COATED						
16	5146684-00/5	1	WING NUT						
17	5140266-00/7	1	WASHER						
18	5146742-00/1	1	CAP						
19	5146685-00/2	1	BOLT HANDLE 1/4 UNC x 35LG	ALT USE 5146685-01/0					
20	5147001-46/4	1	LEAD INTERNAL	GB.O/S.E.P.EI.					
	5147001-34/0	1	LEAD INTERNAL	F.B.NL.A.					
21	5136241-01/4	1	DISC WARNING ASSY						
22	5126534-01/4	1	MOTOR 240 VOLT	GB					
	5126534-02/2	1	MOTOR 220 VOLT						
23	7241293-61/7	1	SCREW THREAD FORMING						
24	7352136-51/4	1	LOCKWASHER						
25	113721-00/5	1	CLIP						
26	113030-01/9	1	SUPPRESSOR 0.15 MF						
27	5126178-00/2	1	HANDLE LOWER PLASTIC COATED						
28	5146872-00/6	1	HINGE PIN						
29	5146877-00/5	1	CLIP RETAINING SPRING						
30	5106045-00/7	1	MOTOR MOUNTING BRACKET						
31	5146736-00/3	4	SCREW HIGH/LOW						
32	5146866-00/8	4	SCREW M5 x 16LG CSK						
33	5136297-00/8	1	INSERT IMPELLER						
34	5116283-00/2	1	IMPELLER						
35	5136240-01/6	3	BLADE SPACER						
36	5126179-00/0	1	BLADE 25CM						
37	5140516-00/5	1	ANTI FRICTION WASHER (PTFE)						
38	5136242-01/2	1	BLADE BOLT						
39	5130127-00/3	1	SPANNER						
40	5137557-00/4	1	DISC ASSY						

## PRODUCT VARIANT

9635061-25 GB  
9635062-18 EIRE

9635062-72 F.B.NL.A.

9635062-77 O/S.E.P.EI.

9635063-25 GB

Where no application details are shown the part applies to all countries