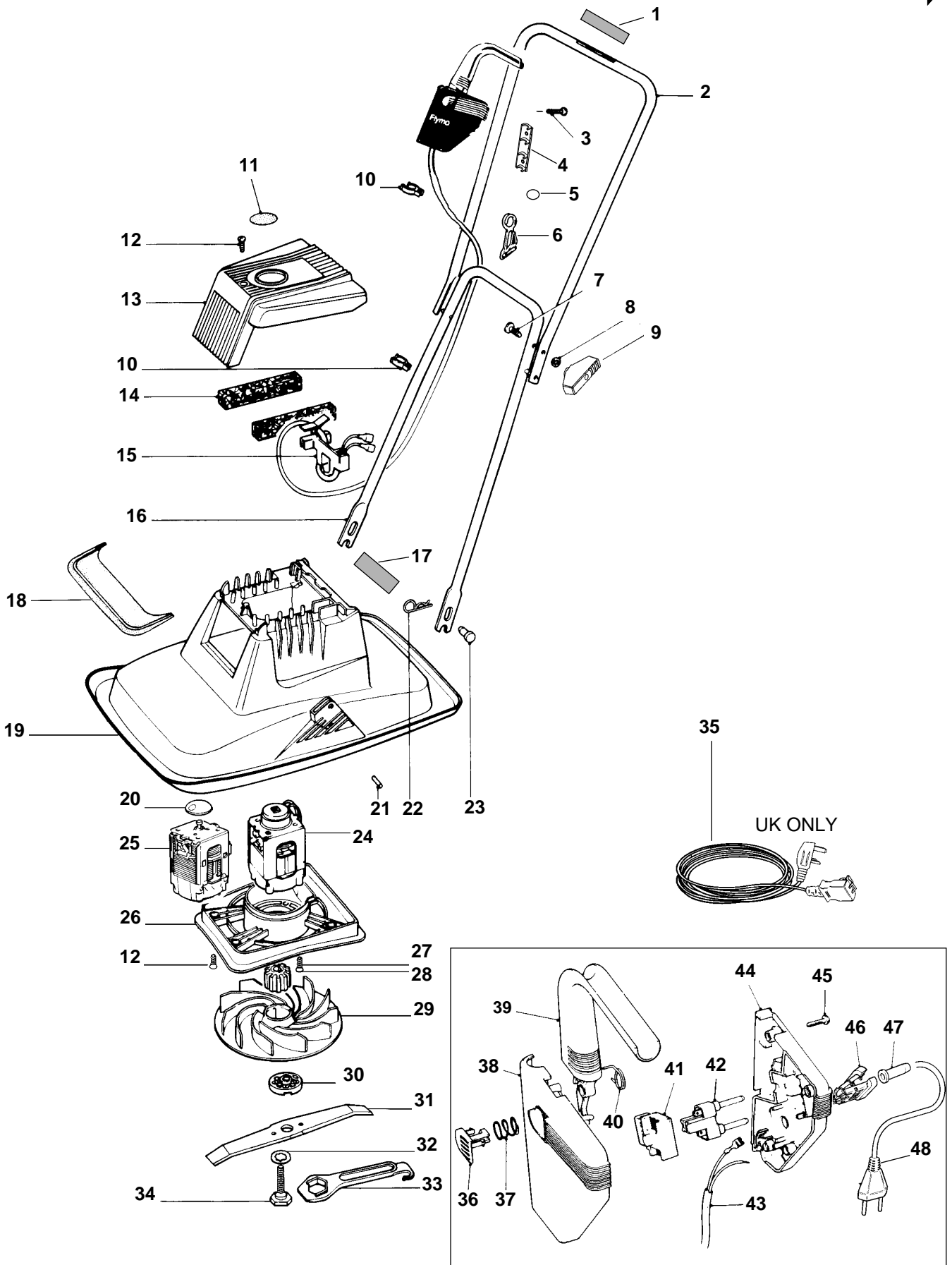


MODEL	E250
PRODUCT NO.	9632552, 9632553, 9632554



Flymo

MODEL	E250
PRODUCT NO.	9632552, 9632553, 9632554



KEY PART NUMBER	DESCRIPTION	QTY
01	5138048-00/3 LABEL,WARNING,U/HANDLE	1 GB.EI.
02	5127242-01/3 HANDLE,UPPER	1
03	5146672-00/0 SCREW	2
04	5117659-01/0 RETAINER,SWITCHBOX	1 GB.EI.O/SEAS.A.B.F.NL.CH.I.E.P.
	5117657-01/4 RETAINER,SWITCHBOX	1 A.B.D.F.NL.I.E.P.N.DK.S.SF.
05	5148886-00/4 SPLIT RING	1 N.DK.S.SF.
06	5126240-01/8 CORD GUIDE	1 N.DK.S.SF.
	5138024-00/4 CORD GUIDE	1 A.B.D.F.NL.I.E.P.
07	5148672-00/8 BOLT,HANDLE	2
08	5140266-00/7 WASHER	2
09	5137679-00/6 WING KNOB	2 A.B.D.F.NL.I.E.P.N.DK.S. SF.O/SEAS.CH.
	5140690-04/0 WING KNOB	2 GB.EI.
10	5137750-00/5 CABLE CLIP	2
11	5137855-01/0 LABEL,AUTOSTOP	1 A.B.D.F.NL.I.E.P.N.DK.S.SF.O/SEAS.CH.
12	5146736-00/3 SCREW	5
13	5137695-09/3 COVER ASSY	1 A.B.D.F.NL.I.E.P.N.DK.S.SF.O/SEAS.CH.
	5137695-12/7 COVER ASSY	1 GB.EI.
14	5148267-00/7 FILTER	2
15	5126741-00/7 CLAMP PLASTIC	1
16	5117690-01/5 HANDLE,LOWER,GREY	1
17	5138319-00/8 LABEL,WARNING	1
18	5126732-01/4 LABEL,FLYMO	1
19	5126829-00/0 HOOD 25CM	1
20	5146469-01/9 WARNING DISC ASSY	1 GB.EI.
21	5147594-00/5 PIN	2
22	5140423-00/4 PIN RETAINING	2
23	5140092-03/1 PIVOT PIN	2
24	5150005-02/2 MOTOR,220V BRAKED	1 A.B.D.F.NL.I.E.P.N.DK.S.SF.O/SEAS.CH. Use with product No: 9632552 ONLY
	5150005-00/6 MOTOR,230V	1 CH.N.DK.S.SF.A.B.D.F.NL.I.E.P.
25	5150004-01/7 MOTOR,240V	1 GB.EI. Use with product No: 9632553 ONLY
26	5106491-00/3 MOTOR MOUNTING PLATE	1
27	5148122-01/2 SCREW	4
28	5126764-00/9 INSERT,IMPELLER	1
29	5116967-10/9 IMPELLER	1
30	5138110-01/9 BLADE SPACER	3
31	5126535-01/1 BLADE 25CM	1
32	5148259-00/4 WASHER ANTI FRICTION	1
33	5126682-00/3 SPANNER/SCRAPER	1
34	5137608-00/5 BLADE BOLT C/W WASHER	1
35	5127250-01/6 MAINS LEAD	1 GB.EI.
36	5127008-00/0 LOCK OFF	1
37	5148658-00/7 SPRING,LOCK OFF	1
38	5106539-01/7 SWITCHBOX UPPER	1
39	5106481-01/2 LEVER	1
40	5148657-00/9 SPRING,TORSION	1
41	5137685-00/3 SWITCH	1 GB.EI.N.DK.S.SF.A.B.D.F.NL.I.E.P.O/SEAS.
	5137786-00/9 SWITCH	1 CH.
42	5137686-00/1 PIN RETAINER	1 GB.EI.O/SEAS
	5148784-00/1 PIN RETAINER	1 A.B.D.F.NL.I.E.P.N.DK.S.SF.
43	5148814-11/3 LEAD	1 GB.EI.O/SEAS.N.DK.S.SF.A.B.F.NL.CH.I.E.P.
	5148814-14/7 LEAD	1 A.B.D.F.NL.I.E.P.
44	5106538-00/1 SWITCHBOX,LOWER	1 GB.EI.O/SEAS.CH.
	5106540-00/7 SWITCHBOX,LOWER	1 A.B.D.F.NL.I.E.P.N.DK.S.SF.
45	5146672-00/0 SCREW	4
46	5117528-00/9 CABLE RETAINER	1 CH.
47	5148741-00/1 PROTECTION SLEEVE	1 CH.
48	5147000-22/7 CONNECTING LEAD	1 CH.

PRODUCT APPLICATION

9632552-16	O/SEAS	9632552-72	A.B.F.NL.	9632554-22	CH.
9632552-22	CH.	9632552-78	D.	9632554-27	N.DK.S.SF.
9632552-24	I.E.P.	9632552-85	A.B.D.F.NL.I.E.P.	9632554-85	A.B.D.F.NL.I.E.P.
9632552-27	N.DK.S.SF	9632553-01	GB.EI.		

WHERE NO APPLICATION DETAILS ARE SHOWN, PART APPLIES TO ALL COUNTRIES

A Austria; AUS Australia; B Belgium; CND Canada; CH Switzerland; D Germany; DK Denmark; E Spain; EI Eire; F France; GB Great Britain; I Italy; N Norway; NL Netherlands; NZ New Zealand; O/S Overseas; P Portugal; S Sweden; SF Finland; USA America; ZA South Africa