

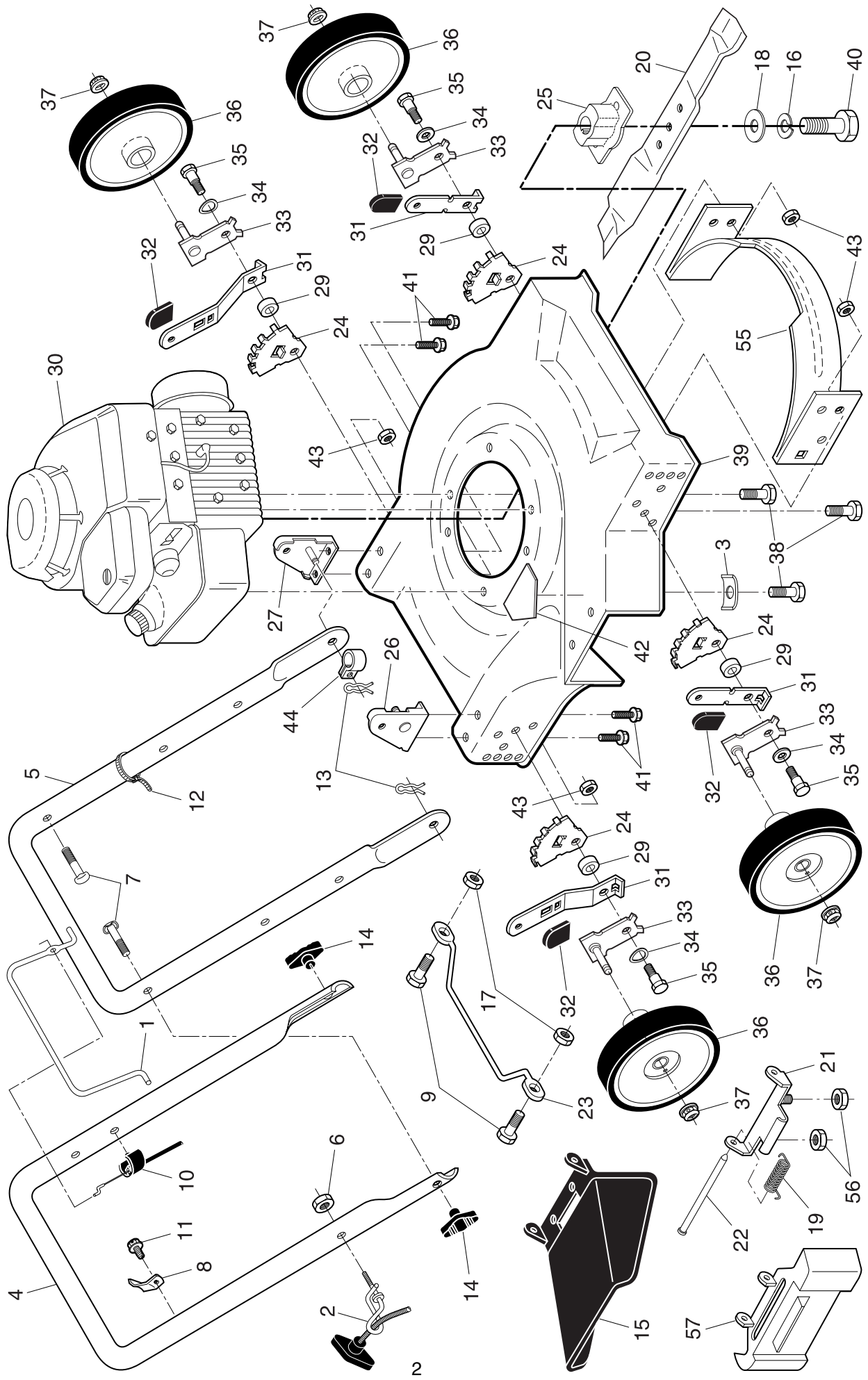
ILLUSTRATED PARTS LIST

MODEL NUMBER FL500

PRODUCT NUMBER 961 11 00-17

MFG. ID. NUMBER 96111001701

ROTARY LAWN MOWER -- MODEL NUMBER FL500 (96111001701) PRODUCT NUMBER 961 11 00-17



ROTARY LAWN MOWER - - MODEL NUMBER FL500 (96111001701) PRODUCT NUMBER 961 11 00-17

KEY NO.	PART NO.	DESCRIPTION	KEY NO.	PART NO.	DESCRIPTION
1	532 19 60-25	Control Bar	26	532 17 09-75	Handle Bracket Assembly, RH
2	532 19 47-88	Rope Guide	27	532 17 09-77	Handle Bracket Assembly, LH
3	532 12 50-78	Engine Washer	29	532 40 16-29	Spacer
4	532 19 60-26	Upper Handle	30	- - -	Engine, Briggs & Stratton, Model Number 9D902 (order parts from engine manufacturer)
5	532 15 50-44	Lower Handle	31	532 40 64-28	Selector Spring
6	532 13 20-04	Nut, Hex	32	532 08 78-77	Selector Knob
7	532 19 15-74	Handle Bolt 5/16-18 x 1-3/4	33	532 40 78-71	Axle Arm Assembly
8	532 12 52-03	Up-Stop Bracket	34	532 40 16-30	Curved Washer
9	532 08 58-25	Screw	35	532 14 27-48	Shoulder Bolt
10	532 16 27-78	Engine Zone Control Cable	36	532 19 80-87	Wheel & Tire Assembly
11	532 75 06-34	Nut, Hex	37	532 40 91-48	Nut, Hex
12	532 06 64-26	Wire Tie	38	532 15 04-06	Hex Head Thread Rolling Screw 3/8-16 x 1-1/8
13	532 05 17-93	Hairpin Cotter	39	532 19 66-46	Lawn Mower Housing
14	532 19 19-38	Handle Knob	40	532 85 10-84	Hex Head Screw 3/8-24 x 1-3/8 Grade 8
15	532 75 20-52	Discharge Guard	41	532 14 97-41	Thread Cutting Screw 5/16-18 x 3/4
16	532 85 02-63	Helical Lockwasher 3/8	42	532 18 21-66	Danger Decal
17	532 06 91-80	Nut, Hex	43	532 75 15-92	Locknut, Hex 3/8-16
18	532 85 10-74	Hardened Washer	44	532 19 79-91	Clip, Cable
19	532 41 18-32	Spring, Torsion	45	532 12 84-15	Pop Rivet
20	532 14 51-06	Blade, 20"	55	532 14 15-19	Front Baffle
21	532 08 86-02	Hinge Bracket	56	873 80 04-00	Nut, Hex
22	532 15 02-15	Rod, Hinge	57	532 41 24-00	Plate, Mulcher
23	532 15 41-47	Footguard	- -	532 14 15-20	Rear Baffle (not shown)
24	532 41 08-07	Wheel Adjusting Bracket	- -	532 40 05-61	Operator's Manual, Scandinavian
25	532 85 09-77	Blade Adapter	- -	532 40 05-63	Operator's Manual, Baltic

NOTE: All component dimensions given in U.S. inches. 1 inch = 25.4 mm. **IMPORTANT:** Use only Original Equipment Manufacturer (O.E.M.) replacement parts. Failure to do so could be hazardous, damage your lawn mower and void your warranty.