

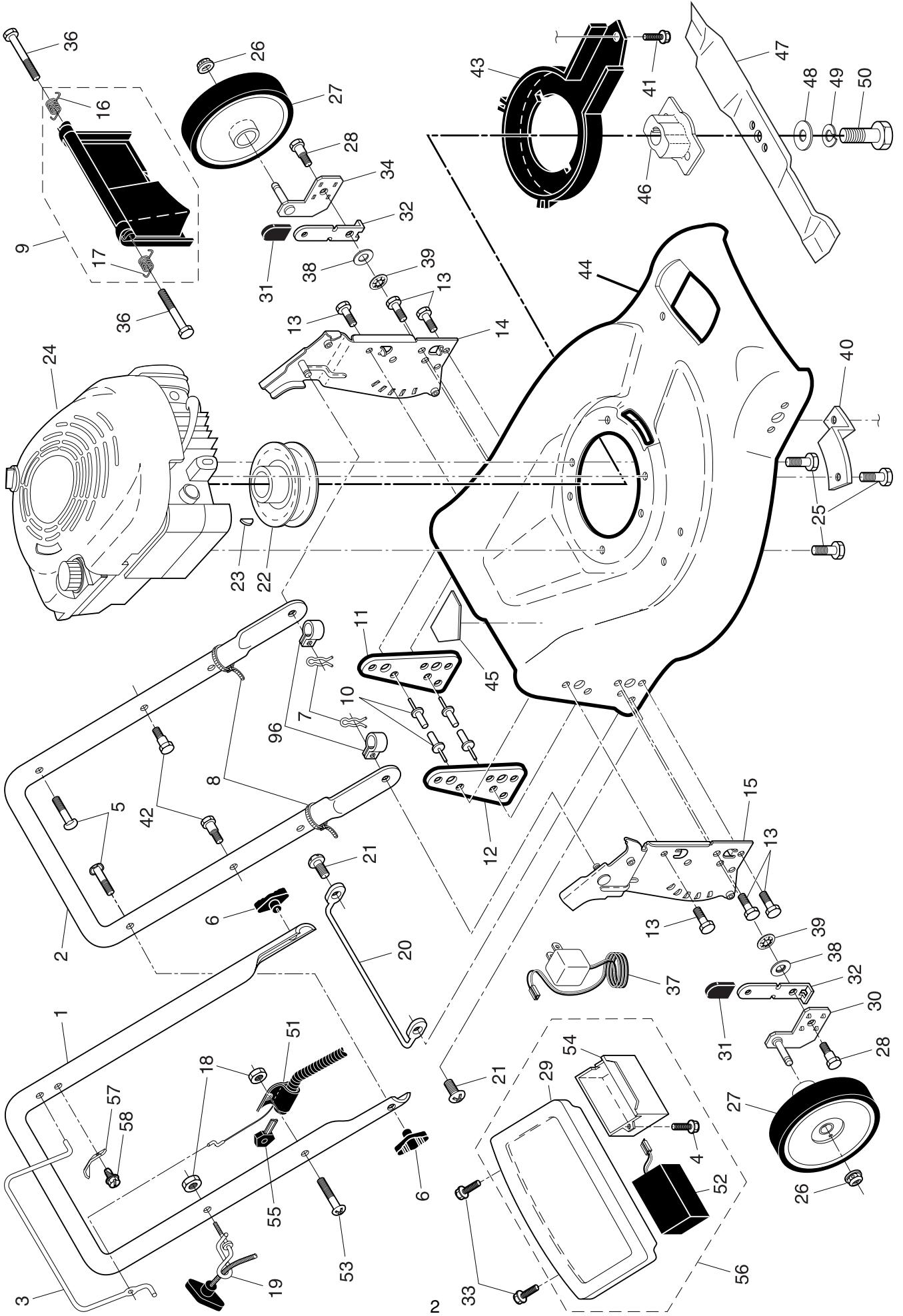
**ILLUSTRATED PARTS LIST**

**MODEL NUMBER FL510DE**

**PRODUCT NUMBER 961 41 00-75**

**MFG. ID. NUMBER 96141007501**

**ROTARY LAWN MOWER - - MODEL NUMBER FL510DE (96141007501) PRODUCT NUMBER 961 41 00-75**

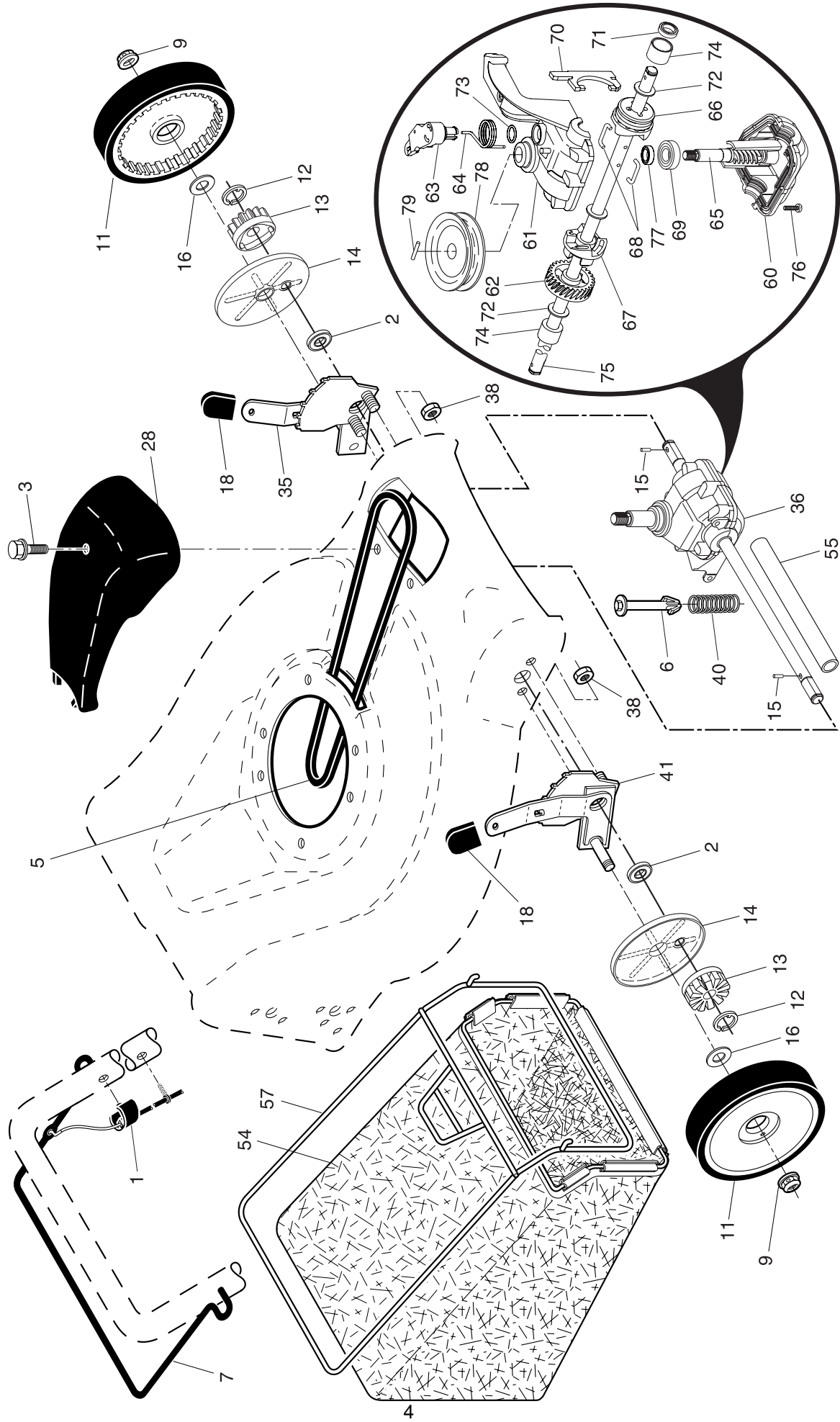


# ROTARY LAWN MOWER - - MODEL NUMBER FL510DE (96141007501) PRODUCT NUMBER 961 41 00-75

KEY NO.	PART NO.	DESCRIPTION	KEY NO.	PART NO.	DESCRIPTION
1	532 19 84-59	Upper Handle	31	532 08 78-77	Selector Knob
2	532 19 63-49	Lower Handle	32	532 19 01-57	Selector Spring
3	532 19 84-64	Control Bar	33	532 14 18-41	Screw
4	817 41 13-08	Screw, Hex Washer Head #13 x 1/2	34	532 19 54-36	Axle Arm Assembly, Rear, LH
5	532 19 15-74	Handle Bolt	36	532 18 41-93	Bolt, Hex Head
6	532 19 19-38	Handle Knob	37	532 19 24-36	Charger, Battery
7	532 05 17-93	Hairpin Cotter	38	532 17 61-85	Washer
8	532 06 64-26	Wire Tie	39	532 17 62-35	Pushnut
9	532 18 04-79	Rear Door Kit (Includes Key Numbers 16 and 17)	40	532 19 09-39	Mounting Bracket, Debris Shield
10	532 12 84-15	Pop Rivet	41	532 19 23-25	Screw
11	532 18 25-38	Support Bracket, LH	42	532 17 55-51	Screw
12	532 18 25-39	Support Bracket, RH	43	532 18 87-84	Debris Shield
13	817 06 04-10	Screw 1/4-20 x 5/8	44	532 40 07-29	Kit, Lawn Mower Housing (Includes Key Numbers 10, 11, 12 and 45)
14	532 19 01-54	Handle Bracket Assembly, LH	45	532 18 21-66	Danger Decal
15	532 19 01-53	Handle Bracket Assembly, RH	46	532 18 46-32	Blade Adapter
16	532 18 00-71	Spring, Rear Door, LH	47	532 19 93-77	Blade, 21"
17	532 18 00-72	Spring, Rear Door, RH	48	532 85 10-74	Hardened Washer
18	532 13 20-04	Keps Locknut 1/4-20	49	532 85 02-63	Helical Washer 3/8-24 x 1-3/8 Grade 8
19	532 19 47-88	Rope Guide	50	532 85 10-84	Hex Head Machine Screw 3/8-24 x 1-3/8 Grade 8
20	532 17 92-05	Foot Guard, C.E.	51	532 18 96-86	Switch, Key (Includes two Keys)
21	532 05 45-83	Screw, Tapping 1/4-20 x 1/2	52	532 18 95-89	Battery
22	532 18 49-41	Engine Pulley	53	532 18 61-59	Screw
23	532 18 77-23	Hi-Pro Key	54	532 18 62-37	Box, Battery
24	---	Engine, Briggs & Stratton, Model Number 12F805 (order parts from engine manufacturer)	55	532 18 03-31	Key
25	532 15 04-06	Hex Head Thread Rolling Screw 3/8-16 x 1-1/8	56	532 19 12-52	Trimplate / Battery / Battery Box Assembly
26	532 08 39-23	Hex Flange Nut	57	532 12 51-62	Bracket, Upstop
27	532 19 80-87	Wheel & Tire Assembly	58	532 75 06-34	Screw, Threaded 10-24 x 1/2
28	532 18 93-12	Shoulder Bolt 5/16-18 x .33	96	532 19 79-91	Clip, Cable
29	532 18 61-53	Trimplate	--	532 18 21-34	Decal, Warning (not shown)
30	532 19 54-35	Axle Arm Assembly, Rear, RH	--	532 40 05-79	Operator's Manual, Baltic
			--	532 40 05-87	Operator's Manual, Scandinavian

**NOTE:** All component dimensions given in U.S. inches. 1 inch = 25.4 mm. **IMPORTANT:** Use only Original Equipment Manufacturer (O.E.M.) replacement parts. Failure to do so could be hazardous, damage your lawn mower and void your warranty.

ROTARY LAWN MOWER -- MODEL NUMBER FL510DE (96141007501) PRODUCT NUMBER 961 41 00-75



# ROTARY LAWN MOWER - - MODEL NUMBER **FL510DE** (96141007501) PRODUCT NUMBER 961 41 00-75

KEY NO.	PART NO.	DESCRIPTION	KEY NO.	PART NO.	DESCRIPTION
1	532 19 46-53	Control Cable Assembly	55	532 17 57-39	Driveshaft Cover
2	532 19 10-39	Bearing, Wheel Adjuster	57	532 19 46-43	Frame, Grassbag
3	532 17 52-62	Pan Head Tapping Screw #10-24 x 2-3/4	60	532 18 34-97	* Case, Lower
5	532 17 54-36	V-Belt	61	532 18 34-98	* Case, Upper
6	532 15 04-95	Spring Retainer	62	532 18 34-99	Gear, 27 Teeth
7	532 19 84-53	Control Bar, Drive	63	532 18 35-00	Lever, Clutch
9	532 08 39-23	Locknut, Hex	64	532 18 35-01	Spring, Return
11	532 19 80-88	Wheel & Tire Assembly	65	532 18 35-02	Shaft, Input
12	812 00 00-58	E-Ring	66	532 18 35-03	Dog, Movable
13	532 75 00-03	Pinion	67	532 18 35-04	Dog, Fixed
14	532 18 94-03	Dust Cover	68	532 18 35-05	Wire, Formed
15	532 19 10-17	Pawl, Drive	69	532 18 35-06	Bearing, Ball
16	532 06 77-25	Washer 1/2 x 1-1/2 x .134	70	532 18 35-07	Fork, Shift
18	532 08 78-77	Selector Knob	71	532 18 35-08	Seal, Output Shaft
28	532 18 14-68	Drive Cover	72	532 18 35-09	Washer
35	532 19 51-10	Kit, Wheel Adjuster, LH (Includes Knob and Bearing)	73	532 18 35-10	Seal, Case
36	<b>532 19 92-05</b>	Gearcase Assembly, Complete	74	532 18 35-11	Bushing
38	873 80 04-00	Locknut, Hex 1/4-20	75	532 19 66-13	Shaft, Output
40	532 13 70-90	Spring	76	532 18 35-13	Screw
41	532 19 51-07	Kit, Wheel Adjuster, RH (Includes Knob and Bearing)	77	532 18 35-14	Seal, Input Shaft
54	532 40 19-05	Grassbag Assembly	78	<b>532 19 98-52</b>	Drive Pulley
			79	<b>532 19 94-19</b>	Retaining Pin

\* Use Dow Corning #709 to reseal Gear Case Halves.

**NOTE:** All component dimensions given in U.S. inches. 1 inch = 25.4 mm. **IMPORTANT:** Use only Original Equipment Manufacturer (O.E.M.) replacement parts. Failure to do so could be hazardous, damage your lawn mower and void your warranty.