



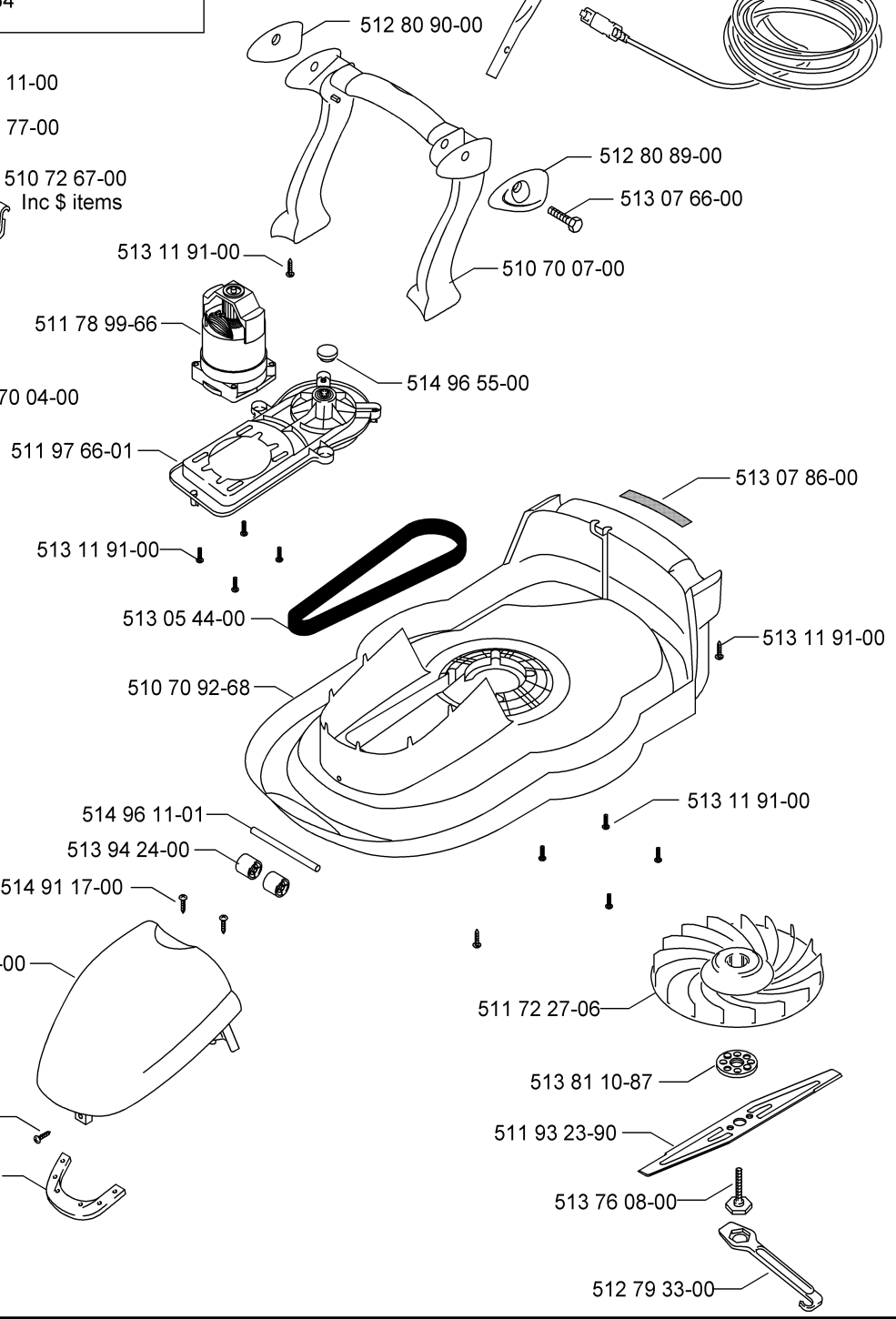
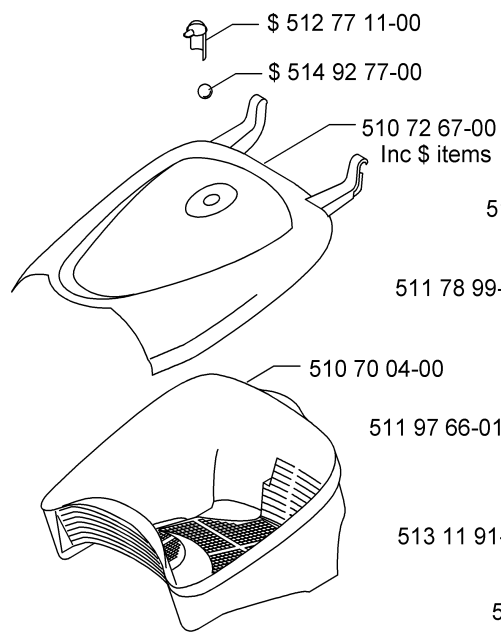
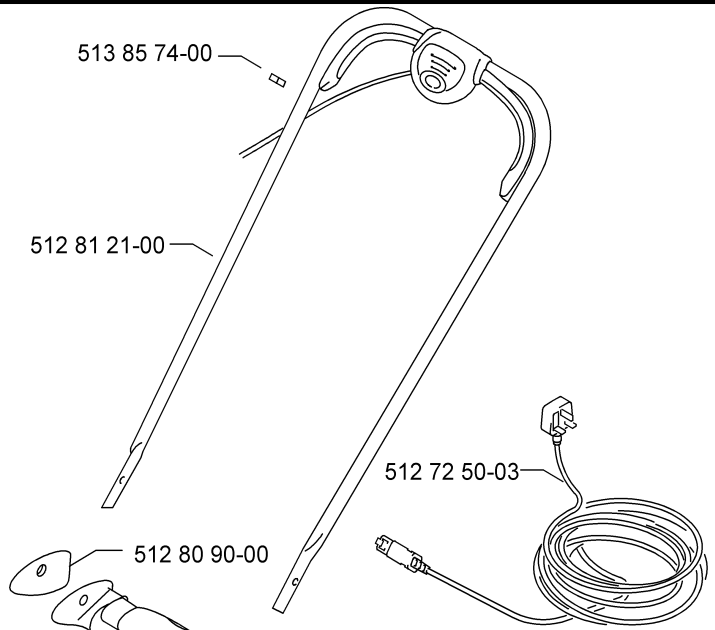
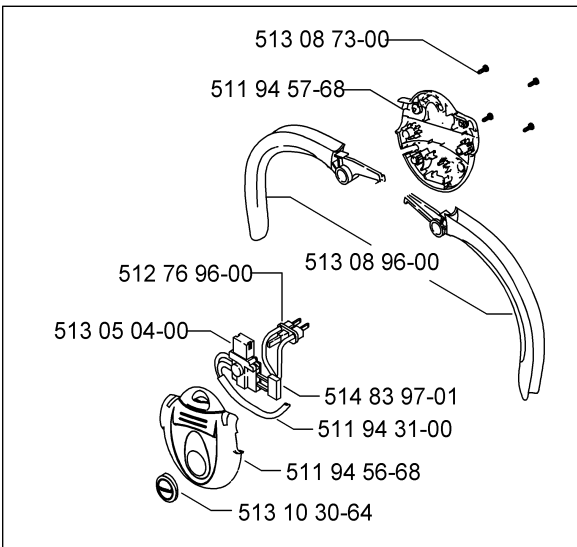
IPL, Hover Compact 330, 9633310-01, 9633310-62, 2006-08

Hover Compact 330



Factory:
Product Group:
Sub Group:
Publication Date:
Publication Number:

FLM - Newton Aycliffe
OM 78
Electric Hover: 7890
11/08/06
AP0608004



IPL, Hover Compact 330, 9633310-01, 9633310-62, 2006-08

Part Number	Description	Qty	Note
510 70 04-00	GRASSBOX	1	
510 70 06-00	MOTOR COVER	1	
510 70 07-00	HANDLE LOWER	1	
510 70 92-68	HOOD HC300/330 GREY	1	
510 72 67-00	LID GRASSBOX PRINTED HC330	1	inc \$ items
511 72 27-06	IMPELLER	1	
511 78 99-66	MOTOR AMETEK	1	
511 93 23-90	BLADE 33CM FLAT	1	
511 94 31-00	LEAD ASSY	1	
511 94 56-68	SWITCHBOX UPPER GREY	1	
511 94 57-68	SWITCHBOX LOWER UK INLET	1	UK
511 94 58-68	SWITCHBOX LOWER EU INLET	1	EU
511 97 66-01	DRIVE ASSY MC/HC	1	
512 72 50-03	MAINS CABLE 20M	1	
512 76 96-00	PIN - RETAINER ASSY UK E330	1	UK
512 77 11-00	LENS:INDICATOR	1	\$
512 79 33-00	ABS SPANNER (PLASTIC)	1	
512 80 89-00	COVER LOWER HANDLE LH	1	
512 80 90-00	COVER LOWER HANDLE RH	1	
512 80 91-00	FILTER MOTOR	1	
512 81 21-00	HANDLE UPPER COATED TC/HC	1	
513 05 04-00	SWITCH 8A 250V	1	
513 05 44-00	BELT - J4	1	
513 07 66-00	BOLT SHOULDER M5 HEX	2	
513 07 86-00	LABEL WARNING	1	
513 08 73-00	SCREW NO6X19 POLYMATE PAN/HD 4	4	
513 08 96-00	SWITCHBOX LEVERS KIT	1	
513 10 30-64	BUTTON LOCK-OFF ORANGE	1	
513 11 17-00	PIN RETAINER EURO	1	EU
513 11 91-00	SCREW-CAP. WASHER 6 SPLINE	11	
513 76 08-00	BLADE BOLT ASSY (BROWN)	1	
513 81 10-87	BLADE SPACER	1	
513 85 74-00	CABLE CLIP	1	
513 94 24-00	ROLLER SEGMENT	2	
514 83 97-01	CAPACITOR PWR.HOE/MULTI TRIM	1	
514 91 17-00	SCREW	3	
514 92 77-00	BALL (YELLOW)	1	\$
514 96 11-01	AXLE TUBE	1	
514 96 55-00	COVER	1	