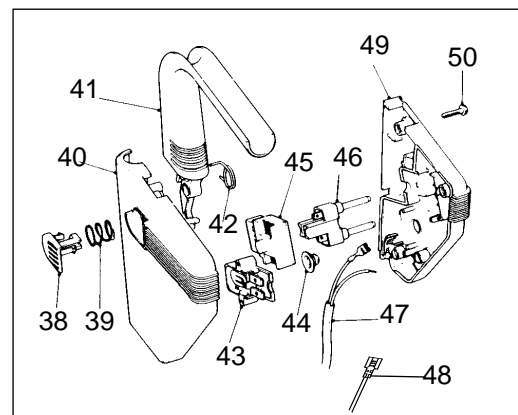
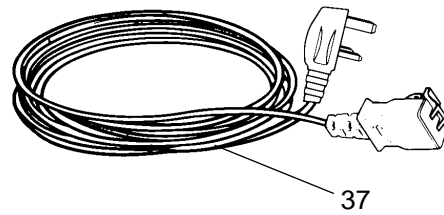
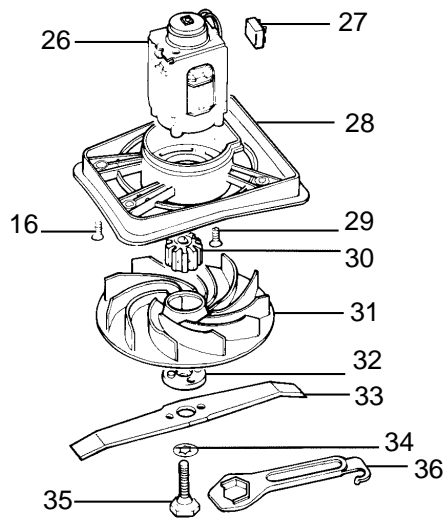
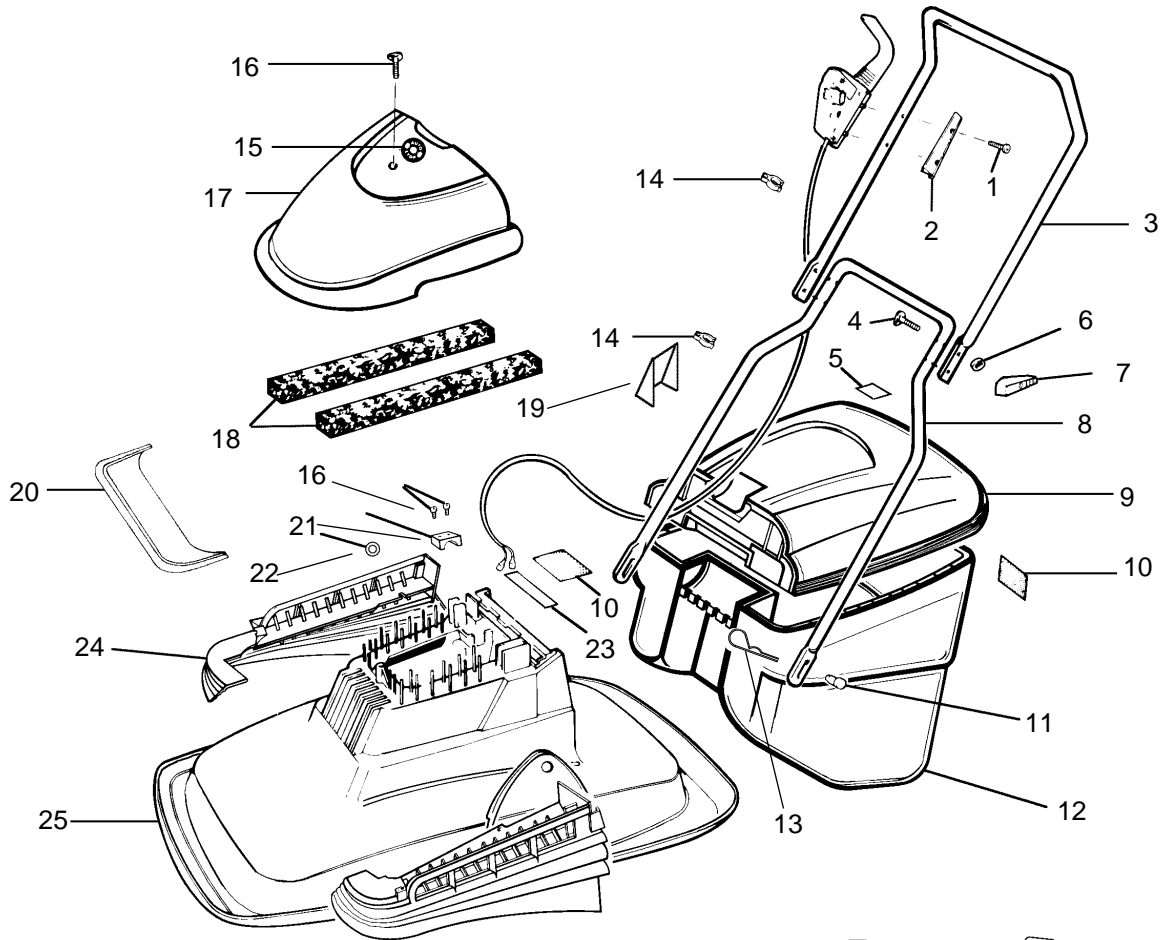


MODEL	Hovervac HV3000
PRODUCT NO.	9633071; 9633072



Flymo

MODEL	Hovervac HV3000
PRODUCT NO.	9633071; 9633072

1

KEY	PART NUMBER	DESCRIPTION	QTY
01	5146672-00/0	SCREW	2
02	5117659-01/0	RETAINER, SWITCHBOX	1
03	5126816-21/3	HANDLE/LABEL ASSY	2
04	5148672-00/8	HANDLE BOLT	2
05	5149125-00/6	LABEL, POWERFILL	1
06	5140266-00/7	WASHER	2
07	5137679-00/6	WING KNOB	2
08	5117650-00/1	HANDLE, LOWER	1
09	5117895-00/2	GRASSBOX LID/SCREEN ASSY	1
10	5146467-00/5	LABEL, WARNING ELECTRIC	2
11	5140092-03/1	PIVOT PIN	2
12	5138286-00/9	GRASSBOX ASSEMBLY	1
13	5140423-00/4	PIN RETAINING	2
14	5137750-00/5	CLIP CABLE	2
15	5137855-01/0	LABEL, AUTOSTOP	1
16	5146736-00/3	SCREW	7
17	5127276-00/3	COVER - MOTOR	1
18	5138152-00/3	FILTER	2
19	5127446-00/2	GRASSBOX COLLECTOR PLATE	1
20	5126885-01/0	LABEL, FLYMO	1
21	5136692-01/8	CABLE CLAMP	1
22	5149147-00/0	FASTENER, 'PUSH-ON'	2
23	5149122-00/3	LABEL, MOW AHEAD	1
24	5149127-00/2	INFIL COLLARS, PAIR	1
25	5127277-00/1	HOOD - 30CM	1
26	5150007-01/0	MOTOR - 240V BRAKED	1
	5150007-00/2	MOTOR - 240V BRAKED	1
27	322814-00/5	RECTIFIER	1
28	5106491-00/3	MOTOR MOUNTING PLATE	1
29	5148122-01/2	SCREW PLASTITE	4
30	5126764-00/9	INSERT, IMPELLER	1
31	5117884-00/6	IMPELLER	1
32	5138110-01/9	BLADE SPACER PEGGED	3
33	5126439-00/8	BLADE 30CM	1
34	5148259-00/4	WASHER ANTI FRICTION PTFE	1
35	5137608-00/5	BLADE BOLT C/W PTFE WASHER	1
36	5126682-00/3	SPANNER/SCRAPER	1
37	5127250-03/2	MAINS LEAD 20MT	1
38	5127008-00/0	LOCK OFF	1
39	5148658-00/7	SPRING, LOCK OFF	1
40	5106539-01/7	SWITCHBOX UPPER	1
41	5106481-01/2	LEVER	1
42	5148657-00/9	SPRING-TORSION	1
43	5127255-01/5	THERMAL CUT-OUT	1
44	5149024-00/1	CUT-OUT COVER	1
45	5137685-00/3	SWITCH	1
46	5137686-00/1	PIN RETAINER	1
47	5148814-13/9	LEAD	1
48	5148773-00/4	LEAD, INTERNAL	1
49	5106538-01/9	SWITCHBOX LOWER	1
50	5146672-00/0	SCREW	4

Use on product No: 9633071 ONLY

PRODUCT APPLICATION

9633071-01 GB.EI.

9633072-01 GB.EI.

WHERE NO APPLICATION DETAILS ARE SHOWN, PART APPLIES TO ALL COUNTRIES

A Austria; AUS Australia; B Belgium; CND Canada; CH Switzerland; D Germany; DK Denmark; E Spain; EI Eire; F France; GB Great Britain; I Italy; N Norway; NL Netherlands; NZ New Zealand; O/S Overseas; P Portugal; S Sweden; SF Finland; USA America; ZA South Africa