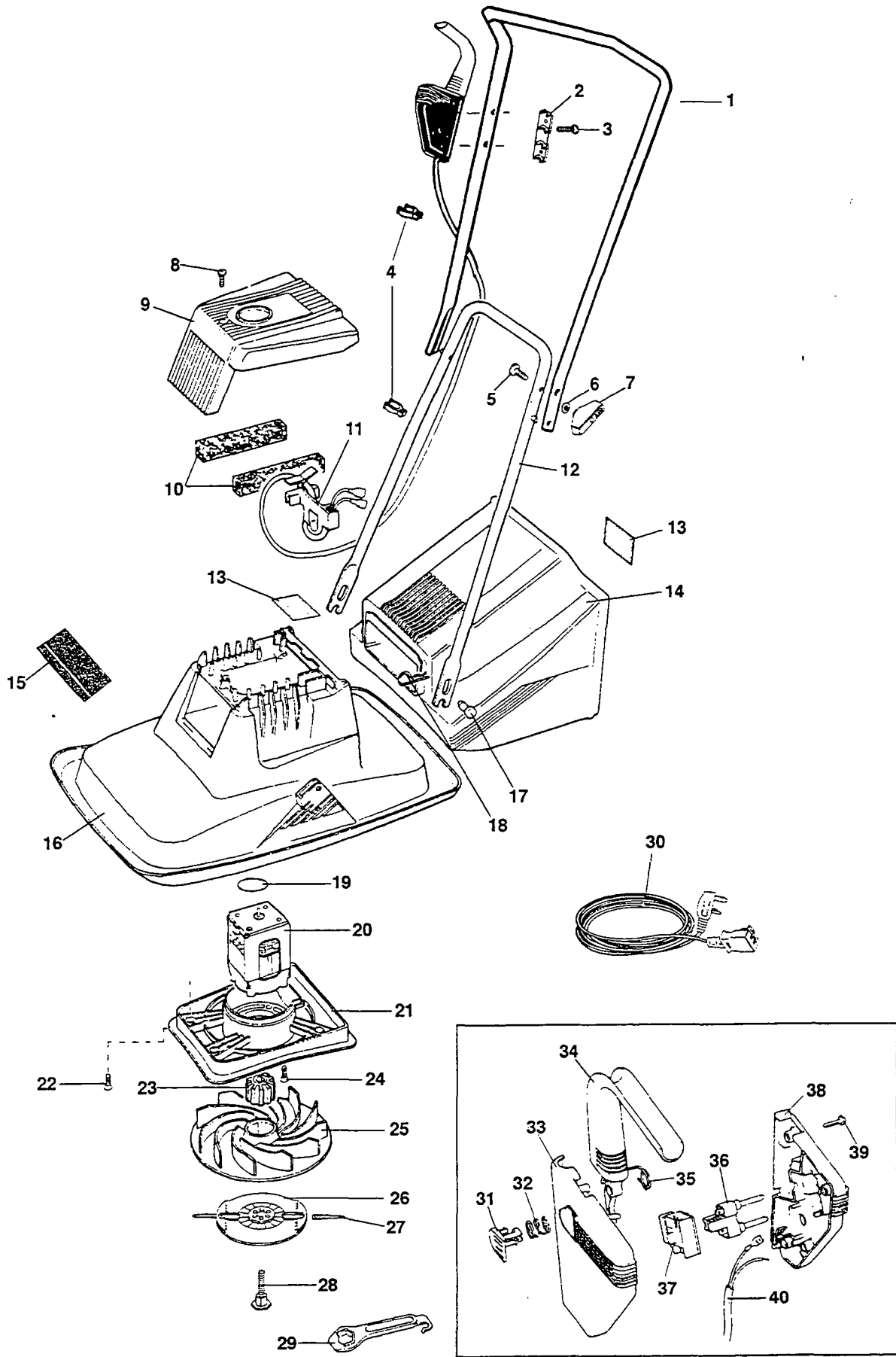


MODEL	Minimo Plus XE	PRODUCT APPLICATION	
		9632565-01	GB
PRODUCT NO.	9632565		



KEY PART NUMBER QTY

01	5126816-21/3	1	HANDLE/LABEL ASSY
02	5117657-01/4	1	RETAINER, SWITCHBOX
03	5146672-00/0	2	SCREW
04	5137750-00/5	2	CLIP, CABLE
05	5148672-00/8	2	BOLT, HANDLE
06	5140266-00/7	2	WASHER
07	5137679-00/6	2	WING KNOB
08	5146736-00/3	1	SCREW
09	5126731-01/6	1	COWL
10	5148267-00/7	2	FILTER
11	5126741-00/7	1	CLAMP
12	5117690-01/5	1	HANDLE, LOWER
13	5138412-00/1	2	WARNING LABEL
14	5117146-04/2	1	GRASSBOX
15	5126732-01/4	1	LABEL, FLYMO
16	5127523-00/8	1	HOOD ASSY
17	5140092-03/1	2	PIVOT PIN
18	5140423-00/4	2	PIN RETAINING
19	5146469-01/9	1	WARNING DISC ASSY
20	5150004-00/9	1	MOTOR
21	5106701-00/5	1	MOTOR MOUNTING PLATE
22	5146736-00/3	4	SCREW
23	5126764-00/9	1	INSERT, IMPELLER
24	5148122-01/2	4	SCREW
25	5116967-03/4	1	IMPELLER
26	5118007-00/3	1	CUTTER DISC
27	5127500-00/6	2	PLASTIC CUTTER
28	5127506-00/3	1	BLADE BOLT
29	5126682-00/3	1	SPANNER/SCRAPER
30	5127250-03/2	1	MAINS LEAD 20MT
31	5127008-00/0	1	LOCK OFF
32	5148658-00/7	1	SPRING, LOCK OFF
33	5106539-01/7	1	SWITCHBOX UPPER
34	5106481-01/2	1	LEVER
35	5148657-00/9	1	SPRING, TORSION
36	5137686-00/1	1	PIN RETAINER
37	5137685-00/3	1	SWITCH
38	5106538-00/1	1	SWITCHBOX LOWER
39	5146672-00/0	4	SCREW
40	5148814-11/3	1	LEAD