

brand **Flymo**

date **08.07.2003** Sheet **1/2**

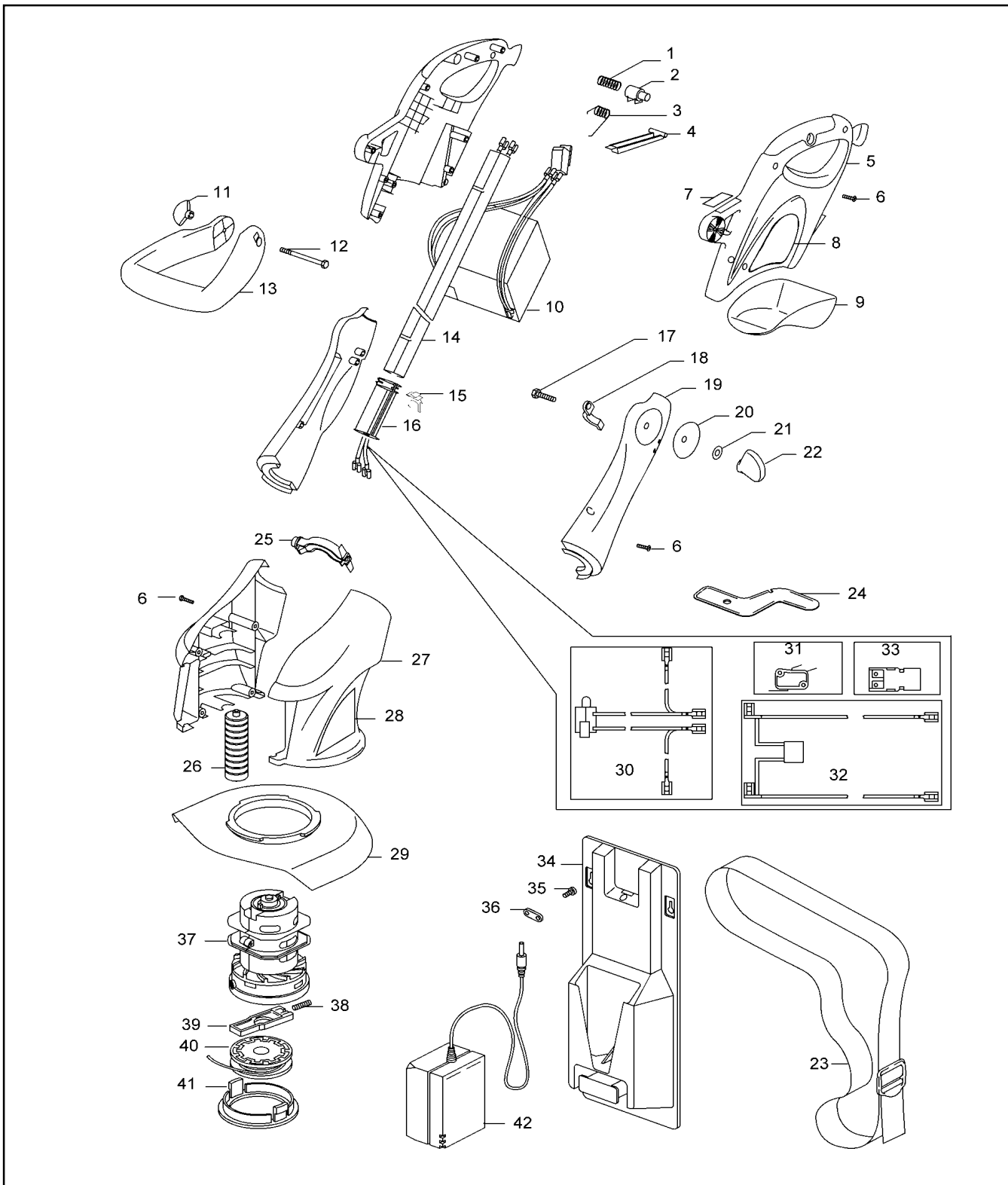
Publication No. **AP0307004**

Model

Multitrim CT250X
Multitrim CT250X

Product Number

9648563-25 (UK)
9648563-62 (Euro)



brand	Flymo
-------	-------

date	08.07.2003	Sheet 2/2
------	------------	-----------

Multitrim CT250X

pos	Part No	Description	Qty	pos	Part No	Description	Qty
1	5149189-00/2	Spring, lock off	1	29	5127619-02/0	Guard	1
2	5138327-00/1	Button, lock off	1	30	5149152-01/8	Charged lead assy	1
3	5130548-00/0	Spring	1	31	5149481-00/3	Switch	1
4	5137609-01/1	Lever, switch	1	32	5149151-01/0	Motor lead assy	1
5	5139604-00/2	Battery housing Pair	1	33	5138124-00/2	Thermal cut out	1
6	5146672-00/0	Screw	12	34	5106543-68/8	Bracket - charger	1
7	Eu 5149248-00/6	Label, warning	1	35	5148522-00/5	Screw	1
	UK 5149085-00/2	Label, warning	1	36	5140705-00/4	Clamp	1
8	RH 5130994-00/6	Label, battery housing RH	1	37	5127441-00/3	Motor/Cutting head assembly	1
	LH 5130994-01/4	Label, battery housing LH	1	38	5149129-00/8	Spring, line feeder	1
9	5127991-68/4	Battery door	1	39	5127198-00/9	Feeder line	1
10	5139401-01/1	Battery kit	1	40	5137651-01/3	Spool and line	1
11	5107091-64/6	Wing knob	1	41	5126976-00/9	Spool cover	1
12	5149973-00/9	Bolt	1	42	Eu 5138304-01/8	Battery charger	1
13	5130541-00/5	Handle	1		UK 5138304-00/0	Battery charger	1
14	5127998-68/9	Handle, tube extension	1				
15	5139596-00/0	Clamp, cable extension	1				
16	5139595-00/2	Grommet, clamp extension	1				
17	7252376-51/7	Bolt	1				
18	5139597-00/8	Clamp, tube extension	1				
19	5139601-01/6	Swivels, pair	1				
20	5139598-00/6	Disc wing knob	1				
21	5140266-00/7	Washer	1				
22	5107091-64/6	Wing knob	1				
23	5139366-00/8	Strap	1				
24	5127612-00/9	Scraper tool	1				
25	5137842-01/8	Swivel locking button	1				
26	5138457-68/3	Roller	1				
27	5130542-00/3	Clamshell kit (includes \$ items)	1				
28	\$ 5119489-00/2	Model label LH	1				
	\$ 5130867-00/4	Warning label RH	1				