

<b>PNC</b>	<b>Type/Prefix/nd</b>	<b>Model</b>	<b>Brand</b>
953900713	01	POWER TRIM 700 CH	Flymo

**Number of Pages 1 of 3**

<b>Factory:</b> IIQ - Valmadrera	<b>Product Group:</b> OP 93	
<b>Publication Number:</b> OIPL2006_VP270000004	<b>Petrol Portable</b>	
<b>Publication Date:</b> 03/07/06	<b>Sub Group</b> 9433	

FIGURE 1

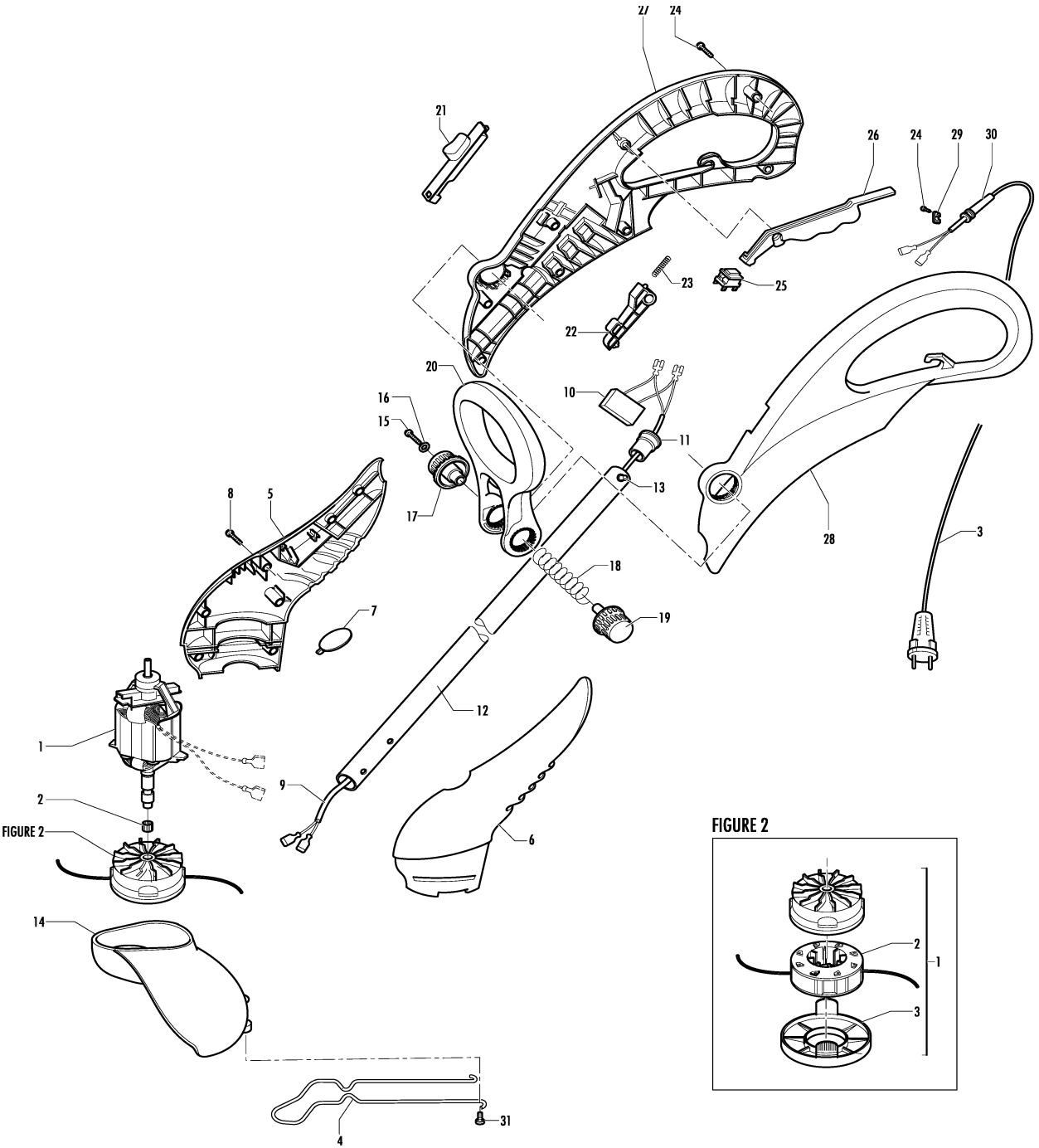
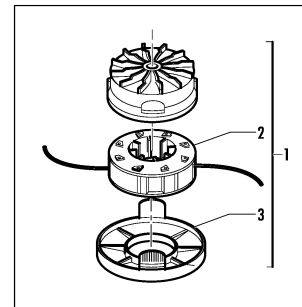


FIGURE 2



**FIGURE 1**

	pos	P/N McC	P/N ELX	Qty	DESCRIPTION	
<b>C</b>	1	242414	538242414	1	Motor	
	2	227123	538227123	1	Ring	
	3	241661	538241661	1	Cable+Plug	
	4	241570	538241570	1	Metal guard	
	5	242381	538242381	1	Right shield	
	6	242380	538242380	1	Left Shield	
<b>C</b>	7	242379	538242379	1	Cap	
	8	240862	538240862	7	Screw	
	9	241571	538241571	1	Wires ass'y	
	10	• 240794	538240794	1	Radio int. Suppressor	
	11	• 241814	538241814	1	Rubber cap	
	12	242372	538242372	1	Shaft	
	13	324295	538324295	1	Snap button	
	<b>C</b>	14	242419	538242419	1	Grass shield
		15	324316	538324316	1	Screw
		16	235248	538235248	1	Washer
	<b>C</b>	17	242375	538242375	1	Push & turn button
<b>C</b>	18	241573	538241573	1	Spring	
<b>C</b>	19	242374	538242374	1	Push & turn button	
<b>C</b>	20	242384	538242384	1	Handle	
<b>C</b>	21	242377	538242377	1	Release button	
<b>C</b>	22	242323	538242323	1	Disengaging lever	
<b>C</b>	23	241574	538241574	1	Spring	
	24	240862	538240862	10	Screw	
<b>C</b>	25	241576	538241576	1	Switch	
<b>C</b>	26	242378	538242378	1	Micro Switch lever	
	27	242383	538242383	1	Right Crankcase	
	28	242382	538242382	1	Left Crankcase	
	29	241052	538241052	1	Clamp	
	30	241051	538241051	1	Fair lead	
	31	229791	538229791	2	Screw	

**FIGURE 2**

<b>C</b>	1	242416	538242416	1	String Head
<b>A</b>	2	• 248750	538248750	1	Spool+Line
<b>B</b>	3	• 248751	538248751	1	String Head Cover

A=ALTA ROTAZIONE  
 B=MEDIA ROTAZIONE  
 C=ALTA ROTAZIONE  
 NUOVI CODICI

A=HIGH MOVING  
 B=MEDIUM MOVING  
 C=SLOW MOVING  
 NEW P. NUMBERS

A=HAUTE DEMANDE  
 B=MOYENNE DEMANDE  
 C=BASSE DEMANDE  
 NOUVELLES REFERENCES

A=GROBE NACHFRAGE  
 B=MITTELMAESSIGE  
 C=WENIGE NACHFRAGE  
 NEU CODEX