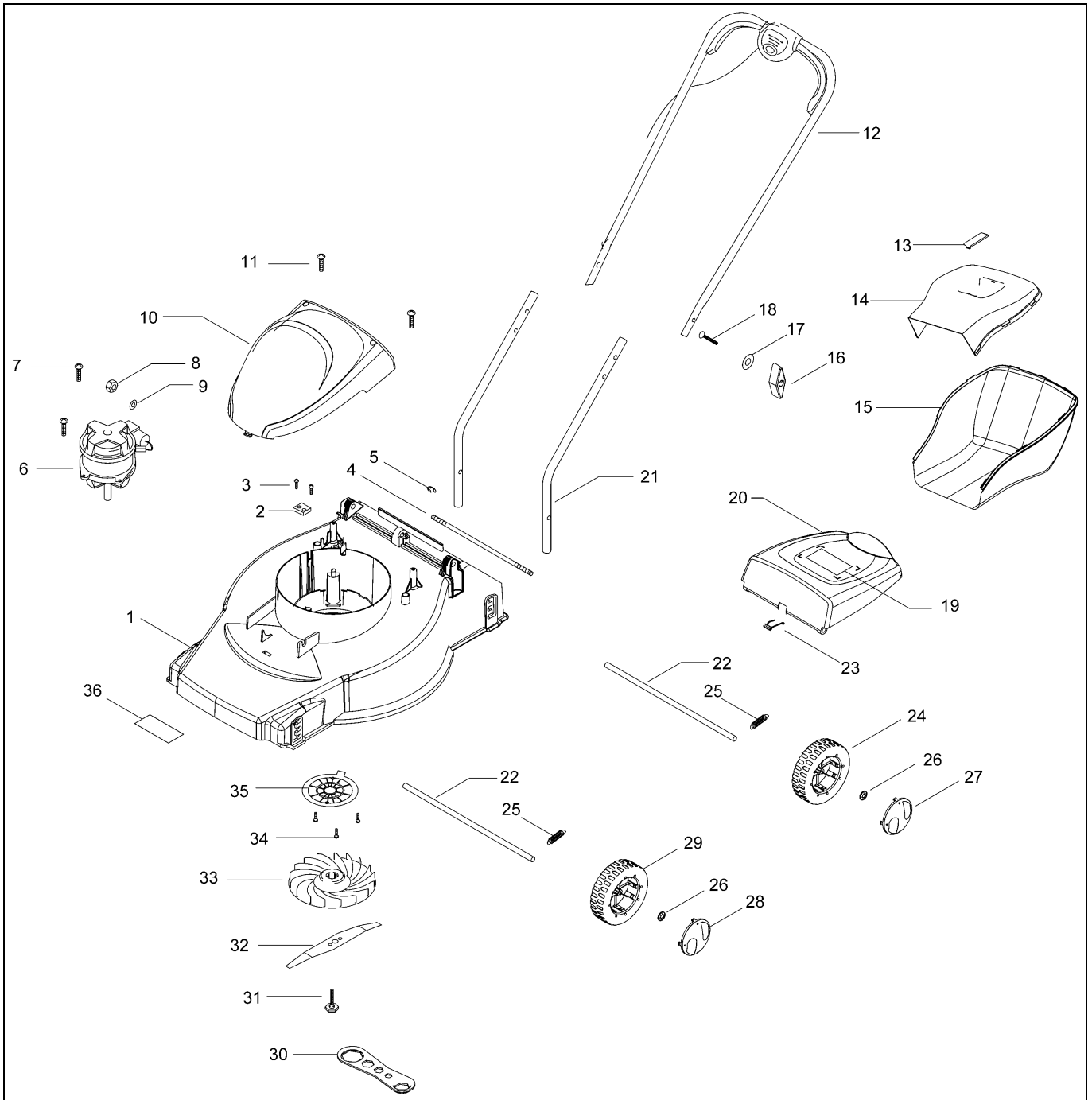


PNC	Type/Prefix/nd	Model	Market
964320322	1	Flymo RE330	Swiss

Number of Pages 1 of 3

Factory: FLM - Aycliffe	Product Group: OM 78	
Publication Number: AP0407005	Electric Wheeled	
Publication Date: 15/07/04	Sub Group: 7891	



Page No. 3 of 3	964320322	Flymo RE330
OM	Electric Wheeled	Newton Aycliffe

Item	Part Number	Description	Qty	Item	Part Number	Description	Qty
1	510706168	Deck	1	34	514975301	Screw	2
2	514070500	Cable Clamp	1	35	512824300	Finger Protection Plate	1
3	514975301	Screw	2	36	513105801	Label Brand	1
4	513103800	Tie Rod	1	37	510711702	Switchbox	1
5	513104100	E clip	2				
6	515016800	Motor	1				
7	514975301	Screw	2				
8	514910600	Nut	1				
9	513909900	Washer	1				
10	511939664	Motor Cover	1				
11	513097400	Screw	2				
12	512771200	Handle Upper	1				
13	513098067	Handle Grassbox	1				
14	510706468	Grassbox Upper	1				
15	510706668	Grassbox Lower	1				
16	513096600	Wing Knob	2				
17	514026603	Washer	2				
18	514919801	Bolt	2				
19	513858700	Label Warning	1				
20	511939764	Safety Flap	1				
21	511947068	Handle Lower	2				
22	513097100	Axle	2				
23	513096800	Spring	1				
24	511944567	Wheel 6"	2				
25	513112500	Axle Spring	4				
26	514967900	Starlock Washer	4				
27	511944664	Hubcap 6"	2				
28	511944864	Hubcap 5"	2				
29	511944767	Wheel 5"	2				
30	513098200	Spanner	1				
31	513106401	Blade Bolt	1				
32	511949400	Blade	1				
33	511959700	Impeller	1				