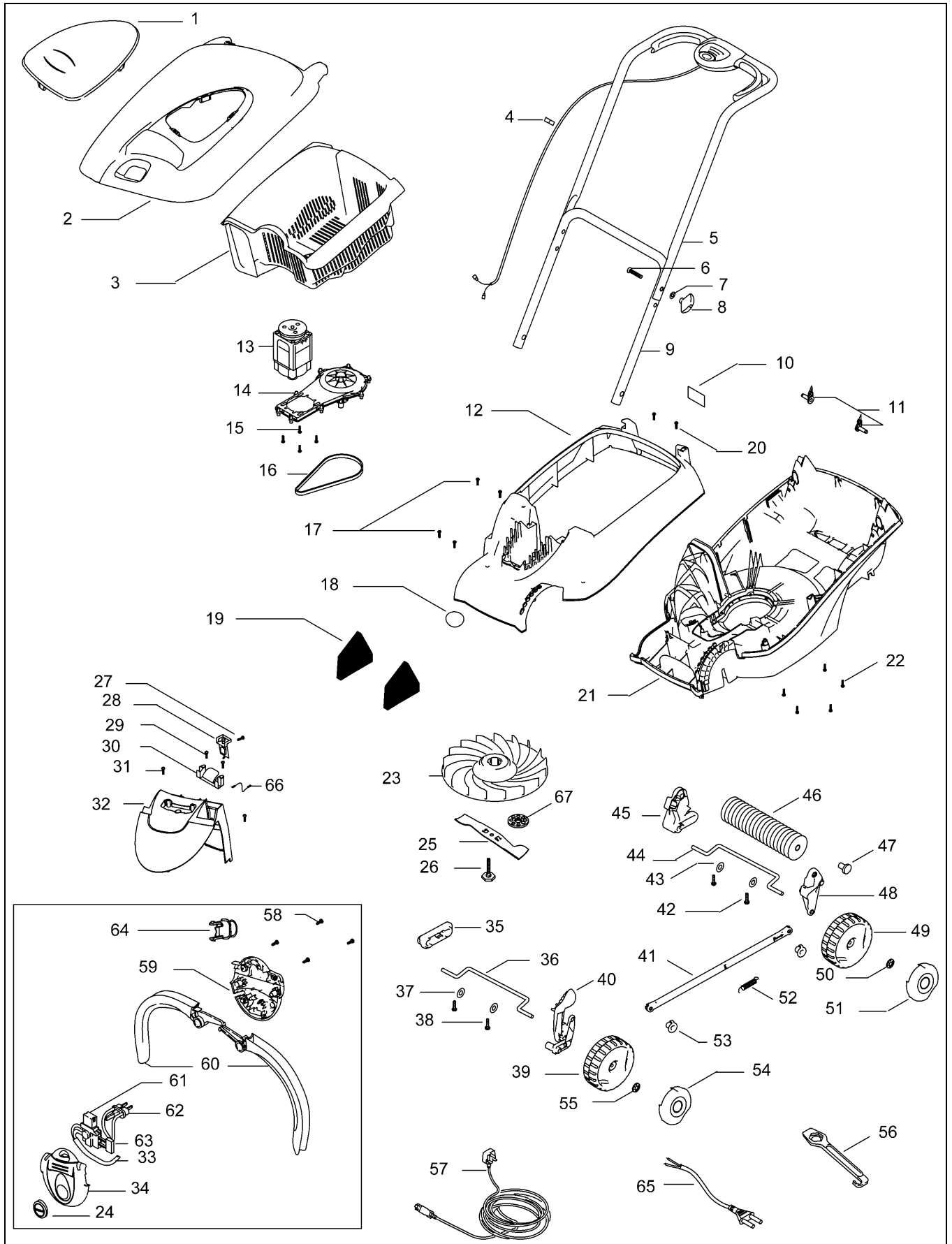


PNC	Type/Prefix/nd	Model	Market
9644412-01	01	Roller Compact 4000	UK

Number of Pages 1 of 3

Factory: FLM - Aycliffe	Product Group: OM 78	
Publication Number: AP0505006	Electric Hover	
Publication Date: 23/05/05	Sub Group: 7891	

Page No. 2 of 3	9644412-01/ 9644412-62	Flymo Roller Compact 4000
OM	Electric Wheeled	Newton Aycliffe



Item	Part Number	Description	Qty	Item	Part Number	Description	Qty
1	511952000	* Vision Window	1	36	512819900	Axle	1
2	511965600	Lid Assy, includes * Items	1	37	513918900	Washer	2
3	510710200	Grass basket	1	38	514975301	Screw	2
4	513857400	Cable Clip	2	39	512820100	Wheel	2
5	511830300	Handle Upper	1	40	512820000	Height Adjustment Arm	1
6	514919801	Bolt	2	41	512818200	Link Rod	1
7	514026600	Washer	2	42	514975301	Screw	2
8	510709164	Wing Knob	2	43	513918900	Washer	2
9	511832300	Handle Lower	1	44	512819900	Axle	1
10	513858700	Label Warning	1	45	512820500	Spacer Rear RH	1
11	513068000	Handle fix	2	46	512820400	Roller	1
12	510710000	Deck Upper	1	47	513078900	Roller Pin	2
13	511973800	Motor	1	48	512820300	Spacer Rear LH	1
14	510708500	Motor mounting plate	1	49	512820600	Wheel	2
15	513119100	Screw	4	50	514968000	Starlock Washer	2
16	513120800	Belt	1	51	512820700	Hub Cap	2
17	513119100	Screw	4	52	513109000	Spring	1
18	513113900	Badge	1	53	513109100	Pin	2
19	513109200	Filter	2	54	512820200	Hub Cap	2
20	514975301	Screw	2	55	514968000	Starlock Washer	2
21	510709900	Deck Lower	1	56	512793300	Spanner	1
22	513119100	Screw	5	57	512725003	UK, EU Cable	1
23	511948100	Impeller	1	58	513087300	Screw	4
24	513103064	Button Lock off	1	59	511945768	Switchbox Lower UK, CH	1
25	511948087	Blade	1		511945868	Switchbox lower EU	1
26	513113300	Blade Bolt	1	60	513089600	Levers Kit	1
27	513075500	Screw	1	61	513050400	Switch	1
28	513074700	Switch Bracket Assy	1	62	512769600	Pin Retainer UK, CH	1
29	514975301	Screw	2		513111700	Pin Retianer EU	1
30	512787100	Lid Latch	1	63	514839701	Capacitor	1
31	514975301	Screw	2	64	512773268	Cord Anchor CH	1
32	510710100	Motor Cowl	1	65	514700003	Lead	1
33	513071001	Lead Assy	1	66	513070000	Cowl Lead Assy	1
34	511945668	Switchbox Upper	1	67	513125600	Blade Spacer	1
35	513108900	Spacer, front RH	1				