

brand **Flymo**

date **12.12.2003** Sheet **1/2**

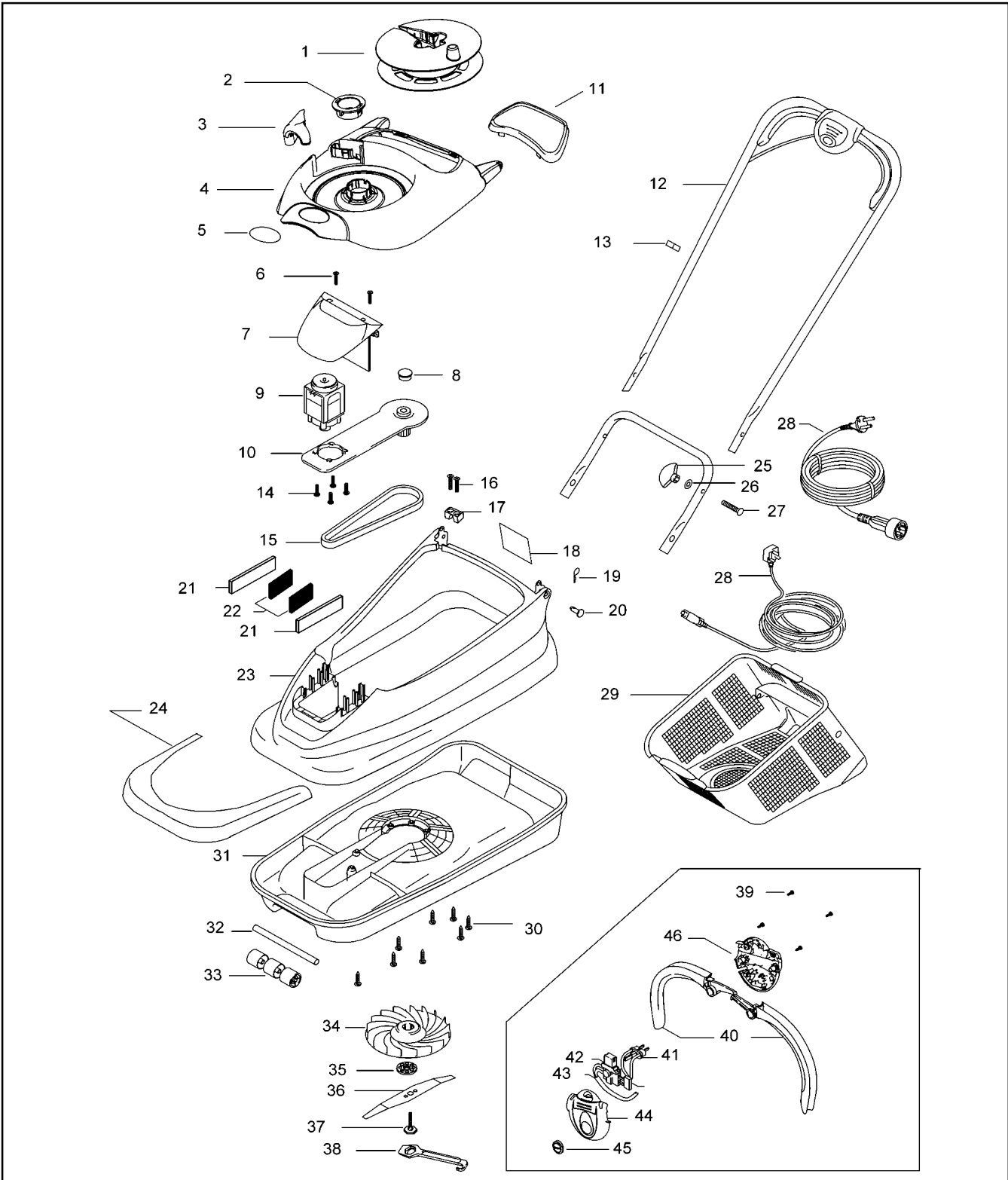
Publication No. **AP0312005**

Model

Vision Compact 380
Vision Compact 380

Product Number

9633801-01 (UK)
9633801-62 (Euro)



brand	Flymo
-------	-------

date	12.12.2003	Sheet 2/2
------	------------	-----------

Vision Compact 380

pos	Part No	Description	Qty	pos	Part No	Description	Qty		
1	5128232-00/5	Spool assy	1						
2	*	5131128-00/0	Bearing moulded	1	35	5138110-01/9	Spacer	1	
3	*	5128223-00/4	Cable guide	1		5138110-81/1	Spacer pre pack double	1	
4		5107145-00/4	Lid assy	1	36	5118436-00/4	Blade	1	
		includes * items				5118436-80/6	Blade pre pack single	1	
		5107145-87/1	Lid assy	1					
		includes * items & items # 1 & 28							
5	*	5131139-00/7	Badge	1	37	5137608-00/5	Blade bolt	1	
6		5149117-00/3	Screw	2	38	5127933-00/9	Spanner	1	
7		5106921-00/9	Motor cover	1	39	5130873-00/2	Screw	4	
8		5149655-00/2	Cover	1	40	5130896-00/3	Levers, pair	1	
9		5117899-56/6	Motor	1	41	UK	5127696-00/2	Pin retainer	1
10		5139522-00/6	Baseplate	1		Eu	5131117-00/3	Pin retainer	1
11	*	5119460-00/3	Viewer	1	42		5130504-00/3	Switch	1
12		5128121-00/0	Handle, upper	1	43		5148814-56/8	Lead internal	1
13		5138574-00/8	Cable clip	2	44		5119456-68/8	Switchbox upper	1
14		5131191-00/8	Screw	4	45		5131030-64/4	Lock off button	1
15		5130503-00/5	Belt	1	46	UK	5119457-68/6	Switchbox lower	1
16		5149117-00/3	Screw	2		Eu	5119458-68/4	Switchbox lower	1
17		5126827-01/2	Cable clamp	1					
18		5138587-00/0	Label, warning	1					
19		5140423-00/4	Clip	2					
20		5140092-03/1	Pivot pin	2					
21		5149682-00/6	Filter	2					
22		5149281-00/7	Filter	2					
23		5119111-00/2	Casing	1					
24		5106764-00/3	Plate cover	1					
25		5107091-64/6	Wing knob	2					
26		5140266-00/7	Washer	2					
27		5149198-01/1	Bolt	2					
28	UK	5127250-03/2	Cable	1					
	EU	5127575-02/4	Cable	1					
29		5128107-00/9	Grassbox	1					
30		5131191-00/8	Screw	8					
31		5106842-00/7	Hood	1					
32		5149611-00/5	Axle, roller	1					
33		5127918-00/0	Roller (x3 kit)	1					
34		5117227-04/0	Impeller	1					