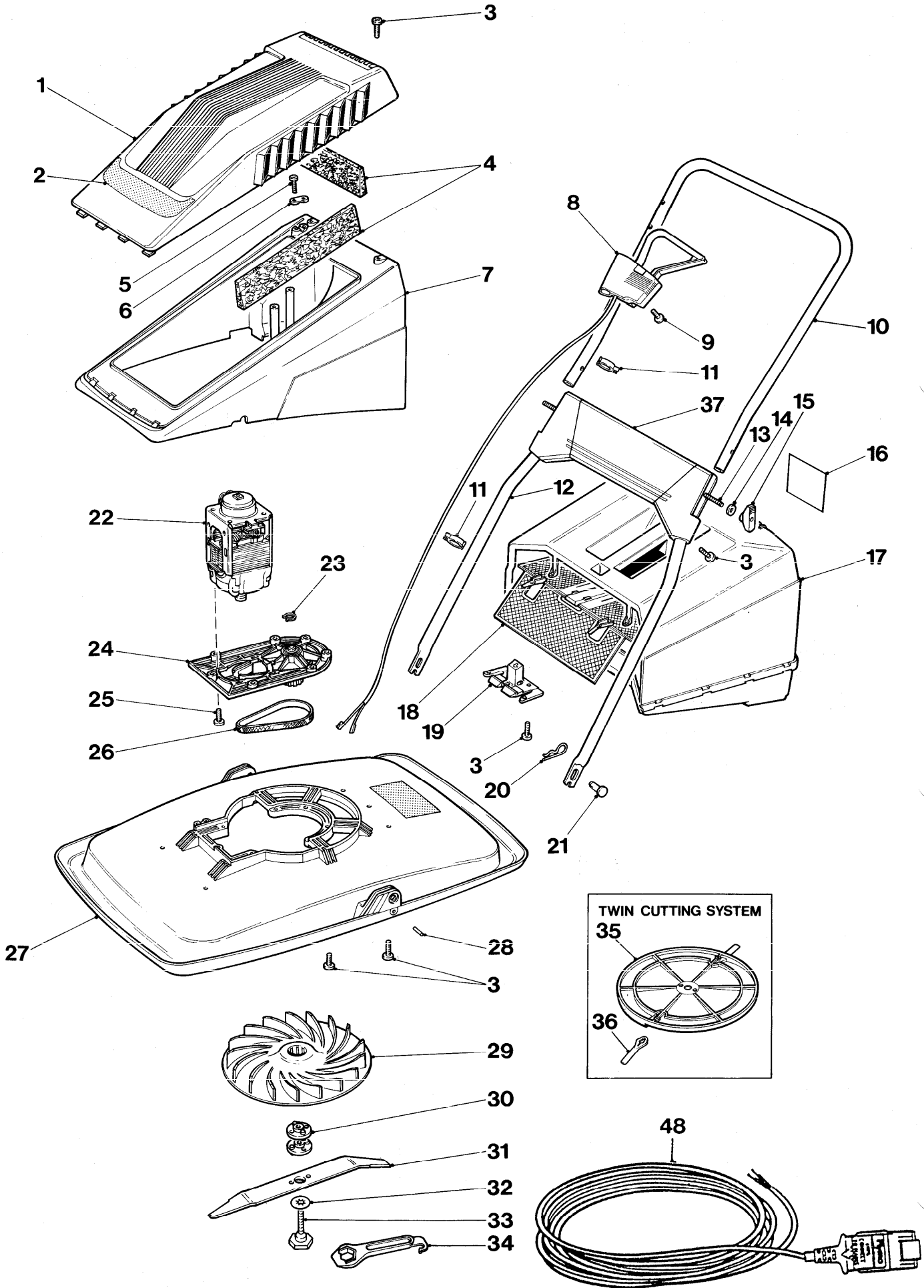




XE400 TWIN 9634001 SPRINTMASTER





XE400 TWIN 9634001 SPRINTMASTER

| KEY No | PART No | DESCRIPTION | QUANTITY | COMMENTS APPLICATION |
|--------|---------------|-------------------------------|----------|-------------------------|
| 1 | 5117343-00/3 | COWL UPPER | 1 | |
| 2 | 5126732-00/6 | LABEL FLYMO | 1 | |
| 3 | 5148649-01/4 | SCREW PT 5 X 16 | 24 | |
| 4 | 5137846-00/1 | FILTER | 3 | |
| 5 | 5146941-00/9 | SCREW HI-LO 04.32X16LG PAN | 2 | |
| 6 | 5140705-00/4 | CABLE CLAMP | 1 | |
| 7 | 5106375-00/8 | COWL LOWER | 1 | |
| 8 | 5126891-10/9 | SWITCHBOX ASSEMBLY | 1 | |
| 9 | 5146672-00/0 | SCREW NO 6 POZIDRIVE RECESSED | 2 | |
| 10 | 5117402-00/7 | HANDLE UPPER | 1 | |
| 11 | 5137750-00/5 | CLIP CABLE | 2 | |
| 12 | 5117401-00/9 | HANDLE LOWER | 1 | |
| 13 | 5148736-00/1 | BOLT HEX HEAD M6 | 2 | |
| 14 | 5140266-00/7 | WASHER 6.4MM ID X 12MM OD | 2 | |
| 15 | 5137679-00/6 | WING KNOB M6 | 2 | |
| 16 | 5146467-00/5 | LABEL WARNING | 1 | |
| 17 | 51377966-00/7 | GRASSBOX ASSEMBLY XE400 | 1 | |
| 18 | 5117299-00/7 | GRASSBOX SCREEN | 1 | |
| 19 | 5126989-00/2 | GRASSBOX CLIP | 1 | |
| 20 | 5140423-00/4 | PIN RETAINING | 2 | |
| 21 | 5140092-00/7 | PIVOT PIN | 2 | |
| 22 | 5126950-01/2 | MOTOR 230/240V BRAKED | 1 | |
| 23 | 5148648-00/8 | CIRCLIP | 1 | |
| 24 | 5137863-00/6 | BASEPLATE/PULLEY ASSEMBLY | 1 | |
| 25 | 5148696-01/5 | MOTOR SCREW | 1 | |
| 26 | 5137872-00/7 | DRIVE BELT | 1 | |
| 27 | 5137890-00/9 | HOOD ASSEMBLY C.W PIN | 1 | |
| 28 | 51475934-00/5 | PIN | 2 | |
| 29 | 5117227-01/6 | IMPELLER | 1 | |
| 30 | 5136668-01/8 | BLADE SPACER PEGGED | 1 | |
| 31 | 5126995-00/9 | BLADE | 1 | |
| 32 | 5148259-00/4 | WASHER ANTI FRICTION PTFE | 1 | |
| 33 | 5137608-00/5 | BLADE BOLT C/W PTFE WASHER | 1 | |
| 34 | 5126682-00/3 | SPANNER/SCRAPER ABS | 1 | |
| 35 | 5126735-00/9 | DISC ASSY 38 CM | 1 | |
| 36 | 5148257-02/4 | CUTTER PLASTIC LONG LIFE | 2 | |
| 37 | 5106435-00/0 | CONSOLE XE400 | 1 | |
| 48 | 5126890-02/8 | CABLE EXTENSION | 1 | |

A Osterreich, AUS Australia, B Belgique/Belgie, CND Canada, CH Schweiz/Suisse, D Deutschland, DK Danmark, E Espania, EI Eire, F France, GB Great Britain, I Italia, N Norge, NL Nederland, NZ New Zealand, O/S Overseas, P Portugal, S Sverige, SF Suomi, USA U.S.A., ZA South Africa

WHERE NO APPLICATION DETAILS ARE SHOWN, PART APPLIES TO ALL COUNTRIES

PRODUCT VARIANT
9634001-25 GB