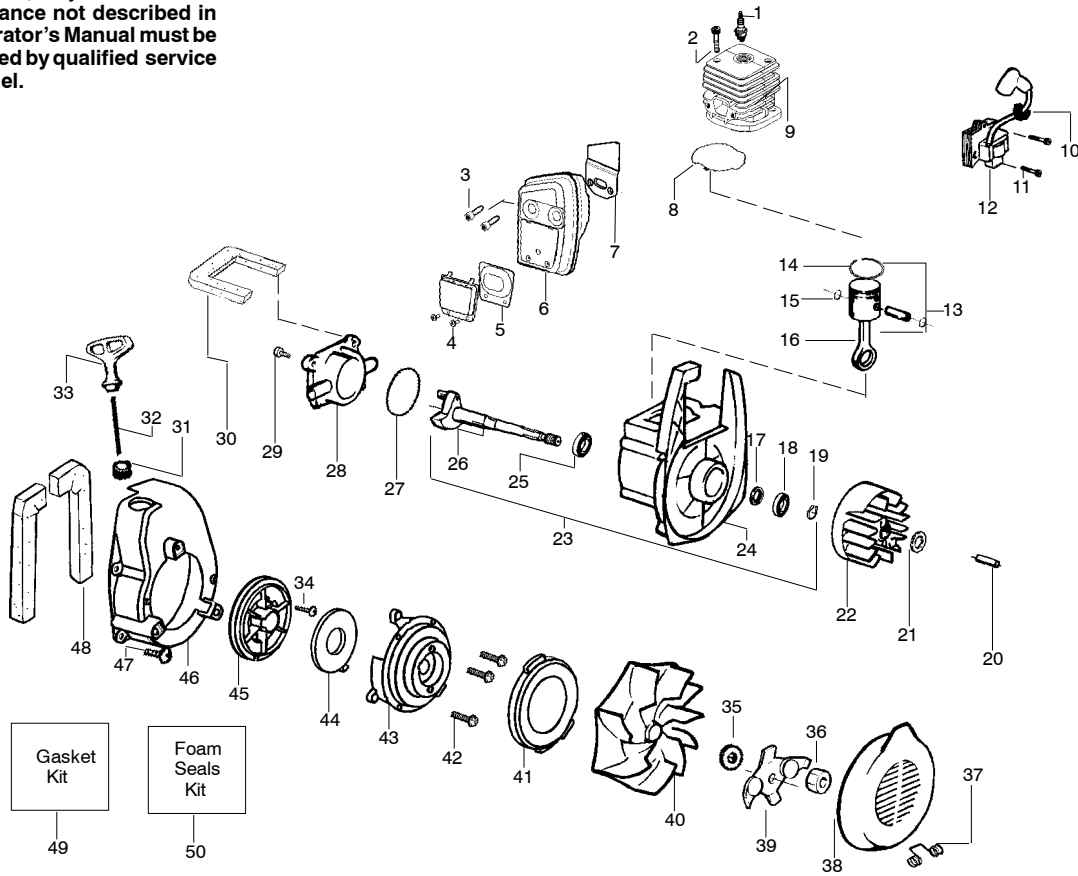


PARTS LIST NO. 530164997		 PARTS LIST	MODEL(s) XLB250
DATE 12/15/06	Replaces 530164997 - 07/27/06		Note: Illustration may differ from actual model due to design changes

TYPE 1

WARNING

All repairs, adjustments and maintenance not described in the Operator's Manual must be performed by qualified service personnel.



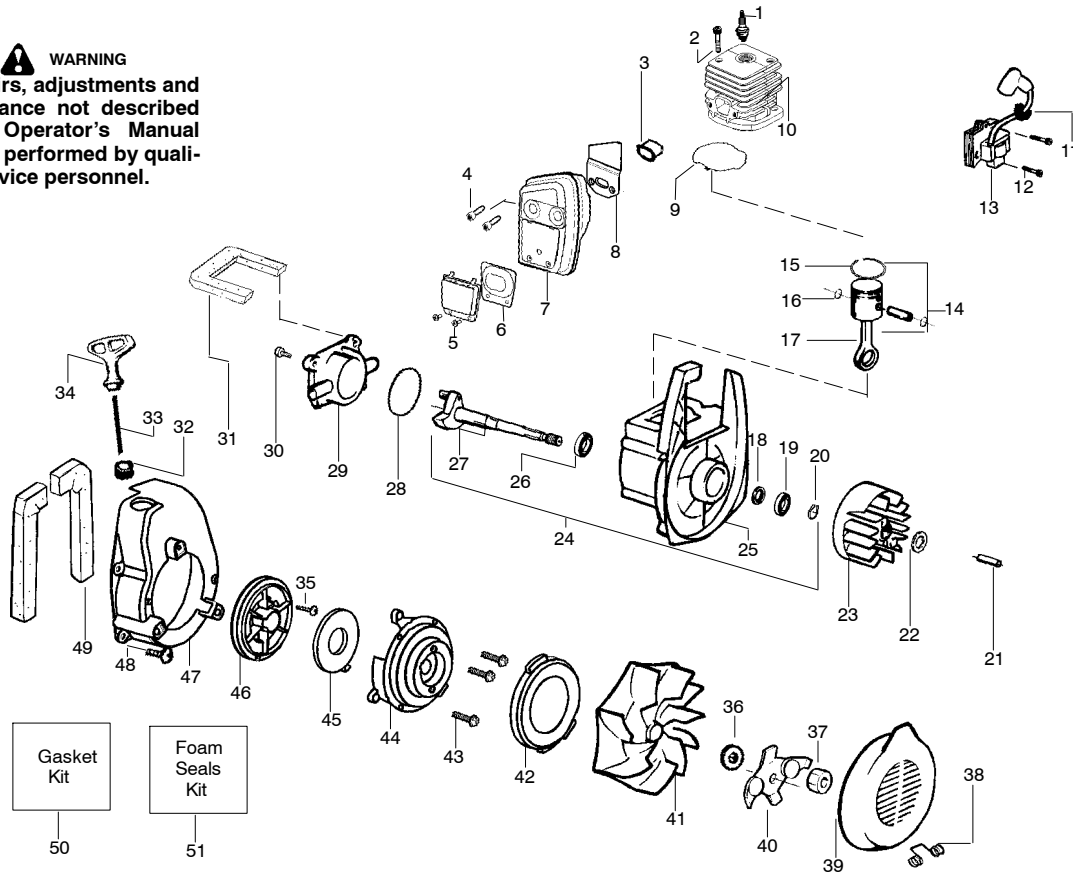
Ref.	Part No.	Description	Ref.	Part No.	Description	Ref.	Part No.	Description
1.	952030249	Spark Plug (RCJ-6Y)	20.	530016190	Spacer-Flywheel	39.	530095461	Assy-Mulch Blade
2.	530015953	Screw	21.	530015149	Washer	40.	530069817	Assy-Impeller
3.	530016387	Screw-Muffler-Internal	22.	530039209	Assy-Flywheel	41.	530056625	Seal-Ring
4.	530015241	Screw	23.	530071456	Assy-Crankcase/Crank shaft (incl. 19,24,26)	42.	530016349	Screw
5.	530071593	Kit-Spark Screen (incl. #4)	24.	530012492	Assy-Crankcase (incl. 17,18,25)	43.	530055101	Housing-Pulley
6.	530071834	Kit-Muffler (incl. 3,4,5, & 7)	25.	530032125	Bearing-Inner	44.	530042086	Spring-Starter
7.	530071458	Gasket-Baffle (kit)	26.	530012452	Assy-Crankshaft	45.	530071466	Kit-Starter Pulley
8.	530071458	Gasket-Cylinder (kit)	27.	530071458	O-ring-C/case (kit)	46.	530055102	Fan Housing
9.	530012432	Cylinder	28.	530012443	Cover-Crankcase	47.	530015810	Screw
10.	530019182	Grommet-Ign. Module	29.	530015810	Screw	48.	530071459	Foam-182mm (kit)
11.	530016357	Screw-Ignition Module	30.	530071459	Foam-219mm (kit)	49.	530071458	Kit-Gasket (page 1 incl. 2, & 5) (page 4 incl. 7,8, & 27)
12.	530035505	Ignition Module	31.	530029182	Eyelet-Flange	50.	530071459	Kit-Foam Seals (page 1 incl. 1,14,31) (page 4 incl. 30 & 48)
13.	530071833	Kit-Piston (Incl. 14,15)	32.	530071467	Kit-Rope (Incl. 34)			
14.	530055120	Piston Ring	33.	530049488	Handle-Starter			
15.	530015162	Retainer-Piston Pin	34.	530016391	Screw-Rope			
16.	530069945	Assy-Connecting Rod	35.	530016402	Washer-Belleville			
17.	530019264	Seal-Crankcase	36.	530626605	Nut			
18.	530055728	Bearing-Outer	37.	530402043	Spring-Return Cover			
19.	530015941	Retainer Ring-C'chaft	38.	530049313	Inlet Door			

✓ = NEW PART NUMBER FOR THIS IPL

★ = REFER TO THE SERVICE REFERENCE INDICATED FOR MORE INFORMATION. (LOCATED AT END OF IPL)

TYPE 2

WARNING
All repairs, adjustments and maintenance not described in the Operator's Manual must be performed by qualified service personnel.



Ref.	Part No.	Description	Ref.	Part No.	Description	Ref.	Part No.	Description
1.	952030249	Spark Plug (RCJ-6Y)	21.	530016190	Spacer-Flywheel	40.	530095461	Assy-Mulch Blade
2.	530015953	Screw	22.	530015149	Washer	41.	530069817	Assy-Impeller
3.	530055191	Insulator-Heat	23.	530039209	Assy-Flywheel	42.	545078801	Seal-Ring
4.	530016387	Screw-Muffler-Internal	24.	530071456	Assy-Crankcase/Crank shaft (incl. 20,25,27)	43.	530016349	Screw
5.	530015241	Screw	25.	530012492	Assy-Crankcase (Incl. 18,19,26)	44.	545079101	Housing-Pulley
6.	530071593	Kit-Spark Screen (incl. #5)	26.	530032125	Bearing-Inner	45.	530042086	Spring-Starter
7.	530071834	Kit-Muffler (incl. 4,5,6, & 8)	27.	530012452	Assy-Crankshaft	46.	530071466	Kit-Starter Pulley
8.	530071458	Gasket-Baffle (kit)	28.	530071458	O-ring-C/case (kit)	47.	545079001	Fan Housing
9.	530071458	Gasket-Cylinder (kit)	29.	545064601	Cover-Crankcase	48.	530015810	Screw
10.	530071457	Kit-Cylinder	30.	530015810	Screw	49.	530071459	Foam-182mm (kit)
11.	530019182	Grommet-Ign. Module	31.	530071459	Foam-219mm (kit)	50.	530071458	Kit-Gasket (page 2 incl. 2, & 5) (page 5 incl. 8,9, & 28)
12.	530016357	Screw-Ignition Module	32.	530029182	Eyelet-Flange	51.	530071459	Kit-Foam Seals (page 2 incl. 1,14,31) (page 5 incl. 31 & 49)
13.	530035505	Ignition Module	33.	530071467	Kit-Rope (Incl. 35)			
14.	530071833	Kit-Piston (Incl. 15 & 16)	34.	530049488	Handle-Starter			
15.	530055120	Piston Ring	35.	530016391	Screw-Rope			
16.	530015162	Retainer-Piston Pin	36.	530016402	Washer-Belleville			
17.	530069945	Assy-Connecting Rod	37.	530626605	Nut			
18.	530019264	Seal-Crankcase	38.	530402043	Spring-Return Cover			
19.	530055728	Bearing-Outer	39.	530049313	Inlet Door			
20.	530015941	Retainer Ring-C'chaft						

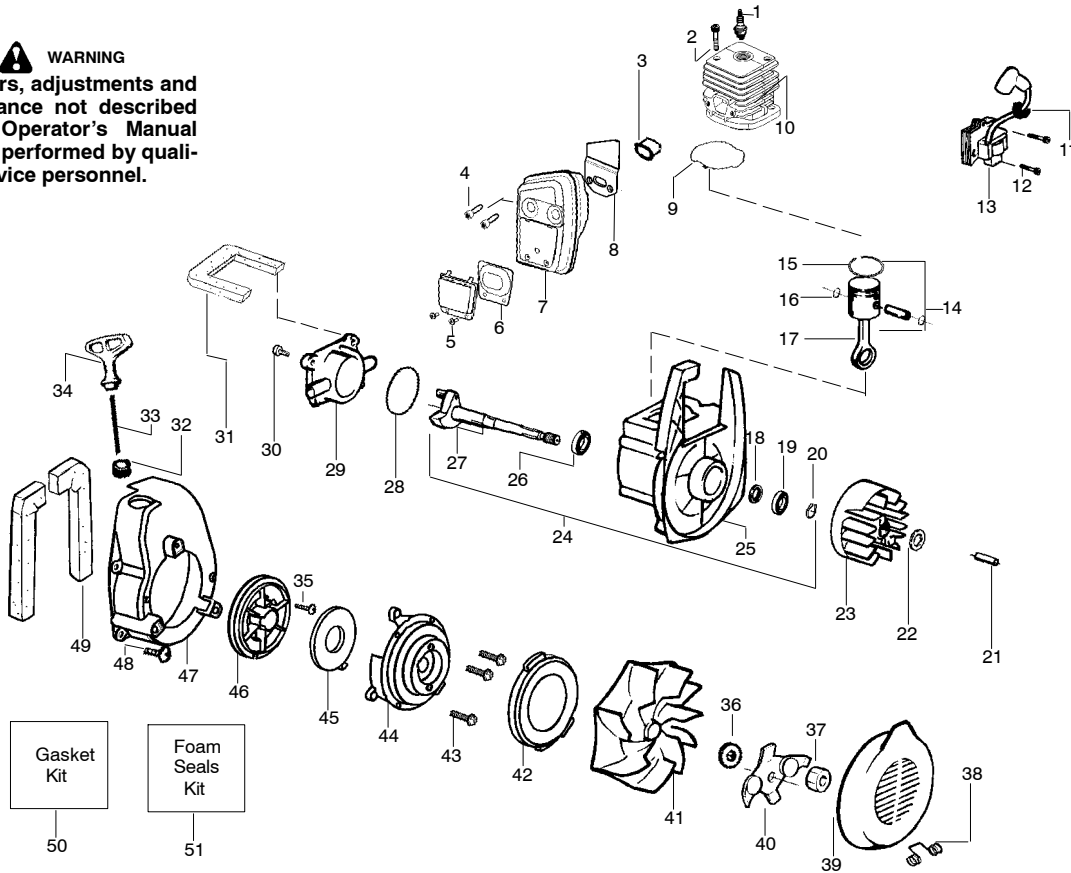
↖ = NEW PART NUMBER FOR THIS IPL ★ = REFER TO THE SERVICE REFERENCE INDICATED FOR MORE INFORMATION. (LOCATED AT END OF IPL)

PARTS LIST NO. 530164997		Flymo [®] <small>Electrolux</small> PARTS LIST	MODEL(s) XLB250
DATE 12/15/06	Replaces 530164997 - 07/27/06		Note: Illustration may differ from actual model due to design changes

TYPE 3

WARNING

All repairs, adjustments and maintenance not described in the Operator's Manual must be performed by qualified service personnel.

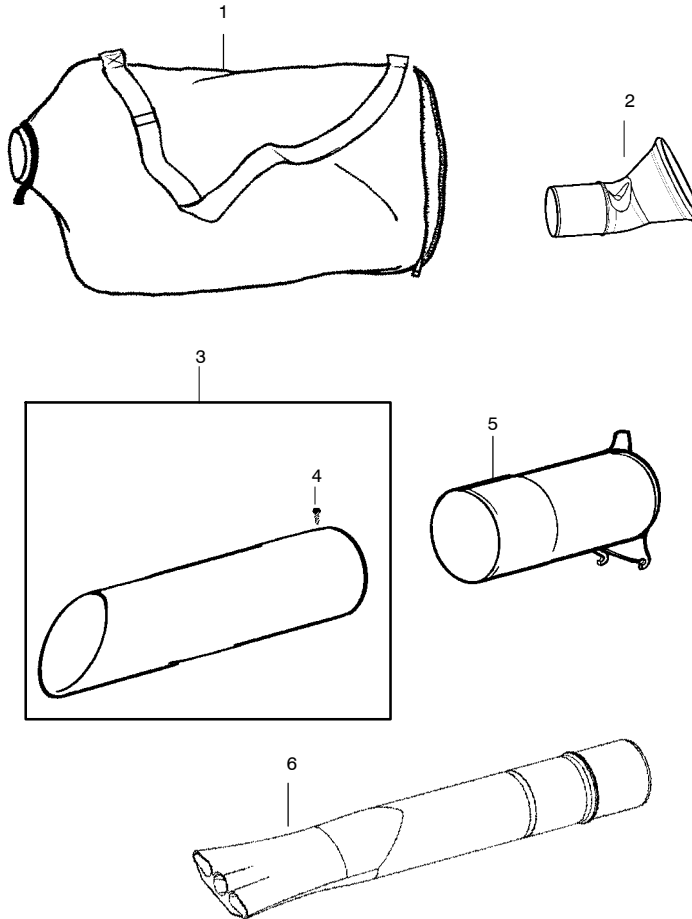


Ref.	Part No.	Description	Ref.	Part No.	Description	Ref.	Part No.	Description
1.	952030249	Spark Plug (RCJ-6Y)	21.	530016190	Spacer-Flywheel	40.	530095461	Assy-Mulch Blade
2.	530015953	Screw	22.	530015149	Washer	41.	530069817	Assy-Impeller
3.	530055191	Insulator-Heat	23.	530039209	Assy-Flywheel	42.	530056625	Seal-Ring
4.	530016387	Screw-Muffler-Internal	24.	530071456	Assy-Crankcase/Crank shaft (incl. 20,25,27)	43.	530016349	Screw
5.	530015241	Screw	25.	530012492	Assy-Crankcase (Incl. 18,19,26)	44.	530055101	Housing-Pulley
6.	530071593	Kit-Spark Screen (incl. #5)	26.	530032125	Bearing-Inner	45.	530042086	Spring-Starter
7.	530071834	Kit-Muffler (incl. 4,5,6, & 8)	27.	530012452	Assy-Crankshaft	46.	530071466	Kit-Starter Pulley
8.	530071458	Gasket-Baffle (kit)	28.	530071458	O-ring-C/case (kit)	47.	530055102	Fan Housing
9.	530071458	Gasket-Cylinder (kit)	29.	545064601	Cover-Crankcase	48.	530015810	Screw
10.	530071457	Kit-Cylinder	30.	530015810	Screw	49.	530071459	Foam-182mm (kit)
11.	530019182	Grommet-Ign. Module	31.	530071459	Foam-219mm (kit)	50.	530071458	Kit-Gasket (page 3 incl. 2, & 5) (page 6 incl. 8,9, & 28)
12.	530016357	Screw-Ignition Module	32.	530029182	Eyelet-Flange	51.	530071459	Kit-Foam Seals (page 3 incl. 1,14,31) (page 6 incl. 31 & 49)
13.	530035505	Ignition Module	33.	530071467	Kit-Rope (Incl. 35)			
14.	530071833	Kit-Piston (Incl. 15 & 16)	34.	530049488	Handle-Starter			
15.	530055120	Piston Ring	35.	530016391	Screw-Rope			
16.	530015162	Retainer-Piston Pin	36.	530016402	Washer-Belleville			
17.	530069945	Assy-Connecting Rod	37.	530626605	Nut			
18.	530019264	Seal-Crankcase	38.	530402043	Spring-Return Cover			
19.	530055728	Bearing-Outer	39.	530049313	Inlet Door			
20.	530015941	Retainer Ring-C'chaft						

✓ = NEW PART NUMBER FOR THIS IPL * = REFER TO THE SERVICE REFERENCE INDICATED FOR MORE INFORMATION. (LOCATED AT END OF IPL)

PARTS LIST NO. 530164997		Flymo ® <small>Electrolux</small> PARTS LIST	MODEL(s) XLB250
DATE 12/15/06	Replaces 530164997 - 07/27/06		Note: Illustration may differ from actual model due to design changes

Assy - Vacuum

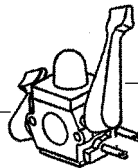


Ref.	Part No.	Description
1.	530095564	Assy-Vac. Bag w/strap
2.	545086401	Tube-Elbow Vac
3.	530071970	Kit-Vac Tube Lower (Incl. 4)
4.	530402528	Screw
5.	530056901	Tube-Upper Vac
6.	530095593	Tube-Blower

Kit - Carburetor Assy # 530071632 - C1Q-W11C (zama)

Kit - Carburetor Assy # 530071775 - WT-606 (walbro)

530071716 - Kit - Choke Lever (zama)
530071725 - Kit - Choke Lever (walbro)



530071715 - Kit - Throttle Lever (zama)
530071726 - Kit - Throttle Lever (walbro)

Note: No Repair kits are available for this carburetor, please order the complete assembly part number

✓ = NEW PART NUMBER FOR THIS IPL

★ = REFER TO THE SERVICE REFERENCE INDICATED FOR MORE INFORMATION. (LOCATED AT END OF IPL)