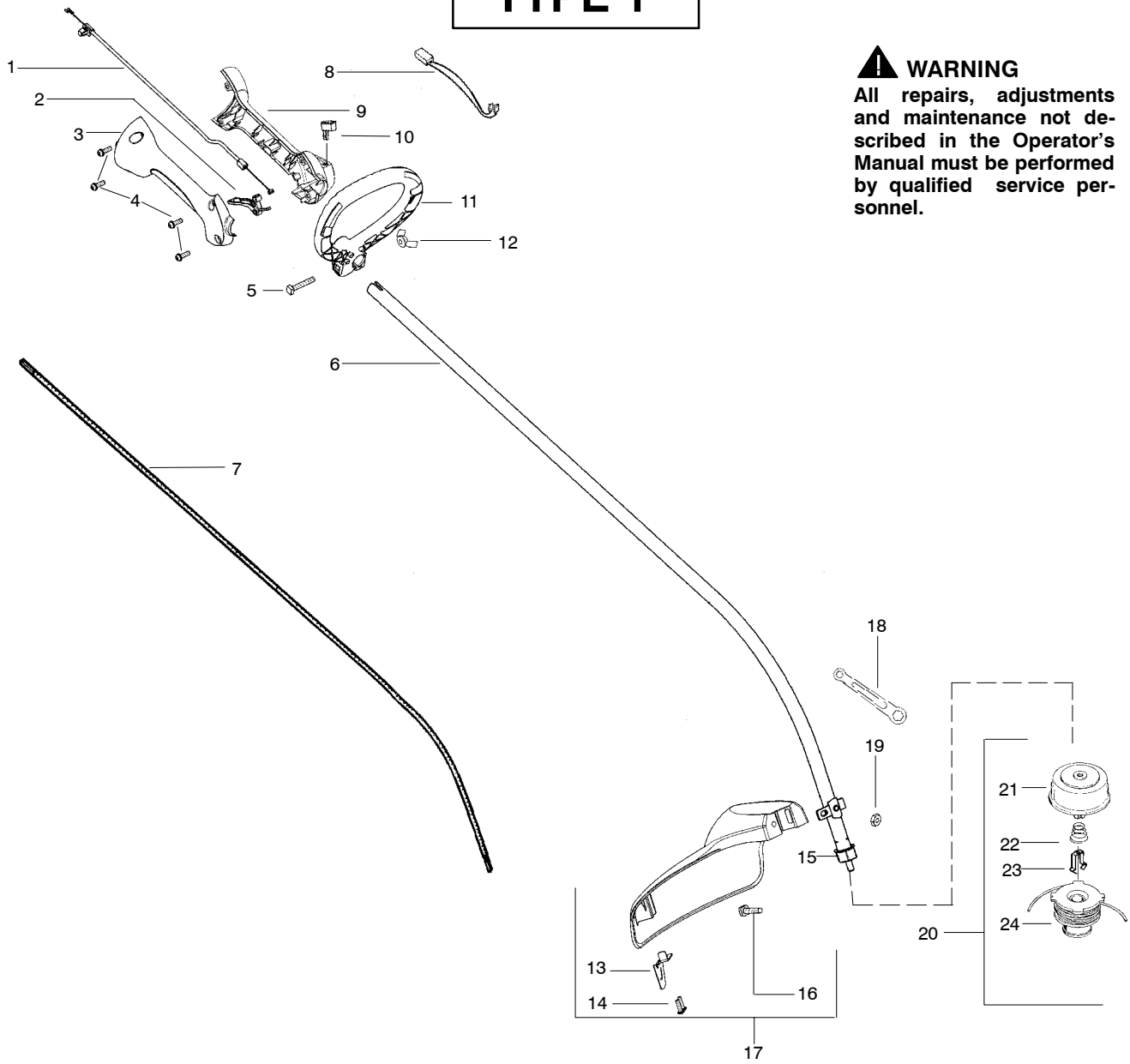


# TYPE 1

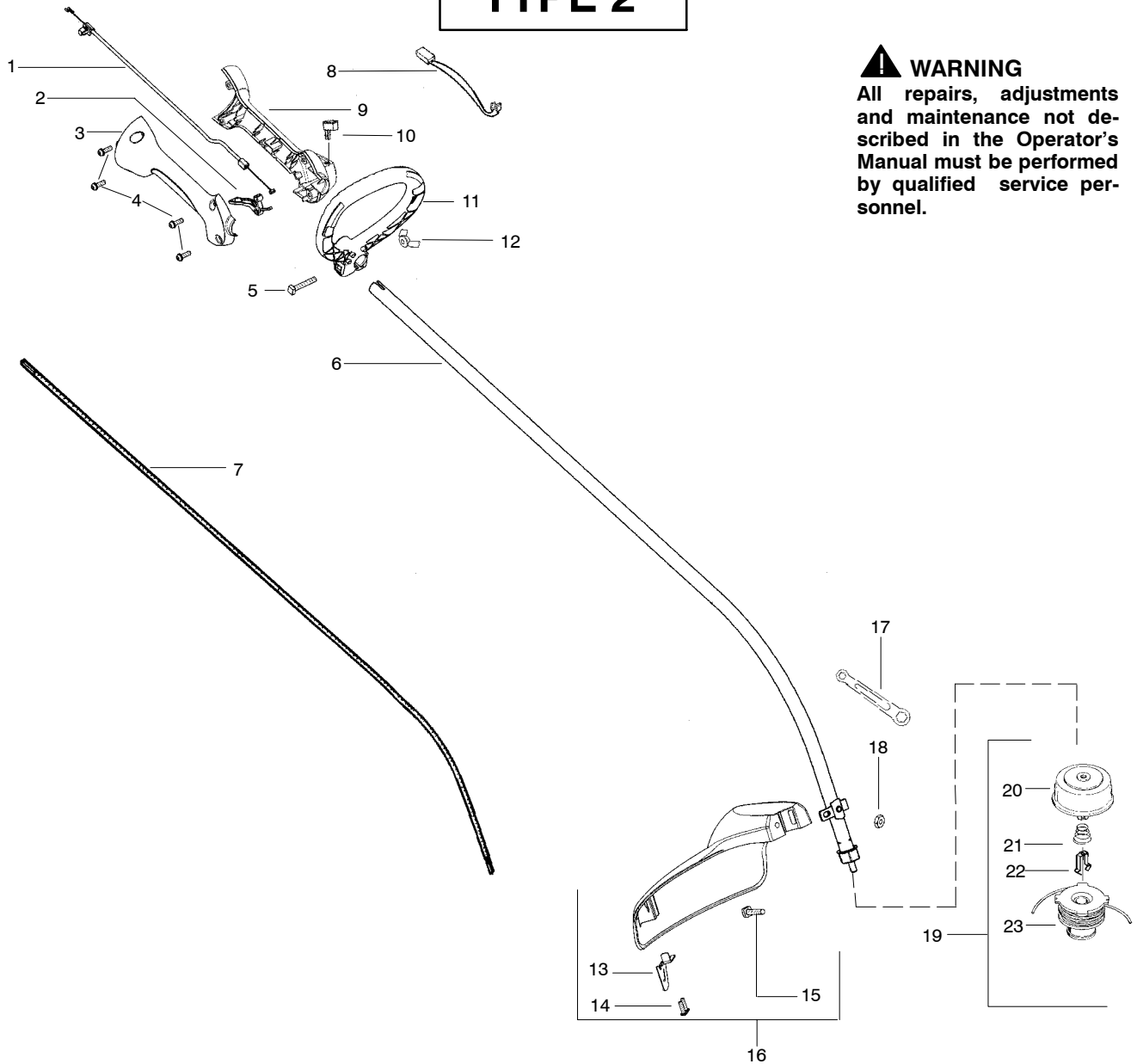


**⚠ WARNING**  
 All repairs, adjustments and maintenance not described in the Operator's Manual must be performed by qualified service personnel.

Ref.	Part No.	Description	Ref.	Part No.	Description
1.	530057991	Assy - Throttle Cable	18.	530056401	Wrench
2.	530049107	Trigger	19.	530015197	Nut
3.	530057582	Throttle Hsg. (Right)	20.	530095846	Assy - TNG VI Cutting Head (Incl. 21 - 24)
4.	530015880	Screw - Throttle Hsg.	21.	530095776	Assy - Hub
5.	530015821	Bolt - Handle	22.	530053241	Spring - Compression
6.	545041301	Assy - Drive Shaft Hsg.	23.	530401957	Clip - Retainer - Head
7.	530095242	Shaft - Flex	24.	530095845	Assy - Spool w/Line
8.	530054183	Assy - Wire	Not Shown		
9.	530059952	Throttle Hsg. (Left)	---	---	Operator Manual
10.	530069572	Kit - Switch	530166147	Scan	
11.	530057587	Handle - Assist	530166146	Euro	
12.	530016152	Wingnut	530166148	Euro III	
13.	530052287	Line Limiter	530166149	Euro IV	
14.	530015966	Screw - Line Limiter	530166150	Turkish	
15.	530095563	Dust Cup	530150303	Decal - Shaft Warning	
16.	530015820	Bolt			
17.	530071972	Kit - Shield Assy (Incl. 13,14,16,18,19)			

✓ = NEW PART NUMBER FOR THIS IPL      ★ = REFER TO THE SERVICE REFERENCE INDICATED FOR MORE INFORMATION. (LOCATED AT END OF IPL)

## TYPE 2

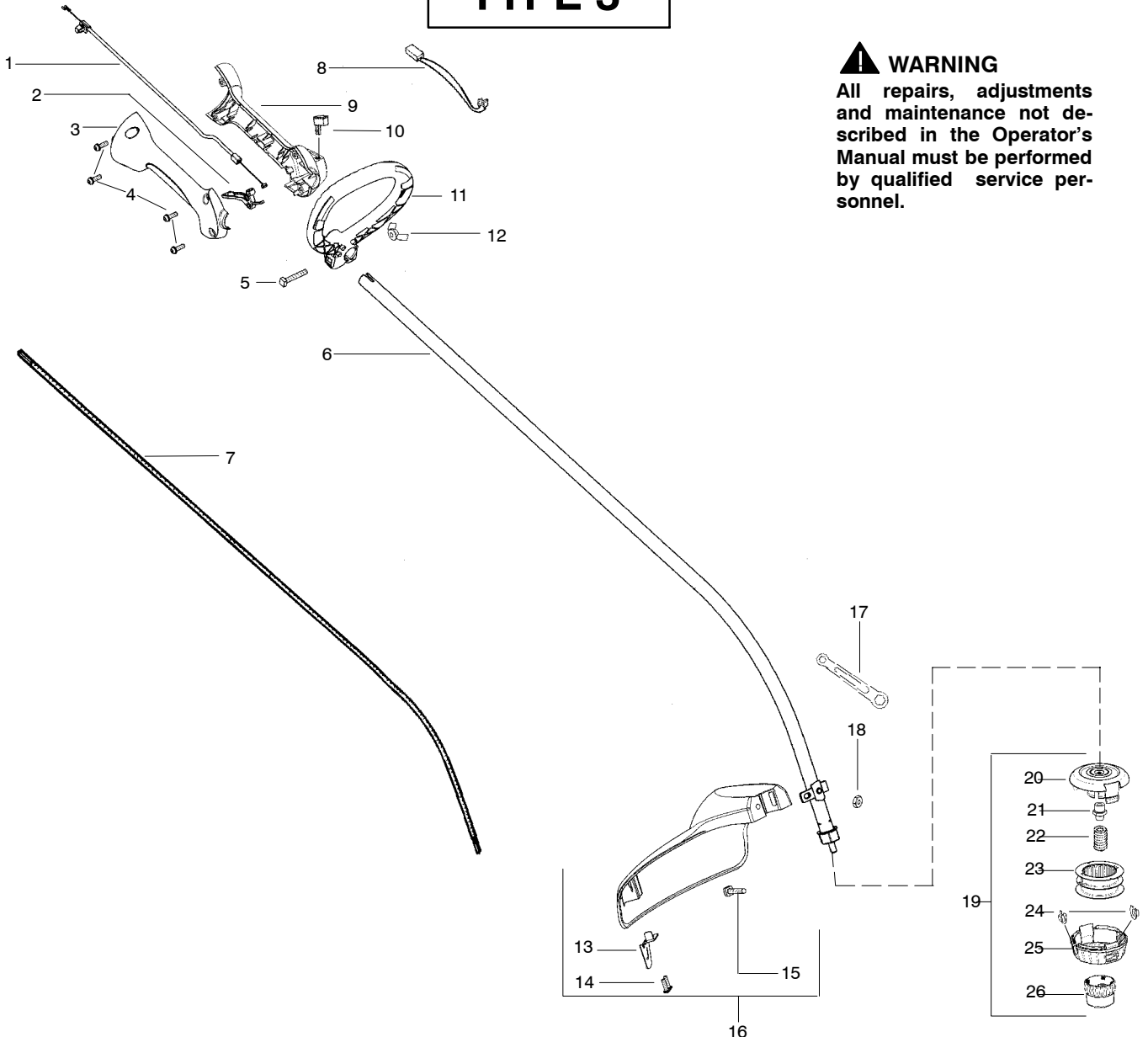


**⚠ WARNING**  
All repairs, adjustments and maintenance not described in the Operator's Manual must be performed by qualified service personnel.

Ref.	Part No.	Description	Ref.	Part No.	Description
1.	530057991	Assy – Throttle Cable	17.	530056401	Wrench
2.	530049107	Trigger	18.	530015197	Nut
3.	530057582	Throttle Hsg. (Right)	19.	530095846	Assy – TNG VI Cutting Head (Incl. 20,21,22,23)
4.	530015880	Screw – Throttle Hsg.	20.	530095776	Assy – Hub
5.	530015821	Bolt – Handle	21.	530053241	Spring – Compression
6.	545024806	Kit – Drive Shaft Hsg.	22.	530401957	Clip – Retainer – Head
7.	530096275	Shaft – Flex	23.	530095845	Assy – Spool w/Line
8.	530054183	Assy – Wire			
9.	530059952	Throttle Hsg. (Left)			
10.	530069572	Kit – Switch			
11.	530058580	Assy – Handle (Incl. 5,12)			
12.	530016152	Wingnut			
13.	530052287	Line Limiter			
14.	530015966	Screw – Line Limiter			
15.	530015820	Bolt			
16.	530071972	Kit – Shield Assy (Incl. 13,14,15,17,18)			
					Not Shown
					Operator Manual
					Scan
					Euro
					Euro III
					Euro IV
					Turkish
					Decal – Shaft Warning

✓ = NEW PART NUMBER FOR THIS IPL      \* = REFER TO THE SERVICE REFERENCE INDICATED FOR MORE INFORMATION. (LOCATED AT END OF IPL)

# TYPE 3

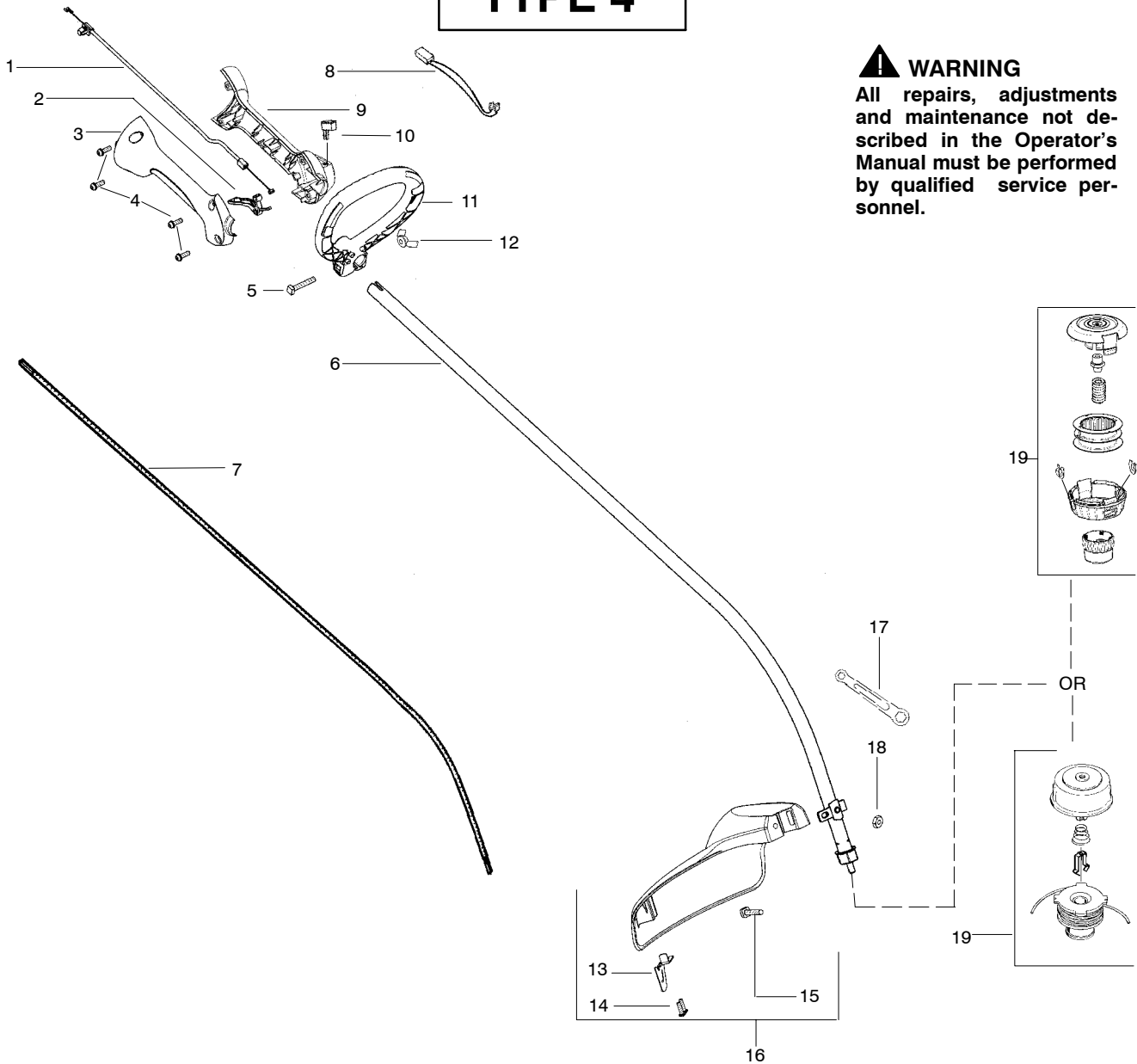


**⚠ WARNING**  
All repairs, adjustments and maintenance not described in the Operator's Manual must be performed by qualified service personnel.

Ref.	Part No.	Description	Ref.	Part No.	Description
1.	530057991	Assy – Throttle Cable	19.	537419205	Assy-Head TNG 7 (.080 RH 5/16") (Incl. 20,21,22,23,24,25,26)
2.	530049107	Trigger	20.	537419303	Housing-gray
3.	530057582	Throttle Hsg. (Right)	21.	537419901	Adapter
4.	530015880	Screw – Throttle Hsg.	22.	537338801	Spring
5.	530015821	Bolt – Handle	23.	545080801	Assy-Spool (.080 rh 5/16")
6.	545024806	Kit – Drive Shaft Hsg.	24.	537419701	Eyelet
7.	530096275	Shaft – Flex	25.	537419401	Cover
8.	530054183	Assy – Wire	26.	537419601	Knob
9.	530059952	Throttle Hsg. (Left)	Not Shown		
10.	530069572	Kit – Switch	---	---	Operator Manual
11.	530058580	Assy – Handle (Incl. 5,12)	545058770	---	Scan
12.	530016152	Wingnut	545058771	---	Euro
13.	530052286	Line Limiter	545058769	---	Euro III
14.	530015966	Screw – Line Limiter	545058768	---	Euro IV
15.	530015820	Bolt	545058767	---	Turkish
16.	545006023	Kit – Shield Assy (Incl. 13,14,15,17,18)	530150303	---	Decal – Shaft Warning
17.	530056401	Wrench			
18.	530015197	Nut			

✓ = NEW PART NUMBER FOR THIS IPL    \* = REFER TO THE SERVICE REFERENCE INDICATED FOR MORE INFORMATION. (LOCATED AT END OF IPL)

# TYPE 4



Ref.	Part No.	Description	Ref.	Part No.	Description
1.	530057991	Assy – Throttle Cable	17.	530056401	Wrench
2.	530049107	Trigger	18.	530015197	Nut
3.	530057582	Throttle Hsg. (Right)	19.	★★★★	Assy – TNG Cutting Head
4.	530015880	Screw – Throttle Hsg.			
5.	530015821	Bolt – Handle			
6.	545024806	Kit – Drive Shaft Hsg.			
7.	530096275	Shaft – Flex			
8.	530054183	Assy – Wire			
9.	530059952	Throttle Hsg. (Left)			
10.	530069572	Kit – Switch			
11.	530058580	Assy – Handle (Incl. 5,12)			
12.	530016152	Wingnut			
13.	530052287	Line Limiter			
14.	530015966	Screw – Line Limiter			
15.	530015820	Bolt			
16.	545006023	Kit – Shield Assy (Incl. 13,14,15,17,18)			
					Not Shown
					Operator Manual
			✓	545123509	Scan
			✓	545123512	Euro
			✓	545123511	Euro III
			✓	545123510	Euro IV
			✓	545123508	Turkish
				530150303	Decal – Shaft Warning

✓ = NEW PART NUMBER FOR THIS IPL      ★ = REFER TO THE SERVICE REFERENCE INDICATED FOR MORE INFORMATION. (LOCATED AT END OF IPL)

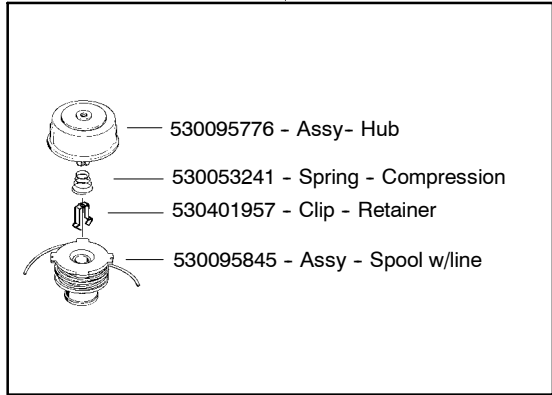


PARTS LIST NO. <b>530165568</b>		 <b>PARTS LIST</b>	MODEL(s) <b>XLT250 &amp; XLT250+</b>
DATE <b>1/03/07</b>	Replaces 530165568 - 9/26/06		<b>Note:</b> Illustration may differ from actual model due to design changes

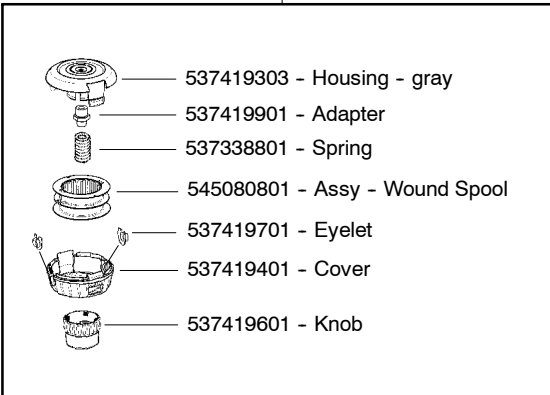
**★★★★ TYPE 4 Service Note: ★★★★★**

Some units may have been built with either the TNG VI or TNG VII cutting heads.  
Please identify the cutting head on your unit and order parts accordingly.

530095846 - Assy - TNG VI Cutting Head



537419205 - Assy - TNG VII Cutting Head



✓ = NEW PART NUMBER FOR THIS IPL      ★ = REFER TO THE SERVICE REFERENCE INDICATED FOR MORE INFORMATION. (LOCATED AT END OF IPL)  
● = THESE PARTS ARE ILLUSTRATED FOR CLARITY. ORDER COMPLETE ASSEMBLY.