

FIGURE 1

| | | | | | | | | | | | | | | | | |
|------|----------|-------|---|------|-----------|-------|---|------|----------|---------|------|----------|---------|------|----------|---------|
| 1 | 235803 | M5x25 | 2 | 20 | 227568 | M4x20 | 4 | 48 | • 300294 | 1 | 68 | 236322 | 1 | C104 | 227631 | 1 |
| 2 | 227024 | | 1 | 21 | 235248 | | 2 | 49 | 241624 | 1 | 71 | 241607 | 1 | 105 | 241748 | 1 |
| B 3 | 227023 | | 1 | 23 | 228956 | M4x10 | 2 | 50 | 241784 | 1 | C 72 | 241725 | 1 | 106 | 235804 | M5x30 4 |
| 4 | 235808 | M5x50 | 2 | 25 | 228956 | M4x10 | 1 | 51 | 236381 | M5x10 1 | 73 | • 235803 | M5x25 1 | C107 | 241596 | 1 |
| 5 | 248170 | | 1 | 26 | 235612 | | 4 | 52 | 224165 | 1 | 74 | • 229524 | 1 | C108 | 241596 | 1 |
| 6 | • 222220 | | 1 | 27 | 241618 | | 1 | A 53 | 92879 | 1 | 75 | • 235248 | 1 | C109 | 241613 | 1 |
| 7 | • 235822 | | 1 | 28 | 241623 | | 1 | C 54 | 302000 | 1 | 76 | • 228260 | 1 | B110 | • 229717 | 1 |
| 8 | • 241622 | | 1 | C 30 | 301833-01 | | 1 | 55 | 323419 | 2 | 77 | 236981 | 1 | B111 | • 229743 | 1 |
| 9 | • 227022 | | 2 | 32 | 322017 | | 1 | B 56 | 241598 | 1 | 78 | 235612 | 4 | A112 | • 93720 | 1 |
| 10 | • 241602 | | 1 | 33 | 235642 | | 2 | 57 | 236933 | M6x18 2 | 94 | 241720 | 1 | 114 | 241612 | 1 |
| 11 | 229524 | | 2 | 34 | 323760 | | 1 | B 58 | 216060 | 1 | 95 | 241805 | 1 | 115 | 241611 | 1 |
| 12 | 235248 | | 2 | 36 | 228957 | M4x25 | 3 | 59 | • 215536 | 1 | C 96 | • 235742 | 1 | 116 | 235248 | 2 |
| B 13 | 236563 | | 1 | C 38 | 241614 | | 1 | 60 | • — | 2 | C 97 | 248177 | 1 | | | |
| A 14 | • 236564 | | 1 | B 42 | • 241620 | | 1 | A 61 | • 223770 | 2 | B 98 | • 240002 | 1 | | | |
| C 15 | FIGURE 4 | | | A 43 | • 241746 | | 1 | 62 | 241604 | 1 | 99 | • 241735 | 1 | | | |
| A 16 | 241600 | | 1 | B 44 | • 241619 | | 1 | 63 | 241796 | 1 | 100 | • 235008 | 2 | | | |
| 17 | 235806 | M5x20 | 2 | 45 | • 235612 | | 1 | 64 | 235806 | M5x20 2 | 101 | 241597 | 2 | | | |
| C 18 | 241750 | | 1 | 46 | • 216792 | | 1 | 65 | 241606 | 1 | 102 | 241595 | 1 | | | |
| B 19 | 241599 | | 1 | 47 | • 241703 | | 1 | C 66 | 241749 | 1 | 103 | 241594 | 2 | | | |

A = high moving - alta rotazione - haute demande - große Nachfrage

B = medium moving - media rotazione - moyenne demande - mittelmäßige Nachfrage

C = slow moving - bassa rotazione - basse demande - wenige Nachfrage

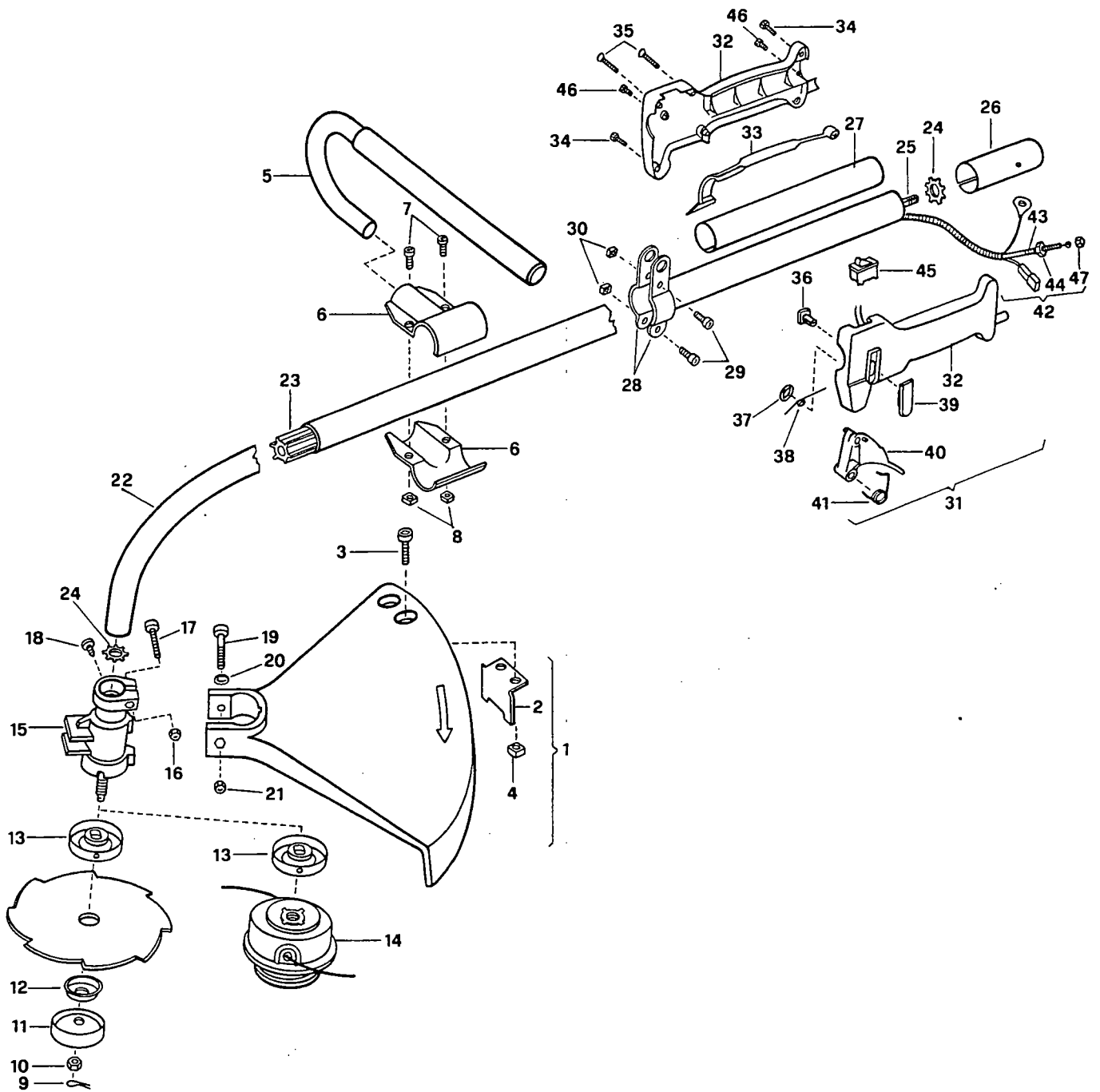


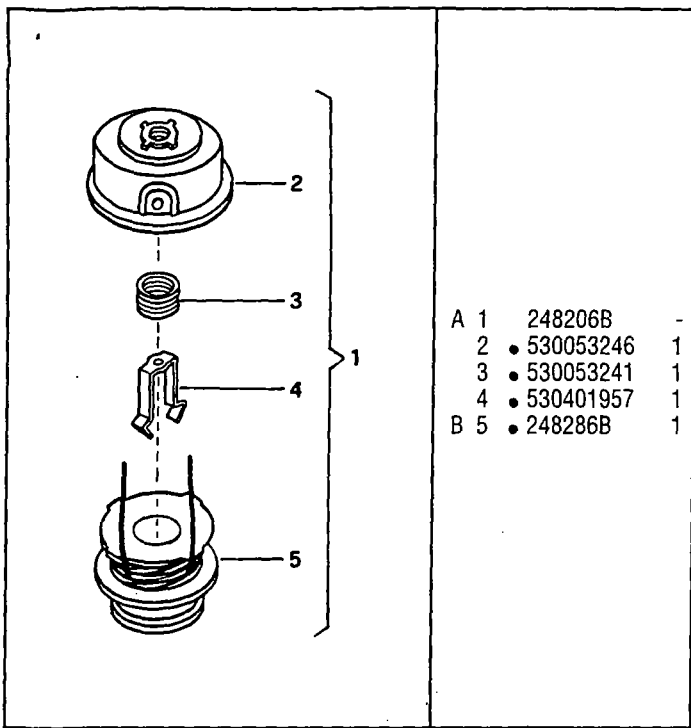
FIGURE 2

| | | | | | | | | | |
|---|----|-------------|-------|------|----------|----------|------|----------|----------|
| B | 1 | 229956 | 1 | 20 | 236936 | 1 | 39 | ● 229824 | 1 |
| | 2 | ● 224497-01 | 1 | 21 | 235912 | 1 | 40 | ● 241296 | 1 |
| | 3 | ● 235802 | M5x14 | 2 | 22 | 241728 | 1 | 41 | ● 240091 |
| | 4 | ● 236732 | 2 | 23 | ● 241730 | 1 | C 42 | ● 227067 | 1 |
| | 5 | 241736 | 1 | 24 | ● 241745 | 2 | C 43 | ● 227073 | 1 |
| | 6 | 228146 | 2 | C 25 | 241733 | 1 | 44 | ● 235912 | 1 |
| | 7 | 235911 | M6x12 | 2 | 26 | 241838 | 1 | C 45 | ● 236394 |
| | 8 | 236642 | 2 | 27 | 241727 | 1 | 46 | 236981 | 2 |
| A | 9 | 236728 | 1 | 28 | 228152 | 2 | 47 | 235912 | 1 |
| A | 10 | 241739 | 1 | 29 | 235911 | M6x12 | | | |
| A | 11 | 236596 | 1 | 30 | 236642 | 2 | | | |
| A | 12 | 236621 | 1 | 31 | 227280 | 1 | | | |
| A | 13 | 241734 | 1 | 32 | ● 246955 | 1 | | | |
| A | 14 | FIGURE 3 | | 33 | ● 229819 | 1 | | | |
| | 15 | 241740 | 1 | 34 | ● 240618 | 2 | | | |
| | 16 | 235912 | 1 | 35 | ● 240833 | 4 | | | |
| | 17 | 235921 | M6x30 | 1 | 36 | ● 229823 | 1 | | |
| | 18 | 228160 | 1 | 37 | ● 227065 | 1 | | | |
| | 19 | 228320 | M6x45 | 1 | 38 | ● 229973 | 1 | | |

A = high moving - alta rotazione - haute demande - große Nachfrage

B = medium moving - media rotazione - moyenne demande - mittelmäßige Nachfrage

C = slow moving - bassa rotazione - basse demande - wenige Nachfrage



| | | | |
|---|---|-------------|---|
| A | 1 | 248206B | - |
| | 2 | • 530053246 | 1 |
| | 3 | • 530053241 | 1 |
| | 4 | • 530401957 | 1 |
| B | 5 | • 248286B | 1 |

FIGURE 3

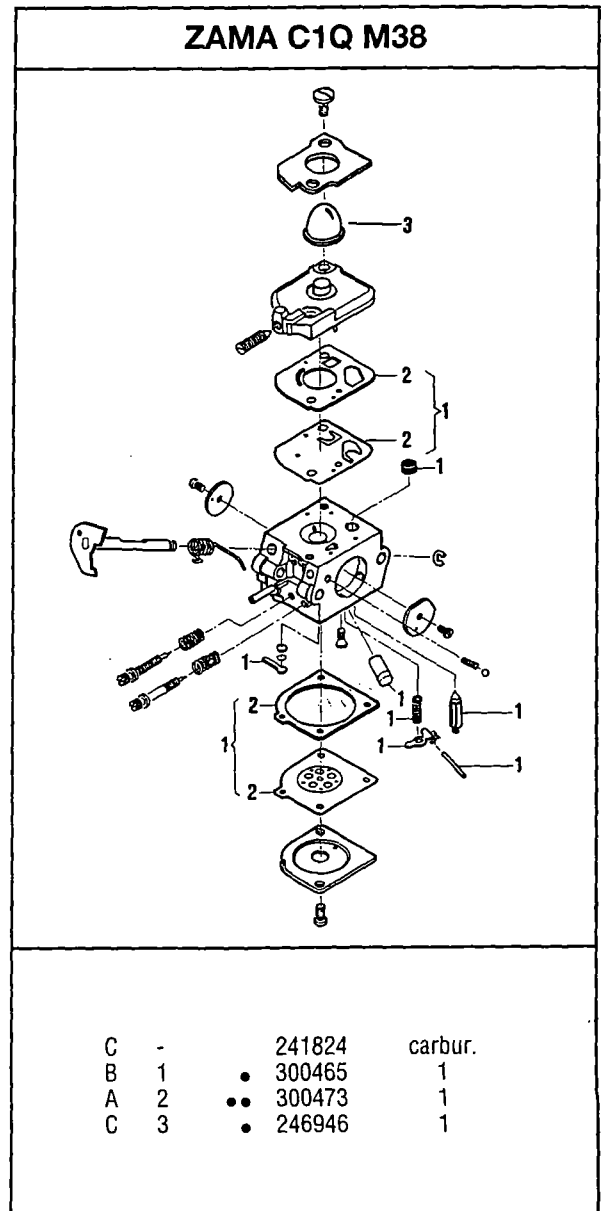
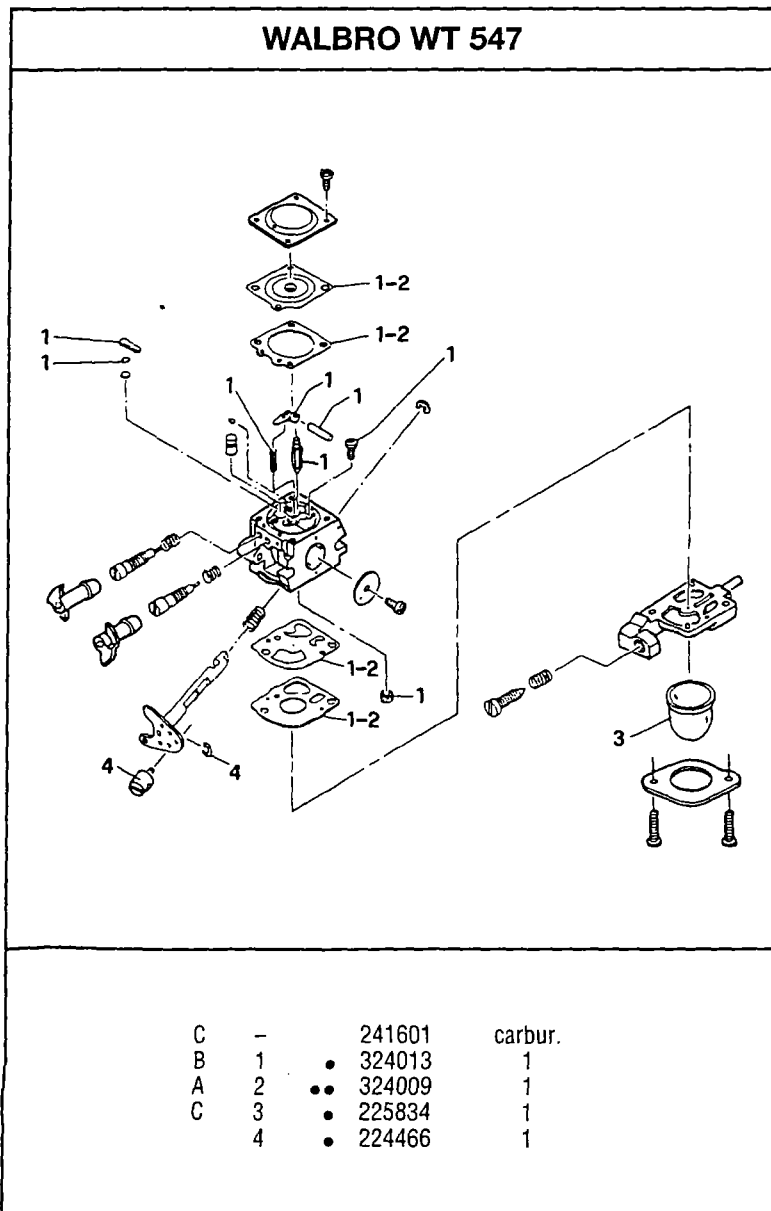


FIGURE 4

A = high moving - alta rotazione - haute demande - große Nachfrage
 B = medium moving - media rotazione - moyenne demande - mittelmäßige Nachfrage
 C = slow moving - bassa rotazione - basse demande - wenige Nachfrage