

McCULLOCH[®]

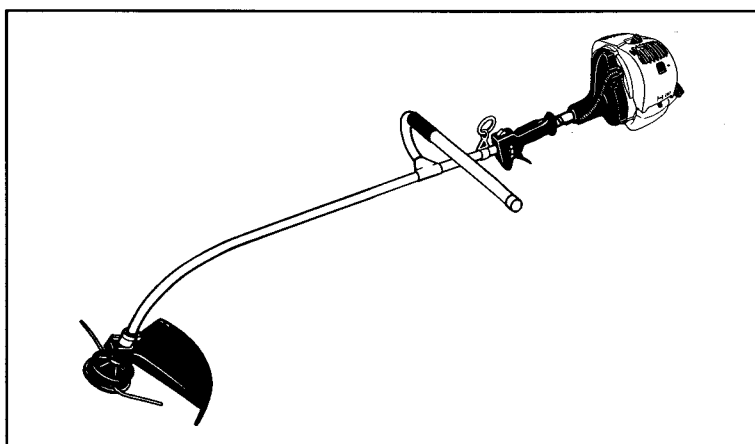
PARTNER

ILLUSTRATED PARTS LIST

CABRIO 246 PARTNER B246

SERIAL NUMBER PREFIX 01

CE



January 2001

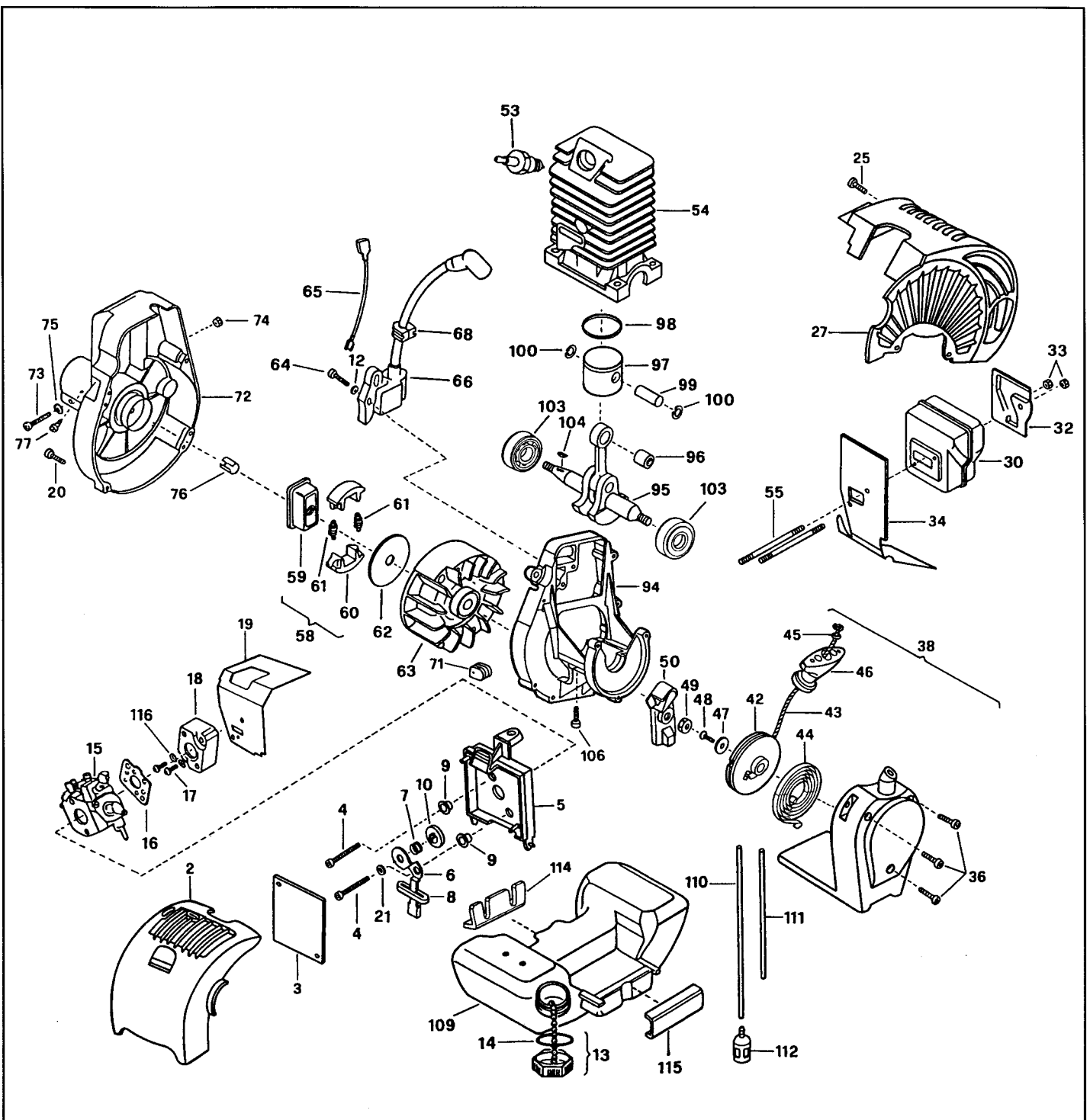


FIGURE 1

2	242019 yellow/gallo/pane/gelb	1	C 18	241750	1	45 ●	235612	1	65	241606	1	100 ●	235008	2
B 3	242035	1	B 19	242034	1	46 ●	241778	1	C 66	241749	1	C 103	242030	2
4	235808 M5x50	2	20	227568 M4x20	4	47 ●	241703	1	68	236322	1	C 104	227631	1
5	248485	1	21	235248	1	48 ●	240862	1	71	241607	1	106	235803 M5x25	4
6 ●	241769	1	25	241963 M4x22	2	49	241624	1	C 72	241725	1	C 109	242040	1
7 ●	235822	1	27	242079 yellow/gallo/pane/gelb	1	50	241784	1	73 ●	235803	1	B 110 ●	229717	1
8 ●	241622	1	242058 gold/oro/or/gold	1	A 53	92879	1	74 ●	229524	1	B 111 ●	229743	1	
9 ●	227022	2	C 30	242131	1	C 54	241800	1	75 ●	235248	1	A 112	93720	1
10 ●	241602	1	32	323760	1	55	242037	2	76 ●	228260	1	114	242038	1
12	235248	2	33	235642	2	B 58	241793	1	77	236981	1	115	242039	1
B 13	236563	1	B 34	242036	1	59 ●	241789	1	94	242029	1	116	235248	2
A 14 ●	236564	1	C 36	241963 M4x22	3	60 ●	241743	2	95	242003	1			
C 15	FIGURE 4		C 38	242041	1	A 61 ●	241794	2	C 96 ●	235742	1			
A 16	241600	1	B 42 ●	241620	1	62	241604	1	C 97	248177	1			
17	235806 M5x20	2	A 43 ●	241746	1	63	241796	1	B 98 ●	240002	1			
			B 44 ●	241619	1	64	235806 M5x20	2	99 ●	241735	1			

A = high moving - alta rotazione - haute demande - große Nachfrage

B = medium moving - media rotazione - moyenne demande - mittelmäßige Nachfrage

C = slow moving - bassa rotazione - basse demande - wenige Nachfrage

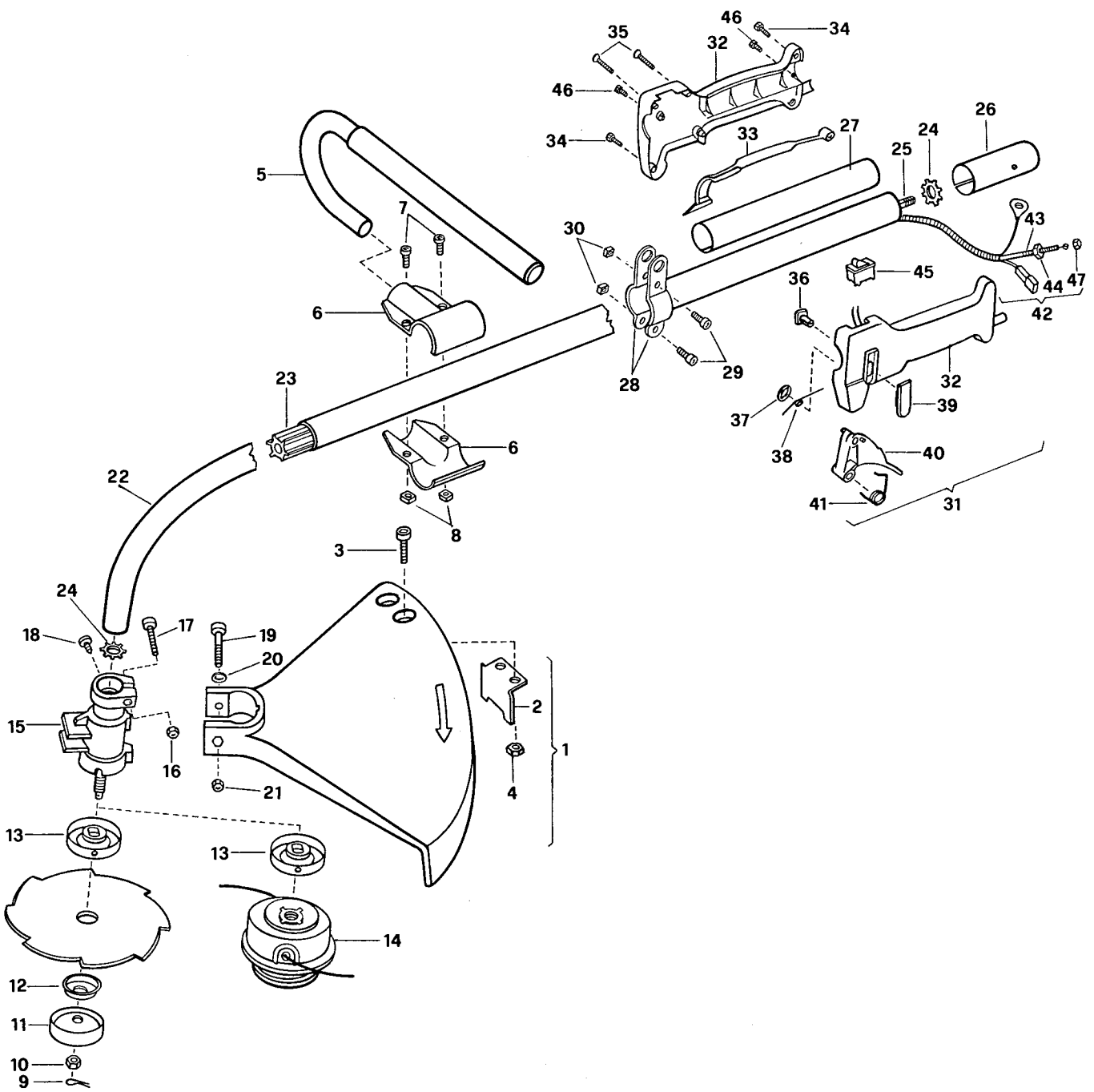
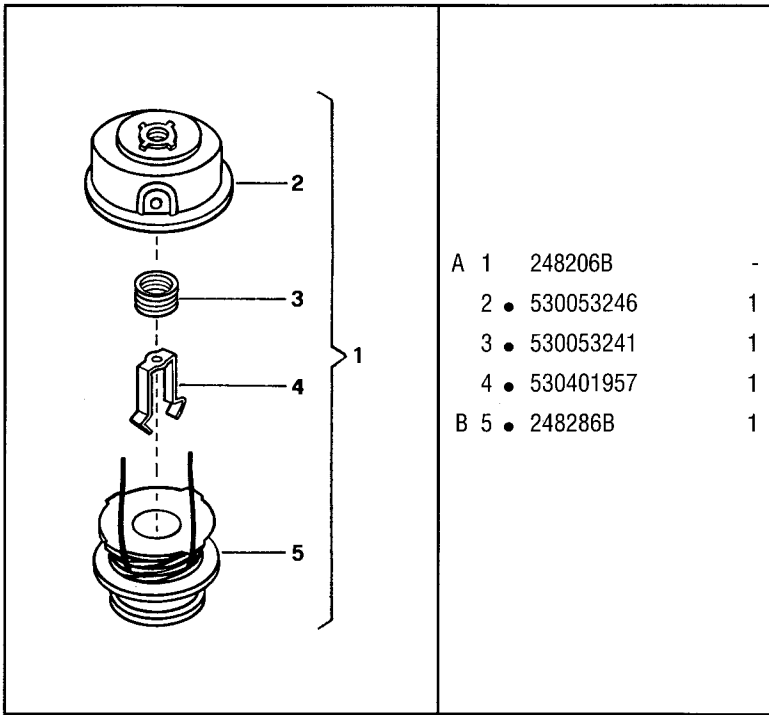


FIGURE 2

B	1	229956	1	17	235921	M6x30	1	33	●●	229819	1	
	2	● 241973	1	18	228160		1	34	●	240618	2	
	3	● 235802	M5x14	19	228161	M6x50	1	35	●	240833	4	
	4	● 235642	2	20	236936		1	36	●	229823	1	
	5	241736	1	21	235912		1	37	●	227065	1	
	6	228146	2	22	241728		1	38	●	229973	1	
	7	235811	M6x12	23	● 241730		1	39	●	229824	1	
	8	235542	2	24	● 241745		2	40	●	241296	1	
A	9	236728	1	C	25	241733	1	41	●	240091	1	
A	10	241739	1	26	241838		1	C	42	●	227067	1
A	11	236596	1	27	241727		1	C	43	●●	227073	1
A	12	236621	1	28	248222		2	44	●●	235912	1	
A	13	241734	1	29	● 235911	M6x12	2	C	45	●●	236394	1
A	14	FIGURE 3		30	● 236642		2	46		236981	2	
	15	241740	1	31	227280		1	47		235912	1	
	16	235912	1	32	● 246955		1					



A	1	248206B	-
	2	● 530053246	1
	3	● 530053241	1
	4	● 530401957	1
B	5	● 248286B	1

FIGURE 3

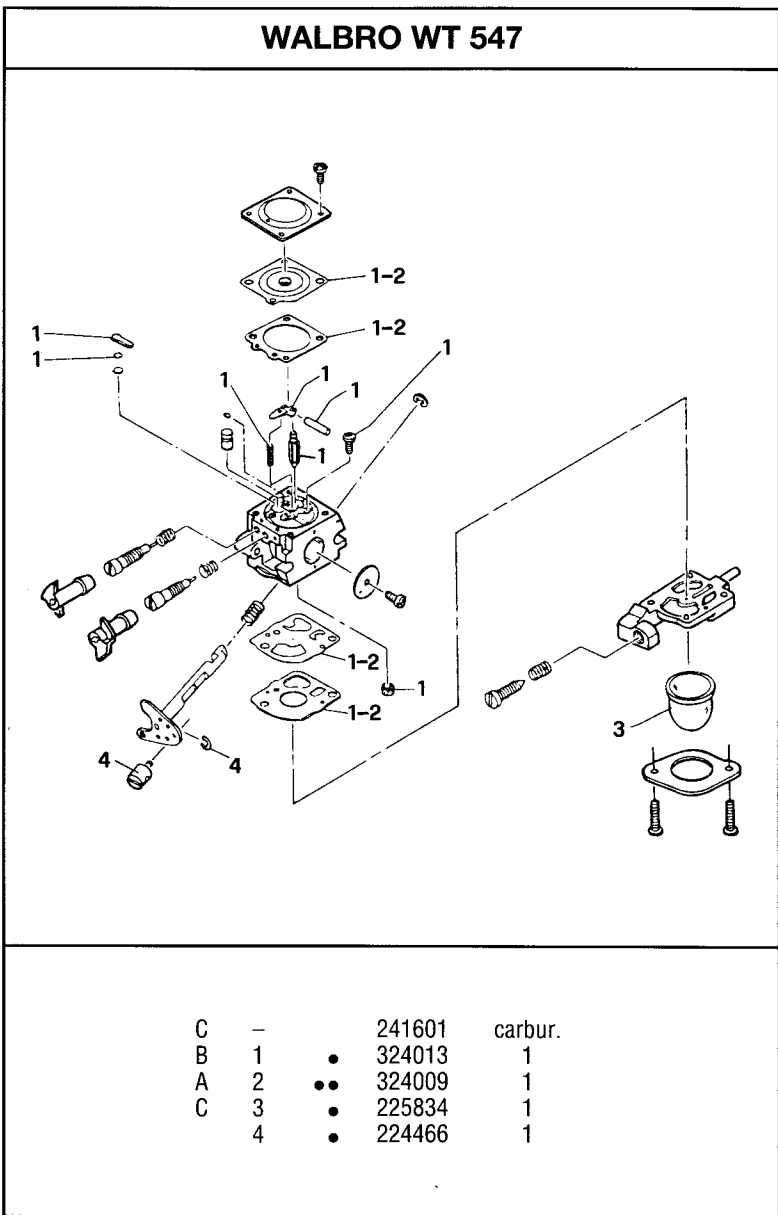


FIGURE 4

A = high moving - alta rotazione - haute demande - große Nachfrage
 B = medium moving - media rotazione - moyenne demande - mittelmäßige Nachfrage
 C = slow moving - bassa rotazione - basse demande - wenige Nachfrage

