

# **McCULLOCH**®

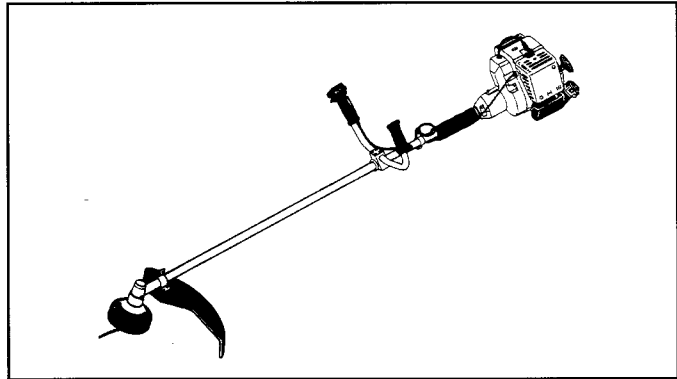
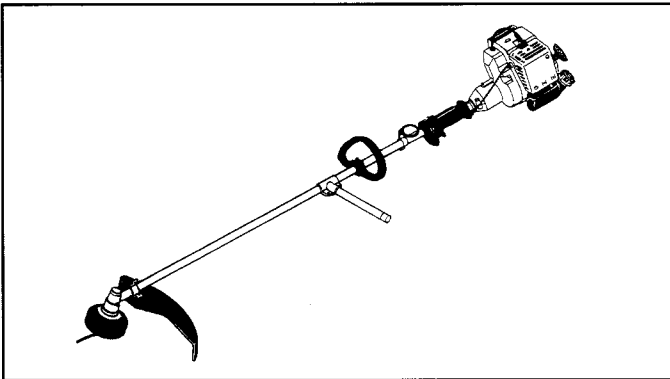
## **~~PARTNER~~ Poulan**®

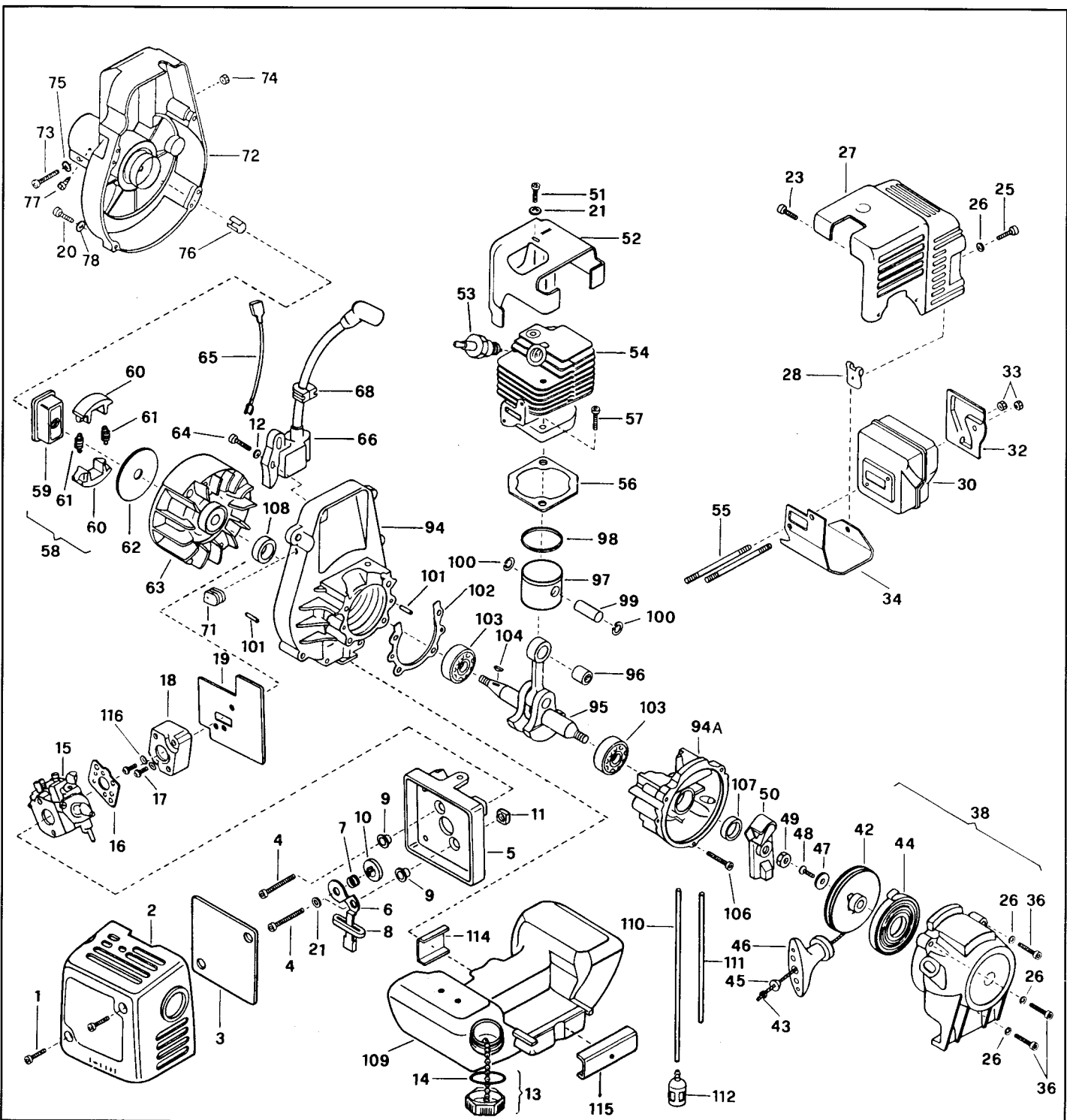
### ILLUSTRATED PARTS LIST

**CABRIO 250 - 260**  
**EUROMAC D250**  
**PARTNER B250 - B260**  
**POULAN SBT25**

SERIAL NUMBER PREFIX 01 - 02

**CE**

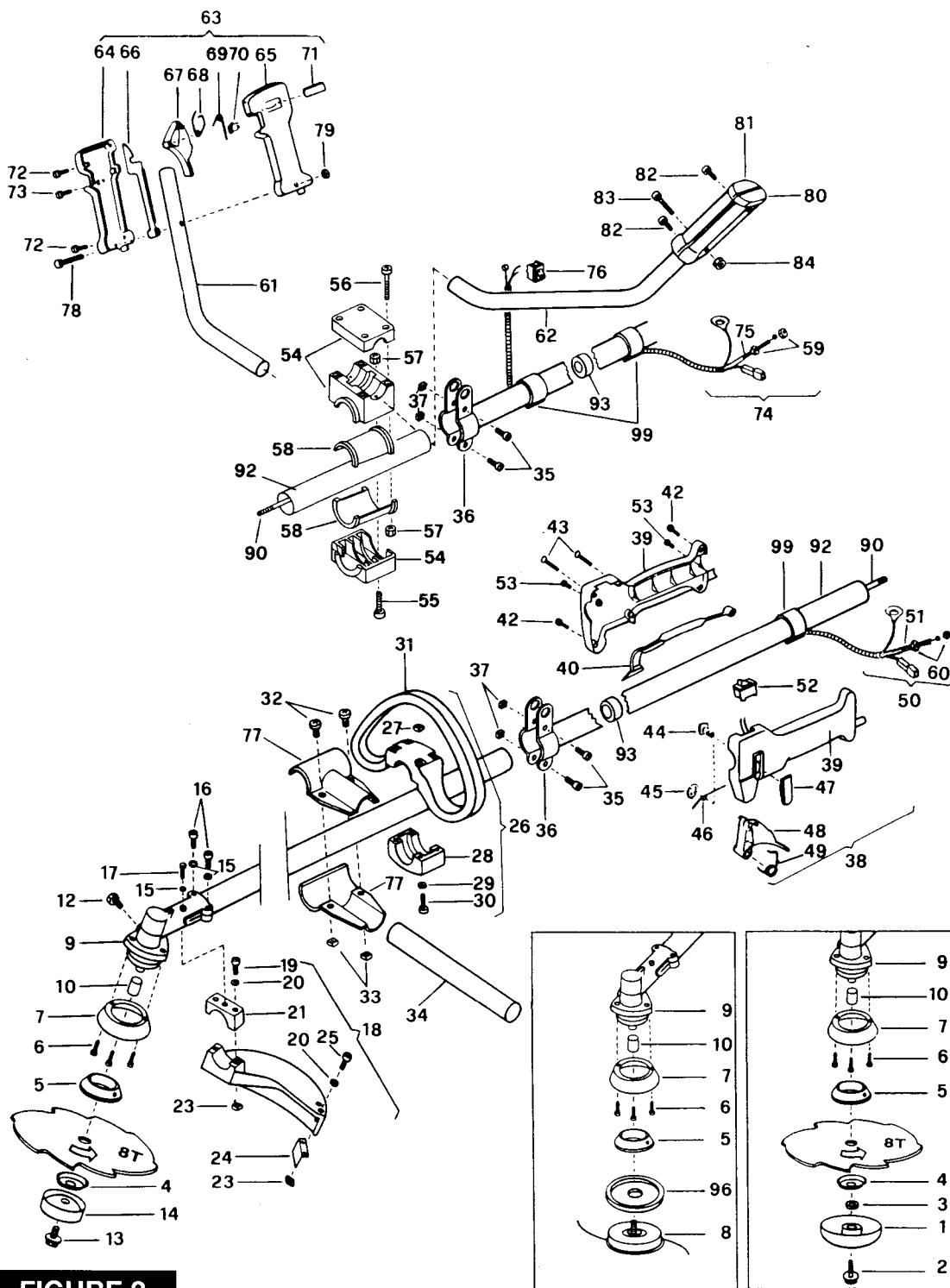




**FIGURE 1**

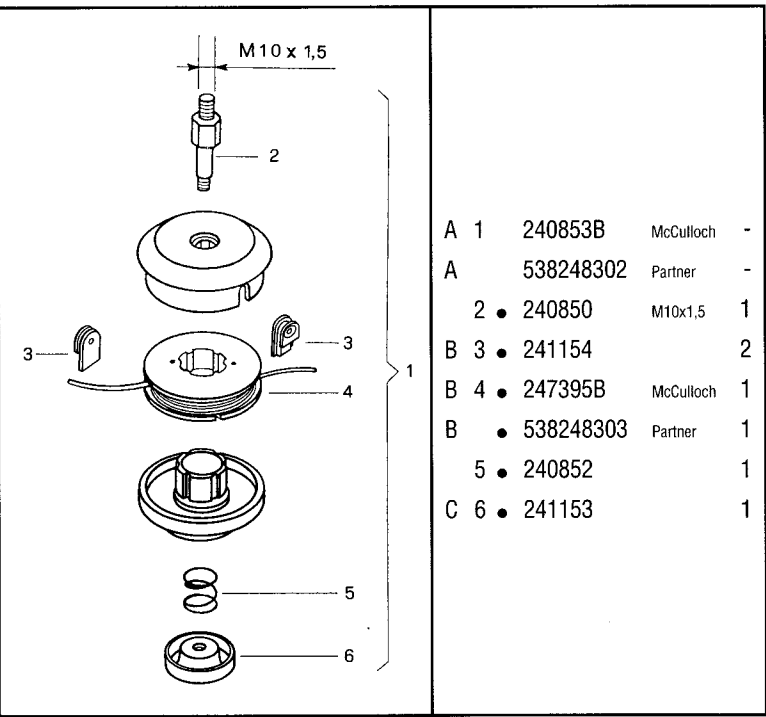
1	235803 M5x25	2	227024 yellow/gallo/gaune/gelb	1	C 18	241750	1	A 43	● 241746	1	63	222372 Prefix 01	1	B 98	● 240002	1	
2	227024	1	241663 grey/grigio/gris/grau	1	B 19	241599	1	B 44	● 241619	1	241796 Prefix 02	1	99	● 241735	1		
3	227023	1	241828 gold/oro/oro/gold	1	20	227568 M4x20	4	45	● 235612	1	235806 M5x20	2	100	● 235008	2		
4	235808 M5x50	2	241957 green/verde/vert/grün	1	21	235248	2	46	● 216792	1	241606	1	101	241597	4		
5	248170	1	23	228956 M4x10	2	25	228956 M4x10	1	47	● 241703	1	66	241749	1	102	241595	1
6	● 222220	1	26	235612	4	27	241618 yellow/gallo/gaune/gelb	1	48	● 300294	1	68	236322	1	103	241594	2
7	● 235822	1	241665 grey/grigio/gris/grau	1	28	241623	1	49	241624	1	71	241607	1	C 104	102164 Prefix 01	1	
8	● 241622	1	241827 gold/oro/oro/gold	1	C 30	301833-01	1	50	241784	1	72	241725	1	C	227631 Prefix 02	1	
9	● 227022	2	241696 green/verde/vert/grün	1	32	322017	1	51	236381 M5x10	1	73	● 235803 M5x25	1	106	235804 M5x30	4	
10	● 241602	1	28	241623	1	33	322017	1	52	224165	1	74	● 229524	1	C 107	241596	1
11	229524	2	C 30	301833-01	1	34	323760	1	C 54	302000	1	75	● 235248	1	C 108	241596	1
12	235248	2	36	228957 M4x25	3	35	235642	2	55	241804	2	76	● 228260	1	C 109	241613	1
B 13	235653	1	C 38	241614	1	36	228957 M4x25	3	57	236933 M6x18	2	77	236981	1	B 110	● 229717	1
A 14	● 236564	1	B 42	● 241620	1	38	241614	1	B 56	241598	1	78	235612	4	B 111	● 229743	1
C 15	FIGURE 4					39	241614	1	58	241793	1	94	241720	1	A 112	● 93720	1
A 16	241600	1				40	241614	1	59	● 241789	1	94A	241748	1	114	241612	1
A 17	235806 M5x20	2				41	241614	1	60	● 241743	2	95	241584 Prefix 01	1	115	241611	1
						42	241614	1	61	● 241794	2	110	241805 Prefix 02	1	116	235248	2
						43	241614	1	62	241604	1	C 96	● 235742	1			
						44	241614	1				C 97	248177	1			
						45	241614	1									
						46	241614	1									
						47	241614	1									
						48	241614	1									
						49	241614	1									
						50	241614	1									
						51	241614	1									
						52	241614	1									
						53	241614	1									
						54	241614	1									
						55	241614	2									
						56	241614	1									
						57	241614	1									
						58	241614	1									
						59	241614	1									
						60	241614	2									
						61	241614	2									
						62	241614	1									
						63	241614	1									
						64	241614	2									
						65	241614	1									
						66	241614	1									
						67	241614	1									
						68	241614	1									
						69	241614	1									
						70	241614	1									
						71	241614	1									
						72	241614	1									
						73	241614	1									
						74	241614	1									
						75	241614	1									
						76	241614	1									
						77	241614	1									
						78	241614	4									
						79	241614	1									
						80	241614	1									
						81	241614	1									
						82	241614	1									
						83	241614	1									
						84	241614	1									
						85	241614	1									
						86	241614	1									
						87	241614	1									
						88	241614	1									
						89	241614	1									
						90	241614	1									
						91	241614	1									
						92	241614	1									
						93	241614	1									
						94	241614	1									
						94A	241614	1									
						95	241614	1									
						96	241614	1									
						97	241614	1									
						98	241614	1									
						99	241614	1									
						100	241614	1									
						101	241614	4									
						102	241614	1									
						103	241614	2									
						104	241614	1									
						105	241614	1									
						106	241614	4									
						107	241614	1									
						108	241614	1									
						109	241614	1									
						110	241614	1									
						111	241614	1									
						112	241614	1									
						113	241614	1									
						114	241614	1									
						115	241614	1									
						116	241614	2									

A = high moving - alta rotazione - haute demande - große Nachfrage    B = medium moving - media rotazione - moyenne demande - mittelmäßige Nachfrage    C = slow moving - bassa rotazione - basse demande - wenige Nachfrage



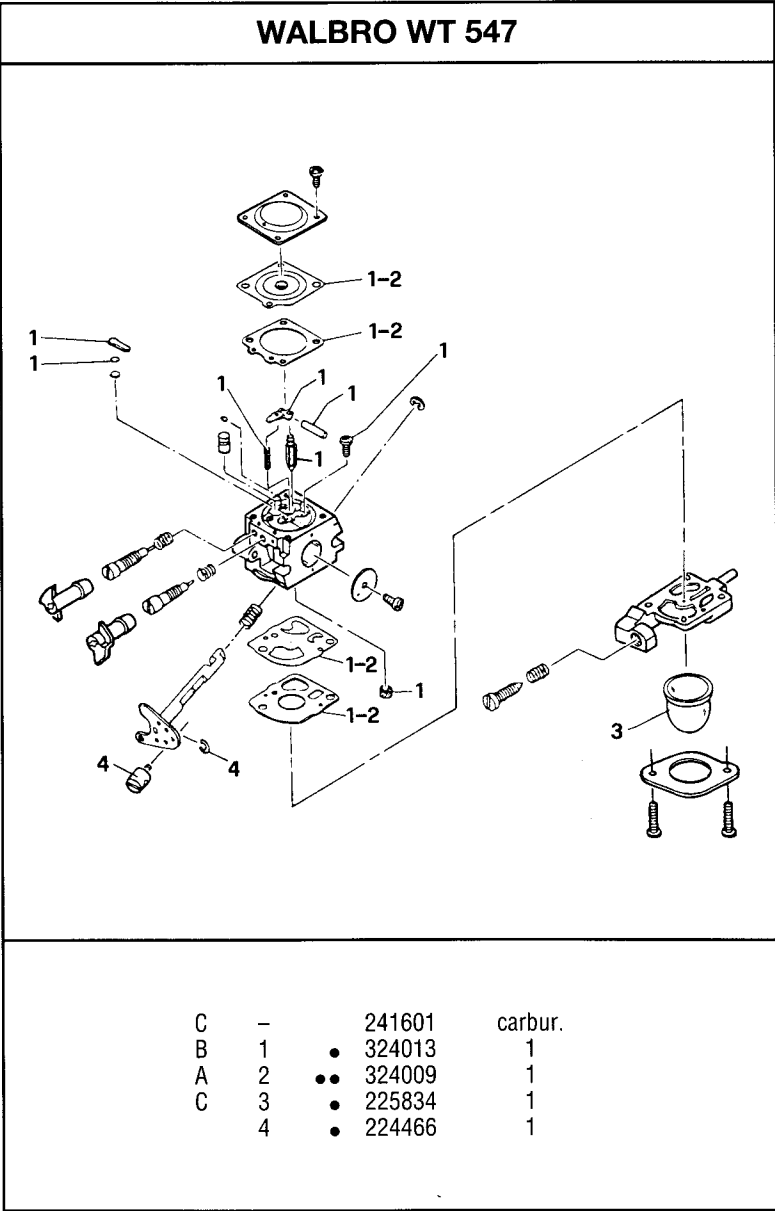
**FIGURE 2**

A 1	240809	1	20	● 235248	4	39	● 246955	1	58	● 241684	2	C 76	● 236394	1
A 2	● 240806	1	21	● 240931	4	40	● 229819	1	59	235912	2	77	228146	2
3	● 240807	1	23	● 236732	4	42	● 240618	2	60	235912	2	78	235804	M5x30 1
A 4	229834	1	24	● 224497-01	1	43	● 240833	4	61	229831	1	79	235216	1
A 5	229833	1	25	● 235802	M5x14 2	44	● 229823	1	62	229832	1	80	229984	1
6	240688	M5x14 3	26	227068	1	45	● 227065	1	63	227089	1	81	229985	1
B 7	240767	1	27	● 236642	4	46	● 229973	1	64	● 241293	1	82	240833	2
A 8	FIGURE 3		28	● 227046	1	47	● 229824	1	65	● 241294	1	83	235212	M5x35 1
9	241426	1	29	● 236936	4	48	● 241296	1	66	● 229820	1	84	235216	1
10	● 247272	1	30	● 228320	M6x45 4	49	● 240091	1	67	● 241295	1	90	240486	1
12	● 240151	M8x10 1	31	● 227045	1	C 50	● 227067	1	68	● 240091	1	92	241534	1
A 13	229842	M10x16 1	32	235911	M6x12 2	C 51	● 227073	1	69	● 229973	1	93	● 241536	4
A 14	236596	1	33	236642	2	C 52	● 236394	1	70	● 229823	1	A 96	241155	1
15	236529	3	34	246864	1	53	236981	2	71	● 229824	1	97	240936	1
16	235804	M5x30 2	35	235911	M6x12 2	54	241685	1	72	● 240618	2	99	229850	2
17	236381	M5x10 1	36	228152	2	55	● 235921	M6x30 2	73	● 240833	3			
B 18	247208	1	37	236642	2	56	● 236558	M6x40 4	C 74	● 227082	1			
19	● 235806	M5x20 2	38	227280	1	57	● 235912	6	C 75	● 227054	1			



A	1	240853B	McCulloch	-
A		538248302	Partner	-
	2	• 240850	M10x1,5	1
B	3	• 241154		2
B	4	• 247395B	McCulloch	1
B		• 538248303	Partner	1
	5	• 240852		1
C	6	• 241153		1

**FIGURE 3**



**FIGURE 4**

A = high moving - alta rotazione - haute demande - große Nachfrage  
 B = medium moving - media rotazione - moyenne demande - mittelmäßige Nachfrage  
 C = slow moving - bassa rotazione - basse demande - wenige Nachfrage

