

FIGURE 1

C	1	227274	M5x60	2	23	228957	M4x25	1	48	● 300294	1	65	241606	1	102	241595	1	
	2	241677		1	24	235431		1	49	241624	1	C 66	302138	1	103	241594	2	
	3	241705		2	25	228908	M4x14	1	50	225037	1	68	● 236322	1	C 104	102164	1	
	4	235819		1	26	235612		3	51	236381	M5x10	69	● 235433	1	106	235804	M5x30	4
	5	235820		1	27	229103		1	52	224165	1	70	● 235922	1	C 107	241596	1	
	6	235822		1	C 30	301833-01		1	A 53	92879	1	71	241607	1	C 108	241596	1	
	7	241602		1	32	322231		1	C 54	302000	1	75	228957	M4x25	2	C 109	241106	1
B	8	241640		1	33	235642		2	55	323419	2	76	235431		1	B 110	● 229132	1
	9	241704		1	C 34	323829		1	B 56	241598	1	77	228884		1	B 111	● 227139	1
	12	235048		2	36	228957	M4x25	3	57	236933	M6x18	94	241585		1	A 112	● 93720	1
C	15	FIGURE 4			C 38	241614		1	B 58	217554	1	95	241584		1	C 113	● 235675	1
A	16	241600		1	B 42	● 241620		1	59	● 215536	1	C 96	● 235742		1	B 114	● 223508	1
	17	240802	M5x20	2	A 43	● 235308		1	60	● 215538	2	C 97	248177		1	115	241611	1
C	18	323323-01		1	B 44	● 241619		1	A 61	● 223770	2	B 98	● 240002		1	116	241612	1
B	19	241643		1	45	● 235612		1	62	241604	1	99	● 235007		1			
	21	235248		1	46	● 216792		1	63	222372	1	100	● 235008		2			
	22	235612		2	47	● 241703		1	64	227568	M4x20	101	241597		4			

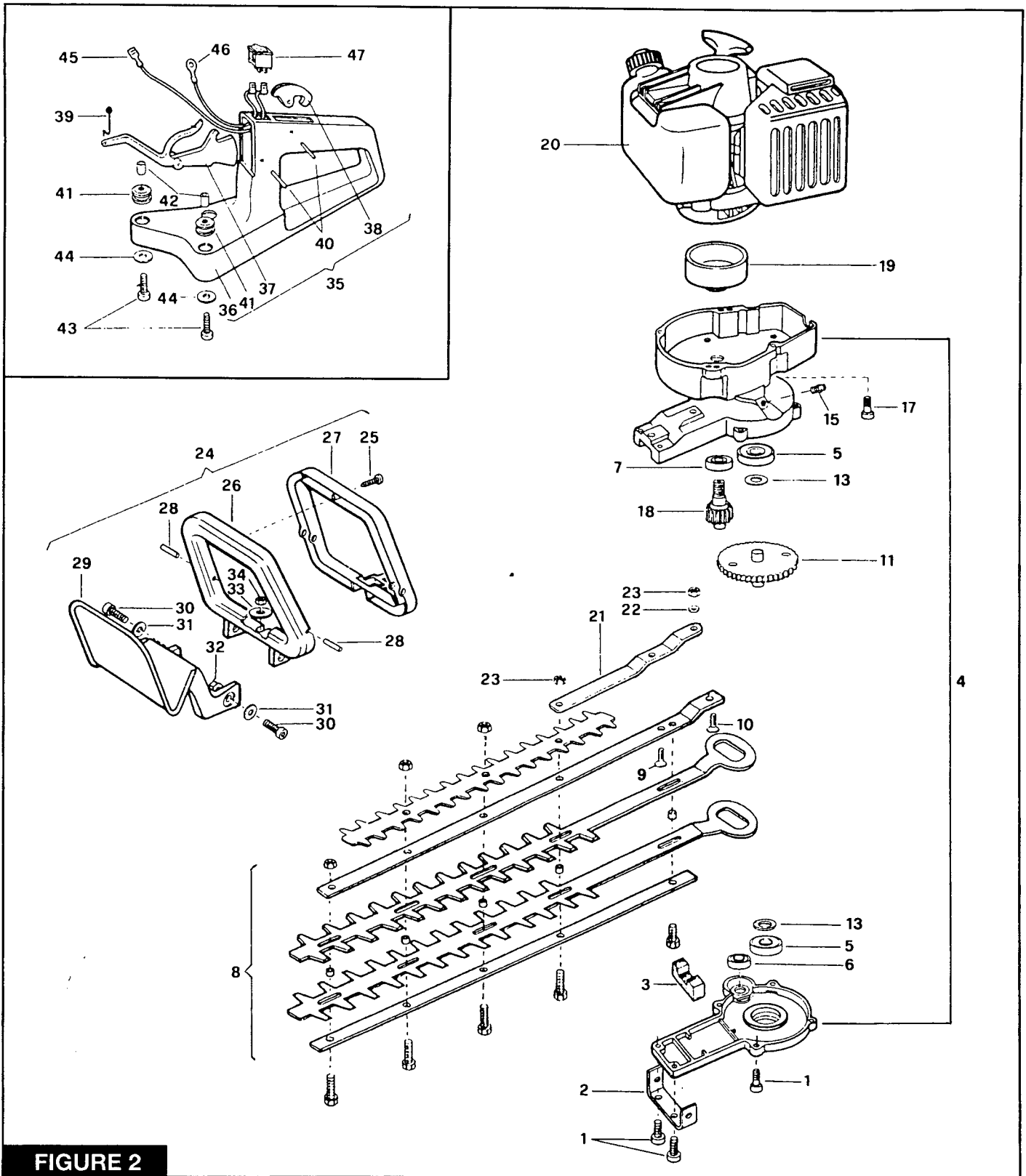
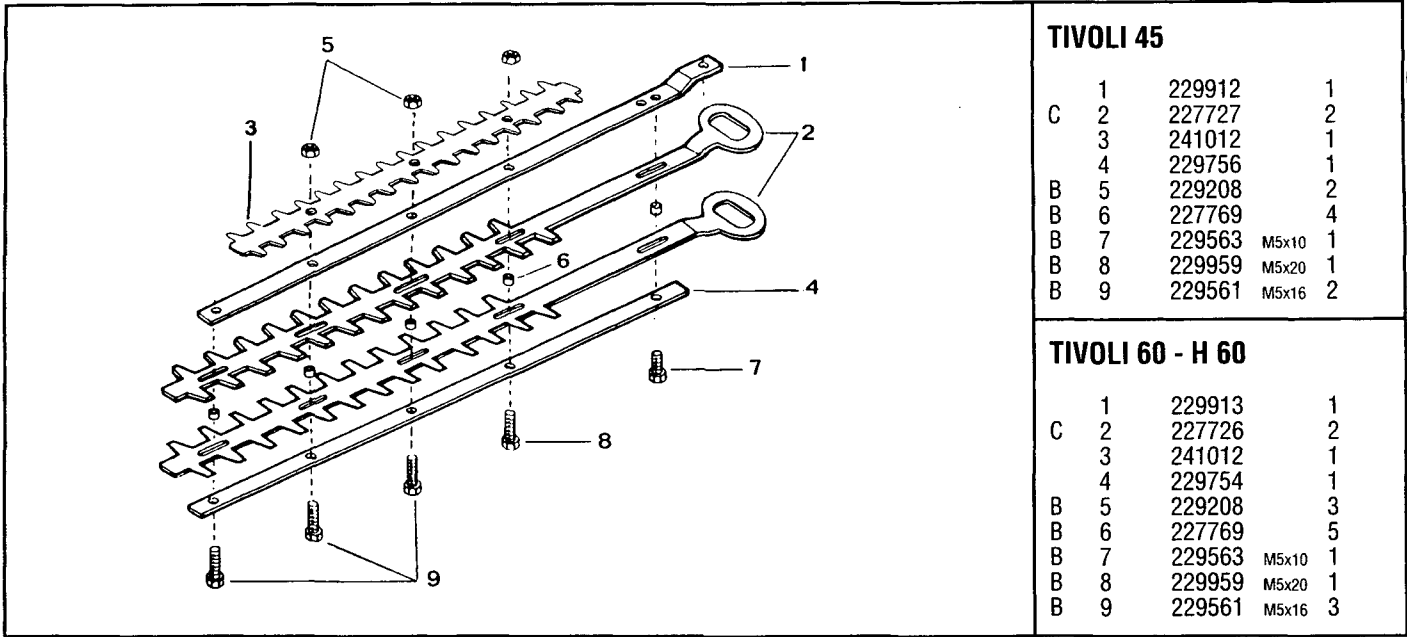


FIGURE 2

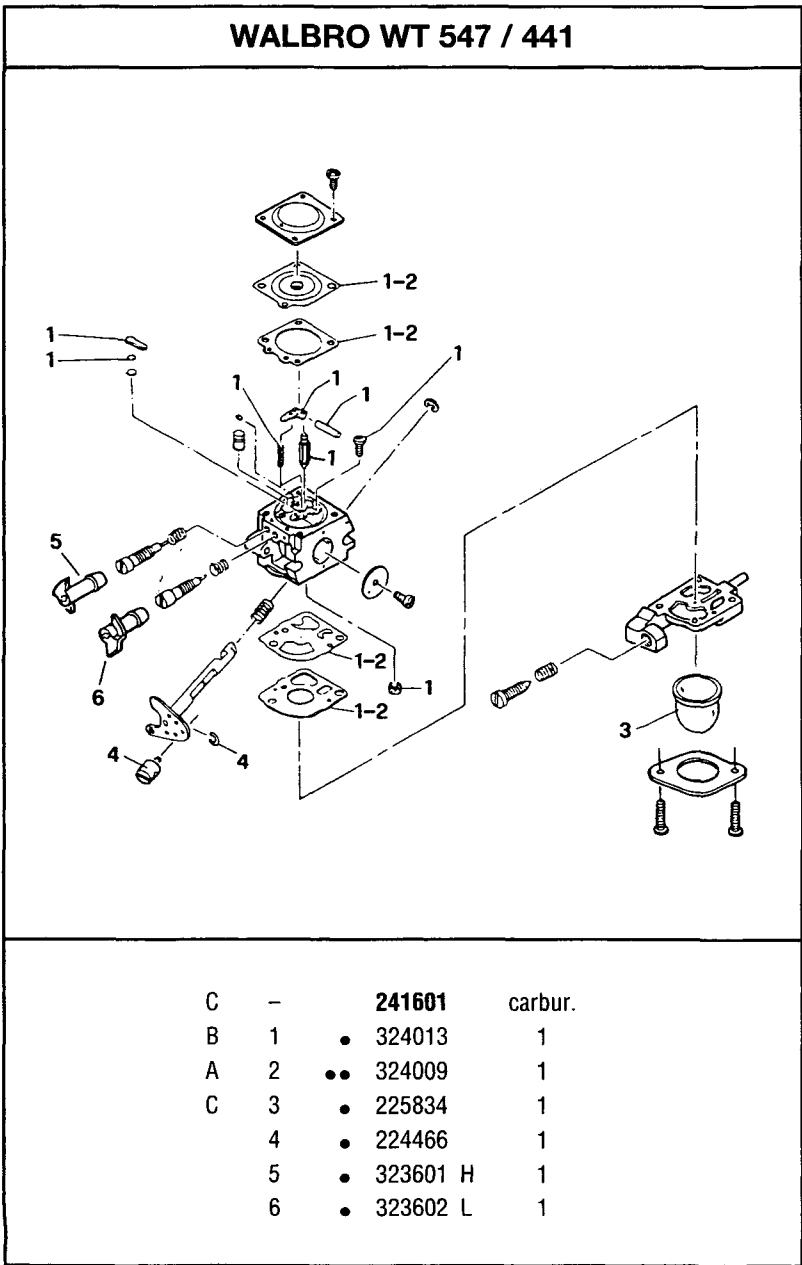
1	229077	M5x18	6	C 19	301115-03	1	34	229208	1
2	229910		1	20	FIGURE 1		35	225628	1
C 3	229970		1	21	229911	1	36	● 229888	1
4	248113		1	22	236529	1	C 37	● 229891	1
5	● 228958		2	23	229208	2	38	● 229892	1
6	● 235914		1	24	225627	1	39	● 241491	1
7	● 235897		1	25	● 227251	1	40	● 229920	2
8	FIGURE 3			26	● 229761	1	41	● 235105	3
9	228924	M5x20	1	27	● 229762	1	42	235106	3
10	229972	M5x25	1	28	● 229772	2	43	235803	M5x25 3
C 11	229919		1	29	229760	1	44	235107	3
13	235164		2	30	235214	M6x20 2	45	229976	1
15	228861		1	31	236936	2	46	229977	1
17	235801	M4x16	4	32	235912	2	C 47	228277	1
18	229914		1	33	235107	1			



TIVOLI 45			
	1	229912	1
C	2	227727	2
	3	241012	1
	4	229756	1
B	5	229208	2
B	6	227769	4
B	7	229563	M5x10 1
B	8	229959	M5x20 1
B	9	229561	M5x16 2

TIVOLI 60 - H 60			
	1	229913	1
C	2	227726	2
	3	241012	1
	4	229754	1
B	5	229208	3
B	6	227769	5
B	7	229563	M5x10 1
B	8	229959	M5x20 1
B	9	229561	M5x16 3

FIGURE 3



C	-	241601	carbur.
B	1	• 324013	1
A	2	•• 324009	1
C	3	• 225834	1
	4	• 224466	1
	5	• 323601 H	1
	6	• 323602 L	1

FIGURE 4

A = high moving - alta rotazione - haute demande - große Nachfrage
 B = medium moving - media rotazione - moyenne demande - mittelmäßige Nachfrage
 C = slow moving - bassa rotazione - basse demande - wenige Nachfrage