

McCULLOCH[®]

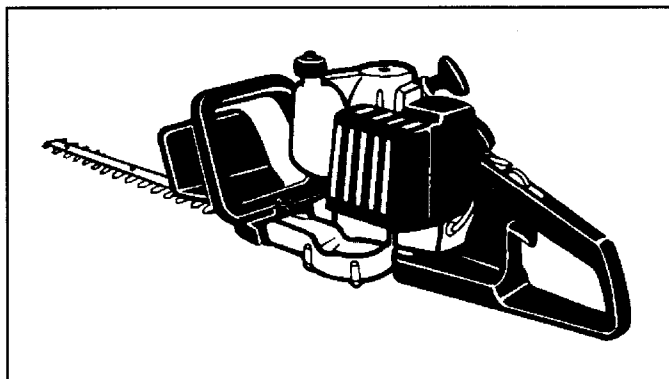
PARTNER

ILLUSTRATED PARTS LIST

TIVOLI 45-60 EUROMAC H60 PARTNER PH25

SERIAL NUMBER PREFIX 04-05

CE



March 2000

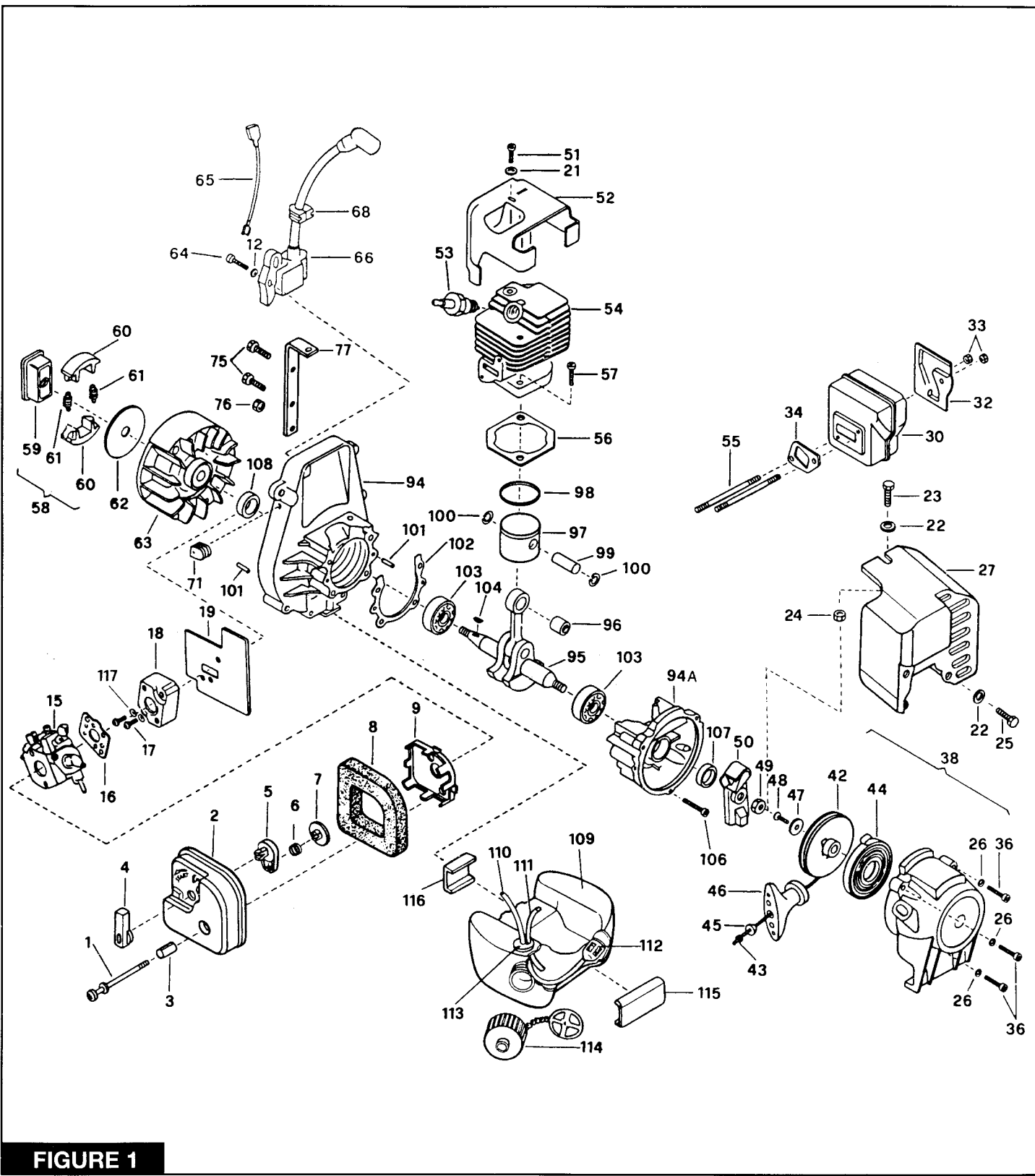


FIGURE 1

	1	227274	M5x60	2	23	228957	M4x25	1	48	● 300294	1	64	235806	M5x20	2	101	241597	4			
C	2	241677		1	24	235431		1	49	241624	1	65	241606		1	102	241595	1			
	3	241705		2	25	228908	M4x14	1	50	241784	1	C	66	241749	1	103	241594	2			
	4	235819		1	26	235612		3	51	236381	M5x10	1	68	236322	1	C 104	102164	Prefix 04	1		
	5	235820		1	27	229103		1	52	224165		1	71	241607	1	C	227631	Prefix 05	1		
	6	235822		1	C	30	301833-01	1	A	53	92879	1	75	228957	M4x25	2	106	235804	M5x30	4	
	7	241602		1	32	322231		1	C	54	302000	1	76	235431		1	C 107	241596		1	
B	8	241640		1	33	235642		2	B	55	241804	2	77	228884		1	C 108	241596		1	
	9	241704		1	C	34	323829	1	B	56	241598	1	94	241720		1	C 109	241106		1	
	12	235248		2	36	228957	M4x25	3	B	57	236933	M6x18	2	94A	241748		1	B 110	● 229132		1
C	15	FIGURE 4		1	C	38	241614	1	B	58	241792	1	95	241584	Prefix 04	1	B 111	● 227139		1	
A	16	241600		1	B	42	● 241620	1	59	● 241789		1	241805	Prefix 05	1	A 112	● 93720		1		
	17	235806	M5x20	2	A	43	● 241746	1	60	● 241790	2	1	C	96	● 235742	1	C 113	● 235675		1	
C	18	241750		1	B	44	● 241619	1	A	61	● 241794	2	C	97	248177	1	B 114	223508		1	
B	19	241643		1	45	● 235612		1	62	241604		1	B	98	● 240002	1	115	241611		1	
	21	235248		1	46	● 216792		1	63	222372	Prefix 04	1	99	● 241735		1	116	241612		1	
	22	235612		2	47	● 241703		1	64	241796	Prefix 05	1	100	● 235008		2	117	235248		2	

A = high moving - alta rotazione - haute demande - große Nachfrage

B = medium moving - media rotazione - moyenne demande - mittelmäßige Nachfrage

C = slow moving - bassa rotazione - basse demande - wenige Nachfrage

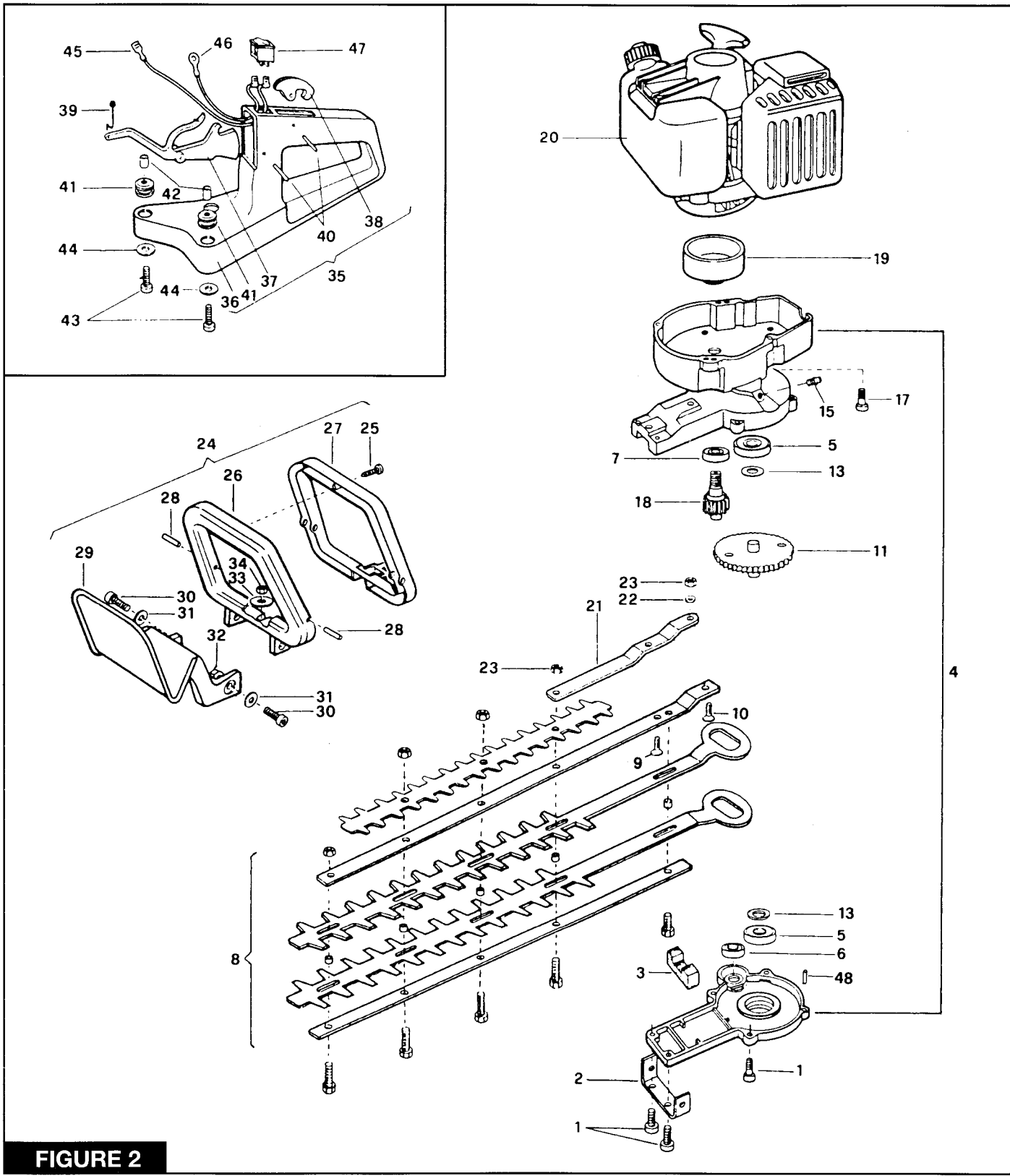
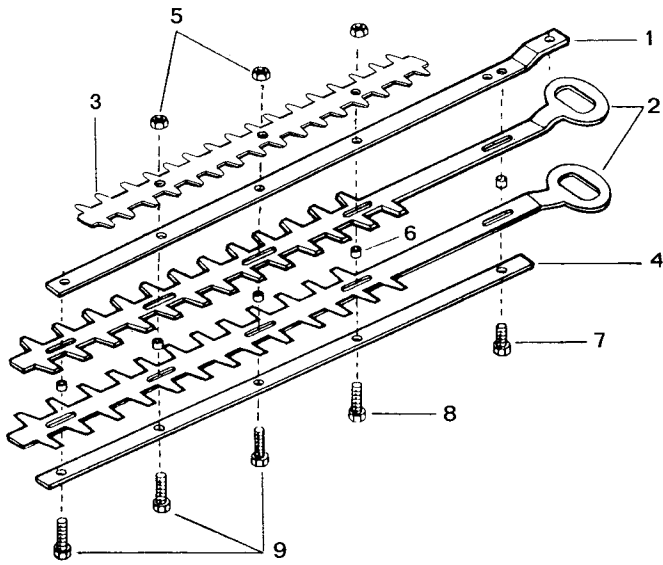


FIGURE 2

1	229077	M5x18	6	C	19	301115-03	1	34	229208	1	
2	229910		1		20	FIGURE 1		35	225628	1	
C	3	229970	1		21	229911	1	36	● 229888	1	
4	248113		1		22	236529	1	C	37	● 229891	1
5	● 228958		2		23	229208	2	38	● 229892	1	
6	● 235914		1		24	225627	1	39	● 241491	1	
7	● 235897		1		25	● 227251	1	40	● 229920	2	
8	FIGURE 3				26	● 229761	1	41	● 235105	3	
9	228924	M5x20	1		27	● 229762	1	42	235106	3	
10	229972	M5x25	1		28	● 229772	2	43	235803	M5x25	3
C	11	229919	1		29	229760	1	44	235107	3	
13	235164		2		30	235214	M6x20	2	45	229976	1
15	228861		1		31	236936	2	46	229977	1	
17	235801	M4x16	4		32	235912	2	C	47	228277	1
18	229914		1		33	235107	1	48	236365	2	



TIVOLI 45

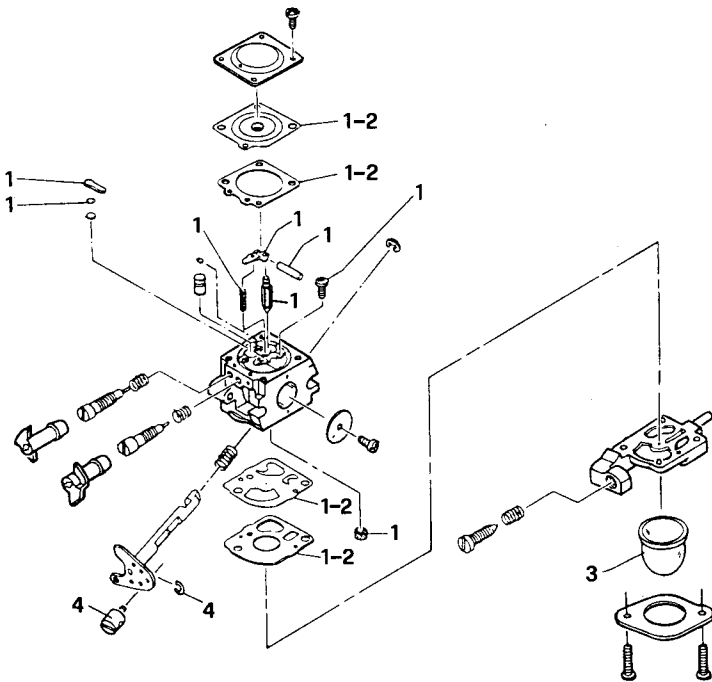
	1	229912	1
C	2	227727	2
	3	241012	1
	4	229756	1
B	5	229208	2
B	6	227769	4
B	7	229563	M5x10 1
B	8	229959	M5x20 1
B	9	229561	M5x16 2

TIVOLI 60 - H 60 - PH25

	1	229913	1
C	2	227726	2
	3	241012	1
	4	229754	1
B	5	229208	3
B	6	227769	5
B	7	229563	M5x10 1
B	8	229959	M5x20 1
B	9	229561	M5x16 3

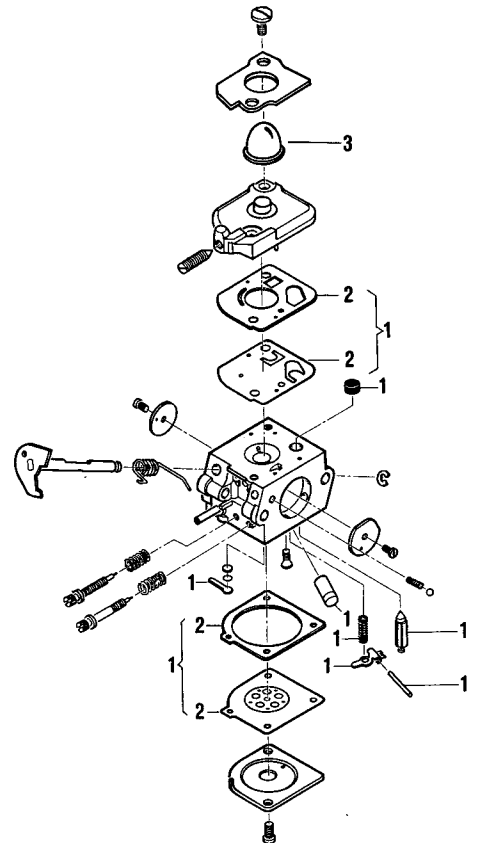
FIGURE 3

WALBRO WT 547



C	-	241601	carbur.
B	1	• 324013	1
A	2	•• 324009	1
C	3	• 225834	1
	4	• 224466	1

ZAMA C1Q M38



C	-	241824	carbur.
B	1	• 300465	1
A	2	•• 300473	1
C	3	• 246946	1

FIGURE 4

A = high moving - alta rotazione - haute demande - große Nachfrage
 B = medium moving - media rotazione - moyenne demande - mittelmäßige Nachfrage
 C = slow moving - bassa rotazione - basse demande - wenige Nachfrage