

ILLUSTRATED PARTS LIST

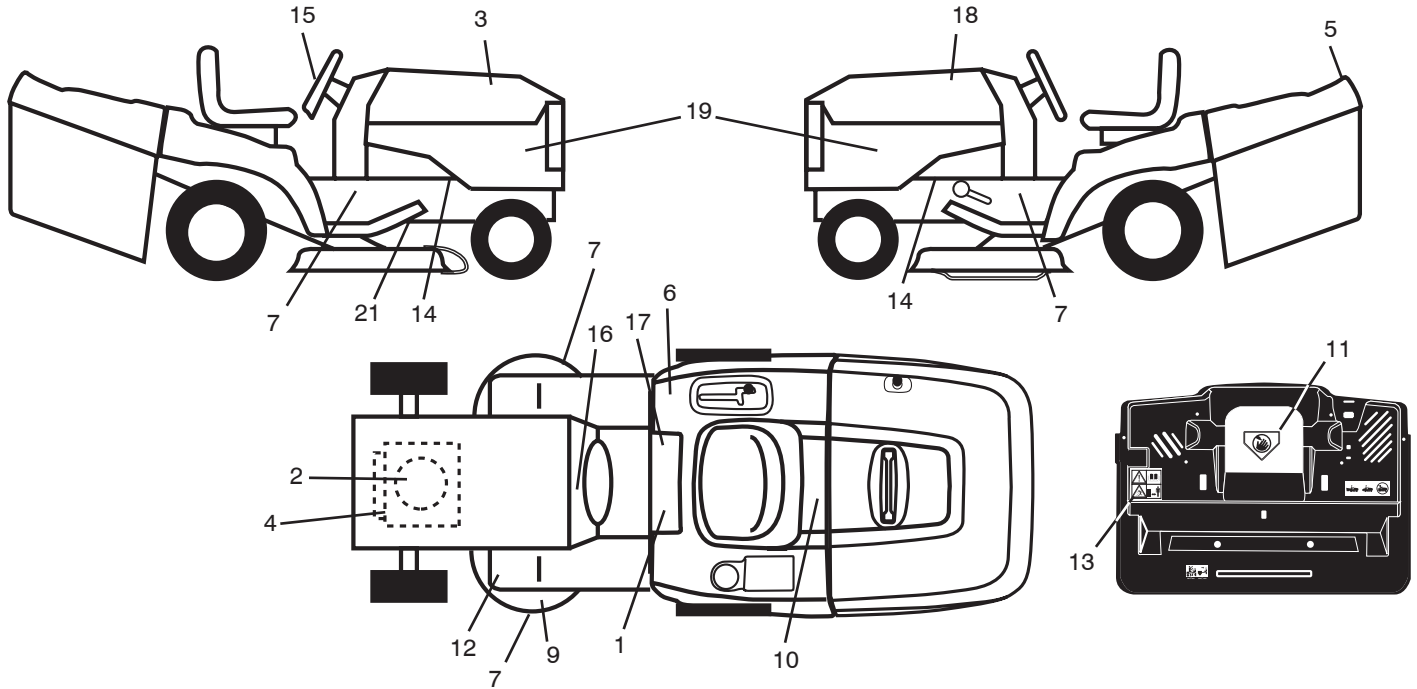
MODEL NO. 96061022800

CUSTOMER CATALOG NO. M200107HRB

PRODUCT NO. 960 61 02-28

REPAIR PARTS

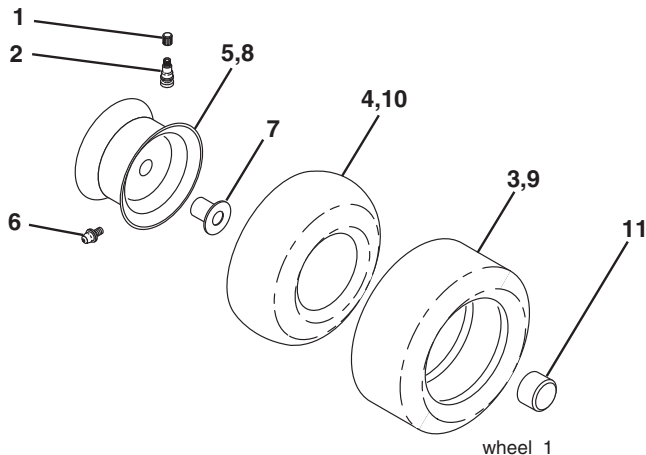
TRACTOR -- MODEL NO. M200107HRB (96061022800), PRODUCT NO.960 61 02-28
DECALS



| KEY NO. | PART NO. | DESCRIPTION |
|---------|--------------|--------------------------------|
| 1 | 532 40 03-89 | Decal, Warning Syms. CE |
| 2 | 532 40 88-38 | Decal, Hp Engine |
| 3 | 532 40 82-54 | Decal, Hood RH |
| 4 | 532 19 68-41 | Decal, Warning Eng. Syms. |
| 5 | 532 41 66-51 | Decal, Fndr |
| 6 | 532 18 04-32 | Decal, 100 DBA/CE |
| 7 | 532 19 68-42 | Decal, SDLSHF/CRDSym.Cutfinger |
| 9 | 532 18 78-11 | Decal, Mower Enviro |
| 10 | 532 14 50-05 | Decal, Bat Dan/Poi P/L Sym Wpn |
| 11 | 532 18 21-66 | Decal, Mower Cut Finger CE |
| 12 | 532 15 97-37 | Decal, Brake/Clutch Symbol Lt |
| 13 | 532 18 04-35 | Decal, Warn Back Plate CRD |

| KEY NO. | PART NO. | DESCRIPTION |
|---------|--------------|-----------------------------|
| 14 | 532 15 97-36 | Decal, Chassis Hot Muffler |
| 15 | 532 40 82-02 | Decal, Steering Wheel |
| 16 | 532 19 46-06 | Decal, Dash |
| 17 | 532 14 08-37 | Decal, Saddle Brake Parking |
| 18 | 532 40 82-55 | Decal, Hood LH |
| 19 | 532 41 66-50 | Decal, Side Panel |
| 21 | 532 16 62-86 | Decal, Hex Belt Sch 92 CRD |
| -- | 532 16 69-60 | Decal Bypass |
| -- | 532 18 10-91 | Pad Footrest LH |
| -- | 532 18 10-90 | Pad Footrest RH |
| -- | 532 40 09-09 | Manual Operator's (Euro) |

WHEELS & TIRES



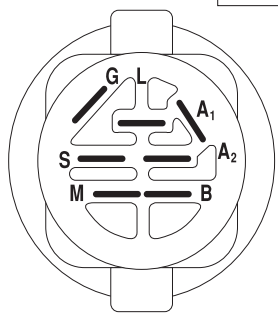
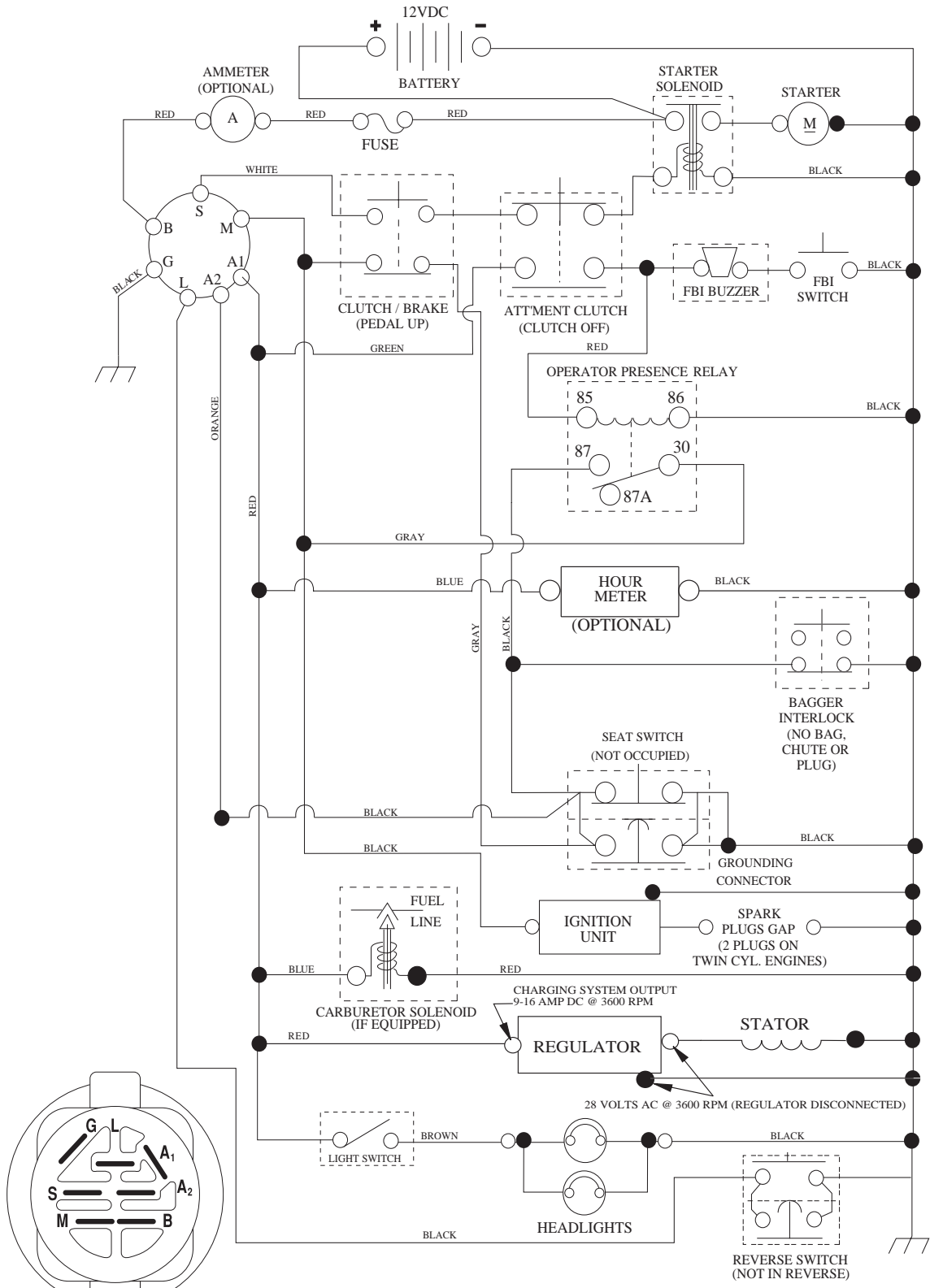
| KEY NO. | PART NO. | DESCRIPTION |
|---------|--------------|--------------------------------|
| 1 | 532 05 91-92 | Cap Valve Tire |
| 2 | 532 06 51-39 | Stem Valve |
| 3 | 532 10 62-22 | Tire F Ts 15 x 6 0 - 6 Service |
| 4 | 532 05 99-04 | Tube Inner Front #35060 |
| 5 | 532 12 51-21 | Rim Asm 6" front Service |
| 6 | 532 12 49-57 | Fitting Grease |
| 7 | 532 12 49-59 | Bearing Flange |
| 8 | 532 12 51-22 | Rim Asm 8" rear Service |
| 9 | 532 13 84-68 | Tire R Ts 20 x 8-8 C.Service |
| 10 | 532 12 49-26 | Tube Rear 9 5 x 8 Service |
| 11 | 532 17 50-39 | Cap Axle Blk 1 50 x 1 00 |
| -- | 532 14 43-34 | Sealant, Tire (10 oz. tube) |

NOTE: All component dimensions given in U.S. inches
1 inch = 25.4 mm

TRACTOR -- MODEL NO. M200107HRB (96061022800), PRODUCT NO.960 61 02-28

SCHEMATIC

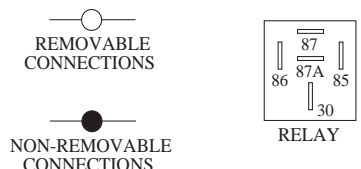
SCH07



IGNITION SWITCH

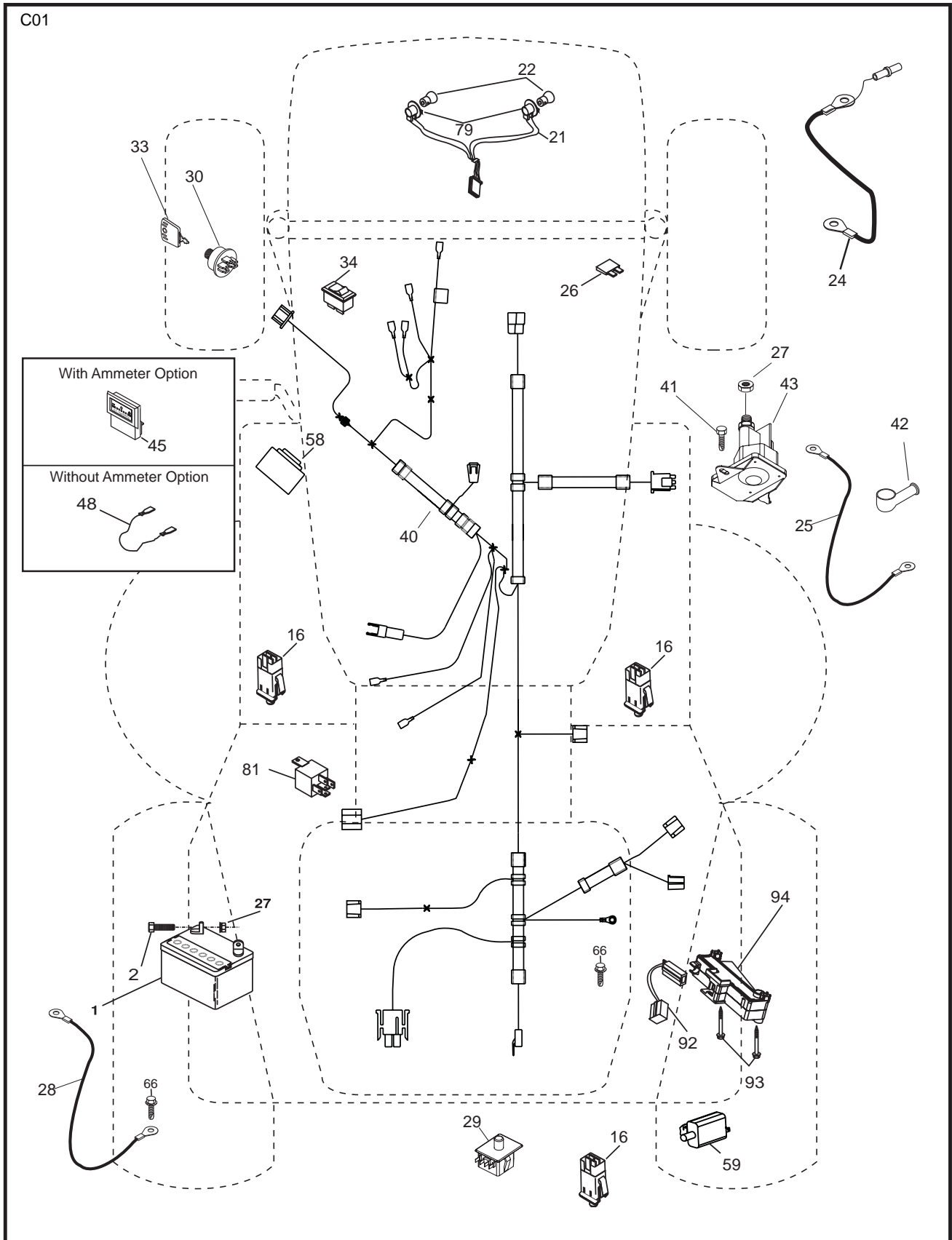
| POSITION | CIRCUIT | "MAKE" |
|--------------|------------|--------|
| OFF | M+G+A1 | |
| RUN/OVERRIDE | B+A1 | |
| RUN | B+A1 | L+A2 |
| START | B + S + A1 | |

WIRING INSULATED CLIPS
 NOTE: IF WIRING INSULATED CLIPS WERE REMOVED FOR SERVICING OF UNIT, THEY SHOULD BE RE-INSTALLED TO PROPERLY SECURE YOUR WIRING.



REPAIR PARTS

TRACTOR - - MODEL NO. M200107HRB (96061022800), PRODUCT NO.960 61 02-28
ELECTRICAL



REPAIR PARTS

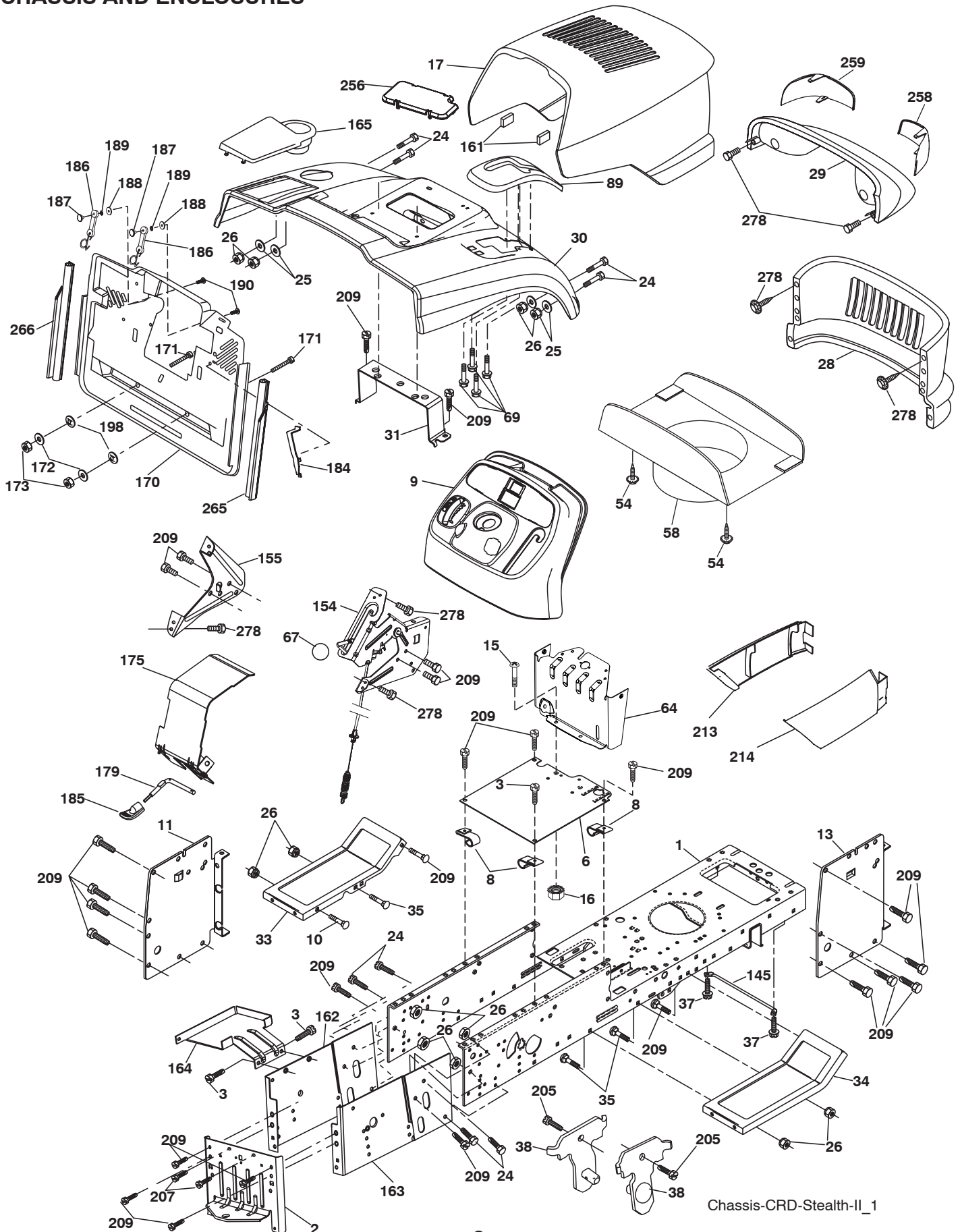
TRACTOR - - MODEL NO. M200107HRB (96061022800), PRODUCT NO.960 61 02-28
ELECTRICAL

| KEY NO. | PART NO. | DESCRIPTION |
|---------|--------------|-----------------------------------|
| 1 | 532 16 34-65 | Battery |
| 2 | 874 76 04-12 | Bolt Hex Hd 1/4-20 unc x 3/4 |
| 16 | 532 17 61-38 | Switch Interlock Push-In |
| 21 | 532 17 56-88 | Harness Asm. Light |
| 22 | 532 00 41-52 | Bulb Light #1156 |
| 24 | 532 12 47-80 | Cable Starter 6 Ga. 11" Red |
| 25 | 532 16 59-87 | Cable Battery Crd 56" Red |
| 26 | 532 17 51-58 | Fuse 20 Amp |
| 27 | 873 51 04-00 | Nut Keps Hex 1/4-20 unc |
| 28 | 532 12 77-25 | Cable Ground 6 Ga. 18" Black |
| 29 | 532 19 27-49 | Switch Seat |
| 30 | 532 19 33-50 | Switch Ignition |
| 33 | 532 41 19-35 | Key/Chain |
| 34 | 532 11 07-12 | Switch Light/Reset |
| 40 | 532 19 74-36 | Harness Ign |
| 41 | 871 11 04-08 | Bolt Blk Fin Hex 1/4-20 unc x 1/2 |
| 42 | 532 13 15-63 | Cover Terminal Red |
| 43 | 532 19 25-07 | Solenoid |
| 48 | 532 14 08-44 | Adapter Ammeter Rectangular |
| 58 | 532 16 94-19 | Buzzer Crd |
| 59 | 532 18 03-79 | Switch FBI CRD |
| 66 | 817 49 06-08 | Screw Thdrol 3/8-16 x 1/2 Ty-Tt |
| 79 | 532 17 52-42 | Socket Asm. Bulb |
| 81 | 532 10 97-48 | Relay Asm |
| 92 | 532 19 66-15 | Harness Pigtail |
| 93 | 532 19 25-40 | Screw Plastite 10-14 x 2.0 |
| 94 | 532 19 18-34 | Module Reverse ROS |

NOTE: All component dimensions given in U.S. inches.
1 inch = 25.4 mm.

REPAIR PARTS

TRACTOR - - MODEL NO. M200107HRB (96061022800), PRODUCT NO.960 61 02-28
CHASSIS AND ENCLOSURES



REPAIR PARTS

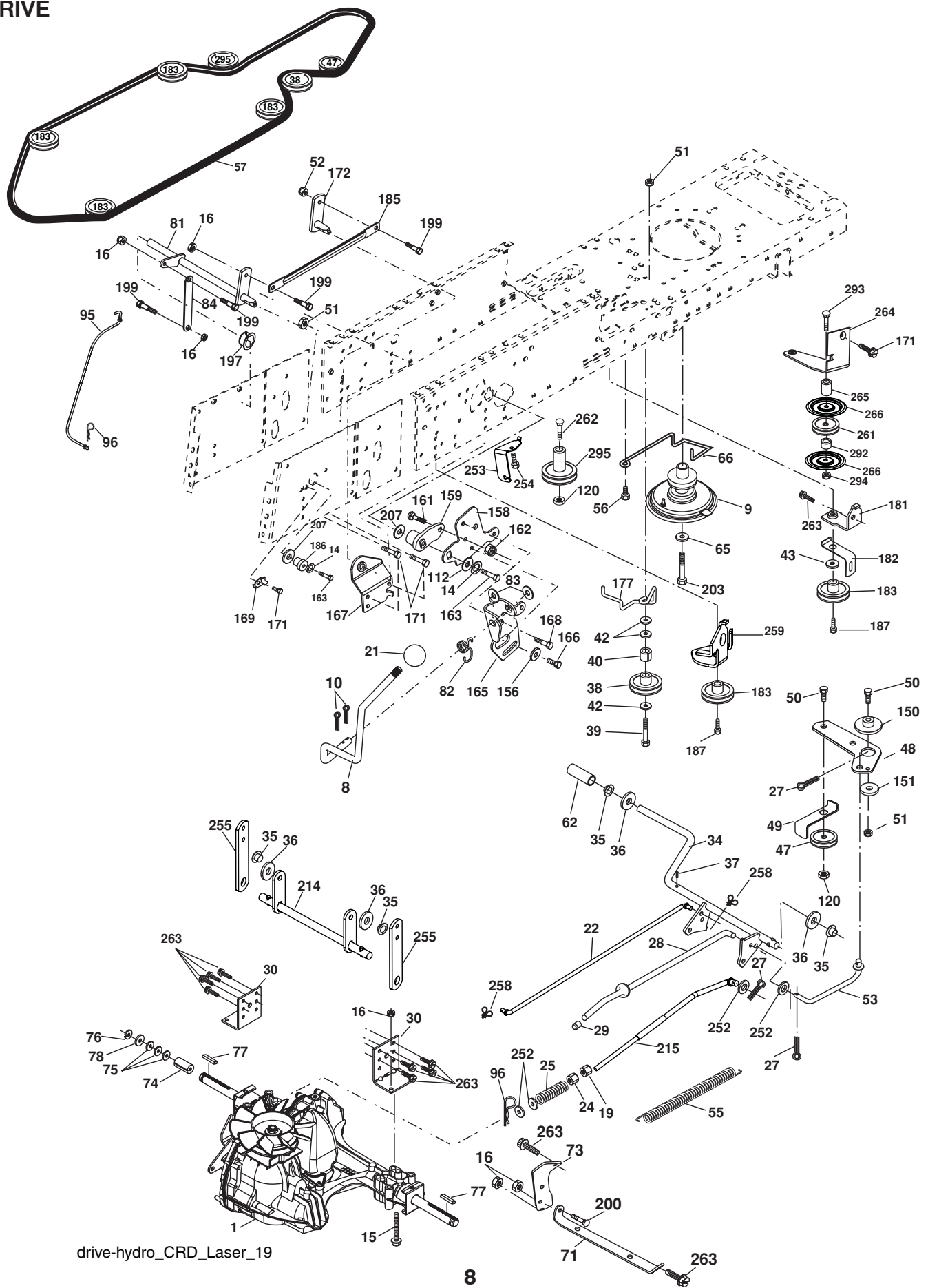
**TRACTOR - - MODEL NO. M200107HRB (96061022800), PRODUCT NO.960 61 02-28
CHASSIS AND ENCLOSURES**

| KEY NO. | PART NO. | DESCRIPTION | KEY NO. | PART NO. | DESCRIPTION |
|---------|--------------|----------------------------------|---------|--------------|-------------------------------------|
| 1 | 532 17 46-20 | Chassis | 161 | 532 16 46-55 | Bumper Hood |
| 2 | 532 18 03-84 | Drawbar | 162 | 532 18 03-82 | Bracket Exten Chassis LH CRD |
| 3 | 817 06 06-12 | Screw 3/8-16 x 3/4 | 163 | 532 18 03-83 | Bracket Exten Chassis RH CRD |
| 6 | 532 18 44-19 | Saddle | 164 | 532 16 56-05 | Support Battery CRD |
| 8 | 532 12 64-71 | Clip Insulator 13/32 Mtg. Hole | 165 | 532 18 13-56 | Cover Battery |
| 9 | 532 19 56-46 | Dash | 170 | 532 19 94-88 | Backplate CRD |
| 10 | 872 14 06-08 | Bolt, Carriage 3/8-16 x 3/4 | 171 | 872 14 06-20 | Bolt Rdhd Sqnk 3/8-16 x 2-1/2 Gr. 5 |
| 11 | 532 16 72-03 | Panel, Dash, LH | 172 | 819 13 20-16 | Washer 13/32 x 1-1/4 x 16 Ga. |
| 13 | 532 19 49-76 | Panel, Asm. Dash RH | 173 | 873 51 06-00 | Nut, Keps Hex 3/8-16 unc |
| 15 | 874 18 05-12 | Screw Mach. Trhd. 5/16-18uncx3/4 | 175 | 532 18 02-03 | Guard Trap |
| 16 | 873 41 05-00 | Nut Keps 5/16-18 unc | 179 | 532 18 82-02 | Rod Pivot FBI CRD |
| 17 | 532 19 49-77 | Hood | 184 | 532 17 46-62 | Bracket Actuator Bagger CRD |
| 24 | 874 78 06-16 | Bolt | 185 | 532 18 11-01 | Knob Rod Brake Parking |
| 25 | 819 13 13-12 | Washer 13/32 x 13/16 x 12 Ga. | 186 | 532 16 07-93 | Latch Asm Mulch/Bagger |
| 26 | 873 80 06-00 | Nut | 187 | 532 12 50-04 | Nut Weld |
| 28 | 532 18 71-14 | Grille | 188 | 819 06 12-16 | Washer #10 |
| 29 | 532 17 97-63 | Light Asm. | 189 | 810 07 10-00 | Washer Lock #10 |
| 30 | 532 19 73-64 | Fender | 190 | 871 08 10-10 | Screw Pan Hd Phillip 10-24 x 5/8 |
| 31 | 532 16 51-56 | Bracket, Fender Support | 198 | 532 16 89-37 | Nut, Push |
| 33 | 532 18 25-07 | Footrest, LH | 205 | 817 49 06-08 | Screw Thdrol 3/8-16 x 1/2 |
| 34 | 532 18 25-08 | Footrest, RH | 207 | 817 67 05-08 | Screw Thdrol 5/16-18 x 1/2 |
| 35 | 872 11 06-06 | Bolt | 209 | 817 00 06-12 | Screw Hex Wsh Thdrol 3/8-16 |
| 37 | 817 49 05-08 | Screw Thdrol 5/16-18 x 1/2 TYT | 213 | 532 18 71-12 | Skirt Grille LH |
| 38 | 532 18 17-48 | Bracket Asm Pivot Mower Rear | 214 | 532 18 71-11 | Skirt Grille RH |
| 54 | 532 19 25-12 | Screw 10-32 x 5/8 | 256 | 532 18 13-61 | Cover Fender Rack |
| 58 | 532 19 03-08 | Duct Air | 258 | 532 16 18-42 | Lens Grille RH |
| 64 | 532 19 93-95 | Bracket Dash Lower | 259 | 532 16 18-41 | Lens Grille LH |
| 67 | 532 10 69-32 | Knob | 265 | 532 18 57-04 | Seal Side RH Bagger |
| 69 | 532 14 24-32 | Screw Hx Wsh Hi-Lo 1/4-1/2 | 266 | 532 18 57-03 | Seal Side LH Bagger |
| 89 | 532 19 73-66 | Console Crd Auto | 278 | 532 19 16-11 | Screw 10 x 3/4 Single Lead Hex |
| 145 | 532 40 91-67 | Rod Pivot Chassis/Hood | | | |
| 154 | 532 19 48-28 | Clutch Asm Brkt. | | | |
| 155 | 532 18 39-26 | Bracket Dash LH | | | |

NOTE: All component dimensions given in U.S. inches.
1 inch = 25.4 mm.

REPAIR PARTS

TRACTOR -- MODEL NO. M200107HRB (96061022800), PRODUCT NO.960 61 02-28
DRIVE



drive-hydro_CRD_Laser_19

REPAIR PARTS

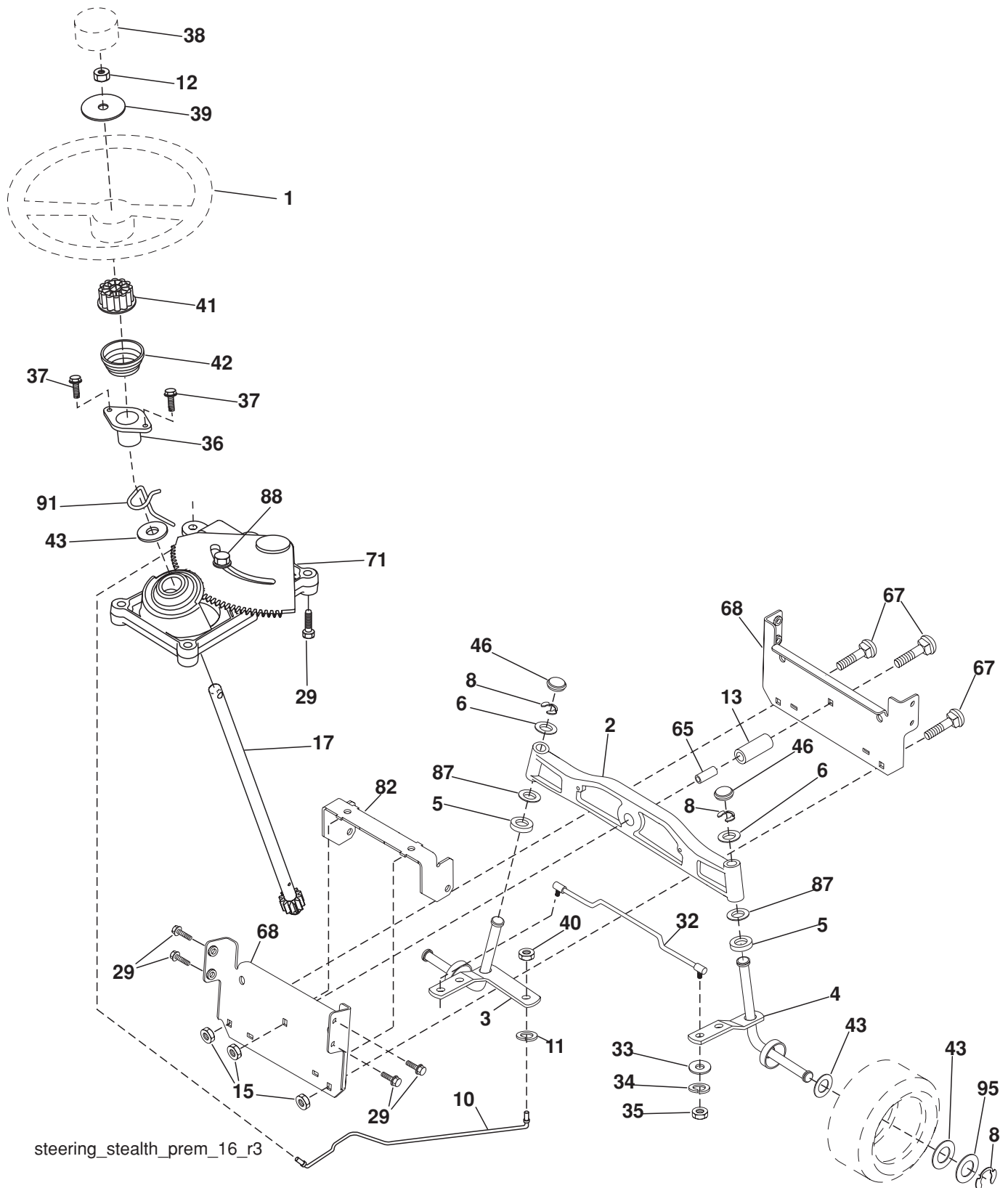
**TRACTOR - - MODEL NO. M200107HRB (96061022800), PRODUCT NO.960 61 02-28
DRIVE**

| KEY NO. | PART NO. | DESCRIPTION | KEY NO. | PART NO. | DESCRIPTION |
|---------|--------------|--|---------|--------------|-----------------------------------|
| 1 | ----- | Transaxle Hydro Gear 321-0510 (Order parts from transaxle manufacturer) | 96 | 532 12 47-88 | Spring, Retainer 1" |
| 8 | 532 19 27-06 | Rod, Shift Fender Adjust Lt | 112 | 819 09 12-10 | Washer 9/32 x 3/4 x 10 Ga. |
| 9 | 532 40 85-79 | Clutch Asm Noram | 120 | 873 90 06-00 | Nut Lock Flg. 3/8-16 unc |
| 10 | 876 02 04-16 | Pin, Cotter 1/8 x 1 | 150 | 532 16 58-50 | Bushing, Bellcrank Grnd Dr |
| 14 | 810 04 04-00 | Washer, Lock Hvy Helical | 151 | 819 13 32-10 | Washer 13/32 x 2 x 10 Ga. |
| 15 | 874 49 05-44 | Bolt Hex FGHD 5/16-18 x Gr 5 | 156 | 532 16 60-02 | Washer Srrted 5/16 ID x 1.125 |
| 16 | 873 80 05-00 | Nut Lock Hex w/lns 5/16-18 unc | 158 | 532 16 55-89 | Bracket Shift Mount |
| 19 | 873 80 06-00 | Nut Lock Hex w/lns 3/8-16 unc | 159 | 532 18 39-00 | Hub Shift |
| 21 | 532 14 08-45 | Knob | 161 | 872 14 04-06 | Bolt Rdhd Sqnk 1/4-20 x 3/4 Gr. 5 |
| 22 | 532 17 56-07 | Rod Brake, Main | 162 | 873 68 04-00 | Nut Crownlock 1/4-20 unc |
| 24 | 873 35 06-00 | Nut Hex Jam 3/8-16 unc | 163 | 874 78 04-16 | Bolt Hex Fin 1/4-20 unc x 1 Gr. 5 |
| 25 | 532 19 20-36 | Spring, Rod, Brake | 165 | 532 16 56-23 | Bracket Pivot Lever |
| 27 | 876 02 04-12 | Pin, Cotter 1/8 x 3/4 | 166 | 817 49 05-10 | Screw 5/16-18 x 5/8 |
| 28 | 532 17 57-65 | Rod, Parking Brake | 167 | 532 16 55-88 | Bracket Support Shift CRD |
| 29 | 532 07 16-73 | Cap, Parking Brake | 168 | 532 16 54-92 | Bolt Shoulder 5/16-18 x .561 |
| 30 | 532 16 95-92 | Bracket, MTG-20" Transaxle | 169 | 532 16 55-80 | Plate Fastening Lt |
| 34 | 532 17 55-78 | Shaft, Asm Pedal Foot CRD | 171 | 817 49 06-08 | Screw Thdrol 3/8-16 x 1/2 Ty-Tt |
| 35 | 532 12 01-83 | Bearing, Nylon | 172 | 532 17 02-71 | Shaft Asm Shifter Frt CRD |
| 36 | 819 21 16-16 | Washer 21/32 x 1 x 16 Ga. | 177 | 532 16 59-32 | Keeper Flat Idler 3.06" CRD |
| 37 | 532 12 49-63 | Pin, Roll 3/16 x 1" | 181 | 532 18 02-11 | Bracket Idler Ground Drive CRD |
| 38 | 532 16 59-36 | Pulley Flat Composite 3.06" | 182 | 532 18 26-82 | Keeper Belt 2.5" Od V-Idler CRD |
| 39 | 874 76 06-44 | Bolt Fin Hex 3/8-16 unc x 2-3/4 | 183 | 532 19 95-32 | Pulley V-Idler CRD |
| 40 | 532 12 49-65 | Spacer, Split 395 x 59 Bzp | 185 | 532 17 00-08 | Link Shift |
| 42 | 819 13 13-12 | Washer 13/32 x 13/16 x 12 Ga. | 186 | 532 16 56-14 | Hub Tapered Round CRD |
| 43 | 819 11 10-12 | Washer 11/32 x 5/8 x 12 Ga. | 187 | 817 58 05-20 | Screw Thdrol 5/16-18 x 1.25 |
| 47 | 532 12 77-83 | Pulley, Idler, V Groove Plastic | 197 | 532 16 96-13 | Nyliner Snap-In 5/8 |
| 48 | 532 15 44-07 | Bellcrank Clutch Grnd Drv | 199 | 532 16 96-12 | Bolt Shoulder 5/16-18 unc |
| 49 | 532 12 32-05 | Retainer, Belt Style Spring | 200 | 872 14 05-08 | Bolt RDHD SQNK 5/16-18 x 1 |
| 50 | 872 11 06-12 | Bolt Carr. Sh. 3/8-16 x 1-1/2 Gr. 5 | 203 | 871 17 07-80 | Bolt Hex 7/16-20 x 5 |
| 51 | 873 68 06-00 | Nut, Crownlock 3/8-16 unc | 207 | 532 16 98-45 | Washer Nylon Rear |
| 52 | 873 68 05-00 | Nut Crownlock 5/16-18 | 214 | 532 17 56-09 | Shaft Asm. Brake |
| 53 | 532 19 96-52 | Link, Clutch 7.66 | 215 | 532 17 56-52 | Rod Brake Hydro |
| 55 | 532 10 57-09 | Spring, Return, Clutch | 252 | 819 13 16-16 | Washer 13/32 x 1 x 16 Ga. |
| 56 | 817 06 06-20 | Screw 3/8-16 x 1-1/4 | 253 | 532 17 50-28 | Bracket Cable Chassis |
| 57 | 532 17 01-40 | V-Belt Kev 112" 0650 CRD | 254 | 817 00 06-16 | Screw 3/8-16 x 1 |
| 62 | 532 12 48-72 | Cover, Pedal | 255 | 532 17 56-08 | Brace Shaft Brake Mtg. |
| 65 | 810 04 07-00 | Washer, Lock 7/16 | 258 | 532 17 80-62 | Clip Retainer |
| 66 | 532 15 47-78 | Keeper, Belt Engine F-Proof | 259 | 532 18 02-12 | Bracket Pulley |
| 71 | 532 16 91-83 | Strap, Torque, LH | 261 | 532 13 14-94 | Pulley Idler |
| 73 | 532 16 91-82 | Strap, Torque, RH | 262 | 872 11 06-22 | Bolt Carr. 3/8-16 x 2-3/4 Gr. 5 |
| 74 | 532 13 70-57 | Spacer, Split | 263 | 817 00 06-12 | Screw 3/8-16 x 3/4 |
| 75 | 532 12 17-49 | Washer 25/32 x 1-1/4 x 16 Ga. | 264 | 532 19 76-08 | Bracket Idler Chassis |
| 76 | 812 00 00-01 | Ring, E | 265 | 532 40 46-07 | Spacer Idler Chassis |
| 77 | 532 12 35-83 | Key, Square | 266 | 532 18 20-61 | Shield Idler Mower |
| 78 | 532 12 17-48 | Washer 25/32 x 1-5/8 x 16 Ga. | 292 | 532 40 02-71 | Spacer Noram |
| 81 | 532 17 00-06 | Asm, Shaft,Cross Rear | 293 | 872 14 06-28 | Bolt 3/8-16 x 3-1/2 |
| 82 | 532 16 57-11 | Spring, Torsion | 294 | 532 19 70-33 | Nut 3/8-16 |
| 83 | 819 17 12-16 | Washer 17/32 x 3/4 x 16 Ga. | 295 | 532 17 91-14 | Pulley Idler Composite |
| 84 | 532 17 00-07 | Link, Transaxle | | | |
| 95 | 532 17 00-15 | Control Asm Bypass Hydro, Rod | | | |

NOTE: All component dimensions given in U.S. inches
1 inch = 25.4 mm

REPAIR PARTS

TRACTOR -- MODEL NO. M200107HRB (96061022800), PRODUCT NO.960 61 02-28
STEERING ASSEMBLY



REPAIR PARTS

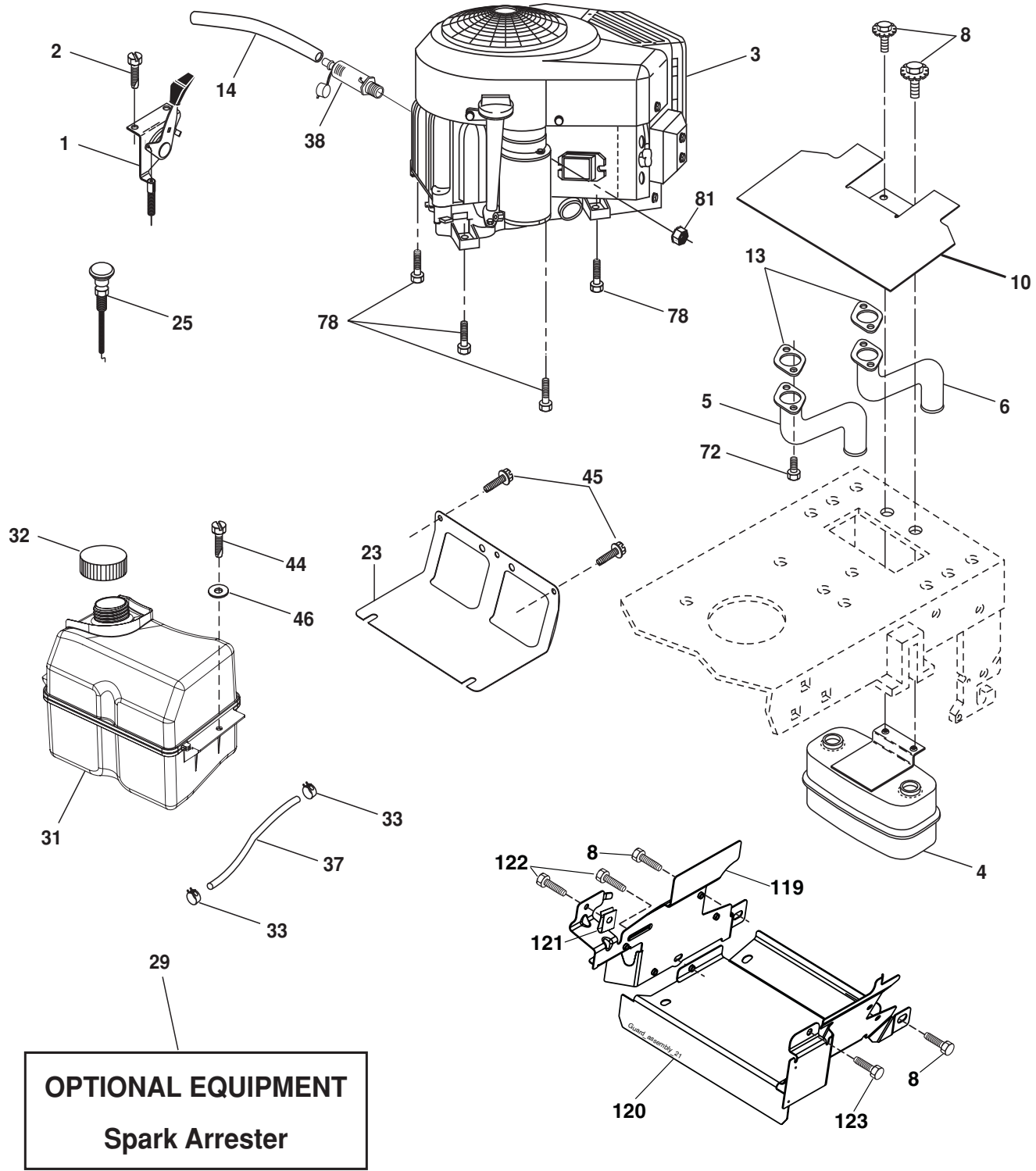
TRACTOR - - MODEL NO. M200107HRB (96061022800), PRODUCT NO.960 61 02-28
STEERING ASSEMBLY

| KEY NO. | PART NO. | DESCRIPTION |
|---------|--------------|----------------------------------|
| 1 | 532 19 45-95 | Steering Wheel |
| 2 | 532 18 47-06 | Cast Iron Axle Assembly |
| 3 | 532 16 98-40 | Spindle Assembly, LH |
| 4 | 532 16 98-39 | Spindle Assembly, RH |
| 5 | 532 12 49-31 | Bearing, Race, Thrust, Hardened |
| 6 | 532 12 17-48 | Washer 25/32 x 1-5/8 x 16 Ga. |
| 8 | 812 00 00-29 | Ring, Clip |
| 10 | 532 17 51-21 | Link, Drag |
| 11 | 810 04 06-00 | Washer, Lock |
| 12 | 873 94 08-00 | Nut Hex Jam Toplock 1/2-20 unf |
| 13 | 532 13 65-18 | Spacer Brg Axle Front |
| 15 | 532 14 52-12 | Nut, Hexflange Lock |
| 17 | 532 17 78-83 | Shaft Assembly, Steering |
| 29 | 817 00 06-12 | Screw, 3/8-16 x 3/4 |
| 32 | 532 17 01-62 | Rod, Tie |
| 33 | 819 11 12-16 | Washer 11/32 x 3/4 x 16 Ga. |
| 34 | 810 04 05-00 | Washer Lock Hvy Hlcl Spr 5/16 |
| 35 | 873 54 05-00 | Nut Crownlock 5/16-24 unf |
| 36 | 532 15 51-05 | Bushing, Steering |
| 37 | 532 15 29-27 | Screw TT #10-32 x 5 x 3/8 Flange |
| 38 | 532 19 46-03 | Cap Wheel Steering |
| 39 | 819 18 38-12 | Washer 9/16 x 2-3/8 12 Ga. |
| 40 | 873 54 06-00 | Nut Crownlock 3/8-24 |
| 41 | 532 18 67-37 | Adaptor, Steering Wheel |
| 42 | 532 17 71-49 | Boot, Steering |
| 43 | 532 12 17-49 | Washer 25/32 x 1-1/4 x 16 Ga. |
| 46 | 532 12 12-32 | Cap, Spindle |
| 65 | 532 41 47-36 | Spacer Brace Axle |
| 67 | 872 11 06-18 | Bolt Rdhd Sq 3/8-16 unc x 2-1/4 |
| 71 | 532 17 51-46 | Steering Asm. |
| 68 | 532 16 98-27 | Brace Axle |
| 82 | 532 19 99-78 | Bracket Susp Chassis Front |
| 87 | 532 17 39-66 | Washer Flat .781 x 1-1/2 x .14 |
| 88 | 532 17 51-18 | Bolt Shoulder 7/16-20 unc |
| 91 | 532 17 55-53 | Clip Steering |
| 95 | 532 18 89-67 | Washer Harden .793 x 1.637 x 060 |

NOTE: All component dimensions given in U.S. inches.
1 inch = 25.4 mm.

REPAIR PARTS

TRACTOR -- MODEL NO. M200107HRB (96061022800), PRODUCT NO.960 61 02-28
ENGINE



engine-bs.twin_41_r2

REPAIR PARTS

TRACTOR - - MODEL NO. M200107HRB (96061022800), PRODUCT NO.960 61 02-28
ENGINE

| KEY NO. | PART NO. | DESCRIPTION |
|---------|---------------------|---|
| 1 | 532 17 83-85 | Control Throt /Ch |
| 2 | 532 41 63-58 | Screw 10 x 0.750 |
| 3 | ----- | Engine B&S Model 406777 (Order Parts from Engine Manufacturer) |
| 4 | 532 14 97-23 | Muffler Exhaust B&S LT |
| 5 | 532 16 05-89 | Exhaust Tube RH |
| 6 | 532 15 99-55 | Exhaust Tube LH |
| 8 | 532 17 18-77 | Bolt 5/16-18 unc x 3/4 |
| 10 | 532 14 66-29 | Shield Heat Muffler |
| 13 | 532 16 52-91 | Gasket 1 313 Id Tin Plated |
| 14 | 532 14 84-56 | Tube Drain Oil Easy |
| 23 | 532 16 98-37 | Shield Browning/Debris Guard |
| 25 | 532 19 15-96 | Control Choke |
| 29 | 532 13 71-80 | Arrester Spark |
| 31 | 532 40 75-51 | Tank Fuel |
| 32 | 532 19 77-25 | Cap Asm Fuel Top |
| 33 | 532 12 34-87 | Clamp Hose Blk |
| 37 | 532 13 70-40 | Line Fuel 20" |
| 38 | 532 18 16-54 | Plug Drain Oil Easy |
| 44 | 817 67 04-12 | Screw Hexwsh Thdrol 3/8-16 x 1 |
| 45 | 817 00 06-12 | Screw 3/8-16 x 3/4 |
| 46 | 819 09 14-16 | Washer 9/32 x 7/8 x 16 Ga. |
| 72 | 532 18 39-06 | Screw Socket Head 5/16-18 x 1 |
| 78 | 817 06 06-20 | Screw 3/8-16 x 1-1/4 |
| 81 | 873 51 04-00 | Nut Keps Hex 1/4-20 unc |
| 119 | 532 19 97-68 | Guard Asm. Eng. LH |
| 120 | 532 19 97-67 | Guard Asm. Eng. RH |
| 121 | 532 19 66-88 | Clips Threaded |
| 122 | 532 13 77-29 | Screw Thd Roll 1/4-20 x 5/8 |
| 123 | 817 67 05-08 | Screw Thdrol 5/16-18 x 1/2 |

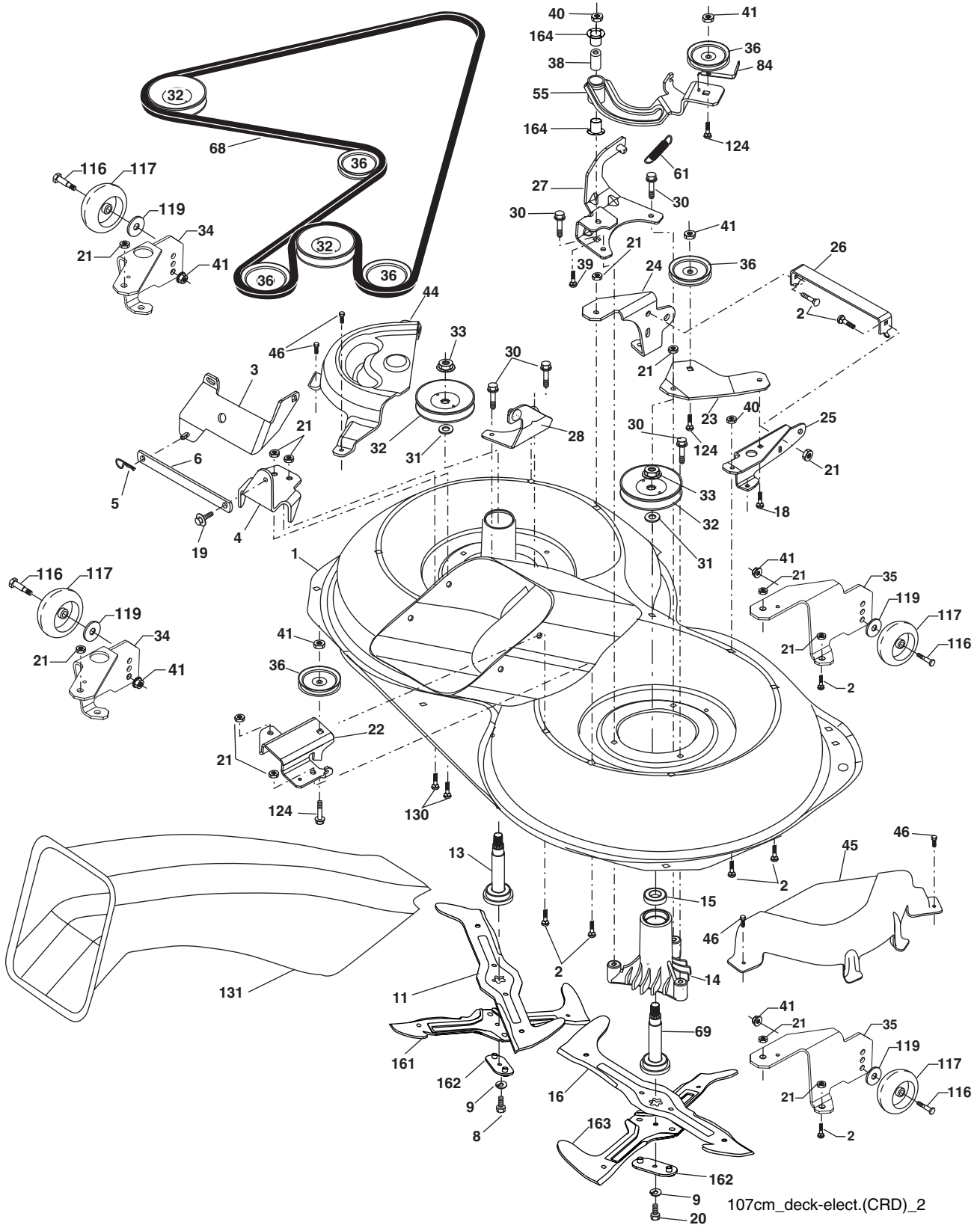
NOTE: All component dimensions given in U.S. inches
1 inch = 25.4 mm

Engine Power Rating Information

The gross power rating for individual gas engine models is labeled in accordance with SAE (Society of Automotive Engineers) code J11940 (Small Engine Power & Torque Rating Procedure), and rating performance has been obtained and corrected in accordance with SAE J1995 (Revision 2002-5). Actual gross engine power will be lower and is affected by, among other things, ambient operating conditions and engine-to-engine variability. Given both the wide array of products on which engines are placed and the variety of environmental issues applicable to operating the equipment, the gas engine will not develop the rated gross power when used in a given piece of power equipment (actual "on-site" or net horsepower). This difference is due to a variety of factors including, but not limited to, accessories (air cleaner, exhaust, charging, cooling, carburetor, fuel pump, etc.), application limitations, ambient operating conditions (temperature, humidity, altitude), and engine-to-engine variability. Due to manufacturing and capacity limitations, Briggs & Stratton may substitute an engine of higher rated power for this Series engine.

REPAIR PARTS

TRACTOR -- MODEL NO. M200107HRB (96061022800), PRODUCT NO.960 61 02-28
MOWER



REPAIR PARTS

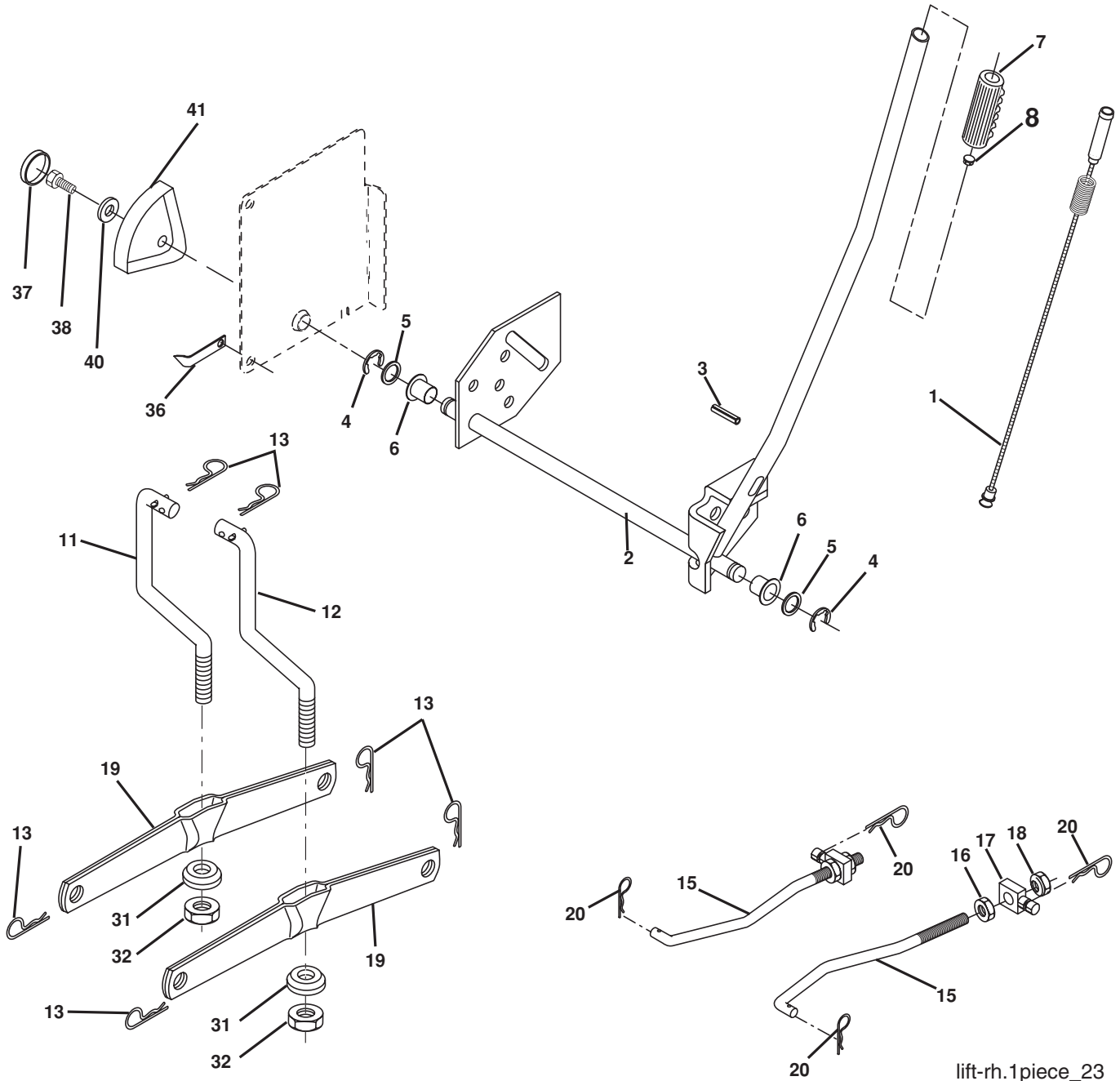
TRACTOR - - MODEL NO. M200107HRB (96061022800), PRODUCT NO.960 61 02-28
MOWER

| KEY NO. | PART NO. | DESCRIPTION | KEY NO. | PART NO. | DESCRIPTION |
|---------|--------------|-------------------------------------|---------|--------------|---|
| 1 | 532 16 91-60 | Housing Asm. Mower | 39 | 872 11 06-22 | Bolt RhHd 3/8-16 unc x 2-3/4 Gr. 5 |
| 2 | 872 14 05-06 | Bolt Rdhd Sqnk 5/16-18 unc x 3/4 | 40 | 873 68 06-00 | Nut Crownlock 3/8-16 unc |
| 3 | 532 16 55-69 | Bracket Asm. S-Bar Chass | 41 | 873 90 06-00 | Nut Flangelock 3/8-16 unc |
| 4 | 532 16 91-67 | Bracket Bar Sway Deck | 44 | 532 17 55-38 | Cover Mandrel LH |
| 5 | 532 12 46-70 | Retainer Spring | 45 | 532 17 55-39 | Cover Mandrel RH |
| 6 | 532 16 55-57 | Bar Sway | 46 | 532 13 77-29 | Screw Thd Roll 1/4-20 x 5/8 |
| 8 | 532 18 17-12 | Bolt 3/8-24 x 1.25 Gr. 8 Patched | 55 | 532 16 98-49 | Arm Idler |
| 9 | 810 03 06-00 | Washer Lock Hvy 3/8 Unplated | 61 | 532 19 94-87 | Spring Tension Belt |
| 11 | 532 18 05-83 | Blade 3-1 Lh | 68 | 532 40 20-09 | Hex-Belt Mower |
| 13 | 532 13 76-45 | Shaft Asm. w/Lower Bearing | 69 | 532 16 54-82 | Shaft Asm w/Lwr Brg RH Thd CRD |
| 14 | 532 12 87-74 | Housing Mandrel Vented (Machd) | 84 | 532 15 60-85 | Keeper Belt Idler |
| 15 | 532 11 04-85 | Bearing Ball Mandrel | 116 | 532 19 34-06 | Bolt Shoulder |
| 16 | 532 18 05-84 | Blade 3-1 RH | 117 | 532 17 48-73 | Wheel Gauge |
| 18 | 872 11 06-06 | Bolt Rdhd Sqnk 3/8-16 x 3/4 Gr. 5 | 119 | 819 13 20-12 | Washer 13/32 x 1-1/4 x 12 Ga. |
| 19 | 532 13 28-27 | Bolt Shoulder 5/16-18 Thd Form | 124 | 872 11 06-12 | Bolt Carr Sh 3/8-16 x 1-1/2 Gr. 5 |
| 20 | 532 18 17-13 | Bolt 3/8-24 x 1.25 Gr. 8 Ptch Lhthd | 130 | 872 11 05-06 | Bolt Rdhdsqnk 5/16-18 unc x 3/4 |
| 21 | 873 68 05-00 | Nut Crown Lock 5/16-18 | 131 | 532 16 56-61 | Chute Bagger CRD 92 cm |
| 22 | 532 16 91-65 | Bracket Idler Sprt RR | 161 | 532 18 04-24 | Blade Cross LH 107 |
| 23 | 532 16 91-66 | Bracket Idler Sprt RF | 162 | 532 18 08-78 | Adapter Weldment Blade 107 |
| 24 | 532 41 34-36 | Bracket Suspension LF | 163 | 532 18 04-25 | Blade Cross RH 107 |
| 25 | 532 40 01-05 | Bracket Suspension RF | 164 | 532 12 49-37 | Bearing |
| 26 | 532 40 01-10 | Brace Susp Frt CRD | -- | 532 18 18-57 | Mandrel Assembly (Includes housing, shaft assembly, and bearing only - pulley/nut/washer and blade bolt/washers not included) |
| 27 | 532 16 91-72 | Bracket Asm. Susp RR | -- | 532 18 18-58 | Mandrel Asm CRD LH Threads VC |
| 28 | 532 16 91-68 | Bracket Asm. Susp LR | -- | 532 40 03-25 | Replacement Mower Complete |
| 30 | 532 17 39-84 | Screw Thd Rolling Dod.PT Hex | | | |
| 31 | 532 18 76-90 | Washer Spacer Mower Vented | | | |
| 32 | 532 19 81-45 | Mandrel Pulleys | | | |
| 33 | 532 40 02-34 | Nut Flg Top Lock | | | |
| 34 | 532 40 01-03 | Bracket Gauge Wheel LF | | | |
| 35 | 532 40 01-04 | Bracket Gauge Wheel RF | | | |
| 36 | 532 14 67-63 | Pulley Idler V-Groove Dim 4.25 | | | |
| 38 | 532 16 98-51 | Spacer Hub Arm Idler | | | |

NOTE: All component dimensions given in U.S. inches
1 inch = 25.4 mm

REPAIR PARTS

TRACTOR - - MODEL NO. M200107HRB (96061022800), PRODUCT NO.960 61 02-28
MOWER LIFT



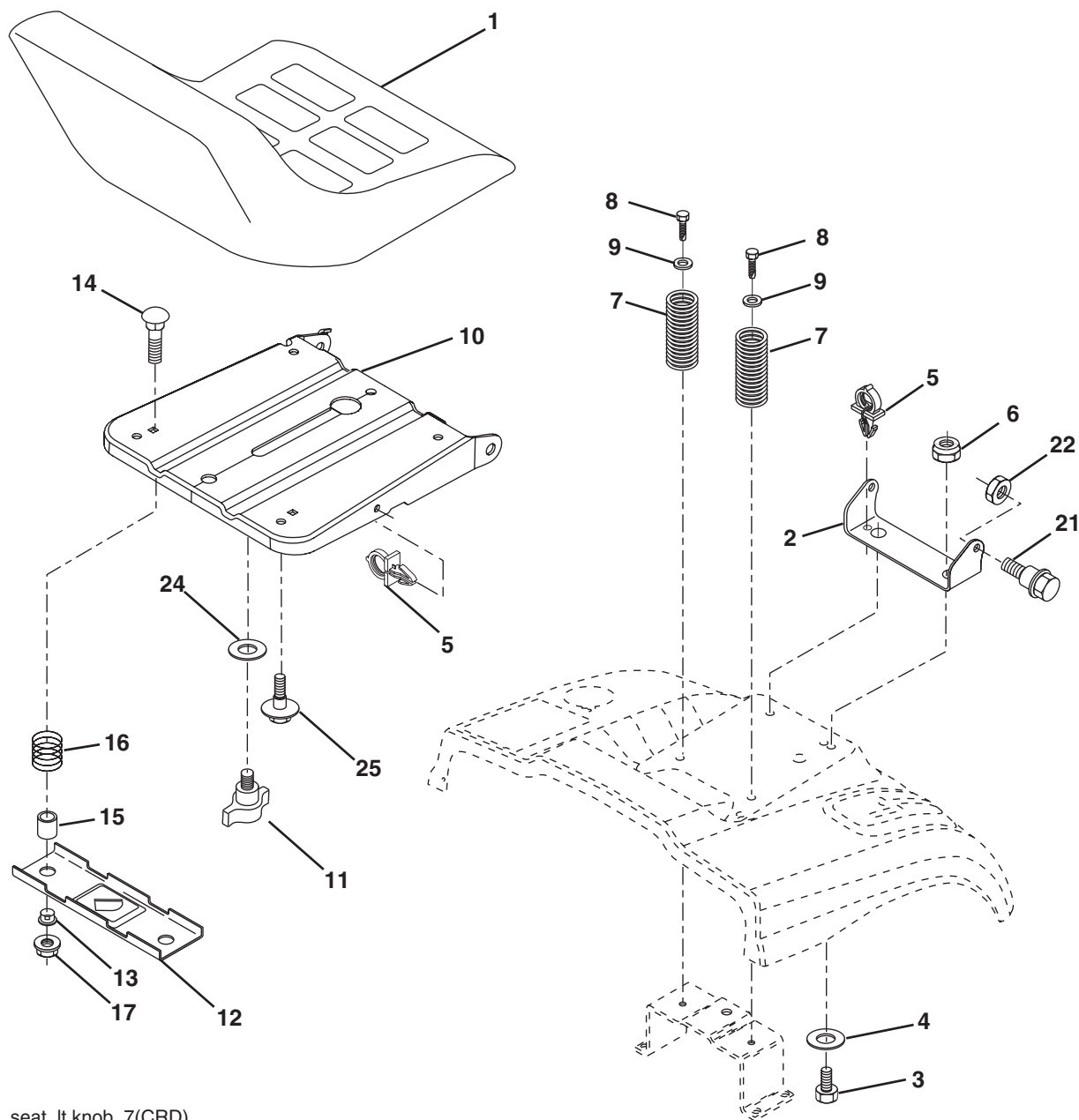
| KEY NO. | PART NO. | DESCRIPTION |
|---------|--------------|---------------------------------|
| 1 | 532 19 84-17 | Wire Asm Inner Spring w/Plunger |
| 2 | 532 19 80-70 | Shaft Asm. Lift |
| 3 | 532 18 88-22 | Pin Groove |
| 4 | 812 00 00-02 | E Ring #5133-62 |
| 5 | 819 21 16-21 | Washer 21/32 x 1 x 21 Ga. |
| 6 | 532 12 01-83 | Bearing Nylon |
| 7 | 532 10 94-13 | Grip Handle Bicycle |
| 8 | 532 12 45-26 | Button Plunger Black |
| 11 | 532 16 58-28 | Link Asm Lift LH |
| 12 | 532 16 58-30 | Link Asm Lift RH |
| 13 | 532 12 46-70 | Retainer Spring |
| 15 | 532 17 32-88 | Link Front |
| 16 | 873 35 08-00 | Nut Jam Hex 1/2-13 unc |
| 17 | 532 17 56-89 | Trunnion Blk Zinc |

| KEY NO. | PART NO. | DESCRIPTION |
|---------|--------------|-----------------------------|
| 18 | 873 80 08-00 | Nut Lock w/Wsh 1/2-13 unc |
| 19 | 532 13 98-68 | Arm Suspension Mower |
| 20 | 532 19 42-09 | Pin Cotter 7/16 Bowtie Lock |
| 31 | 532 16 98-65 | Bearing, Pvt. Lift. |
| 32 | 873 54 06-00 | Nut Crownlock 3/8-24 |
| 36 | 532 15 50-97 | Pointer Height Indicator |
| 37 | 532 12 39-35 | Plug Hole |
| 38 | 817 06 05-16 | Screw 5/16-18 x 1 |
| 40 | 819 11 24-10 | Washer 11/32 x 1-1/2 10 Ga. |
| 41 | 532 12 39-34 | Scale Ind. Height |

NOTE: All component dimensions given in U.S. inches
1 inch = 25.4 mm

REPAIR PARTS

TRACTOR - - MODEL NO. M200107HRB (96061022800), PRODUCT NO.960 61 02-28
SEAT ASSEMBLY



seat_lt.knob_7(CRD)

| KEY NO. | PART NO. | DESCRIPTION |
|---------|--------------|--------------------------------|
| 1 | 532 18 87-13 | Seat |
| 2 | 532 14 05-51 | Bracket Pnt Pivot Seat (Blk) |
| 3 | 871 11 06-16 | Bolt Fin Hex 3/8-16 unc x 1 |
| 4 | 819 13 16-10 | Washer Flat 13/32 x 1 x 10 Ga. |
| 5 | 532 14 50-06 | Clip Push In Hinged |
| 6 | 873 80 06-00 | Nut Lock Hex 3/8-16 unc |
| 7 | 532 12 41-81 | Spring Seat Cprsn 2 250 Blk Zi |
| 8 | 817 00 06-16 | Screw 3/8-16 x 1-1/2 |
| 9 | 819 13 16-14 | Washer 13/32 x 1 x 14 Ga. |
| 10 | 532 19 55-30 | Pan Pnt Seat (Blk) |
| 11 | 532 16 63-69 | Knob Seat |
| 12 | 532 17 46-48 | Bracket Pnt Mounting Switch |

| KEY NO. | PART NO. | DESCRIPTION |
|---------|--------------|---------------------------------|
| 13 | 532 12 12-48 | Bushing Snap Blk Nyl 50 Id |
| 14 | 872 05 04-12 | Bolt Rdhd Sht Nk 1/4-20 x 1-1/2 |
| 15 | 532 13 43-00 | Spacer Split |
| 16 | 532 12 12-50 | Spring Cprsn |
| 17 | 532 12 39-76 | Nut Lock 1/4 Lge Flg Gr. 5 Zinc |
| 21 | 532 17 18-52 | Bolt Shoulder 5/16-18 unc-2A |
| 22 | 873 80 05-00 | Nut Hex Lock w/Ins 5/16-18 |
| 24 | 819 17 19-12 | Washer 17/32 x 1-3/16 x 12 Ga. |
| 25 | 532 12 70-18 | Bolt Shoulder 5/16-18 x .62 |

NOTE: All component dimensions given in U.S. inches
1 inch = 25.4 mm

REPAIR PARTS

TRACTOR - - MODEL NO. M200107HRB (96061022800), PRODUCT NO.960 61 02-28
BAGGER

| KEY NO. | PART NO. | DESCRIPTION |
|---------|--------------|--------------------------------------|
| 1 | 532 16 52-49 | Tube Handle Bagger CRD |
| 3 | 532 12 39-76 | Nut Lock 1/4 Lge Flg Gr. 5 Zinc |
| 4 | 532 16 99-16 | Handle Bagger w/Lvrs Gr. 5 Zinc |
| 5 | 874 98 10-24 | Screw Pan Head #10-24 x 1.50 Blk |
| 6 | 874 98 10-32 | Screw Pan Hd |
| 7 | 873 40 10-00 | Nut Wiz Lock Hex Serr/Hd #10-24 |
| 8 | 532 18 25-14 | Cover Bagger Steel |
| 9 | 872 14 04-18 | Bolt Carriage 1/4-20 x 2.25d x Gr. 5 |
| 10 | 532 18 12-82 | Tube Support Bagger CRD |
| 11 | 532 16 57-19 | Bracket Support Upper Bag CRD |
| 12 | 532 18 88-48 | Bracket Pivot LH |
| 13 | 874 76 06-12 | Bolt Fin Hex 3/8-16 unc x 3/4 |
| 14 | 874 52 06-36 | Bolt Fin Hex 3/8-16 x 2 x 1/4 Gr. 5 |
| 15 | 532 12 46-70 | Retainer Spring |
| 16 | 873 90 06-00 | Nut Fock Flg 3/8-16 unc |
| 17 | 872 14 05-06 | Bolt Rdhd Sht Sqnk 5/16-18 unc x 3/4 |
| 19 | 873 90 05-00 | Nut Lock Hex Flange 5/16-18 |
| 20 | 532 18 88-47 | Bracket Pivot RH |
| 21 | 532 40 61-80 | Bag Asm CRD |
| 22 | 532 16 57-81 | Bracket Side Bagger CRD |
| 24 | 532 16 57-83 | Tube Pivot Bagger CRD |
| 25 | 532 19 37-05 | Tube Front Bagger CRD |
| 28 | 532 16 57-87 | Grip Handle Black |
| 31 | 532 16 94-84 | Retainer Clip |
| 32 | 532 12 68-75 | Rivet Rd Hd Drilled 3/8 Dia |
| 33 | 532 16 93-80 | Plug Mulch |
| 34 | 532 16 55-70 | Handle Mulcher |
| 35 | 532 16 55-72 | Pin Mulcher |
| 36 | 819 13 20-12 | Washer 13/32 x 1-1/4 x 12 Ga. |
| 37 | 532 17 54-01 | Plug Support Bagger CRD |
| 38 | 872 01 05-20 | Bolt 5/16-18 x 2-1/2 |
| 39 | 532 18 09-85 | Seal Trim 37" |
| 41 | 532 16 96-83 | Bracket Vert Adj Bagger CRD |
| 43 | 532 17 40-83 | Plug Tubing End |
| 46 | 872 11 05-10 | Bolt Carr. 5/16-18 x 1-1/4 Gr. 5 |
| 47 | 532 19 37-04 | Tube Upper Bagger |
| 49 | 532 19 33-05 | Bar Spreader Bagger |
| 50 | 873 80 05-00 | Nut Lock Hex w/Insert 5/16-18 unc |
| 51 | 532 19 99-03 | Latch Spring Bagger |
| 53 | 873 51 04-00 | Nut Keps Hex 1/4-20 unc |
| 54 | 872 14 04-06 | Bolt RDHD SQNK 1/4-20 x 3/4 Gr.5 |

NOTE: All component dimensions given in U.S. inches
1 inch = 25.4 mm