

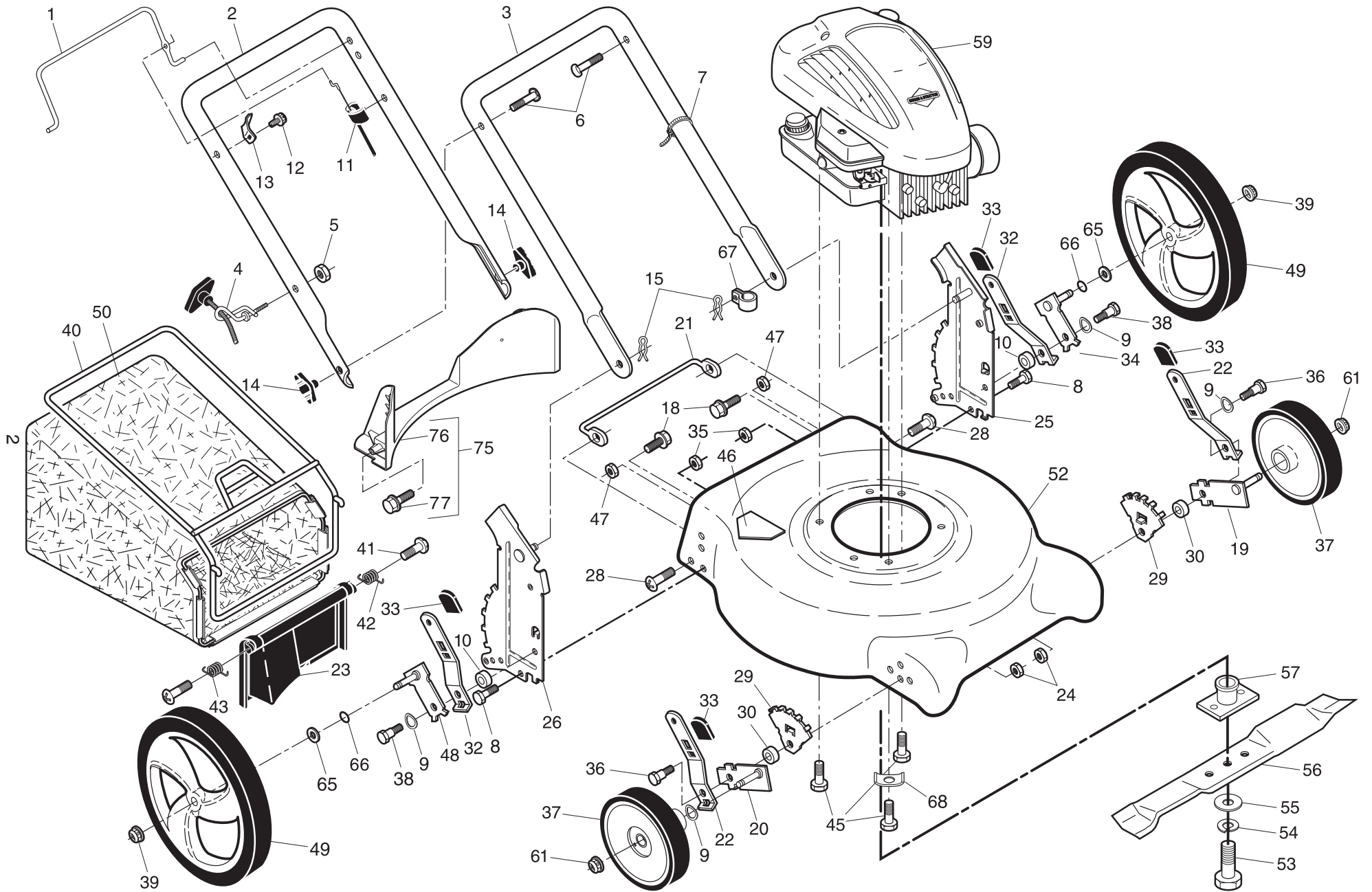
**ILLUSTRATED PARTS LIST**

**MODEL NUMBER M4053CM**

**PRODUCT NUMBER 961 31 00-19**

**MFG. ID. NUMBER 96131001902**

# ROTARY LAWN MOWER - - MODEL NUMBER M4053CM (96131001902) PRODUCT NUMBER 961 31 00-19



# ROTARY LAWN MOWER - - MODEL NUMBER M4053CM (96131001902) PRODUCT NUMBER 961 31 00-19

KEY NO.	PART NO.	DESCRIPTION	KEY NO.	PART NO.	DESCRIPTION
1	532 19 55-74	Control Bar	38	532 40 16-38	Shoulder Bolt
2	532 19 55-47	Upper Handle	39	532 40 19-49	Nut, Hex, Flangelock
3	532 17 42-91	Lower Handle	40	532 40 18-08	Frame, Grassbag
4	532 19 47-88	Rope Guide	41	532 18 41-93	Bolt
5	532 13 20-04	Locknut, Hex 1/4-20	42	532 40 54-21	Spring, Rear Door, LH
6	532 19 15-74	Handle Bolt	43	532 40 54-23	Spring, Rear Door, RH
7	532 06 64-26	Wire Tie	45	532 15 04-06	Hex Head Thread Rolling Screw 3/8-16 x 1
8	874 78 05-12	Hex Bolt 5/16-18 x 3/4	46	532 18 21-66	Danger Decal
9	532 40 16-30	Nut	47	532 75 11-53	Nut, Hex
10	532 40 16-29	Spacer	48	532 41 06-01	Axle Arm Assembly, Rear, RH
11	532 17 65-56	Engine Zone Control Cable	49	532 40 31-67	Wheel & Tire Assembly, Rear 12 x 1-3/4
12	532 75 06-34	Hex Washer Head Screw #10-24 x 1/2	50	532 40 20-24	Grassbag
13	532 12 52-03	Up-Stop Bracket	52	<b>532 41 39-00</b>	Kit, Lawn Mower Housing Assembly (Includes Key Number 46)
14	532 19 19-38	Handle Knob	53	532 85 10-84	Hex Head Screw 3/8-24 x 1-3/8 Grade 8
15	532 05 17-93	Hairpin Cotter	54	532 85 02-63	Helical Lockwasher
18	817 60 04-06	Screw 1/4-20 x 3/8	55	532 85 10-74	Hardened Washer
19	532 40 66-89	Axle Arm Assembly, Front, LH	56	532 19 93-77	21" Blade
20	532 40 66-90	Axle Arm Assembly, Front, RH	57	532 19 38-25	Blade Adapter
21	<b>532 41 35-43</b>	Footguard	59	---	Engine, Briggs & Stratton, Model Number 10E902 (Order parts from engine manufacturer)
22	532 40 64-28	Selector Spring, Front	61	532 40 91-48	Nut, Hex, Flangelock
23	532 41 06-03	Rear Door	65	532 08 83-48	Washer, Flat
24	532 16 67-85	Locknut, Hex 5/16-18	66	532 19 74-80	O-Ring
25	<b>532 41 39-60</b>	Handle Bracket Assembly, LH	67	532 19 79-91	Clip, Cable
26	<b>532 41 39-62</b>	Handle Bracket Assembly, RH	68	532 12 50-78	Washer
28	532 05 45-83	Screw	75	<b>532 41 36-93</b>	Kit, Baffle, Rear, Plastic (Includes 3 Screws)
29	532 41 05-94	Wheel Adjusting Bracket, Front	76	<b>532 41 35-89</b>	Baffle, Rear, Plastic
30	532 40 16-29	Spacer	77	<b>817 41 13-12</b>	Screw
32	532 41 05-95	Spring, Selector, Rear	--	532 18 21-91	Warning Decal (not shown)
33	532 08 78-77	Selector Knob	--	532 40 96-88	Operator's Manual, European
34	532 41 06-00	Axle Arm Assembly, Rear, LH	--	532 40 96-89	Operator's Manual, Scandinavian
35	532 16 67-85	Locknut, Hex 5/16-18			
36	532 40 16-38	Shoulder Bolt 5/16-18			
37	532 19 79-85	Wheel & Tire Assembly, Front 8 x 1-3/4			

**NOTE:** All component dimensions given in U.S. inches. 1 inch = 25.4 mm. **IMPORTANT:** Use only Original Equipment Manufacturer (O.E.M.) replacement parts. Failure to do so could be hazardous, damage your lawn mower and void your warranty.