

brand	MC CULLOCH
-------	-------------------

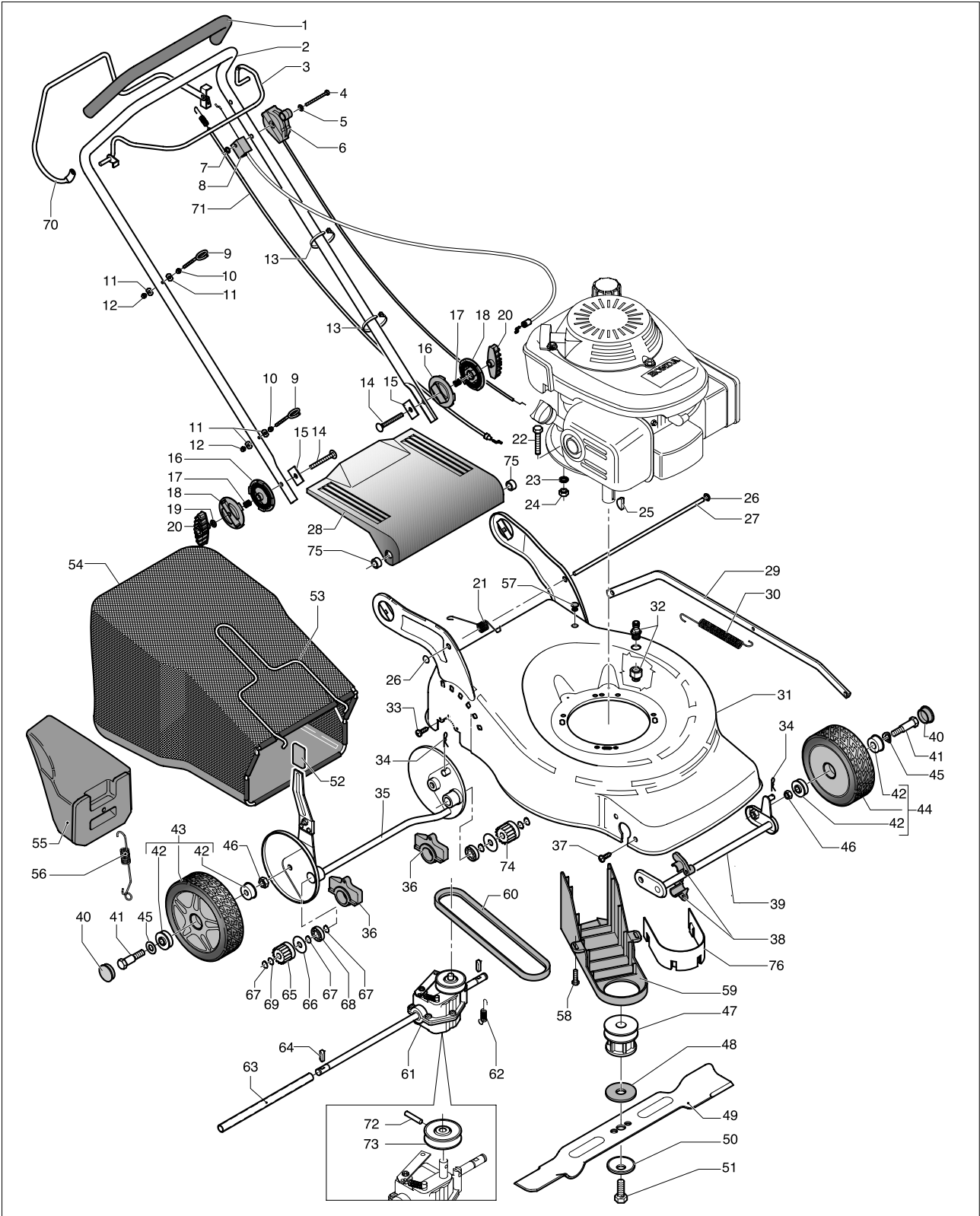
date	FEB/03	SHEET 1/3
------	--------	-----------

Model

M 4553 SDX

Product number

953878339



brand	MC CULLOCH
-------	------------

ELECTROLUX OUTDOOR PRODUCTS

date	FEB/03	SHEET 2/3
------	--------	-----------

Model

M 4553 SDX

Product number

953878339

Pos.	PN ELX	PN MEP	DESCRIPTION	Q.ty	NOTE
1	531205989	10146243	sheating	1	mm.600
2	531211438	10172933	handle	1	
3	531211452	10135891	brake handle	1	
4	531206212	10155420	screw	1	TE M5x60 UNI 5737-8.8 MF
5	531206666	10284700	washer	1	5/15/1,5 ZB
6	531205096	10121010	accelerator	1	
7	531205213	10121890	nut	1	M5 DIN 6923
8	531205813	10140950	cable	1	(1130-152)
9	531205169	10121470	cable hook	2	
10	531204961	10115900	washer	4	6,5E
11	531207165	10501200	nut	2	M6 H6 UNI 5587-6S-ZB
12	531208491	20281800	nut	2	M6 H8 UNI7473-ZB
13	531205581	10135600	clamp	2	160X4,5
14	531211480	10173060	screw	2	TTSQ M8x55 TF ZB
15	531211581	10173103	plate	2	
16	531211473	10173003	disk	2	
17	531211476	10173033	spring	2	
18	531211474	10173013	disk	2	
19	531204922	10114200	washer	2	8x16x1,5 ZB
20	531205840	10141253	knop	2	8M
21	531206180	10155190	spring	1	
22	531207044	10390800	screw	3	TE M8x40 UNI 5737-8,8-ZB
23	531207981	20106200	washer	6	D,8E DIN 6798
24	531207982	20106300	nut	3	M8 H8 UNI 5587-6S ZB
25	531204907	10100900	key	1	4x6,5 UNI6606 WODRUF
26	531210824	10175400	washer	2	8E STARBLOC
27	531205731	10140190	tie rod	1	
28	531205485	10135071	deflector	1	
29	531206171	10155063	rod	1	
30	531206173	10155073	spring	1	
31	531211445	10155541	deck	1	
32	531205848	10141313	complete connection	1	D.1/2"
33	531208216	20135720	screw	2	TCTC 2F D.5x16 AC
34	531206653	10281400	cotter pin	2	1,8 x 33
35	531206178	10155150	axle	1	
36	531205944	10146093	support	2	
37	531208844	20734900	screw	4	TCTC 4,3x16 FIX ZB
38	531205057	10120473	support	4	
39	531205051	10120290	axle	1	
40	531210538	10114801	plug	4	
41	531205042	10120090	screw	4	
42	531205214	10121900	ball-bearing	4	
43	531210726	9175101	wheel	2	D.210/26
44	531210703	9175111	wheel	2	D.170/26
45	531206644	10275100	washer	4	UNI 8840-B12(13/24/0,8
46	531207978	20101700	nut	4	M10 H8 UNI 5588-6S ZB
47	531206169	10155040	blade adapter	1	

brand	MC CULLOCH
-------	------------

Model

M 4553 SDX

ELECTROLUX OUTDOOR PRODUCTS

date	FEB/03	SHEET 3/3
------	--------	-----------

Product number

953878339

Pos.	PN ELX	PN MEP	DESCRIPTION	Q.ty	NOTE
48	531207243	10531700	washer	1	17,2x50x1,5+0,1
49	531211028	10175480	blade	1	
50	531207237	10530900	washer	1	11x50x2,5
51	531208008	20120580	screw	1	TE 3/8 UNFx37-8,8 1/2F ZB
52	531207986	20107203	sheating	1	
53	531211448	10141673	bag frame	1	
54	531211520	10141743	scarifier	1	
55	531210616	10155470	plug	1	
56	531211191	10155480	spring	1	
57	531205557	10135413	cable lock	1	
58	531207856	10831800	screw	3	TEFR 5x10 ZB
59	531206175	10155083	belt housing	1	
60	531206176	10155100	belt	1	Z29 1/2 (10X750) 3L310
61	531204758	9767800	gear-box	1	
62	531206182	10155210	spring	1	
63	531207697	10766503	spacer tube	1	13 X272X0,75SP
64	531205108	10121160	key	2	"S" 5x5(-0,05)x19,2 DIAG
65	531205045	10120160	pinion	1	DX
66	531207847	10831200	washer	2	D.12/34/0,7 ZB
67	531208772	20655800	seeger	6	D.12E DIN 471
68	531208778	20657600	ball-bearing	2	D.12/28/8 6001/2RS
69	531208859	20761300	washer	2	D.12,4x17x0,3
70	531205616	10135883	clutch handle	1	
71	531211847	10173110	cable	1	
74	531205046	10120170	pinion	1	SX
75	531211966	10155560	spacer	2	
76	531206031	10146690	safety housing	1	