

CONSUMER PRODUCT

EIPL2007_V240000001

| BRAND | MODEL | PnC |
|-----------|---------------|-----------|
| FLYMO | QS 46SD | 953878031 |
| MCCULLOCH | M 46SD | 953878099 |
| PARTNER | P46SD | 962000034 |
| FLYMO | Q 4546SD (07) | 962000052 |
| MCCULLOCH | M 3546SD (07) | 962000103 |
| MCCULLOCH | M 4046SD (07) | 962000111 |
| PARTNER | P 3546SD (07) | 962000114 |
| PARTNER | P 4046SD (07) | 962000117 |
| FLYMO | Q 46SD (07) | 962000121 |
| MCCULLOCH | M 4546SD (07) | 962000138 |
| PARTNER | P 4546SD (07) | 962000171 |

Spare parts

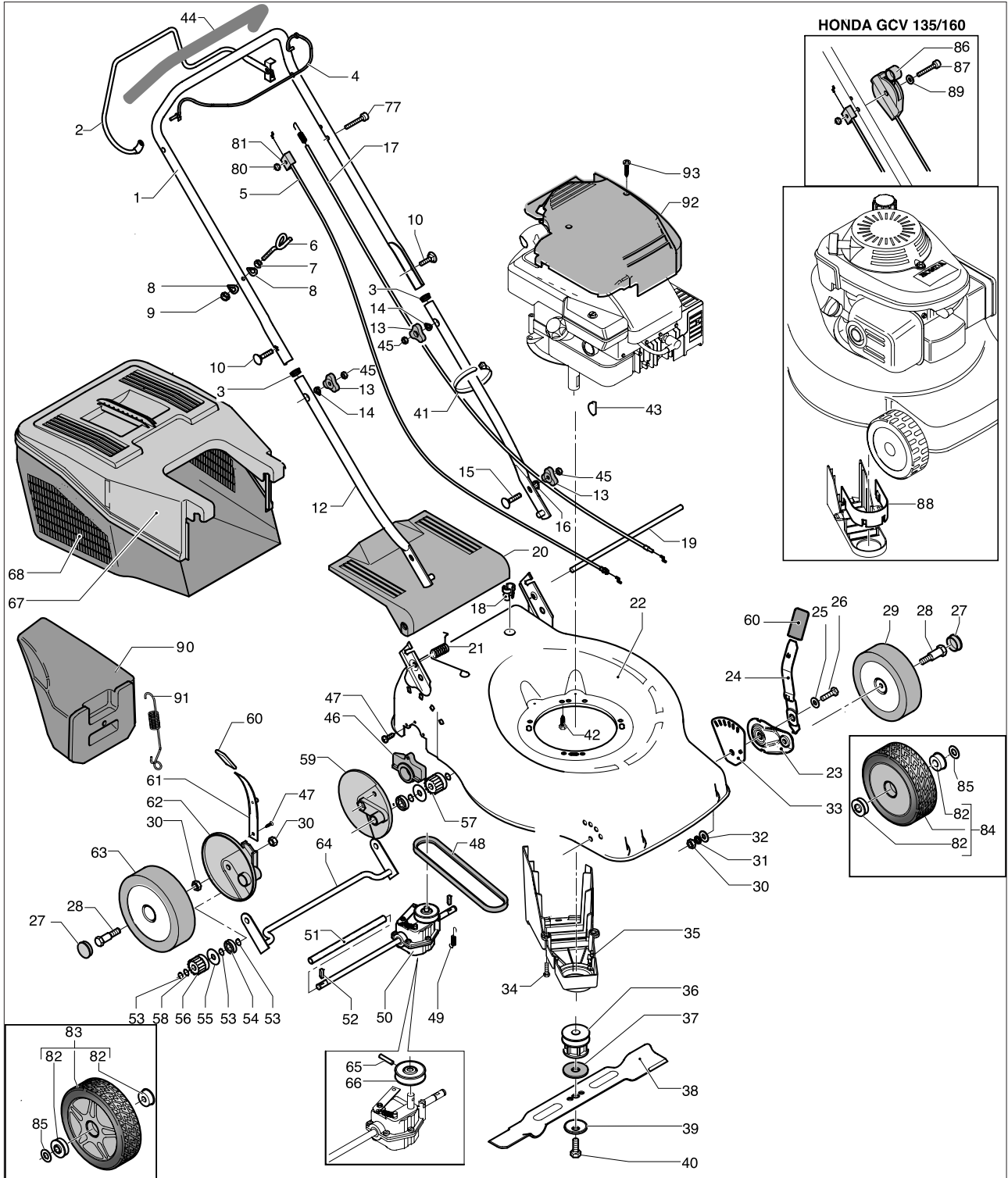
Ersatzteile

Pièces détachées

Reserve onderdelen

Repuestos

Reservdelar



| Pos. | P/n° | DESCRIPTION | Q.ty | Pos. | P/n° | DESCRIPTION | Q.ty |
|------|-----------|---------------------------|------|------|-----------|-------------------------------|------|
| 1 | 531205204 | UPPER HANDLE | 1 | 42 | 531205196 | SCREW | 3 |
| 2 | 531205208 | CLUTCH HANDLE | 1 | 43 | 531204907 | KEY | 1 |
| 3 | 531208950 | PLUG | 2 | 44 | 531205989 | SHEATING | 1 |
| 4 | 531205168 | BRAKE HAND. Black | 1 | 45 | 531212851 | NUT | 7 |
| 4 | 531212668 | BRAKE HAND. Orange | 1 | 46 | 531205944 | SUPPORT | 2 |
| 4 | 531211429 | BRAKE HAND. Yellow | 1 | 47 | 531208216 | SCREW | 3 |
| 5 | 531213434 | CABLE | 1 | 48 | 531207280 | BELT | 1 |
| 6 | 531205169 | CABLE HOOK | 1 | 49 | 531205216 | SPRING | 1 |
| 7 | 531207165 | NUT | 1 | 50 | 531213047 | GEAR-BOX | 1 |
| 8 | 531204961 | WASHER | 2 | 51 | 531207697 | SPACER TUBE | 1 |
| 9 | 531208491 | NUT | 1 | 52 | 531205108 | KEY | 2 |
| 10 | 531207089 | SCREW | 2 | 53 | 531208772 | SEEGER | 6 |
| 12 | 531206071 | LOWER HANDLE | 2 | 54 | 531208778 | BALL-BEARING | 2 |
| 13 | 531204923 | KNOP | 4 | 55 | 531207847 | WASHER | 2 |
| 14 | 531207090 | WASHER | 2 | 56 | 531205045 | PINION | 1 |
| 15 | 531204921 | SCREW | 2 | 57 | 531205046 | PINION | 1 |
| 16 | 531204922 | WASHER | 2 | 58 | 531208859 | WASHER | 2 |
| 17 | 531206191 | CABLE | 1 | 59 | 531205195 | FLANGE | 1 |
| 18 | 531205557 | CABLE LOCK | 1 | 60 | 531207986 | SHEATING | 1 |
| 19 | 531205060 | TIE ROD | 1 | 61 | 531212580 | CLEVER | 1 |
| 20 | 531212541 | DEFL. Yellow | 1 | 62 | 531205194 | FLANGE | 1 |
| 20 | 531212541 | DEFL. Orange | 1 | 63 | 531210535 | WHEEL Ø 190 Yellow | 2 |
| 21 | 531205999 | SPRING | 1 | 63 | 531205623 | WHEEL Ø 210 Yellow | 2 |
| 22 | 531213893 | DECK Yellow | 1 | 64 | 540068601 | AXLE | 1 |
| 22 | 531213896 | DECK Grey | 1 | 65 | 531207703 | RESILIENT PIN | 1 |
| 23 | 544452301 | SUPPORT | 2 | 66 | 531208899 | PULLEY | 1 |
| 24 | 544452501 | C LEVER | 2 | 67 | 531208296 | GRASS C. UPPER | 1 |
| 25 | 531206020 | WASHER | 2 | 68 | 531208313 | GRASS C. BOTTOM | 1 |
| 26 | 531204912 | SCREW | 2 | 77 | 531206346 | SCREW | 1 |
| 27 | 531204936 | PLUG- Grey | 4 | 80 | 531205213 | NUT | 1 |
| 27 | 531210795 | PLUG- Orange | 4 | 81 | 531205191 | CABLE | 1 |
| 27 | 531210538 | PLUG- Yellow | 4 | 82 | 531213828 | BALL-BEARING | 8 |
| 28 | 531205042 | SCREW | 4 | 83 | 531212634 | WHEEL"star"Ø190 Orange | 2 |
| 29 | 531205029 | WHEEL Ø 170 Yellow | 2 | 83 | 531210613 | WHEEL"star"Ø190 Yellow | 2 |
| 29 | 531210535 | WHEEL Ø 190 Yellow | 2 | 84 | 531212635 | WHEEL"star"Ø170 Orange | 2 |
| 30 | 531207978 | NUT | 10 | 84 | 531210703 | WHEEL"star"Ø170 Yellow | 2 |
| 31 | 531208974 | WASHER | 4 | 85 | 531206644 | WASHER | 4 |
| 32 | 531207989 | WASHER | 2 | 86 | 531206030 | ACCELERATOR Honda | 1 |
| 33 | 544452201 | SUPPORT | 2 | 87 | 531206212 | SCREW | 1 |
| 34 | 531207856 | SCREW | 3 | 88 | 504056601 | HOUSING | 1 |
| 35 | 544462201 | BELT HOUSING | 1 | 89 | 531206666 | WASHER | 1 |
| 36 | 531205048 | BLADE ADAPTER | 1 | 90 | 531210617 | MULCHING PLUG | 1 |
| 37 | 531207243 | WASHER | 1 | 91 | 531211184 | SPRING | 1 |
| 38 | 531211017 | BLADE | 1 | 92 | 531212431 | ENGINE Orange | 1 |
| 39 | 531207237 | WASHER | 1 | 92 | 531212406 | ENGINE HOUSING Yellow | 1 |
| 40 | 531208008 | SCREW | 1 | 93 | 531212710 | SCREW | 2 |
| 41 | 531205581 | CLAMP | 2 | | | | |