

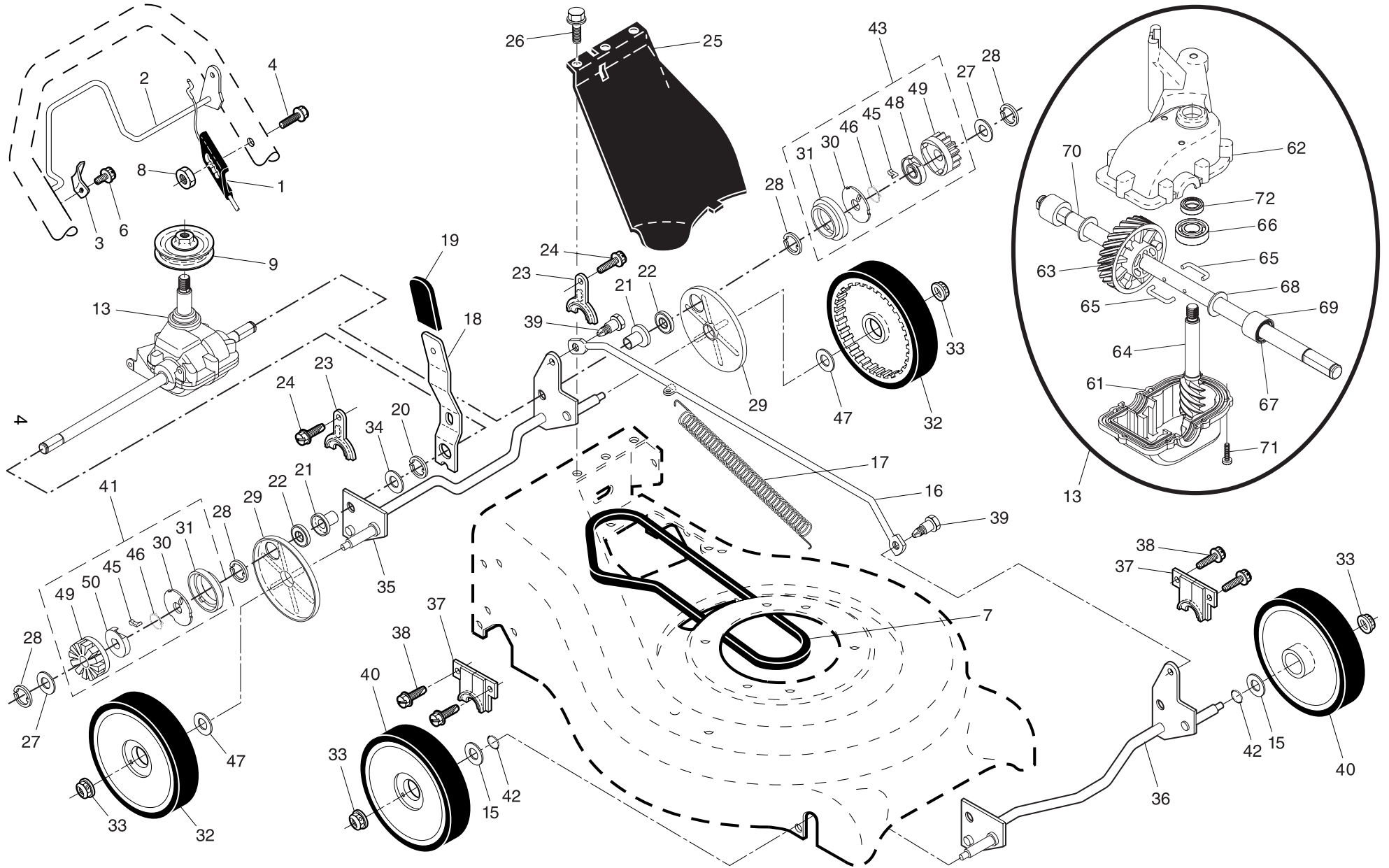
**ILLUSTRATED PARTS LIST**

**MODEL NUMBER M553CM**

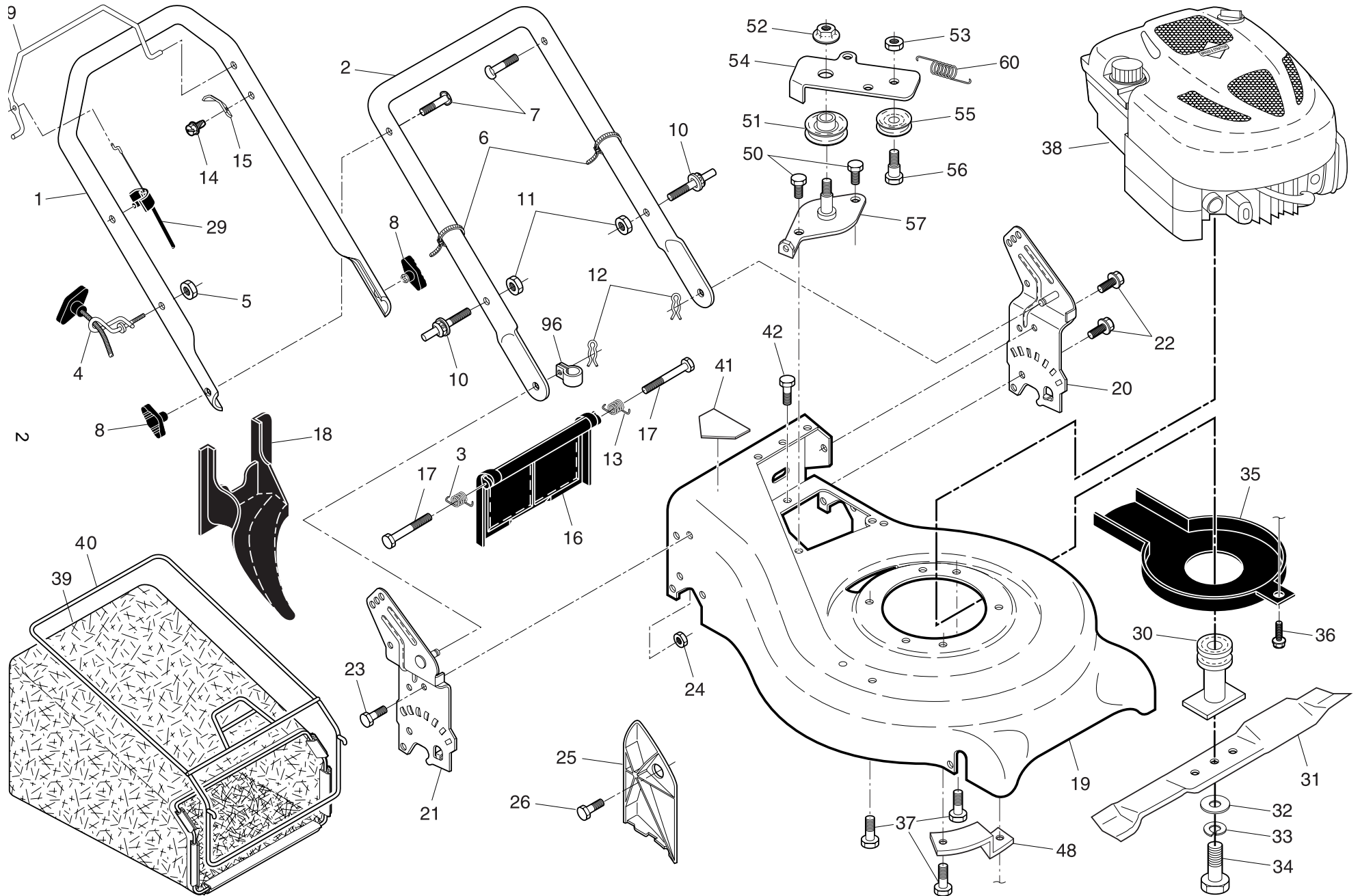
**PRODUCT NUMBER 961 41 01-11**

**MFG. ID. NUMBER 96141011101**

# ROTARY LAWN MOWER - - MODEL NUMBER M553CM (96141011101) PRODUCT NUMBER 961 41 01-11



# ROTARY LAWN MOWER - - MODEL NUMBER M553CM (96141011101) PRODUCT NUMBER 961 41 01-11



# ROTARY LAWN MOWER - - MODEL NUMBER M553CM (96141011101) PRODUCT NUMBER 961 41 01-11

| KEY NO. | PART NO.     | DESCRIPTION                                  | KEY NO. | PART NO.     | DESCRIPTION   |
|---------|--------------|--|---------|--------------|---|
| 1       | 532 17 80-67 | Handle, Upper, Deluxe Comfort                | 31      | 532 19 93-77 | Blade, 21"  |
| 2       | 532 19 60-05 | Handle, Lower                                | 32      | 532 85 10-74 | Washer, Hardened  |
| 3       | 532 40 54-16 | Spring, Rear Door, RH                        | 33      | 532 85 02-63 | Lockwasher, Helical Spring 3/8  |
| 4       | 532 19 47-88 | Guide, Rope, Side                            | 34      | 532 85 10-84 | Screw, Hex Head 3/8-24 x 1.38   |
| 5       | 532 13 20-04 | Nut, Hex, with Lockwasher Insert 1/4-20      | 35      | 532 18 87-86 | Shield, Debris  |
| 6       | 532 06 64-26 | Wire, Tie                                    | 36      | 532 19 23-25 | Screw   |
| 7       | 532 19 15-74 | Bolt, Handle 5/16-18 x 1.75                  | 37      | 532 15 04-06 | Bolt, Engine  |
| 8       | 532 19 19-38 | Knob, Handle                                 | 38      | - - -        | Engine, Briggs & Stratton, Model No. 12F802<br>(Order parts from engine manufacturer) |
| 9       | 532 19 18-19 | Bail, Control, Wire, Deluxe Comfort, Black   | 39      | 532 41 06-76 | Bag, Grass Catcher  |
| 10      | 532 18 88-21 | Bolt, Carriage                               | 40      | 532 40 74-53 | Frame, Grass Bag  |
| 11      | 532 75 11-53 | Nut, Hex, with Lockwasher Insert 5/16-18 UNC | 41      | 532 18 21-66 | Decal Danger  |
| 12      | 532 05 17-93 | Cotter, Hairpin                              | 42      | 532 05 45-83 | Screw, Self Tapping   |
| 13      | 532 40 54-15 | Spring, Rear Door, LH                        | 48      | 532 19 09-39 | Mounting Bracket, Debris Shield   |
| 14      | 532 12 51-62 | Bracket, Upstop                              | 49      | 532 16 60-43 | Idler Pulley  |
| 15      | 532 75 06-34 | Screw, Tapping, Hex Washer Head #10-24       | 50      | 532 05 78-08 | Screw   |
| 16      | 532 40 88-88 | Rear Door Assembly                           | 51      | 532 19 37-91 | Pulley, Idler   |
| 17      | 532 18 41-93 | Bolt, Rear Door                              | 52      | 532 14 52-12 | Nut, Hex  |
| 18      | 532 19 81-70 | Plug, Mulcher                                | 53      | 532 15 55-52 | Nut, Hex  |
| 19      | 532 40 97-11 | Kit, Lawn Mower Housing Assembly             | 54      | 532 19 68-12 | Idler Arm   |
| 20      | 532 19 40-29 | Handle Bracket Assembly, LH                  | 56      | 532 16 08-29 | Bolt  |
| 21      | 532 19 40-31 | Handle Bracket Assembly, RH                  | 57      | 532 19 33-15 | Idler Bracket   |
| 22      | 532 15 00-78 | Screw, Hex Washer Head                       | 60      | 532 18 22-26 | Spring, Return  |
| 23      | 532 16 31-83 | Bolt, Hex Head 5/16-18 x 5/8                 | 96      | 532 19 79-91 | Clip, Cable   |
| 24      | 873 80 05-00 | Nut, Hex, with Lockwasher Insert 5/16-18     | - -     | 532 18 21-34 | Warning Decal (not shown)   |
| 25      | 532 16 13-33 | Baffle, Side                                 | - -     | 532 40 97-05 | Operator's Manual, European   |
| 26      | 532 16 34-09 | Screw #12 x 5/8                              | - -     | 532 40 97-06 | Operator's Manual, Scandinavian   |
| 29      | 532 19 12-21 | Cable, Operator Presence                     | - -     | 532 40 97-07 | Operator's Manual, East Bloc  |
| 30      | 532 18 91-79 | Blade Adapter / Pulley                       | - -     | 532 40 97-08 | Operator's Manual, Baltic   |

**NOTE:** All component dimensions given in U.S. inches. 1 inch = 25.4 mm

**IMPORTANT:** Use only Original Equipment Manufacturer (O.E.M.) replacement parts. Failure to do so could be hazardous, damage your lawn mower and void your warranty.

# ROTARY LAWN MOWER - - MODEL NUMBER M553CM (96141011101) PRODUCT NUMBER 961 41 01-11

| KEY NO. | PART NO.            | DESCRIPTION                               | KEY NO. | PART NO.     | DESCRIPTION                        |
|---------|---------------------|---|---------|--------------|------------------------------------|
| 1       | 532 40 98-95        | Cable, Drive                              | 34      | 532 85 12-26 | Washer                             |
| 2       | 532 16 14-73        | Bail, Control, Drive                      | 35      | 532 41 09-22 | Shaft Assembly, Rear               |
| 3       | 532 16 45-57        | Bracket, Downstop                         | 36      | 532 41 09-33 | Shaft Assembly, Front              |
| 4       | 532 19 96-87        | Screw                                     | 37      | 532 16 14-63 | Retainer, Front Shaft              |
| 6       | 532 75 06-34        | Screw, Tapping, Hex Washer Head #10-24    | 38      | 532 16 34-09 | Screw, Hi-Lo Thread #12 x 5/8      |
| 7       | 532 18 22-12        | V-Belt                                    | 39      | 532 40 70-59 | Bolt, Shoulder, Semi-Gimlett Point |
| 8       | 532 19 17-30        | Nut, Hex                                  | 40      | 532 41 09-21 | Wheel & Tire Assembly, Front 8 x 2 |
| 9       | 532 19 41-28        | Pulley, Driven                            | 41      | 532 18 83-30 | Pinion Asm., RH                    |
| 13      | 532 18 86-45        | Gearcase Assembly, Complete               | 42      | 532 19 74-80 | O-Ring                             |
| 15      | 532 08 83-48        | Washer, Flat 3/8                          | 43      | 532 18 83-31 | Pinion Asm., LH                    |
| 16      | 532 40 71-47        | Rod, Connecting                           | 45      | 532 17 50-98 | Drive Pawl                         |
| 17      | 532 16 16-02        | Spring, Extension                         | 46      | 532 18 82-91 | Spring Torsion                     |
| 18      | 532 19 61-62        | Spring, Selector                          | 47      | 532 06 77-25 | Washer 1/2 x 1-1/2 x .134          |
| 19      | 532 19 00-69        | Knob, Selector Spring                     | 48      | 532 17 51-05 | Retainer Dr., LH                   |
| 20      | 812 00 00-22        | E-Ring 7/8                                | 49      | 532 17 51-03 | Gear                               |
| 21      | 532 16 33-65        | Bearing Support                           | 50      | 532 17 51-02 | Retainer Dr., RH                   |
| 22      | 532 16 99-11        | Bearing, Ball                             | 61      | 532 18 75-30 | Case, Lower                        |
| 23      | 532 16 45-55        | Retainer, Drive Assembly                  | 62      | 532 18 75-31 | Case, Lower                        |
| 24      | 532 05 78-08        | Screw, Tapping, Hex Head 1/4-20 x .75     | 63      | 532 18 75-32 | Gear, 24 Teeth                     |
| 25      | 532 40 07-83        | Cover, Drive                              | 64      | 532 18 75-33 | Shaft, Input                       |
| 26      | 532 75 06-34        | Screw, Threaded, Rolled #10-25 x .50      | 65      | 532 18 35-05 | Wire, Formed                       |
| 27      | <b>532 06 77-25</b> | Washer, Shim (as needed)                  | 66      | 532 18 35-06 | Bearing, Ball                      |
| 28      | 812 00 00-58        | E-Ring 7/16                               | 67      | 532 18 35-08 | Seal, Output Shaft                 |
| 29      | 532 18 94-03        | Cover, Dust, Wheel                        | 68      | 532 18 35-09 | Washer                             |
| 30      | 532 17 51-04        | Disc Drive                                | 69      | 532 18 35-11 | Bushing                            |
| 31      | 532 18 41-72        | Seal Friction                             | 70      | 532 19 12-49 | Shaft, Output                      |
| 32      | 532 40 29-36        | Wheel & Tire Assembly, Rear, Driven 9 x 2 | 71      | 532 18 35-13 | Screw                              |
| 33      | 532 08 39-23        | Nut, Hex, Flangelock                      | 72      | 532 18 35-14 | Seal, Input Shaft                  |

5

**NOTE:** All component dimensions given in U.S. inches. 1 inch = 25.4 mm

**IMPORTANT:** Use only Original Equipment Manufacturer (O.E.M.) replacement parts. Failure to do so could be hazardous, damage your lawn mower and void your warranty.